



US00D688742S

(12) **United States Design Patent**
Kim et al.

(10) **Patent No.:** **US D688,742 S**

(45) **Date of Patent:** **** Aug. 27, 2013**

(54) **PRINTER**

(75) Inventors: **Min-Chul Kim**, Seoul (KR); **Jong-Kyu Kim**, Seoul (KR); **Seung-Wook Jeong**, Seoul (KR)

(73) Assignee: **Samsung Electronics Co., Ltd.**, Suwon, Kyunggi-do (KR)

(**) Term: **14 Years**

(21) Appl. No.: **29/415,211**

(22) Filed: **Mar. 8, 2012**

(30) **Foreign Application Priority Data**

Oct. 5, 2011 (KR) 30-2011-0041179

(51) **LOC (9) Cl.** **14-02**

(52) **U.S. Cl.**
USPC **D18/55**

(58) **Field of Classification Search**
USPC D18/36-37, 50, 54, 54.1, 55; D14/452-425, D14/463-470; 400/613, 613.1-613.4, 690, 400/690.1-690.4, 691-694
See application file for complete search history.

(56) **References Cited**

U.S. PATENT DOCUMENTS

D326,867 S	6/1992	Kwak	
D359,506 S	6/1995	Lee	
D378,218 S	2/1997	Hong et al.	
D527,045 S	8/2006	Lim et al.	
D530,737 S	10/2006	Lim et al.	
D532,043 S	11/2006	Park et al.	
D536,372 S	2/2007	Lim et al.	
D550,279 S *	9/2007	Tani D18/50
D551,700 S	9/2007	Park et al.	
D552,170 S	10/2007	Kim et al.	
D555,195 S	11/2007	Park et al.	
D555,722 S	11/2007	Bae et al.	
D556,253 S	11/2007	Hong et al.	

D556,822 S	12/2007	Hong et al.
D558,261 S	12/2007	Hong et al.
D558,262 S	12/2007	Hong et al.
D558,820 S	1/2008	Hong et al.
D561,248 S	2/2008	Lee et al.
D561,824 S	2/2008	Park et al.
D562,378 S	2/2008	Kim et al.
D573,178 S	7/2008	Lee et al.
D573,179 S	7/2008	Bae et al.
D580,483 S	11/2008	Park et al.
D581,976 S	12/2008	Park et al.
D584,344 S	1/2009	Lee et al.
D584,347 S	1/2009	Hong et al.

(Continued)

OTHER PUBLICATIONS

U.S. Appl. No. 29/404,389, Applicant: Kyong-Hwan Kim et al., filed Oct. 20, 2011 entitled Printer With Functions of Copy Machine, Scanner and Fax Machine, allowed.

(Continued)

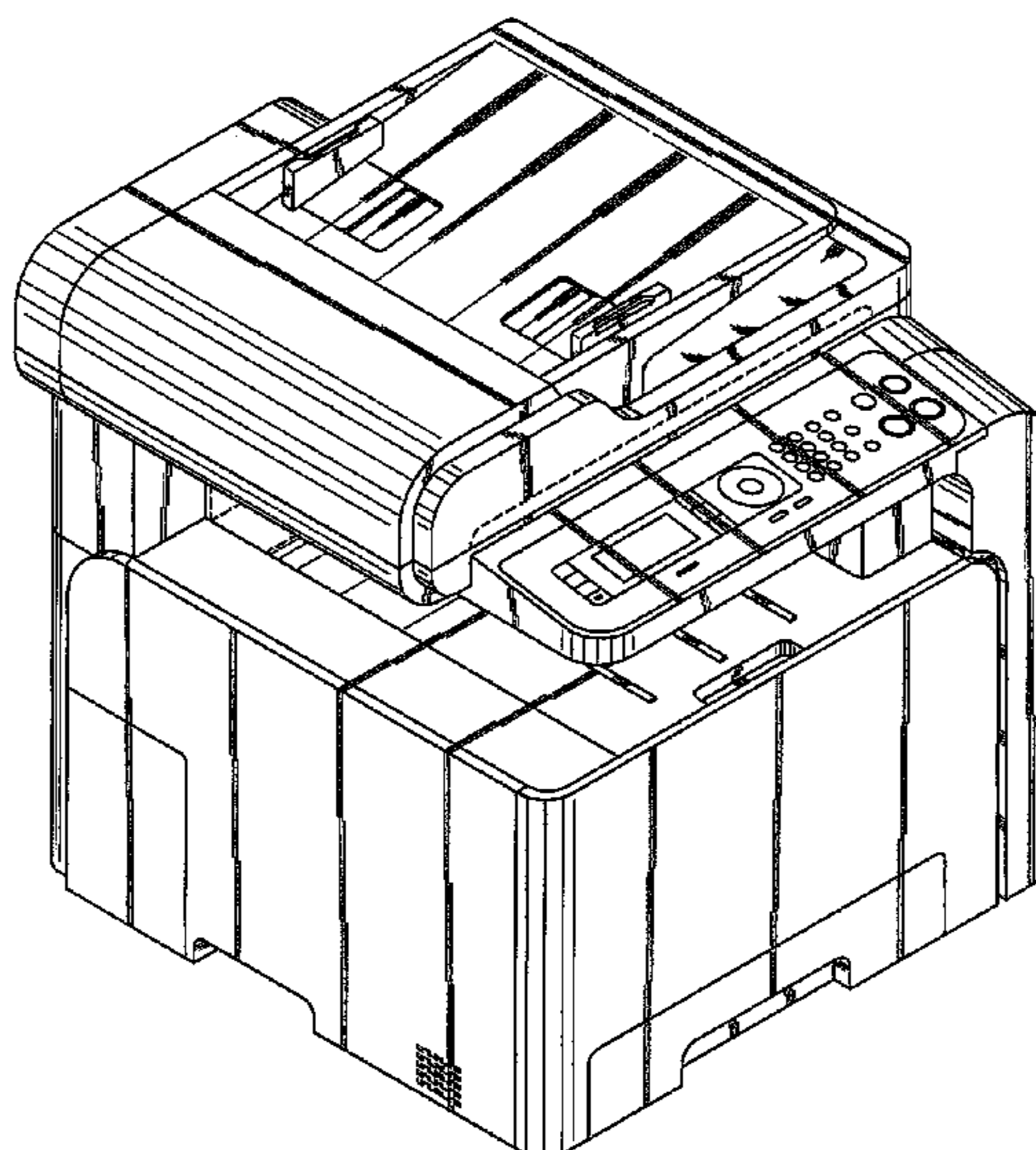
Primary Examiner — Cathy A MacCormac
(74) *Attorney, Agent, or Firm* — Flynn, Thiel, Boutell & Tanis, P.C.

(57) **CLAIM**
The ornamental design for a printer, as shown and described.

DESCRIPTION

FIG. 1 is a top front perspective view of a printer showing our new design;
FIG. 2 is a front elevational view thereof;
FIG. 3 is a rear elevational view thereof;
FIG. 4 is a left side elevational view thereof;
FIG. 5 is a right side elevational view thereof;
FIG. 6 is a top plan view thereof; and,
FIG. 7 is a bottom plan view thereof.
The broken lines depict environmental subject matter only and form no part of the claimed design.

1 Claim, 7 Drawing Sheets



(56)

References Cited

U.S. PATENT DOCUMENTS

D584,348 S 1/2009 Boo et al.
 D586,385 S 2/2009 Kim et al.
 D589,084 S * 3/2009 Suzuki et al. D18/36
 D593,149 S 5/2009 Park et al.
 D601,185 S 9/2009 Kim et al.
 D601,186 S 9/2009 Kim et al.
 D607,502 S 1/2010 Lee et al.
 D607,506 S 1/2010 Kim et al.
 D607,925 S 1/2010 Morrison et al.
 D607,927 S 1/2010 Kim et al.
 D607,928 S 1/2010 Kim et al.
 D621,441 S 8/2010 Kim
 D622,761 S 8/2010 Kim et al.
 D624,956 S 10/2010 Park et al.
 D624,957 S 10/2010 Park et al.
 D626,588 S 11/2010 Kim et al.
 D632,732 S 2/2011 Park et al.
 D633,139 S 2/2011 Park et al.
 D633,556 S 3/2011 Park et al.
 D634,359 S 3/2011 Park et al.
 D641,038 S 7/2011 Park et al.
 D641,393 S 7/2011 Kim et al.
 D641,395 S 7/2011 Park et al.
 D641,396 S 7/2011 Park et al.
 D641,397 S 7/2011 Kim et al.
 D641,398 S 7/2011 Kim et al.

D641,778 S 7/2011 Lee et al.
 D643,874 S 8/2011 Kim et al.
 D645,078 S 9/2011 Kim et al.
 D647,130 S 10/2011 Kim et al.
 D647,131 S 10/2011 Park et al.
 D647,132 S 10/2011 Kim et al.
 D667,488 S * 9/2012 Inoue et al. D18/55

OTHER PUBLICATIONS

U.S. Appl. No. 29/404,391, Applicant: Kyong-Hwan Kim et al., filed Oct. 20, 2011 entitled Printer With Functions of Copy Machine and Scanner, allowed.
 U.S. Appl. No. 29/404,392, Applicant: Kyong-Hwan Kim et al., filed Oct. 20, 2011 entitled Laser Printer, allowed.
 U.S. Appl. No. 29/404,393, Applicant: Kyong-Hwan Kim et al., filed Oct. 20, 2011 entitled Laser Printer, allowed.
 U.S. Appl. No. 29/404,398, Applicant: Kyong-Hwan Kim et al., filed Oct. 20, 2011 entitled Printer With Functions of Copy Machine, Scanner and Fax Machine, allowed.
 U.S. Appl. No. 29/404,388, Applicant: Kyong-Hwan Kim et al., filed Oct. 20, 2011 entitled Printer With Functions of Copy Machine and Fax Machine, allowed.
 U.S. Appl. No. 29/415,218, Applicant: Jong-Kyu Kim, et al., filed Mar. 8, 2012 entitled Printer, pending.
 U.S. Appl. No. 29/415,216, Applicant: Jong-Kyu Kim, et al., filed Mar. 8, 2012 entitled Printer, pending.

* cited by examiner

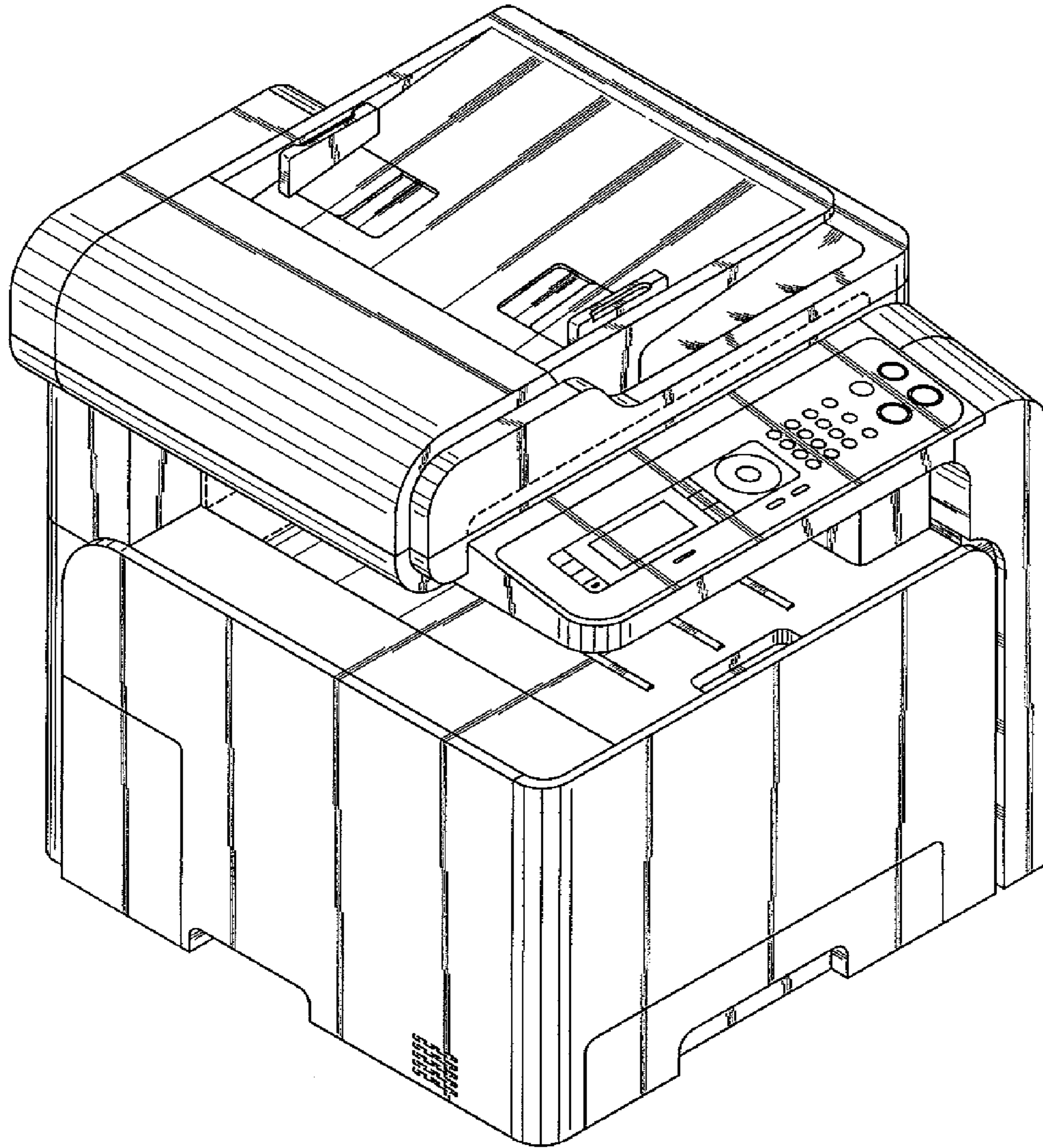


FIG.1

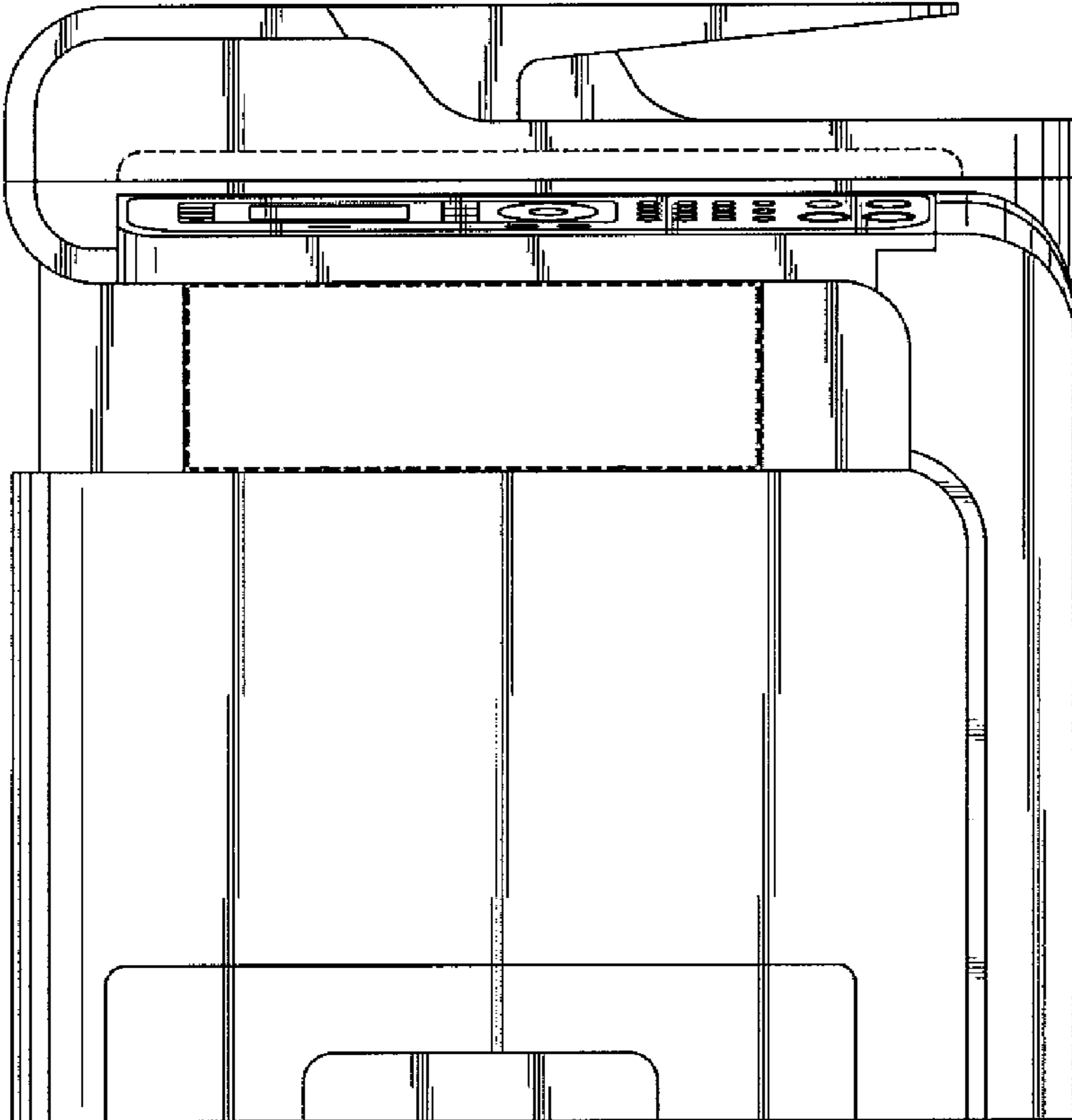


FIG.2

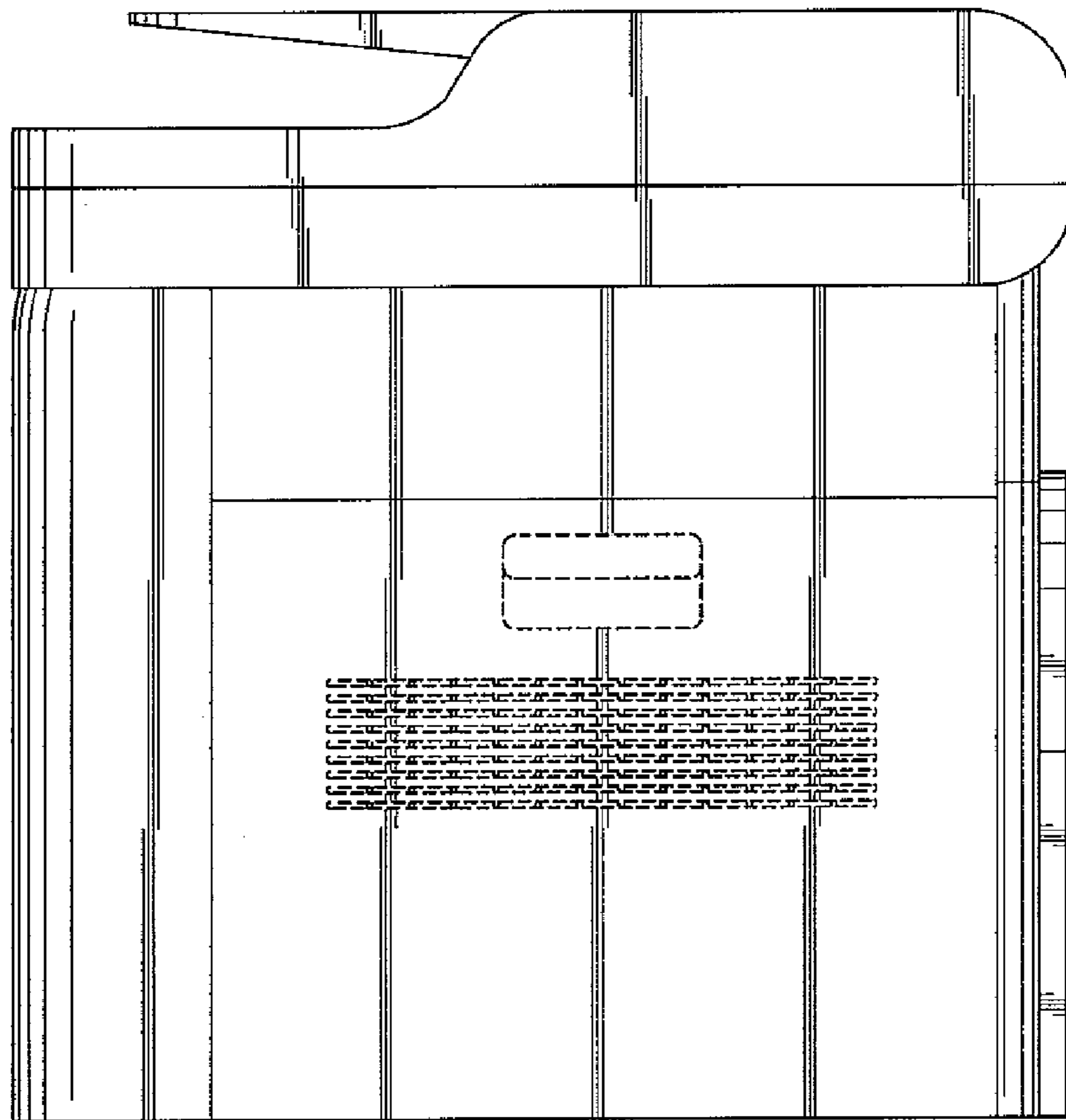


FIG.3

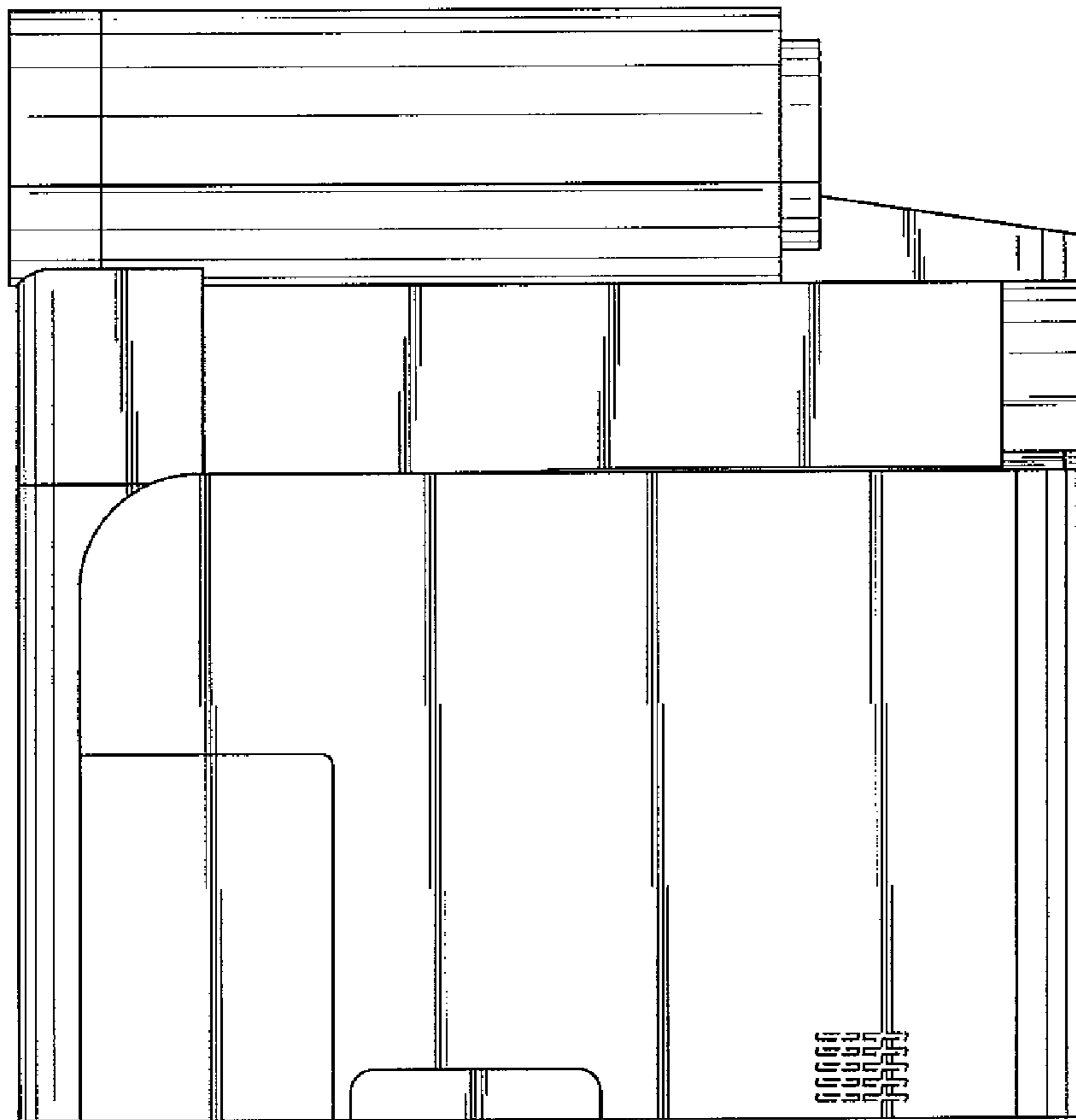


FIG.4

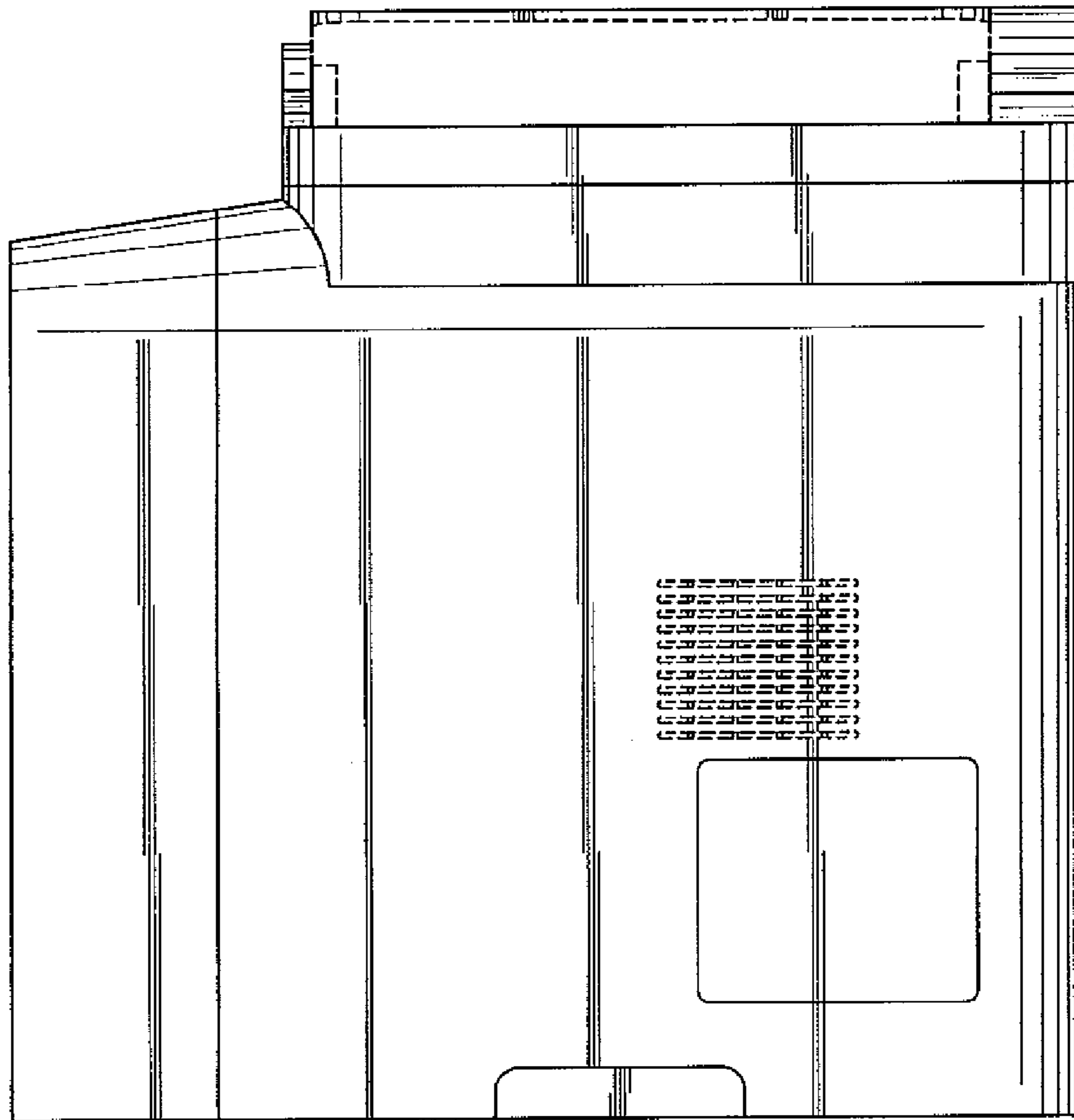


FIG.5

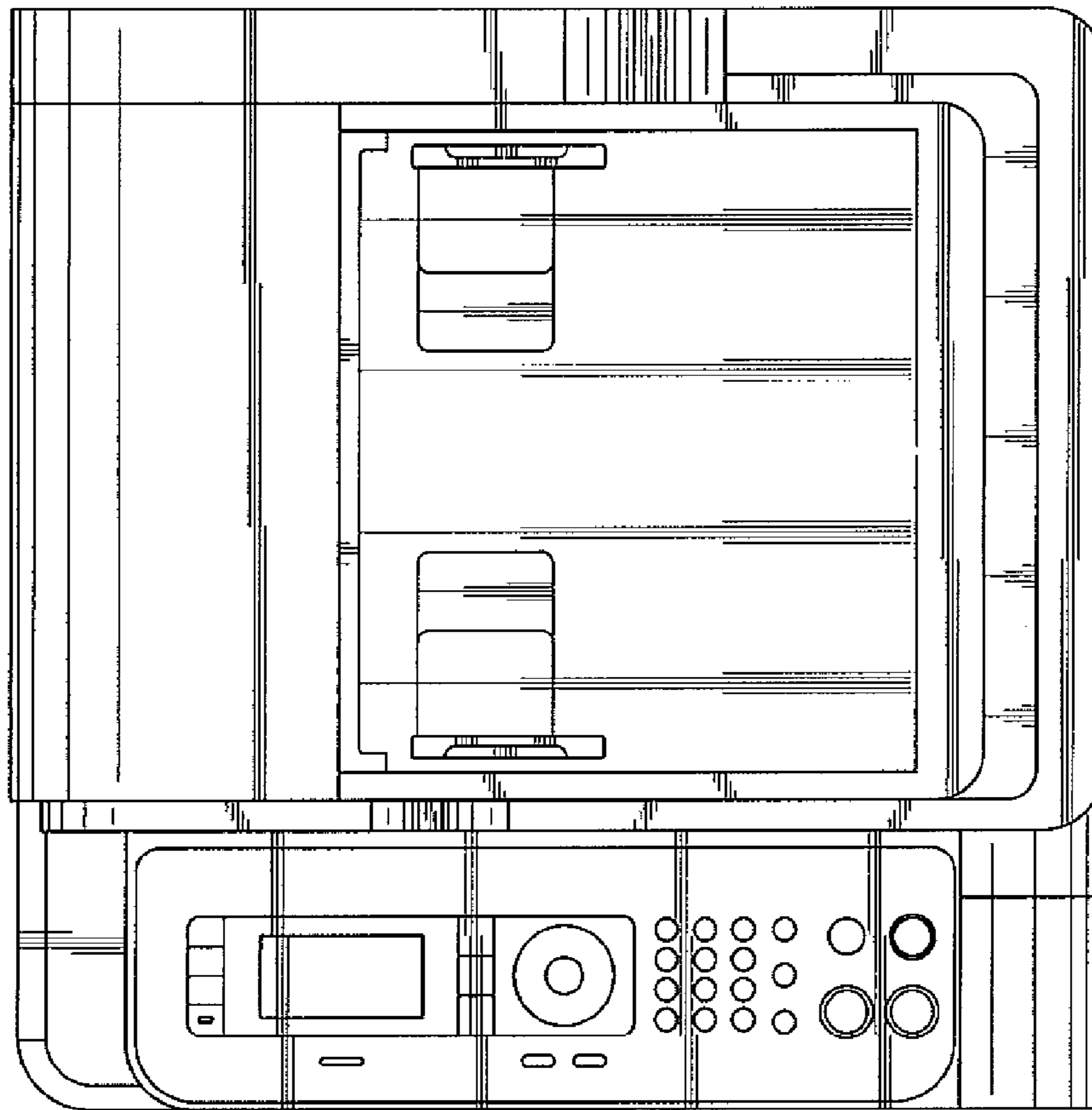


FIG.6

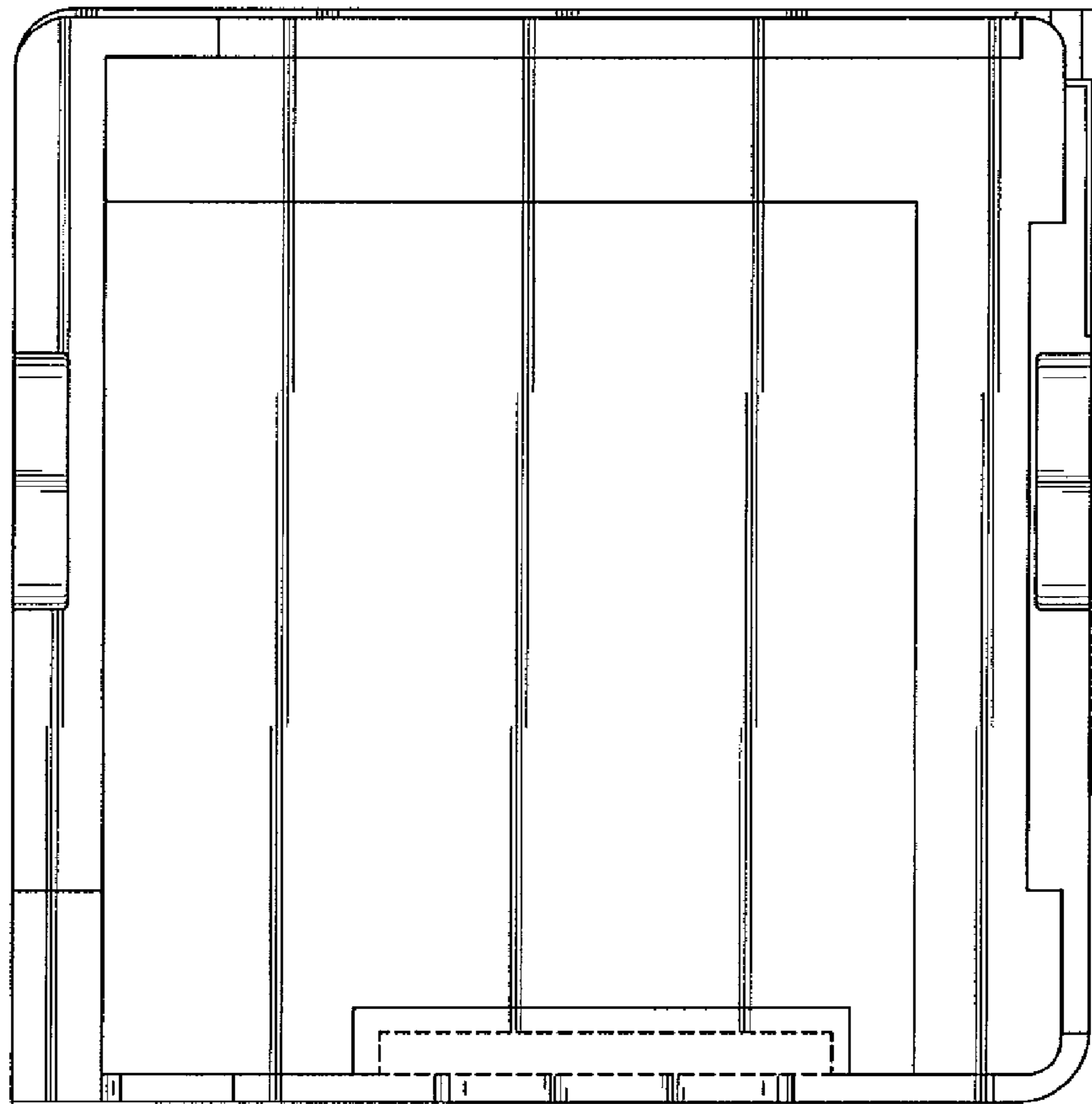


FIG.7