

US00D688741S

(12) **United States Design Patent**
Joyce

(10) **Patent No.:** **US D688,741 S**

(45) **Date of Patent:** **** Aug. 27, 2013**

(54) **THREE-DIMENSIONAL PRINTER**

(75) Inventor: **Michael Joyce**, Deadwood, SD (US)

(73) Assignee: **B9Creations, LLC**, Deadwood, SD (US)

(**) Term: **14 Years**

(21) Appl. No.: **29/430,239**

(22) Filed: **Aug. 23, 2012**

(51) **LOC (9) Cl.** **18-02**

(52) **U.S. Cl.**
USPC **D18/50**

(58) **Field of Classification Search**
USPC D18/14, 19, 36-38, 50, 53, 54, 54.1,
D18/55, 59; D14/420-425, 462-470; 400/613,
400/613.1-613.4, 690.1-690.4, 691-694;
347/47, 82

See application file for complete search history.

(56) **References Cited**

U.S. PATENT DOCUMENTS

D311,291	S *	10/1990	Ugalde	D18/59
5,984,444	A *	11/1999	Hawley	347/1
D420,371	S *	2/2000	Strong et al.	D15/135
6,347,257	B1 *	2/2002	Bedal et al.	700/119
D501,502	S *	2/2005	Scully et al.	D18/50
D533,555	S *	12/2006	Odhe et al.	D14/420
7,435,368	B2 *	10/2008	Davidson et al.	264/113
D617,799	S *	6/2010	Odhe et al.	D14/420
D617,830	S *	6/2010	Lecheheb et al.	D18/59
7,939,003	B2 *	5/2011	Bonassar et al.	264/308
D650,388	S *	12/2011	Hidaka	D14/422
8,167,395	B2 *	5/2012	Fienup et al.	347/9

D677,723	S *	3/2013	Buel et al.	D18/59
2006/0141145	A1 *	6/2006	Davidson et al.	427/203
2008/0105144	A1 *	5/2008	Tetsuka et al.	101/38.1
2010/0043698	A1 *	2/2010	Bolt	118/46
2011/0012961	A1 *	1/2011	Hu et al.	347/47
2012/0201960	A1 *	8/2012	Hartmann et al.	427/256

* cited by examiner

Primary Examiner — Cathy A MacCormac

(74) *Attorney, Agent, or Firm* — PCT Law Group, PLLC

(57) **CLAIM**

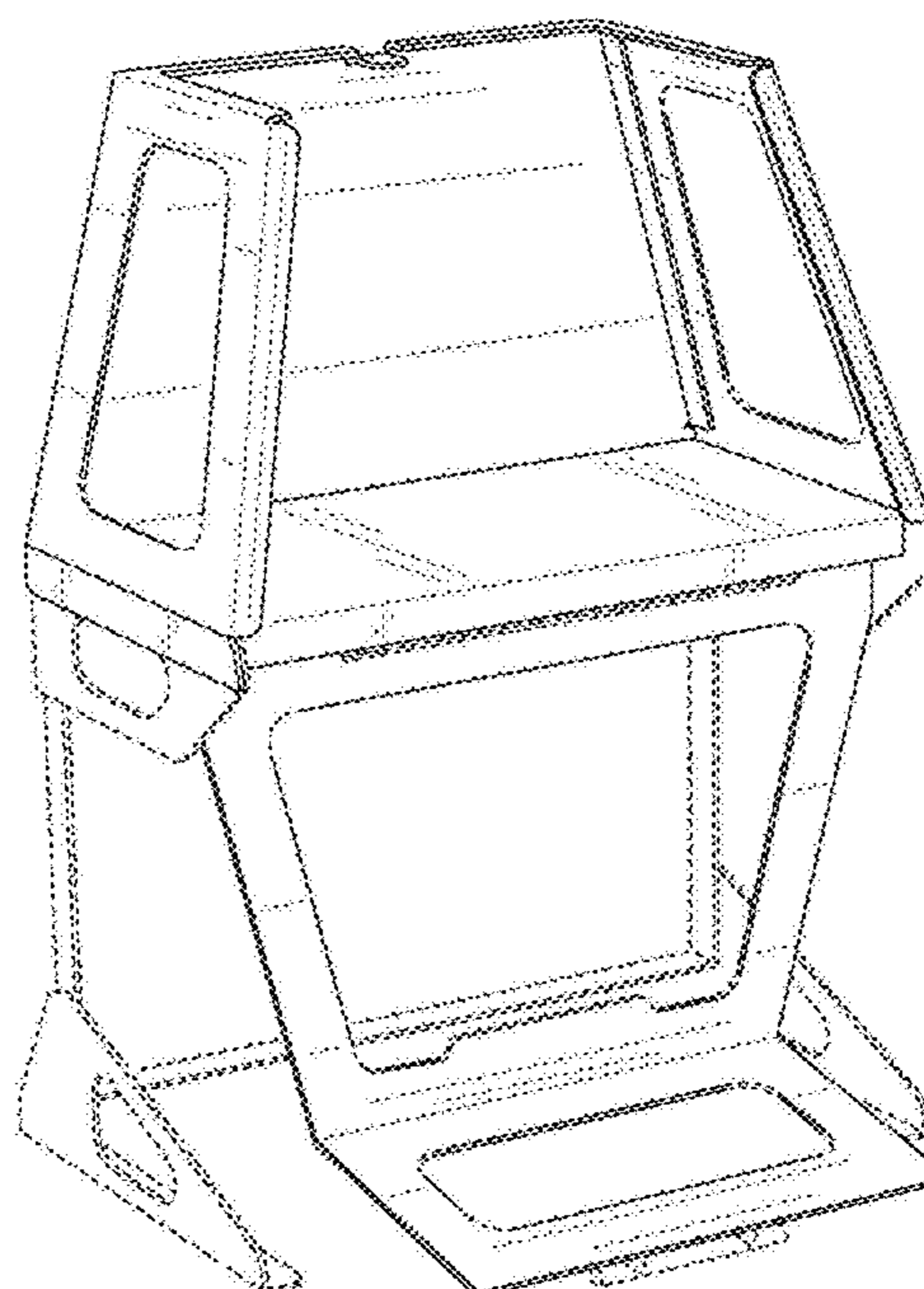
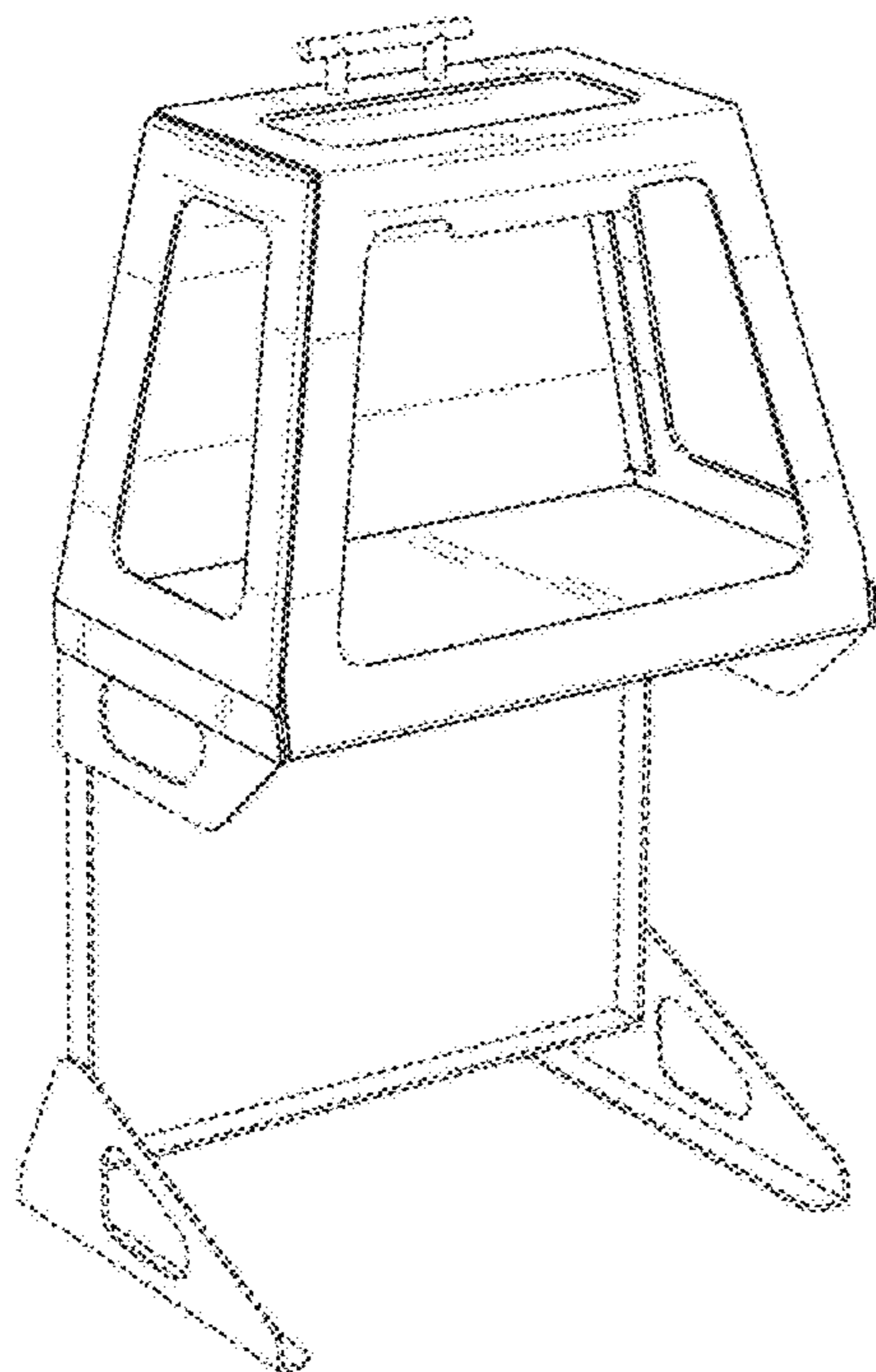
The ornamental design for a three-dimensional printer, as shown and described.

DESCRIPTION

FIG. 1 is a front perspective view of a three-dimensional printer showing our new design;
 FIG. 2 is a front view thereof;
 FIG. 3 is a rear view thereof;
 FIG. 4 is a side view, the opposite side being a mirror image thereof;
 FIG. 5 is a top view thereof;
 FIG. 6 is a bottom view thereof;
 FIG. 7 is another front perspective view thereof, with the door open;
 FIG. 8 is a front view of FIG. 7; and,
 FIG. 9 is a side view FIG. 7; the opposite side being a mirror image thereof.

The broken lines are for purposes of illustration only and form no part of the claimed design.

1 Claim, 9 Drawing Sheets



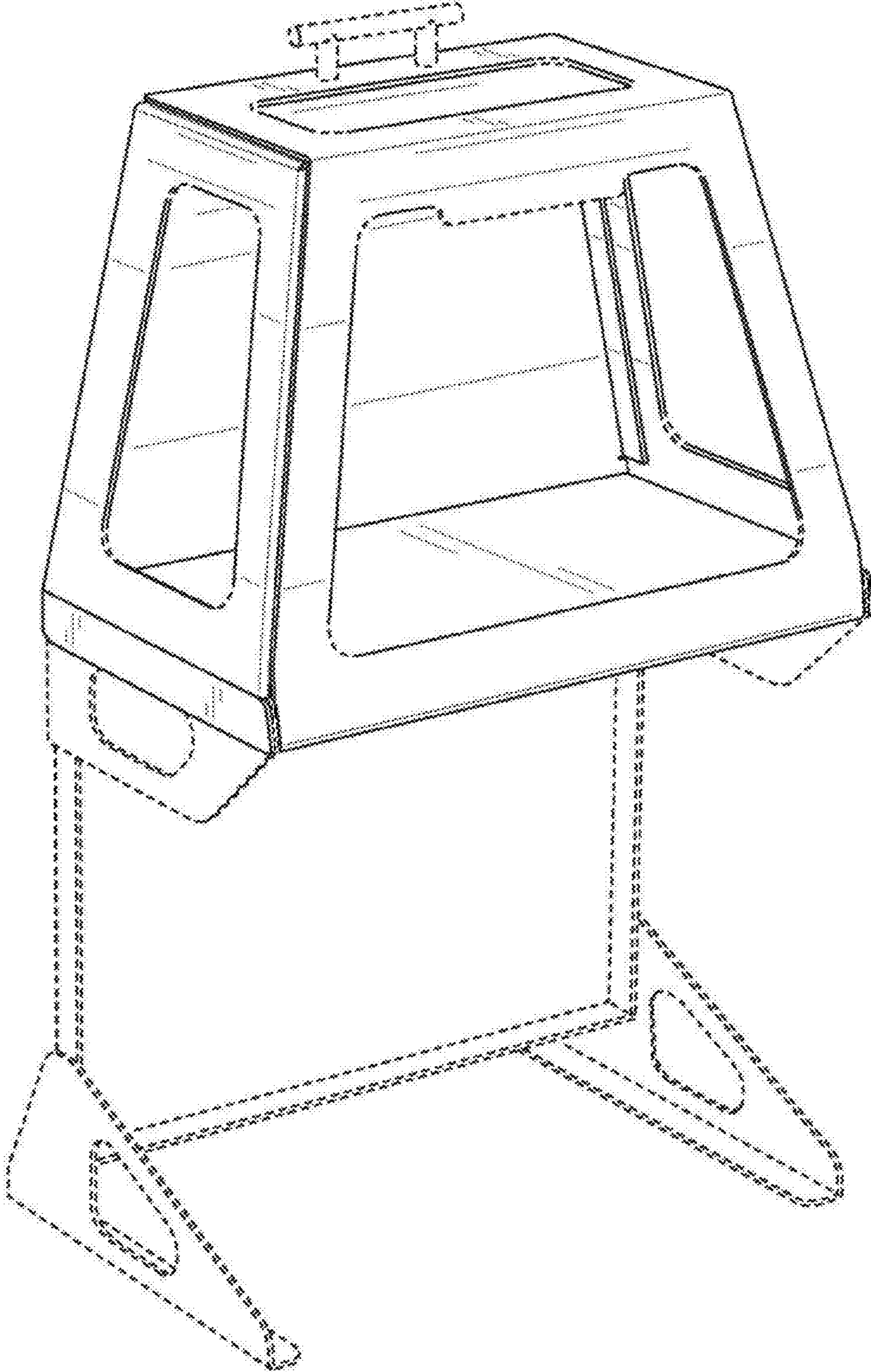


FIG. 1

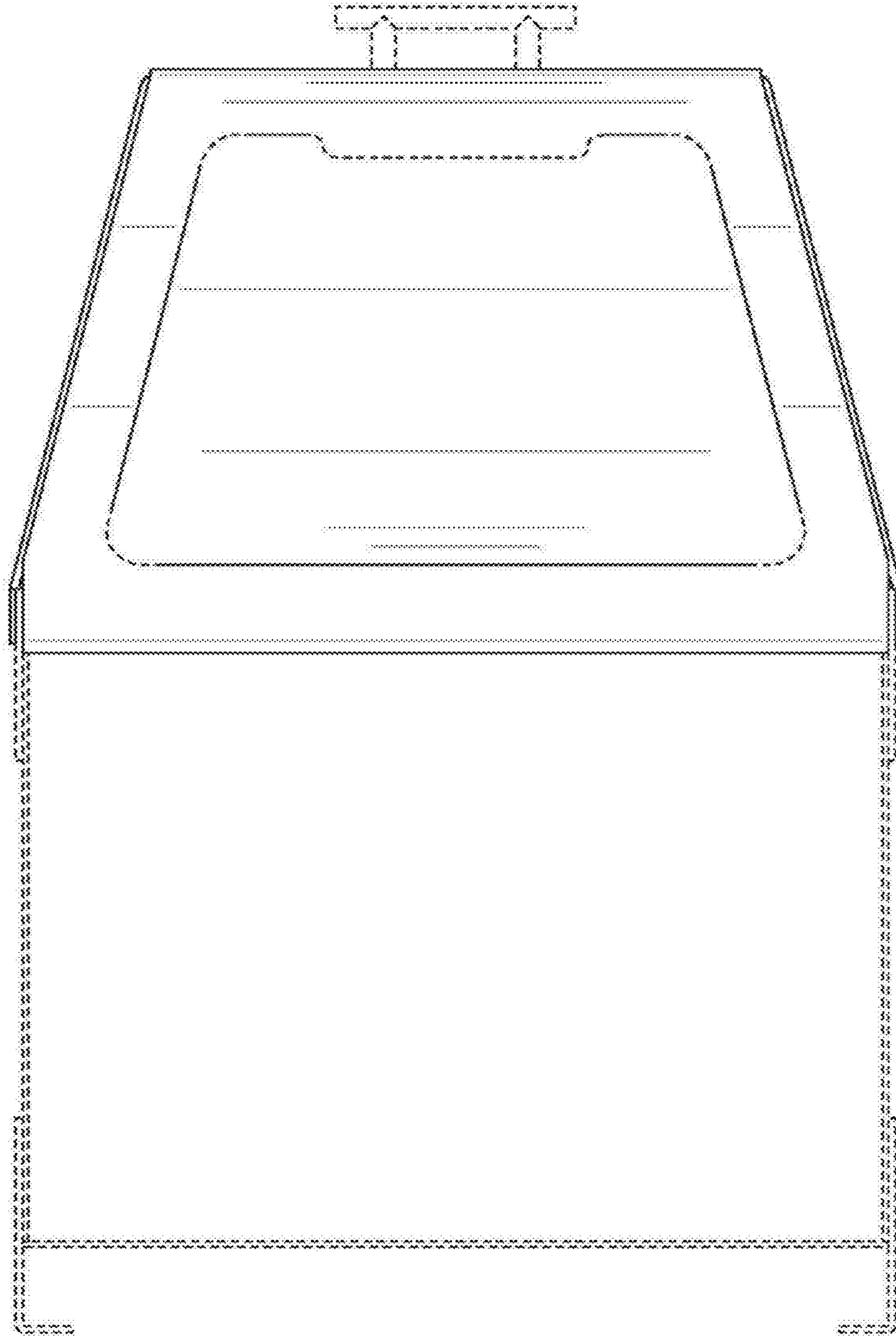


FIG. 2

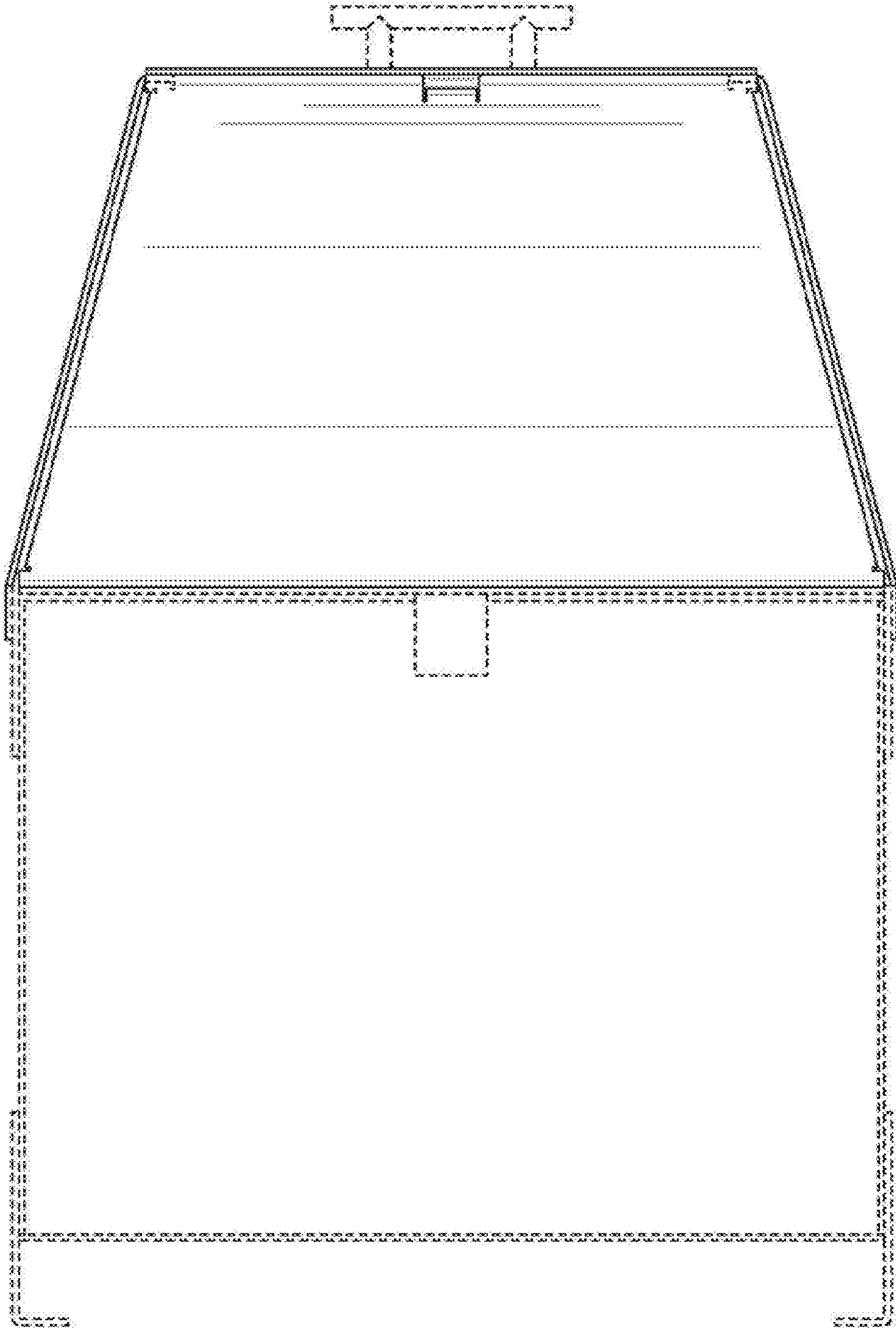


FIG. 3

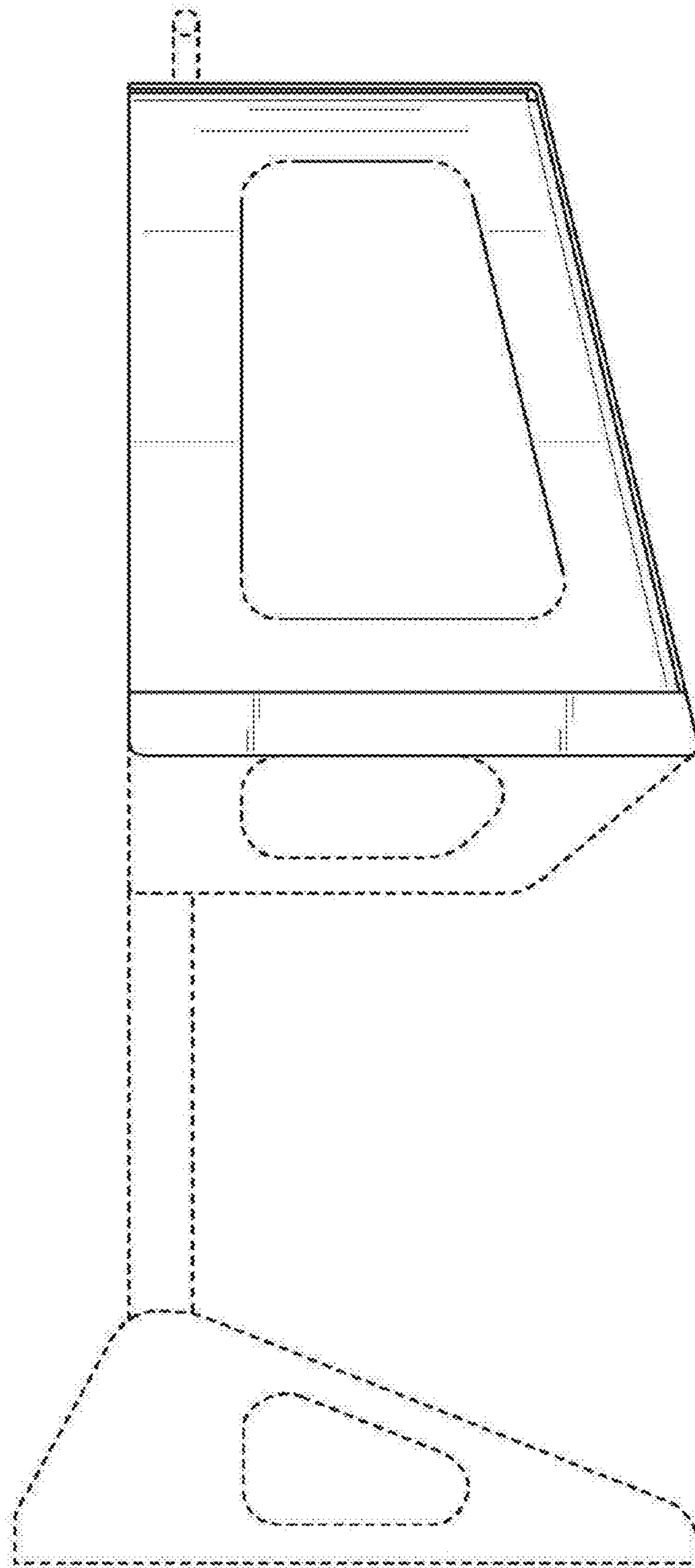


FIG. 4

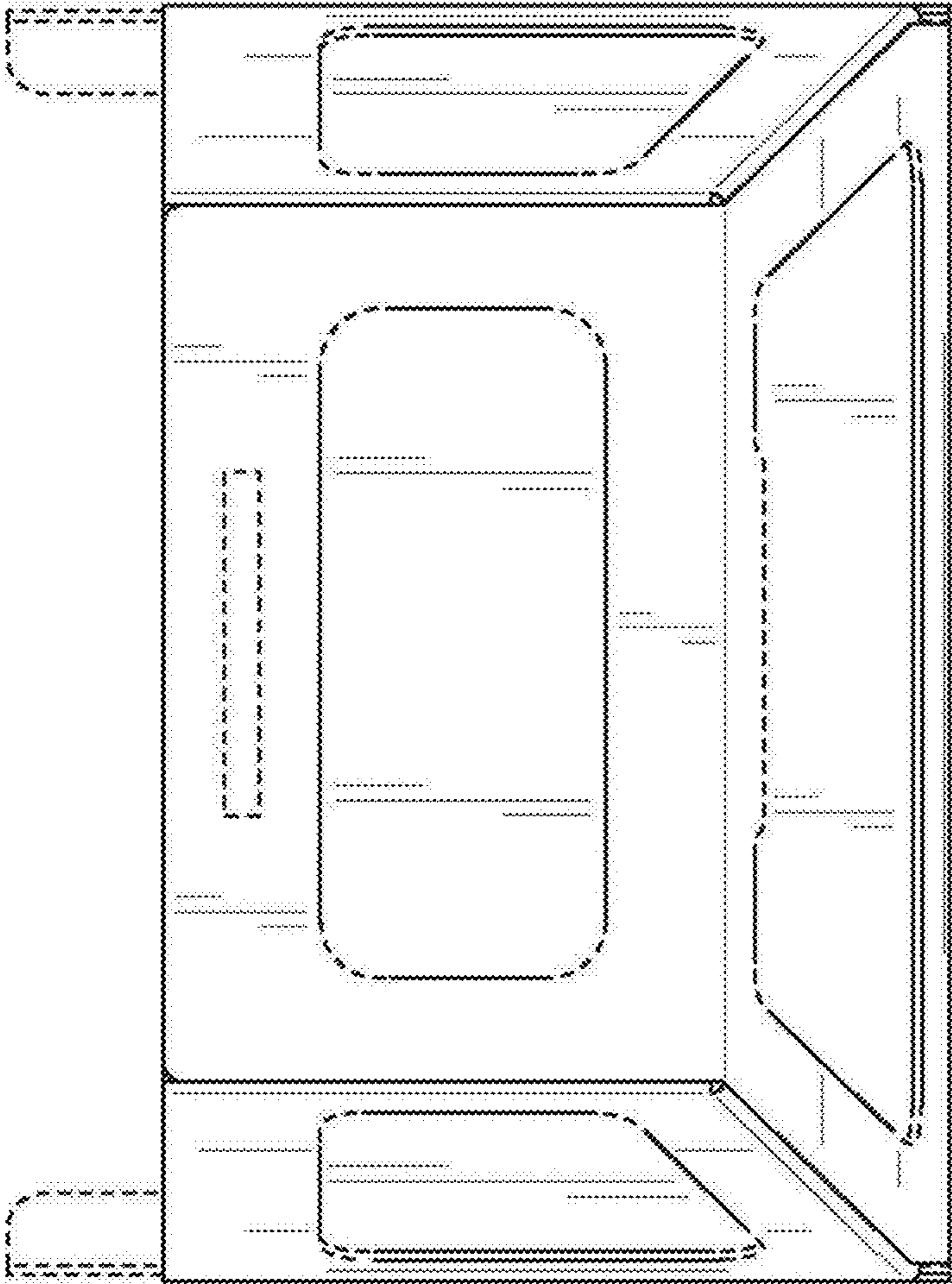


FIG. 5

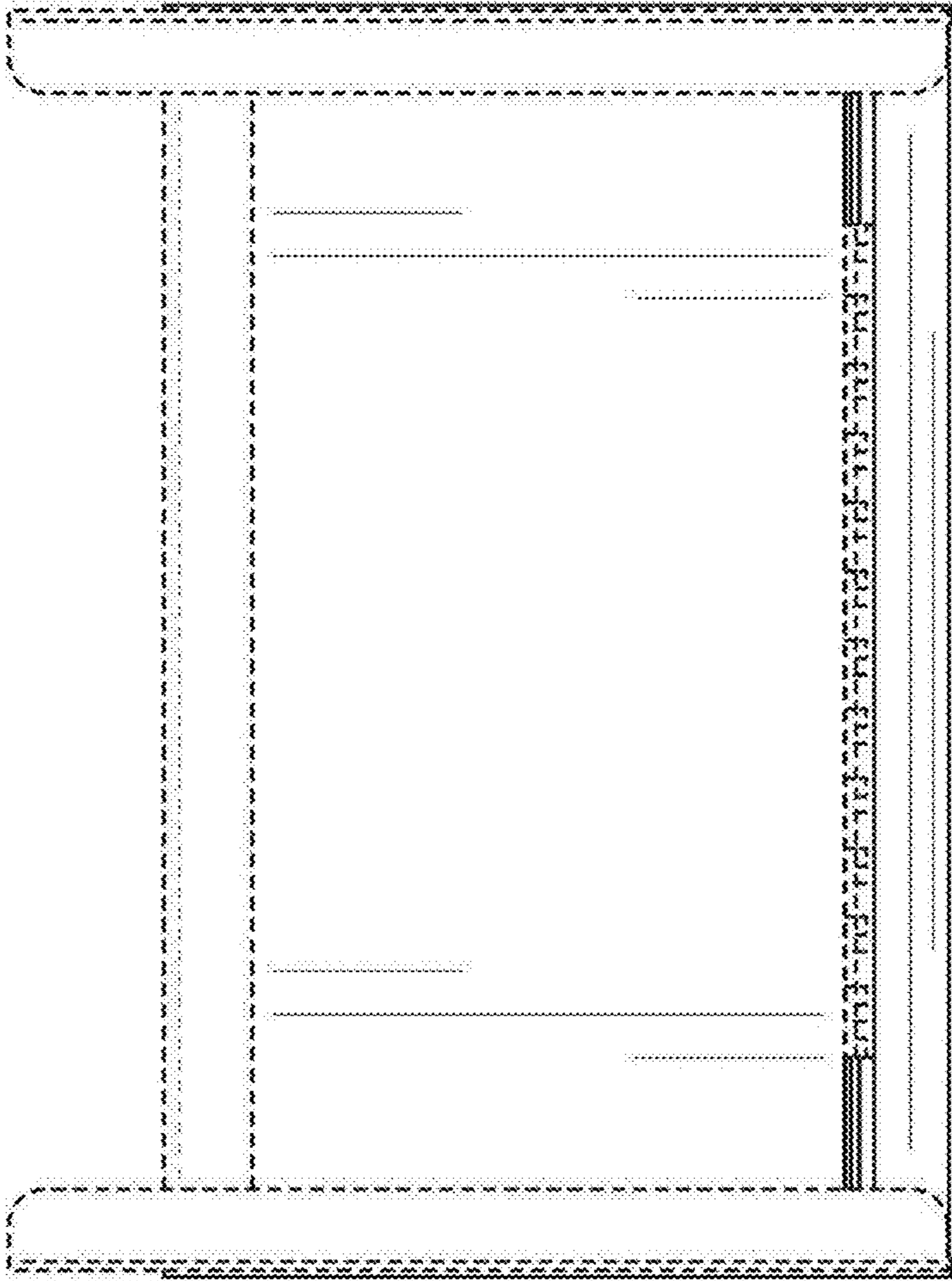


FIG. 6

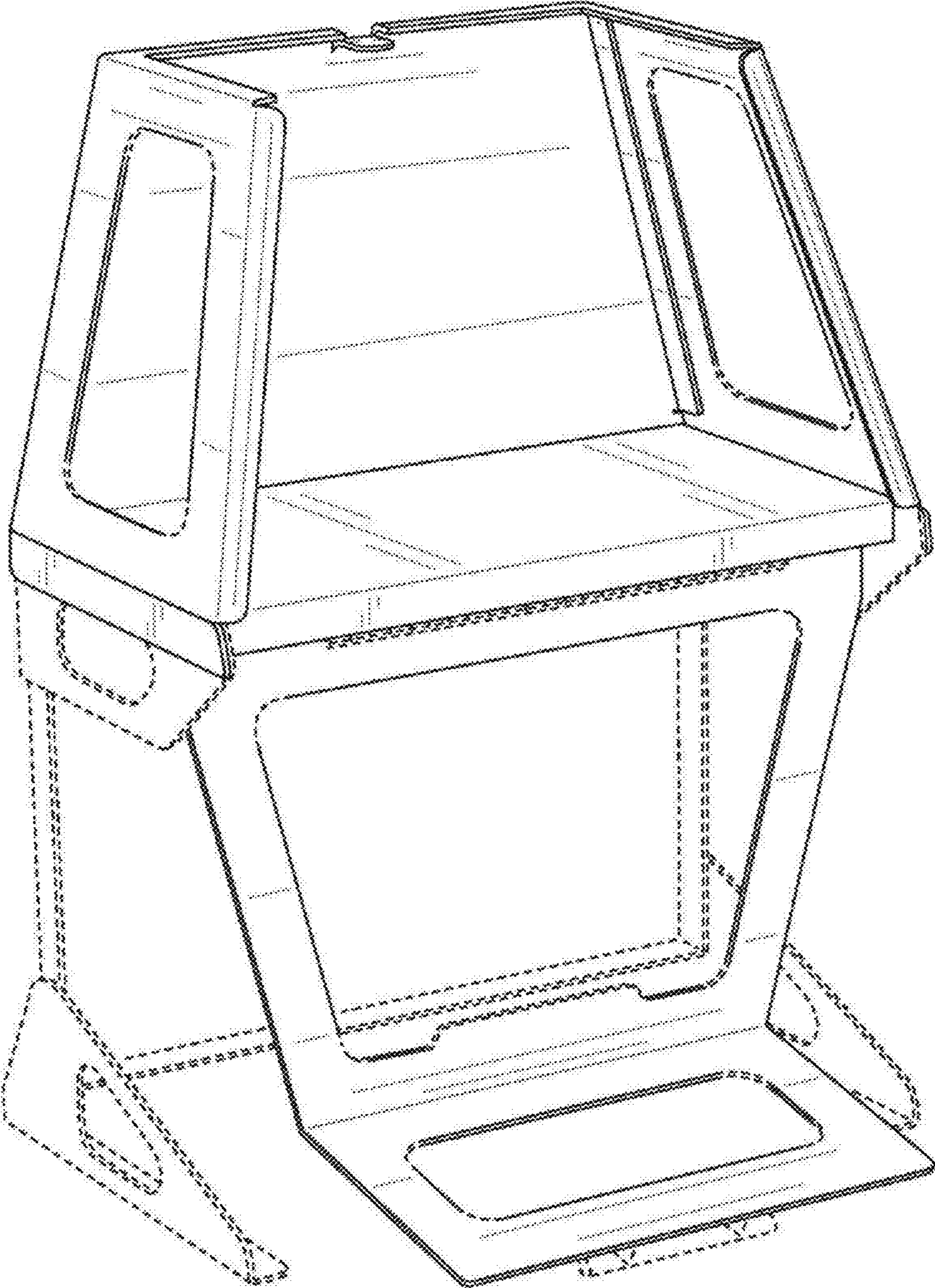


FIG. 7

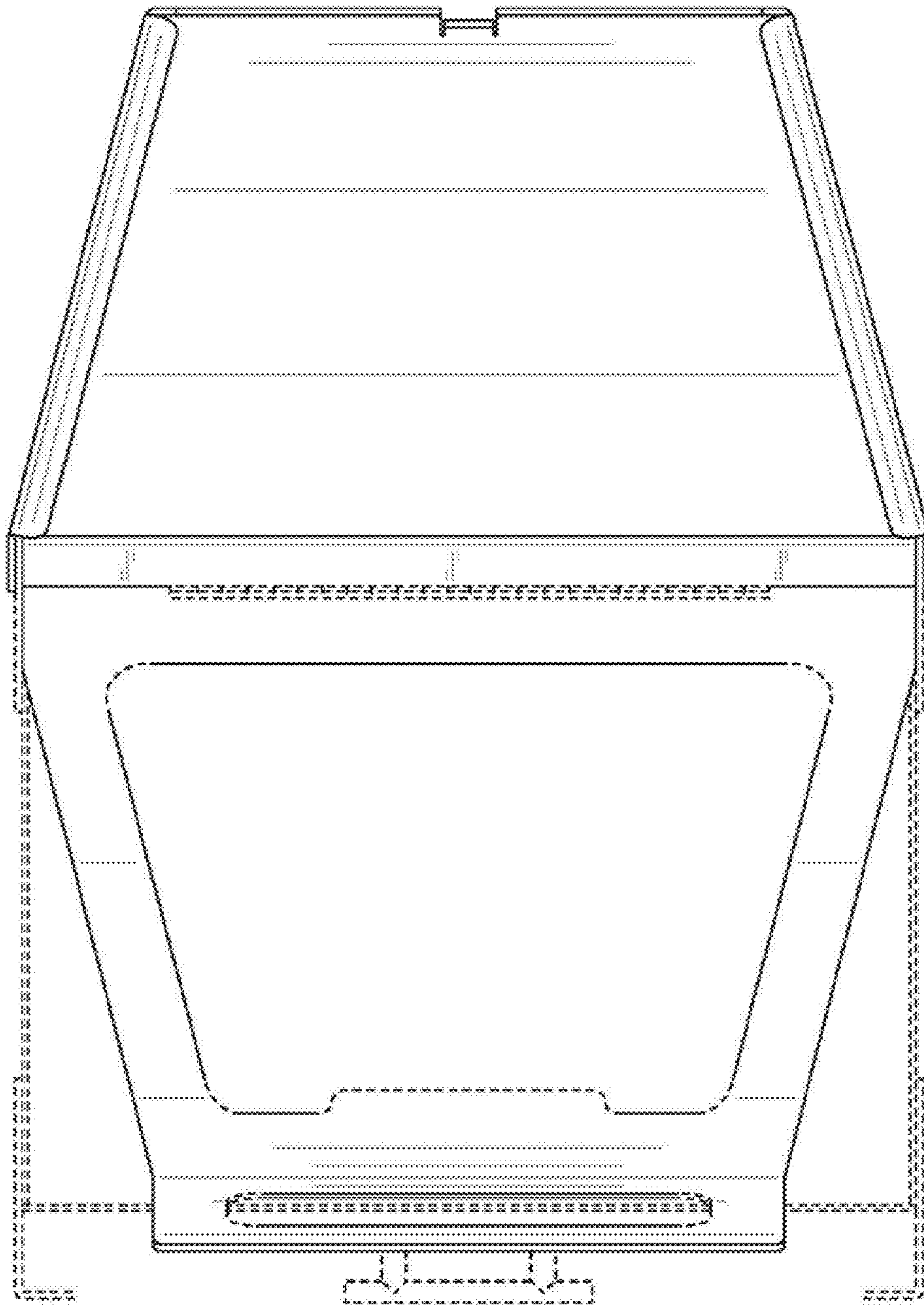


FIG. 8

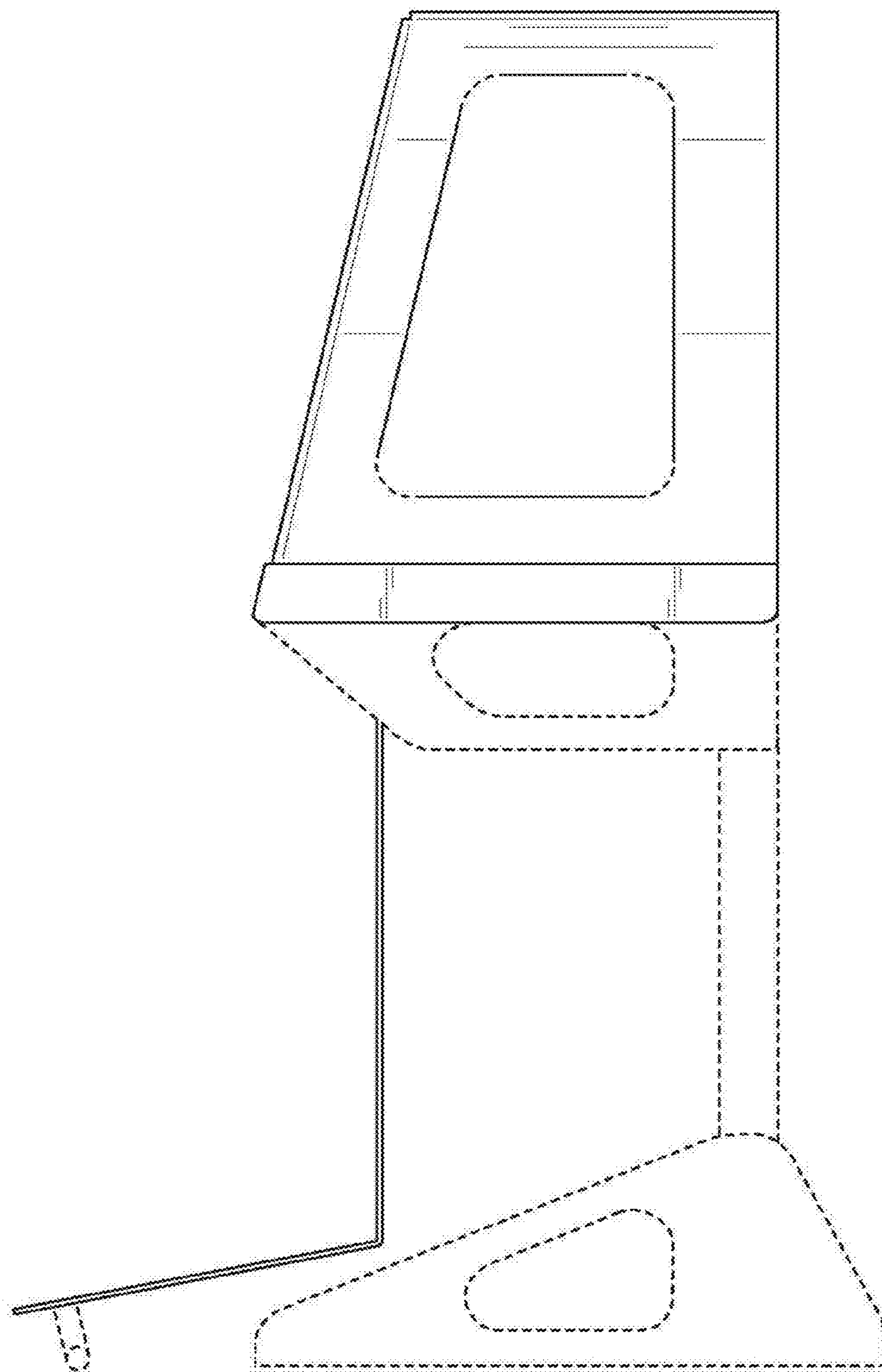


FIG. 9