

US00D688739S

(12) **United States Design Patent**
Labat

(10) **Patent No.:** **US D688,739 S**

(45) **Date of Patent:** **** Aug. 27, 2013**

(54) **SHREDDER**

(75) Inventor: **Sebastien J. Labat**, Chicago, IL (US)

(73) Assignee: **Fellowes, Inc.**, Itasca, IL (US)

(**) Term: **14 Years**

(21) Appl. No.: **29/383,316**

(22) Filed: **Jan. 14, 2011**

(51) **LOC (9) Cl.** **18-03**

(52) **U.S. Cl.**
USPC **D18/34.5**

(58) **Field of Classification Search**
USPC D18/34.3-34.9; D23/356, 359, 360,
D23/364; D34/9; 241/100, 236, 30, 36,
241/81, 25, 99

See application file for complete search history.

(56) **References Cited**

U.S. PATENT DOCUMENTS

D583,859 S *	12/2008	Holderfield et al.	D18/34.9
D584,342 S	1/2009	Parratt et al.	
D591,335 S	4/2009	Holderfield et al.	
D598,048 S *	8/2009	Holderfield et al.	D18/34.9
D602,073 S	10/2009	Holderfield et al.	
D602,074 S	10/2009	Holderfield et al.	
D602,517 S	10/2009	Parratt et al.	
D602,518 S	10/2009	Holderfield et al.	
D604,762 S	11/2009	Parratt et al.	
D604,763 S *	11/2009	Holderfield et al.	D18/34.9
D607,043 S	12/2009	Kim et al.	
D616,923 S	6/2010	Kim et al.	
D616,924 S	6/2010	Kim et al.	
D616,925 S	6/2010	Kim et al.	
D616,926 S	6/2010	Holderfield et al.	
D626,992 S	11/2010	Kim et al.	
D643,461 S	8/2011	Kim et al.	
D647,129 S *	10/2011	Kim et al.	D18/34.9

D647,952 S *	11/2011	Sued et al.	D18/34.5
8,066,209 B2 *	11/2011	Abramson et al.	241/30
8,091,812 B2 *	1/2012	Abramson et al.	241/99
D660,346 S *	5/2012	Kim et al.	D18/34.5
D660,907 S *	5/2012	Wing et al.	D18/34.5
D662,577 S *	6/2012	Nakamura et al.	D23/364
8,196,851 B2 *	6/2012	Aries et al.	241/225
8,336,794 B2 *	12/2012	Aries et al.	241/81
D673,665 S *	1/2013	Langford et al.	D23/359
2010/0308139 A1 *	12/2010	Abramson et al.	241/25
2011/0253819 A1 *	10/2011	Aries et al.	241/100
2012/0024991 A1 *	2/2012	Pilch et al.	241/25
2012/0111979 A1 *	5/2012	Jensen et al.	241/25

* cited by examiner

Primary Examiner — Ian Simmons

Assistant Examiner — Charles Hanson

(74) *Attorney, Agent, or Firm* — Pillsbury Winthrop Shaw Pittman LLP

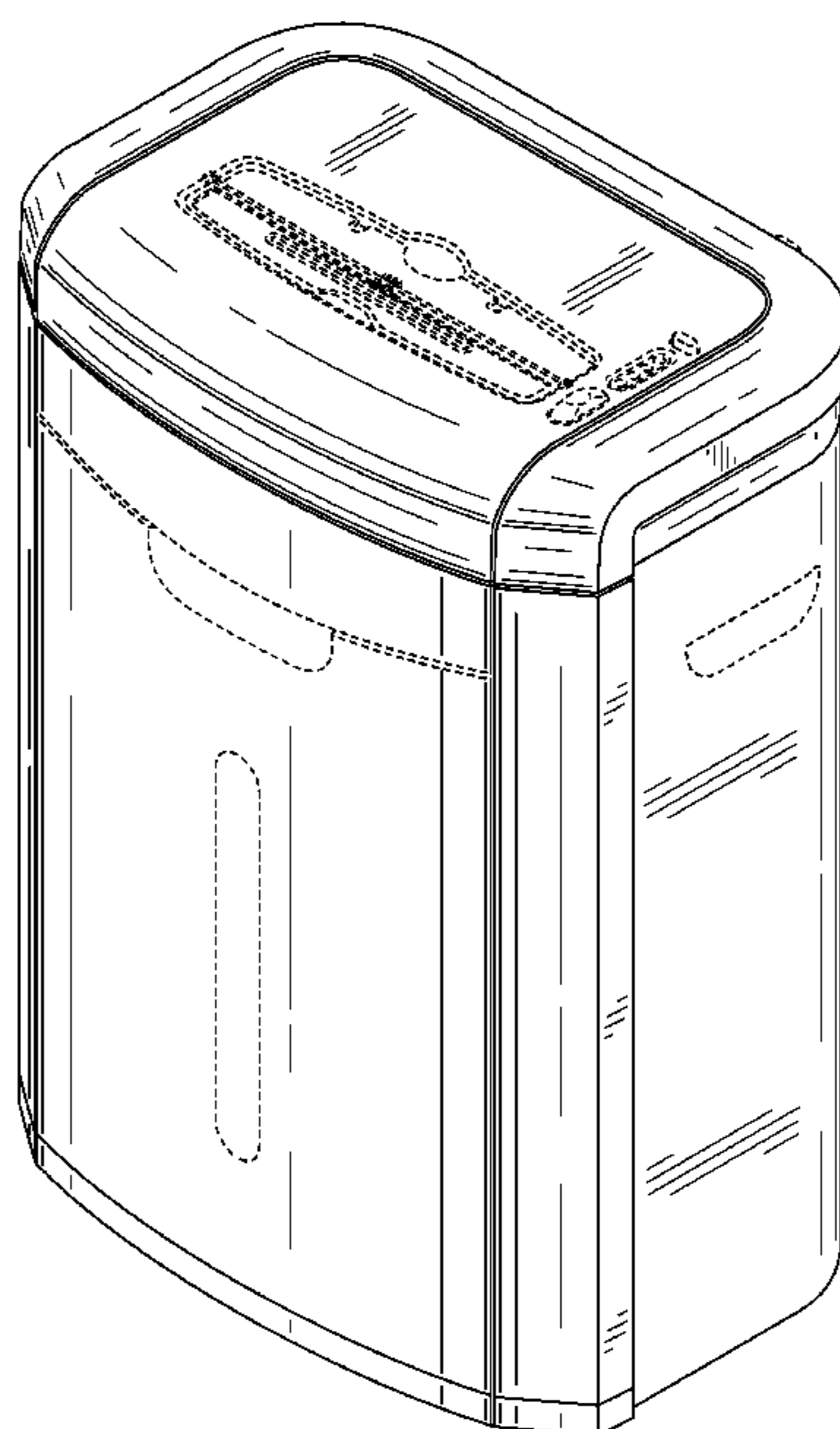
(57) **CLAIM**

The ornamental design for a shredder, as shown and described.

DESCRIPTION

FIG. 1 is a top perspective view of a shredder according to my design;
FIG. 2 is a front view of the shredder;
FIG. 3 is a back view of the shredder;
FIG. 4 is a right side view of the shredder;
FIG. 5 is a left side view of the shredder;
FIG. 6 is a top view of the shredder;
FIG. 7 is a bottom view of the shredder; and,
FIG. 8 is a bottom perspective view of the shredder.
Any broken lines shown are included for the purpose of illustrating the environment of the design and form no part of the claimed design.

1 Claim, 8 Drawing Sheets



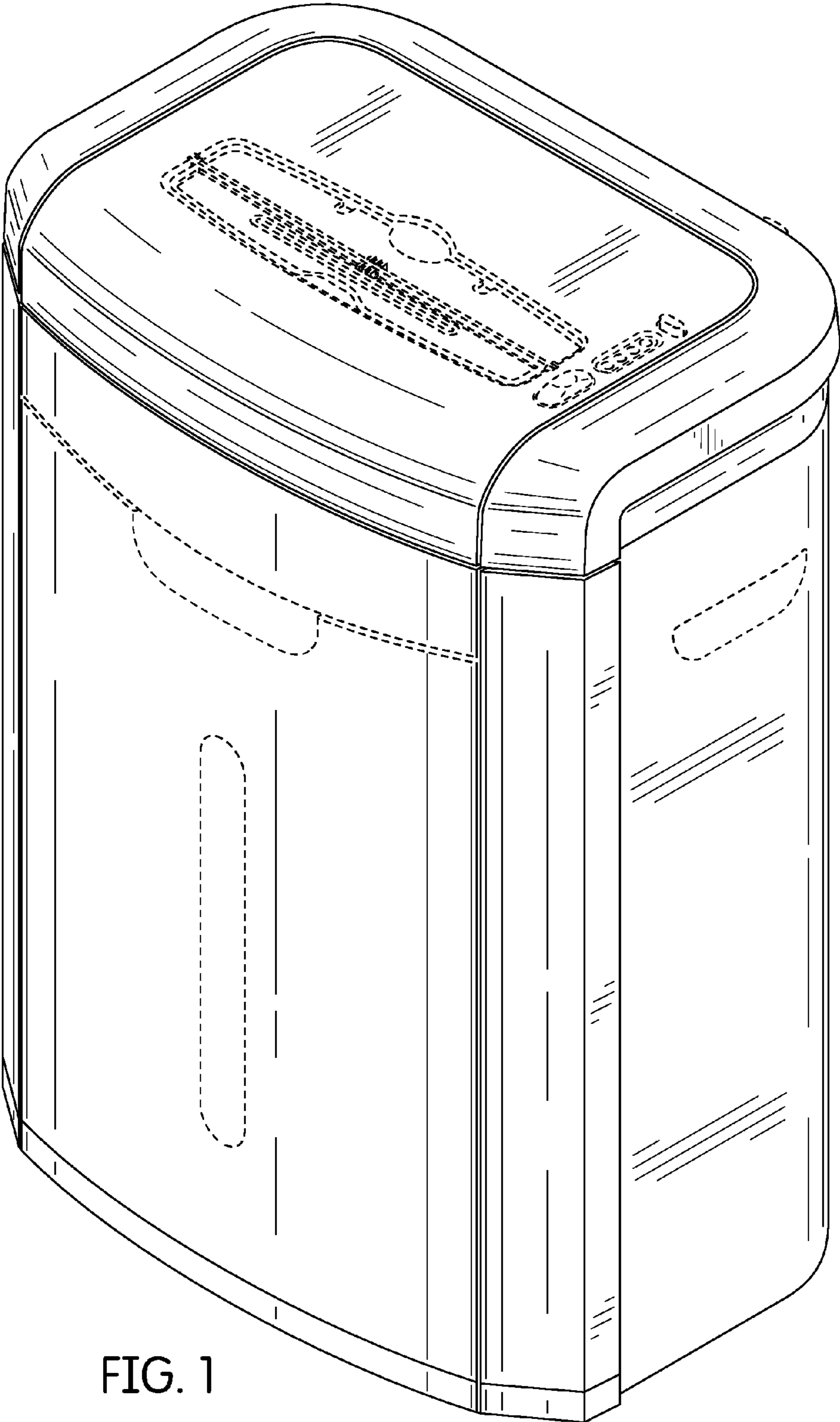


FIG. 1

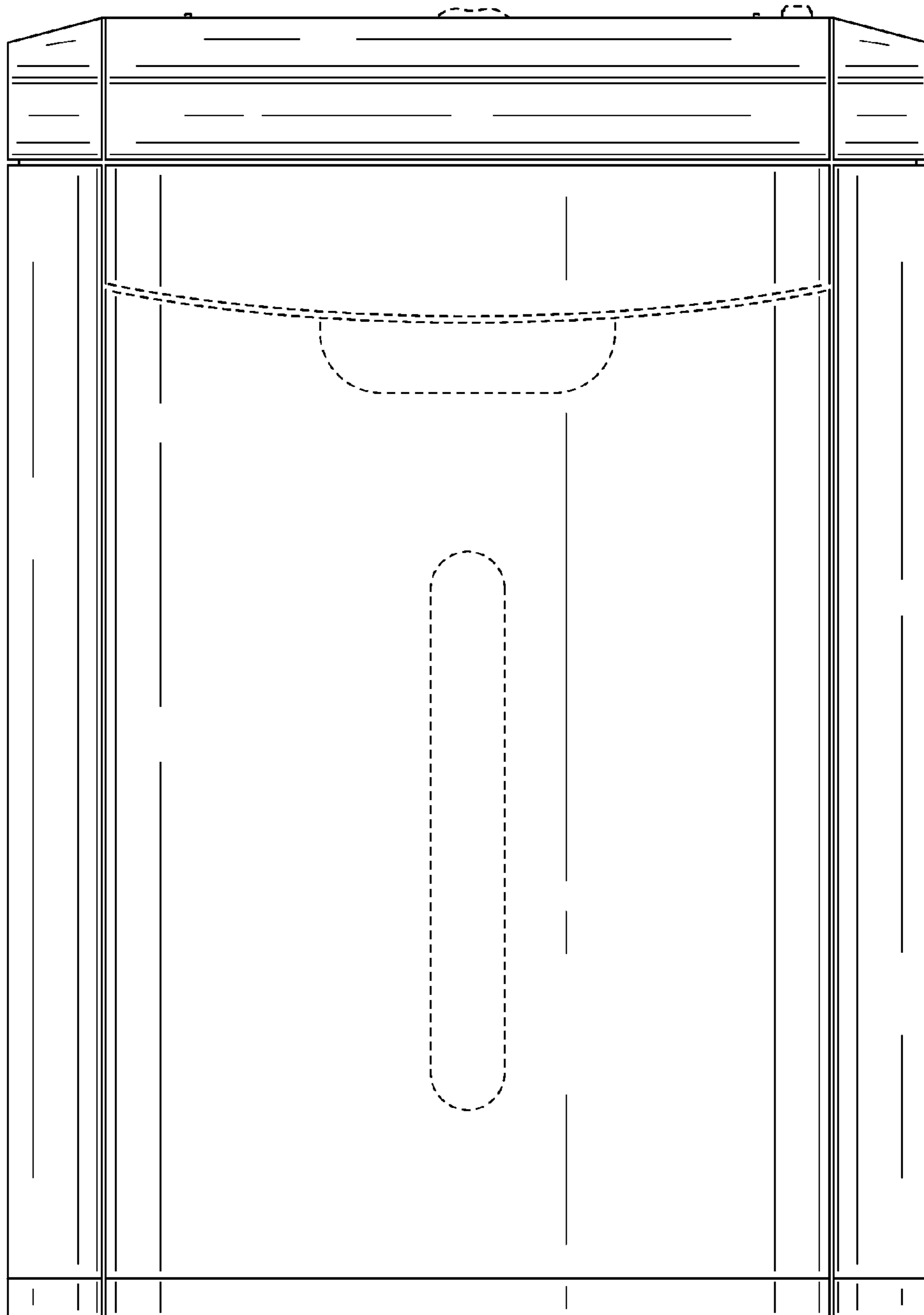


FIG. 2

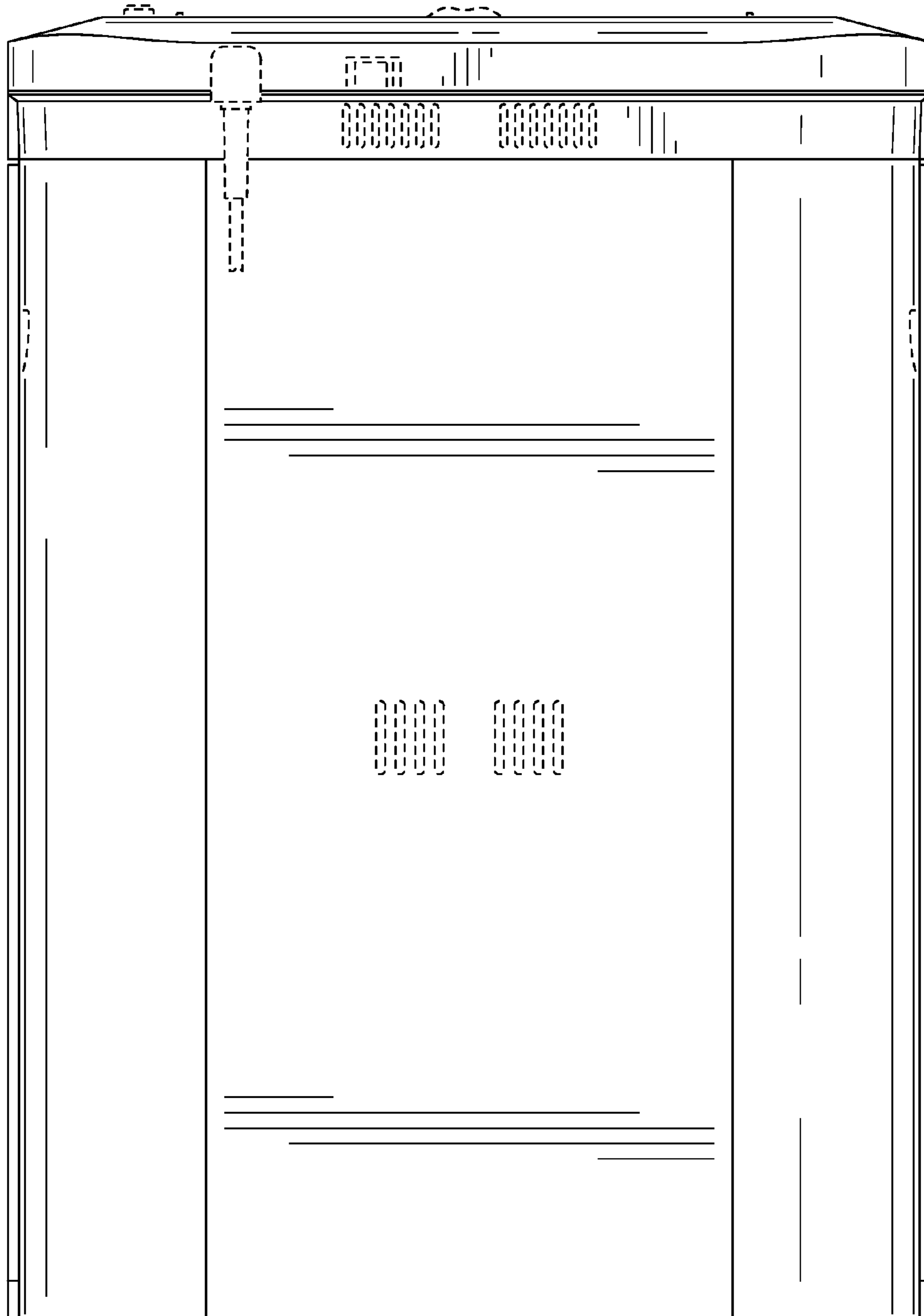


FIG. 3

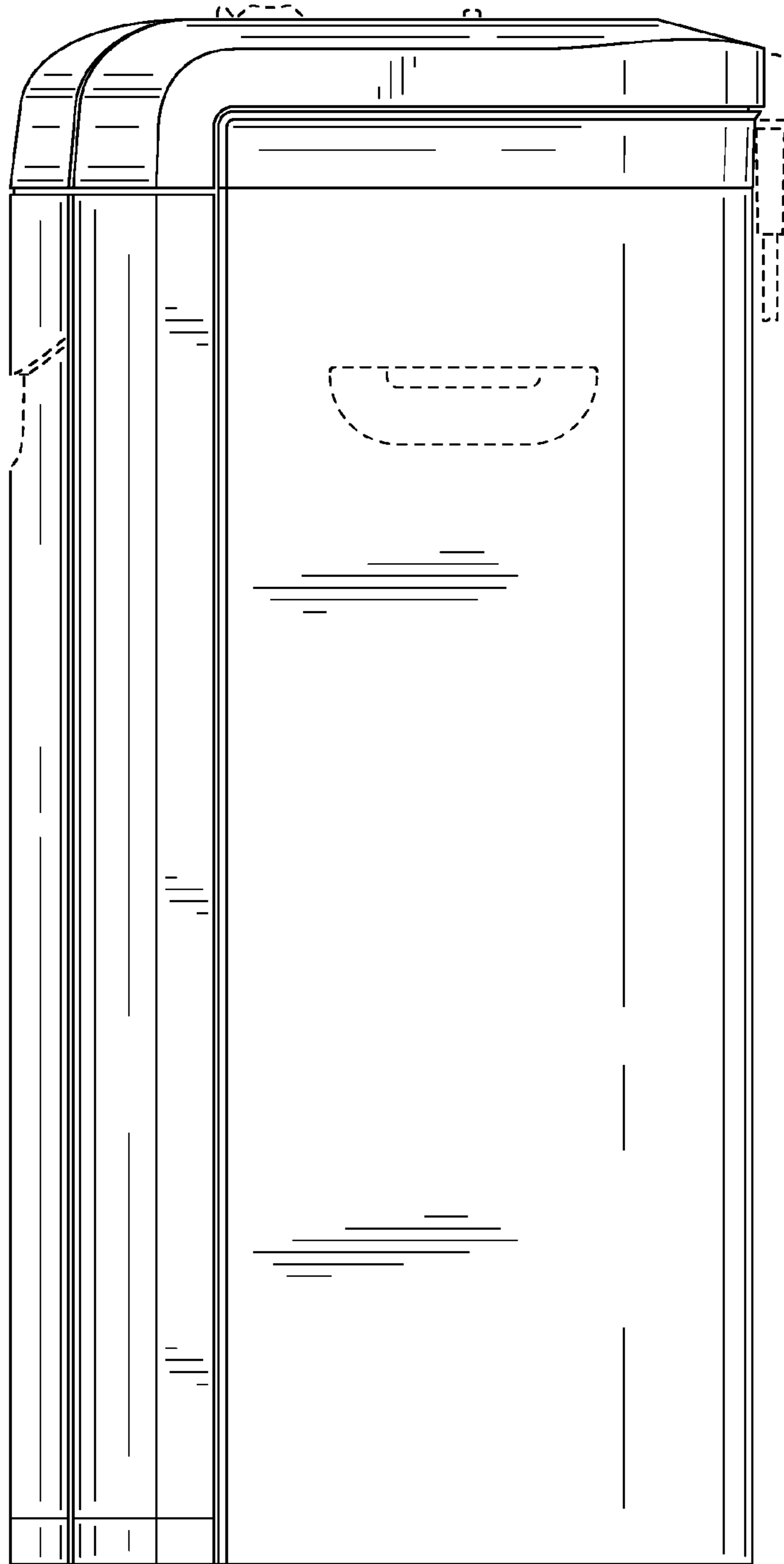


FIG. 4

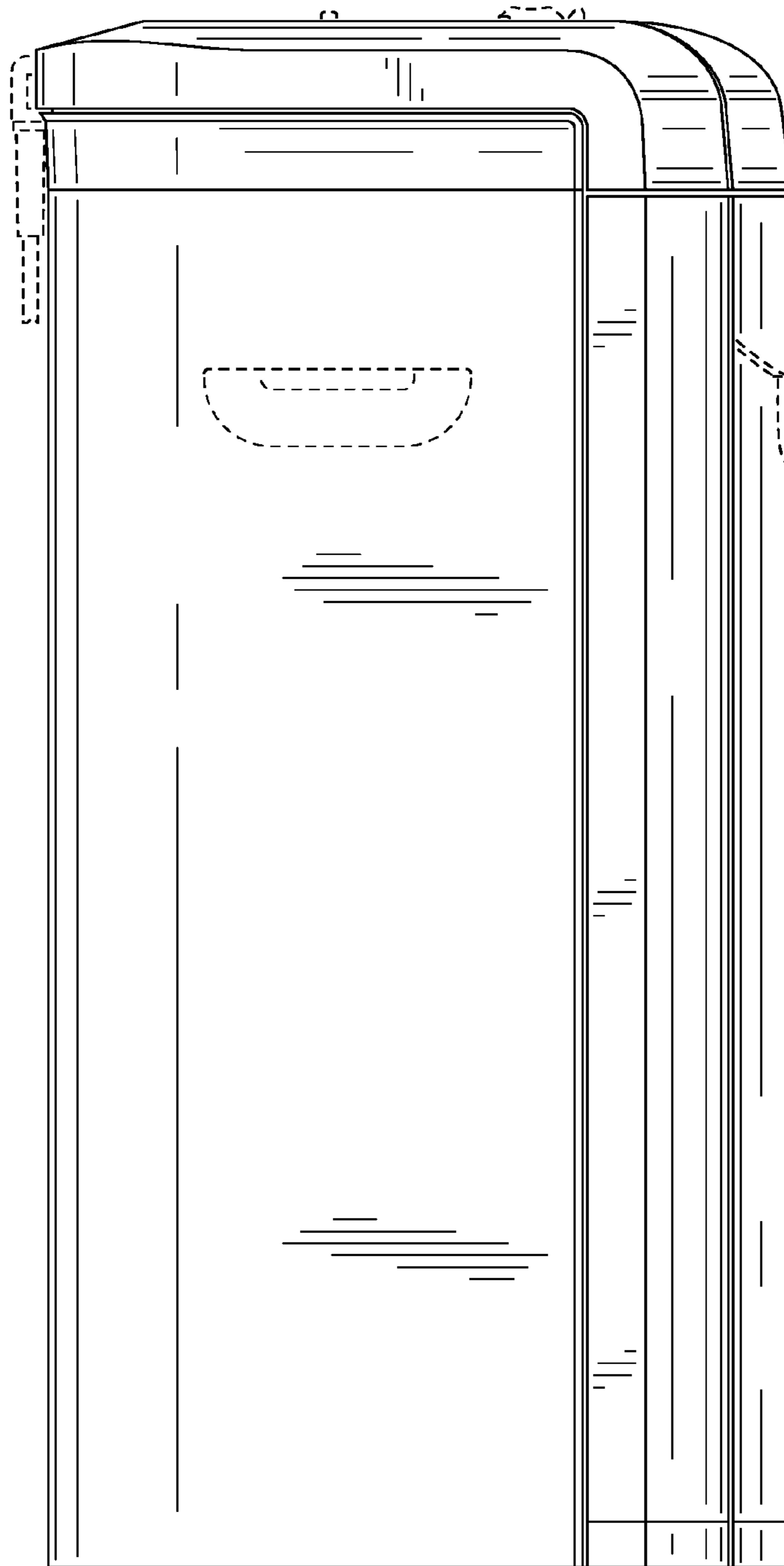


FIG. 5

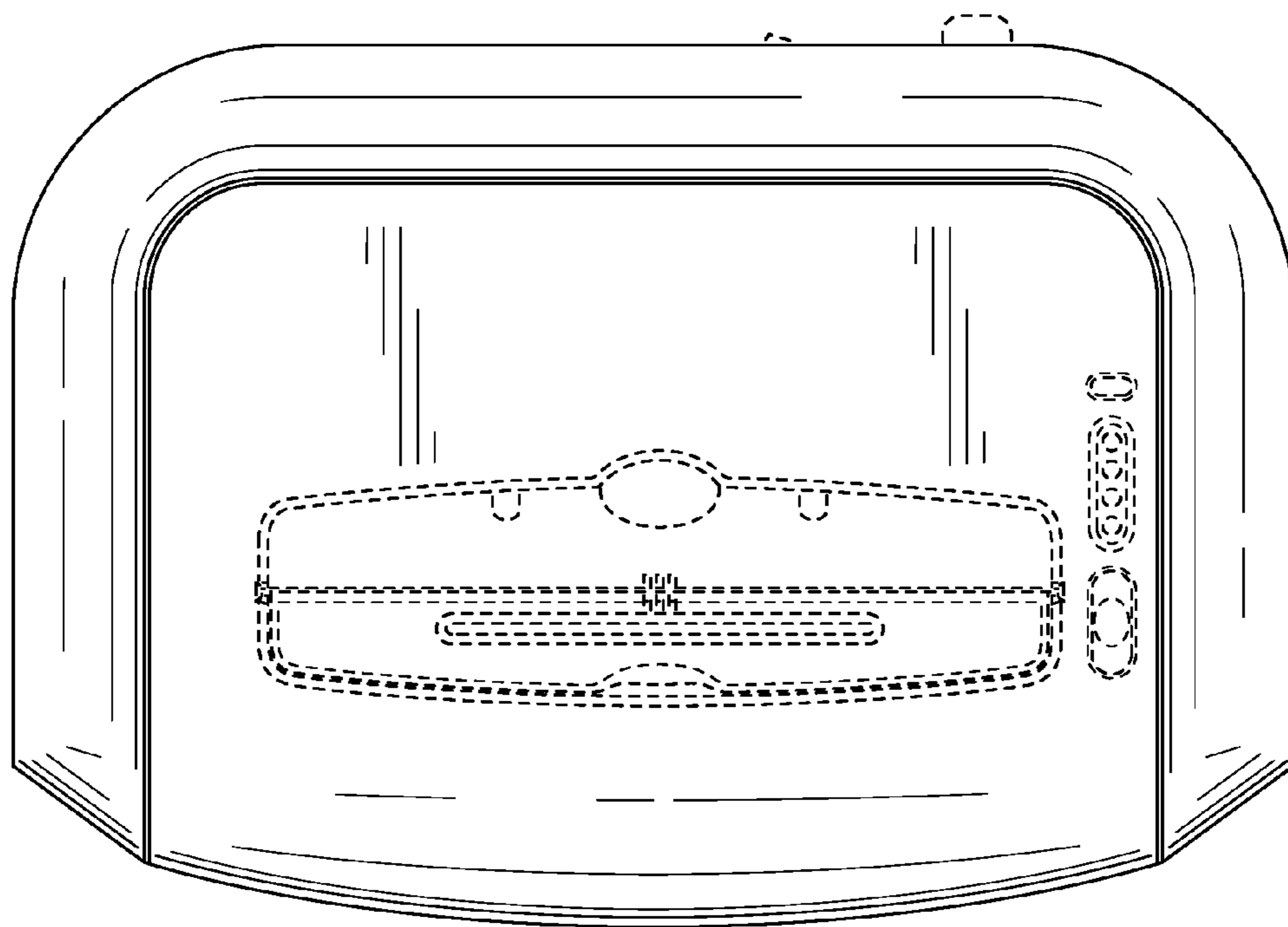


FIG. 6

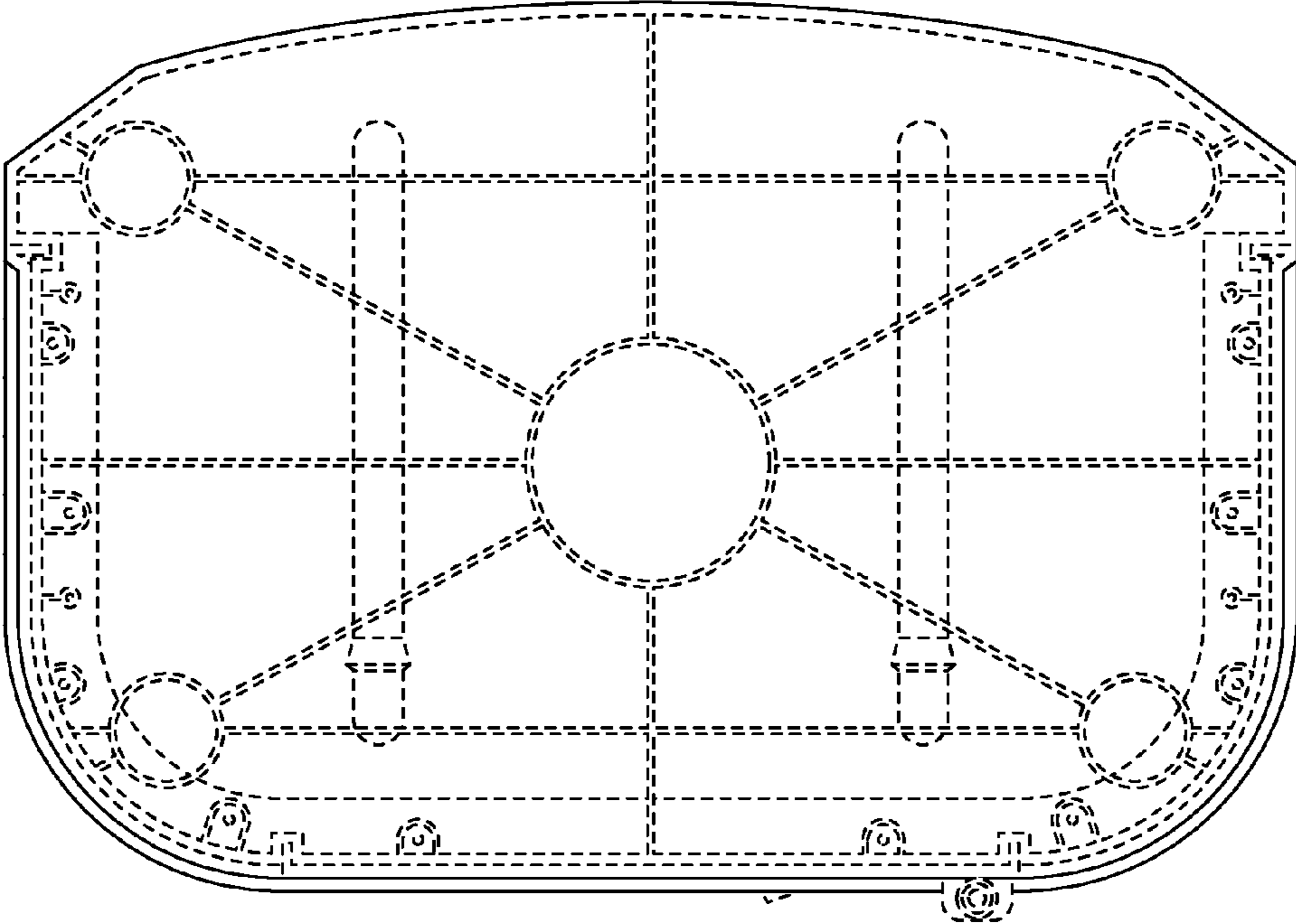


FIG. 7

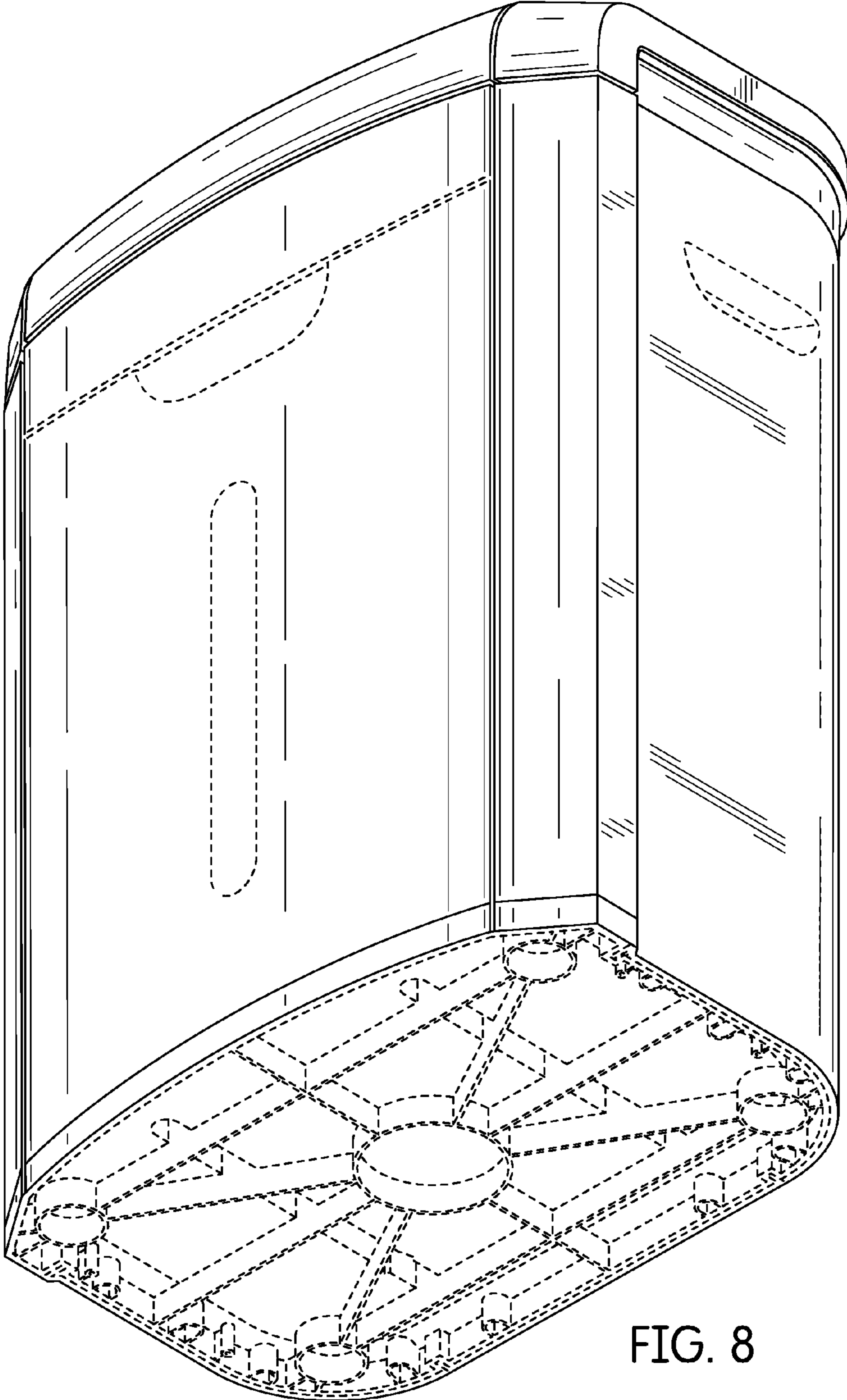


FIG. 8