



US00D688737S

(12) **United States Design Patent**
Tatsumi

(10) **Patent No.:** **US D688,737 S**

(45) **Date of Patent:** **** Aug. 27, 2013**

(54) **ELECTRONIC DRUM PAD**

(75) Inventor: **Keizo Tatsumi**, Hamamatsu (JP)

(73) Assignee: **Yamaha Corporation**, Shizuoka (JP)

(**) Term: **14 Years**

(21) Appl. No.: **29/432,114**

(22) Filed: **Sep. 13, 2012**

(30) **Foreign Application Priority Data**

Mar. 22, 2012 (JP) 2012-006393

Mar. 22, 2012 (JP) 2012-006394

(51) **LOC (9) Cl.** **17-04**

(52) **U.S. Cl.**
USPC **D17/22**

(58) **Field of Classification Search**

USPC D17/22, 99; 84/411 R, 415, 419,
84/420, 411 M, 411 P; D21/405

See application file for complete search history.

(56) **References Cited**

U.S. PATENT DOCUMENTS

D301,893 S *	6/1989	Hargrove	D17/22
D455,453 S *	4/2002	Fukuoka et al.	D17/22
D455,775 S *	4/2002	Fukuoka et al.	D17/22
D460,941 S *	7/2002	Muzzarelli	D12/211
D526,001 S *	8/2006	Scharte	D17/22
D552,162 S *	10/2007	Fukuoka et al.	D17/22
D577,761 S *	9/2008	Nakao et al.	D17/22
D597,589 S *	8/2009	Onishi	D17/22
D606,045 S *	12/2009	Skillings	D14/217
D607,921 S *	1/2010	Onishi	D17/22
D649,182 S *	11/2011	Chambers	D17/22

OTHER PUBLICATIONS

U.S. Appl. No. 29/432,091, filed Sep. 13, 2012, Keizo Tatsumi.

* cited by examiner

Primary Examiner — Rashida Johnson

(74) *Attorney, Agent, or Firm* — Sughrue Mion, PLLC

(57) **CLAIM**

The ornamental design for an electronic drum pad, as shown and described.

DESCRIPTION

FIG. 1 is a perspective view of the front, top and right side of an electronic drum pad according to a first embodiment showing my new design;

FIG. 2 is a front view thereof;

FIG. 3 is a rear view thereof;

FIG. 4 is a left side view thereof;

FIG. 5 is a right side view thereof;

FIG. 6 is a top plan view thereof;

FIG. 7 is a bottom view thereof;

FIG. 8 is a perspective view of the front, top and right side of an electronic drum pad according to a second embodiment showing my new design;

FIG. 9 is a front view thereof;

FIG. 10 is a rear view thereof;

FIG. 11 is a left side view thereof;

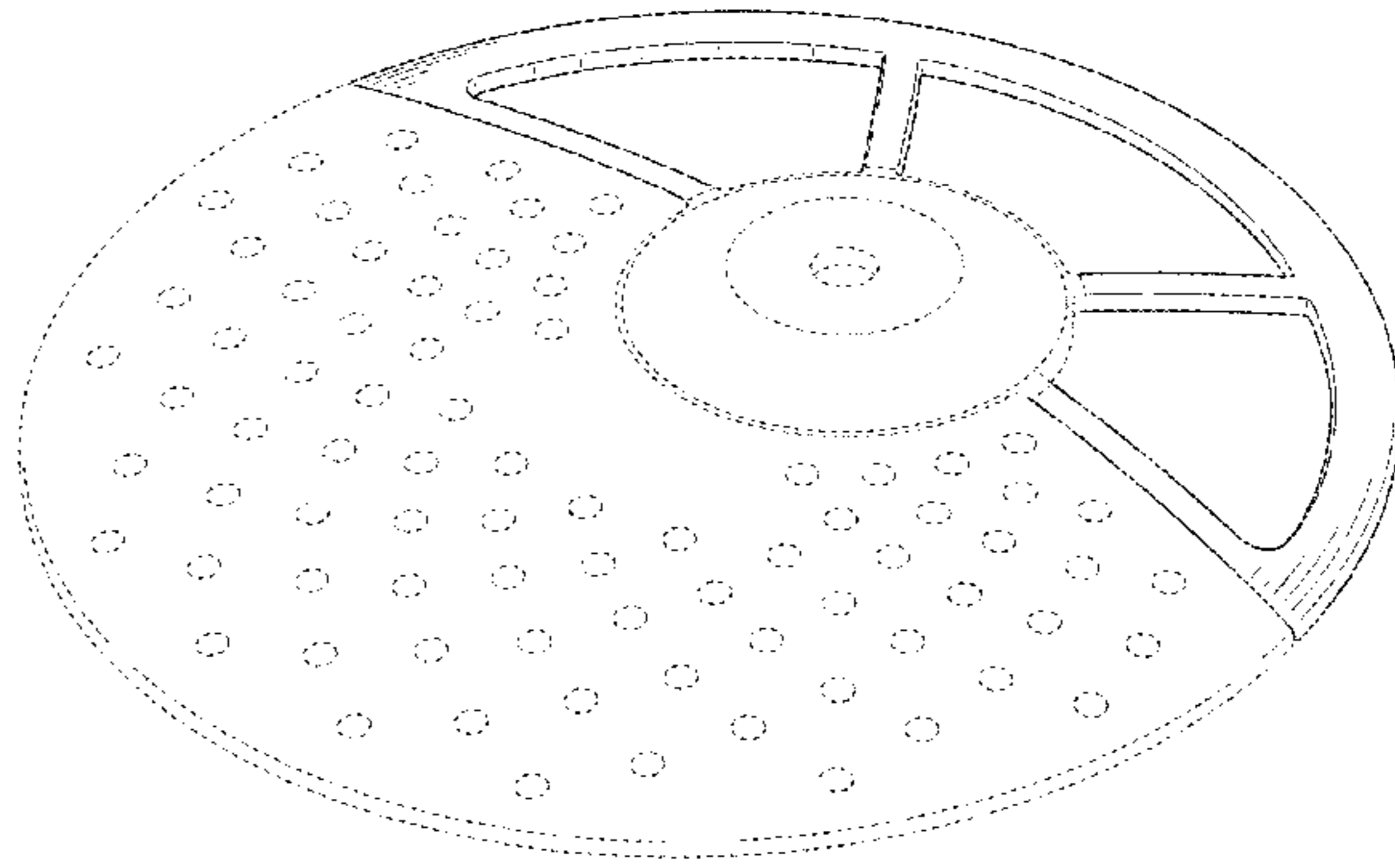
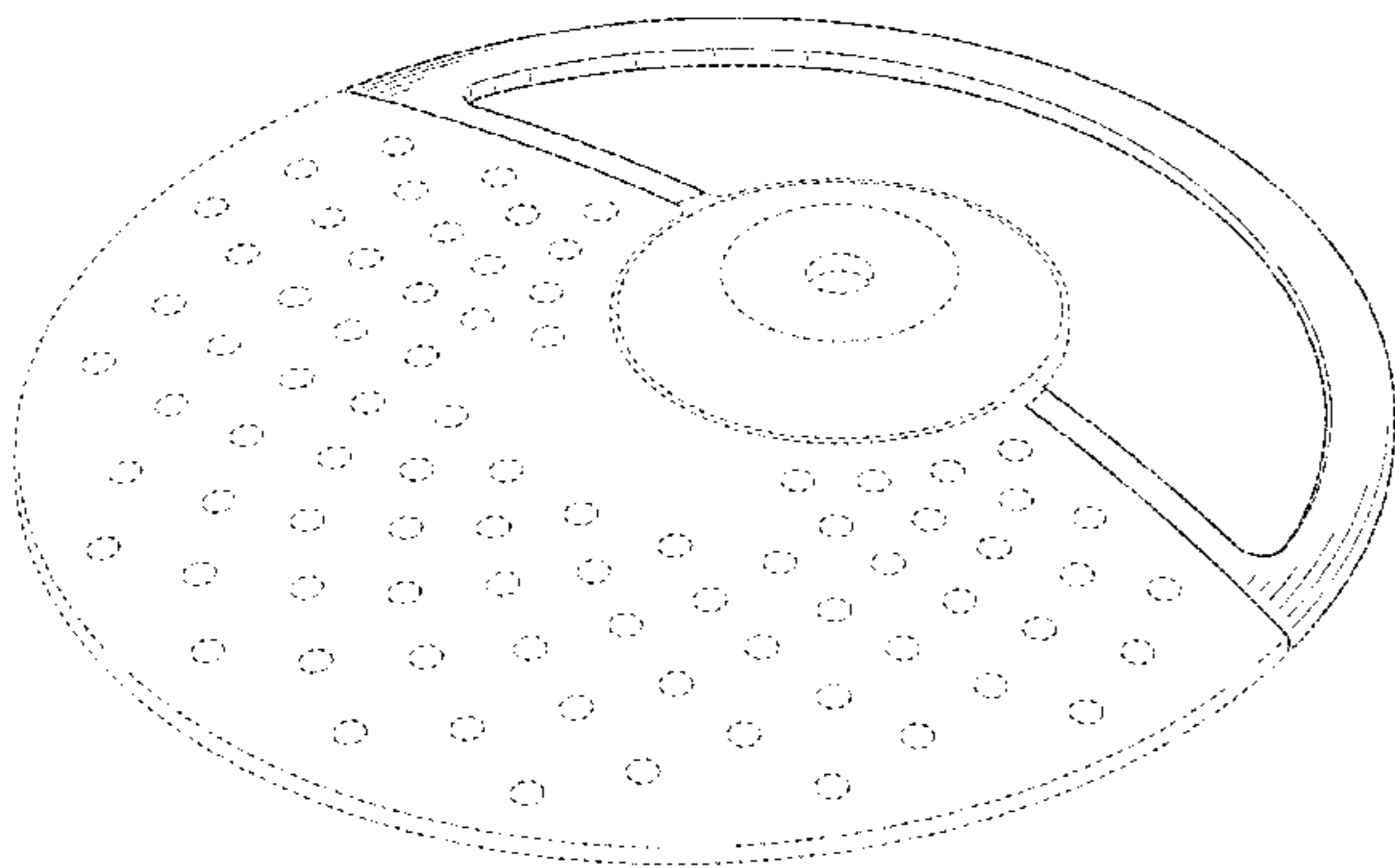
FIG. 12 is a right side view thereof

FIG. 13 is a top plan view thereof; and,

FIG. 14 is a bottom view thereof.

The broken line showing of the electronic drum pad is included for the purpose of illustrating portions of the electronic drum pad and forms no part of the claimed design.

1 Claim, 8 Drawing Sheets



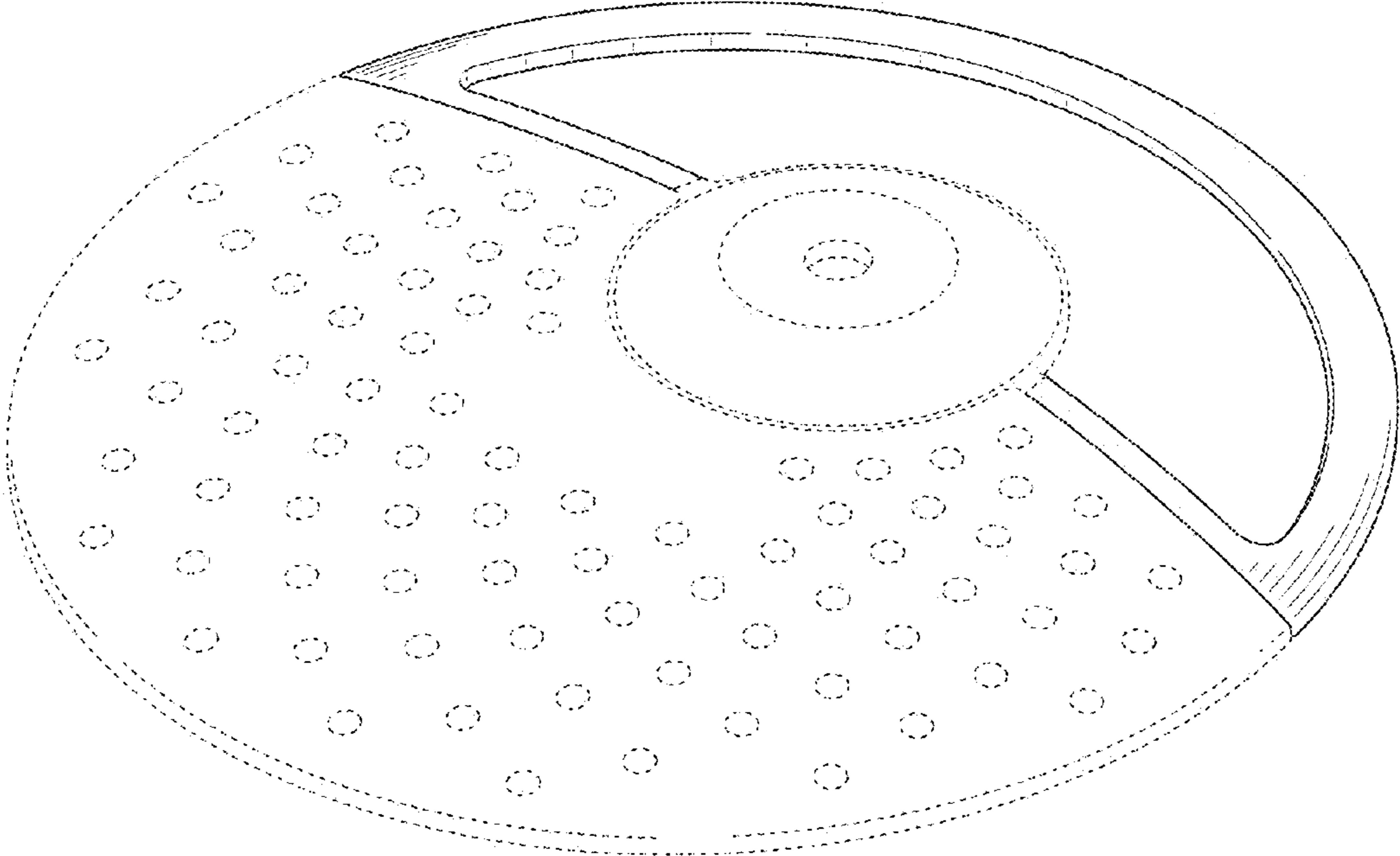


FIG. 1

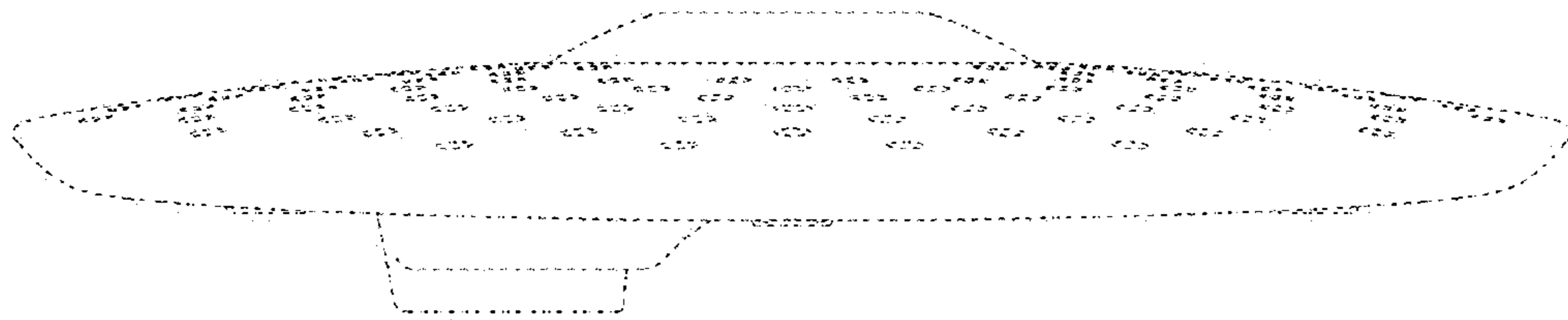


FIG. 2

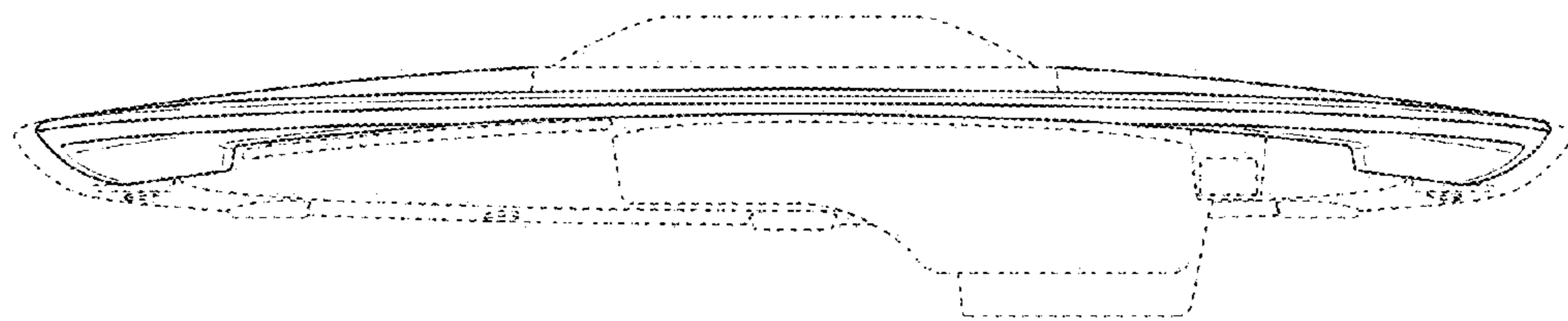


FIG. 3

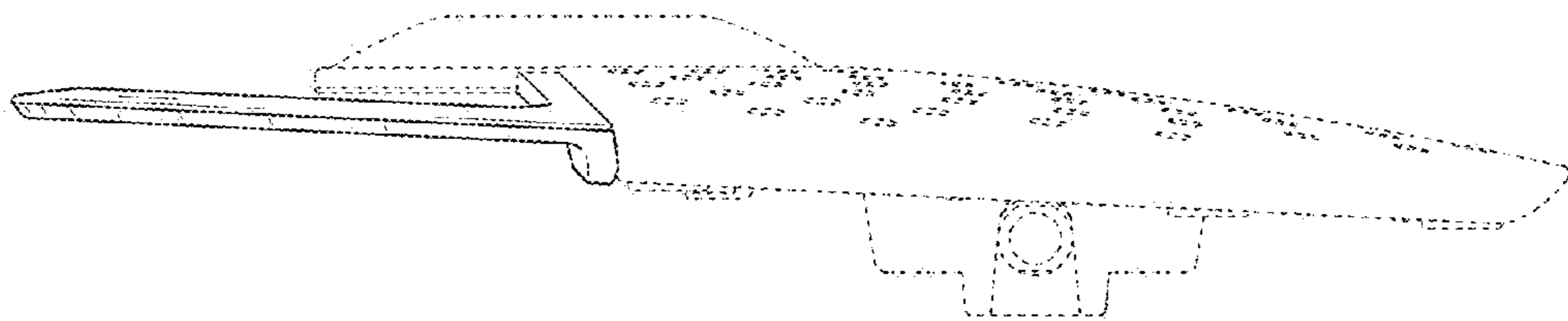


FIG. 4

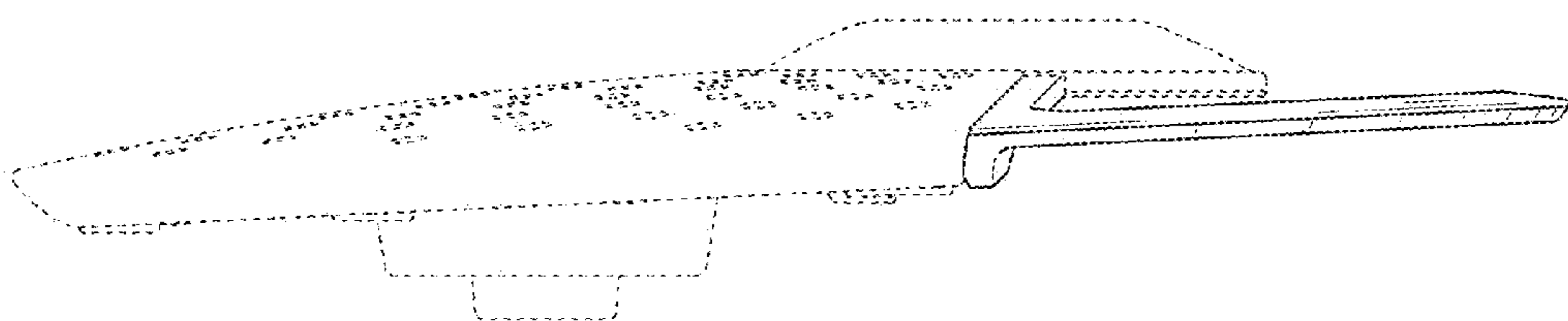


FIG. 5

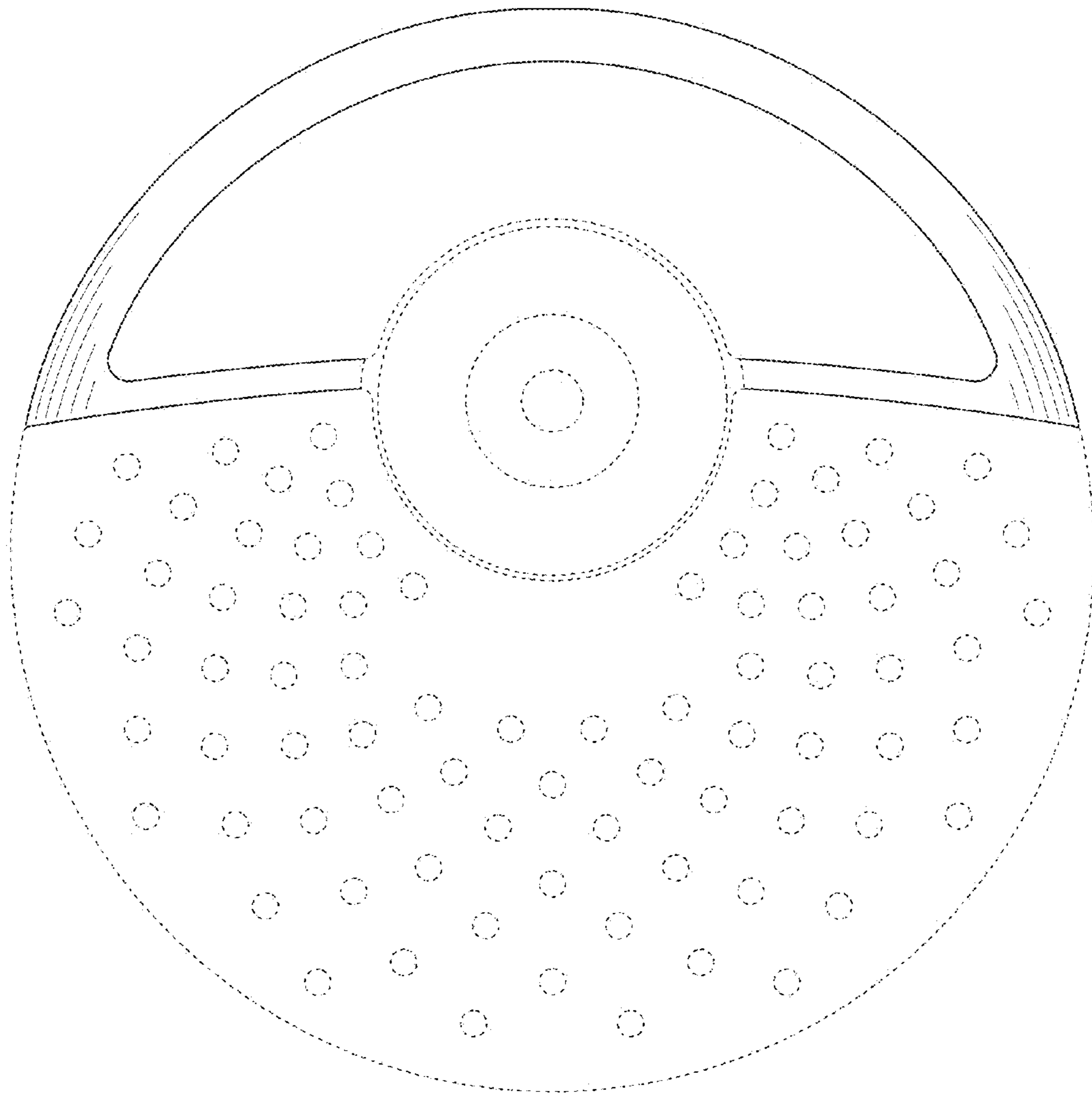


FIG. 6

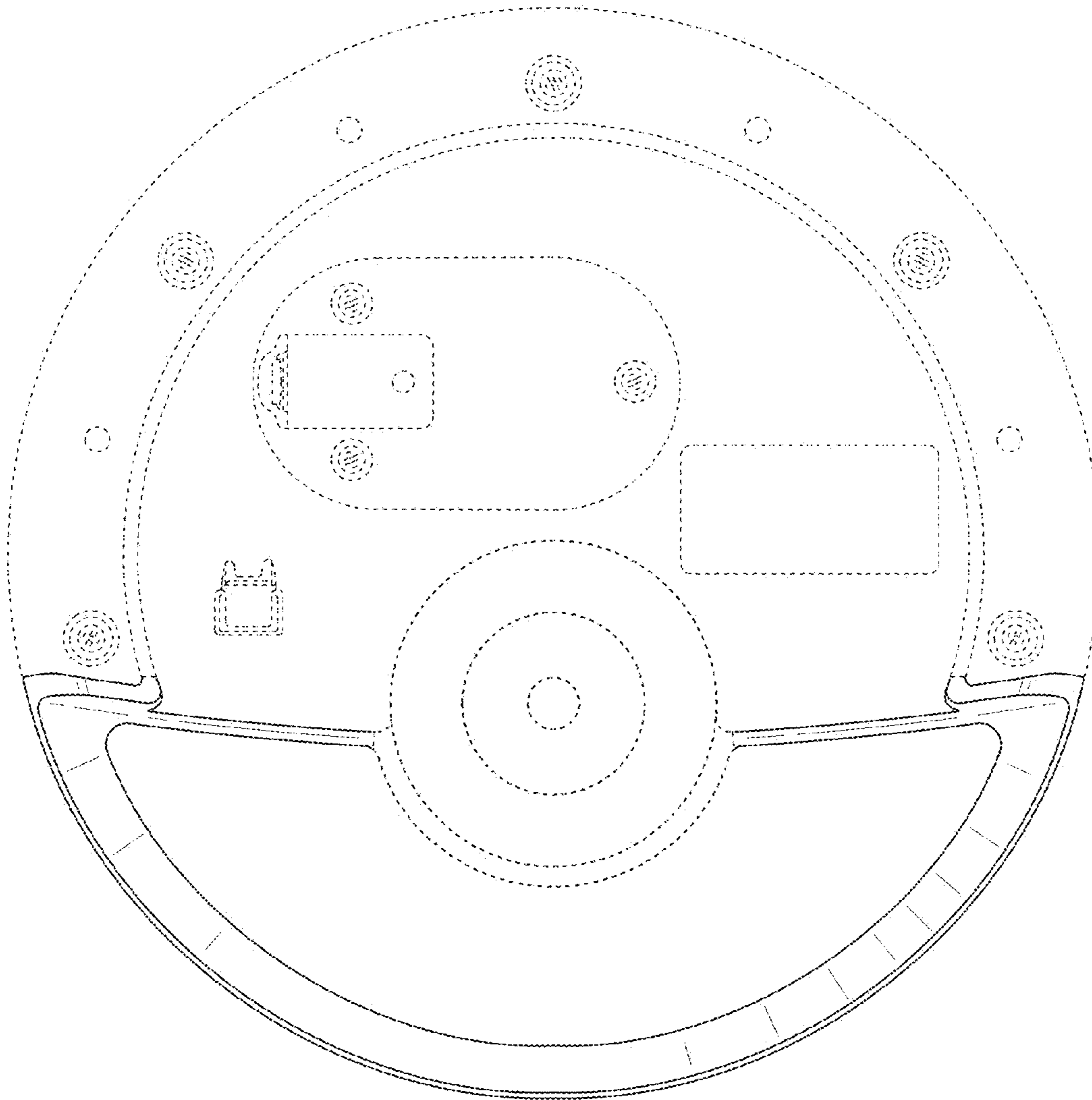


FIG. 7

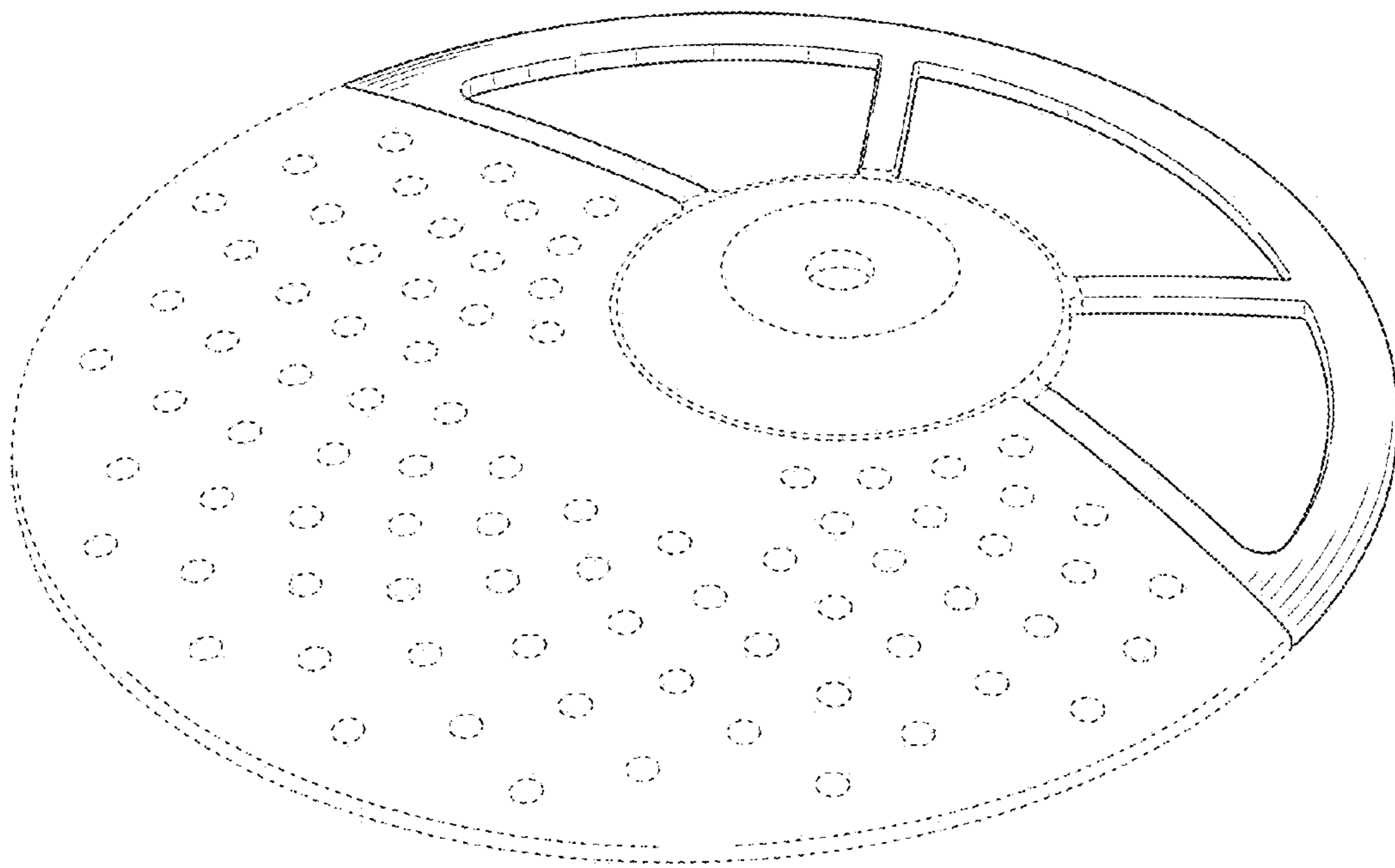


FIG. 8

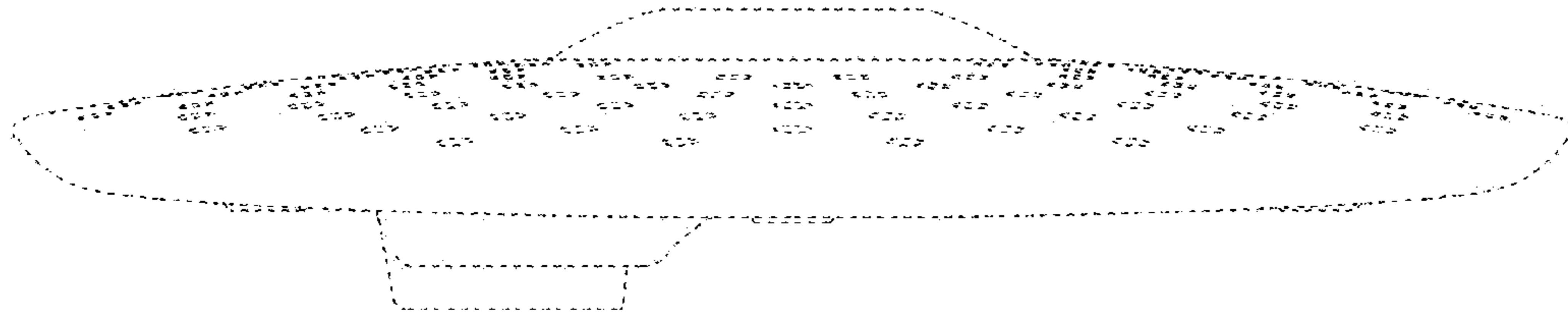


FIG. 9

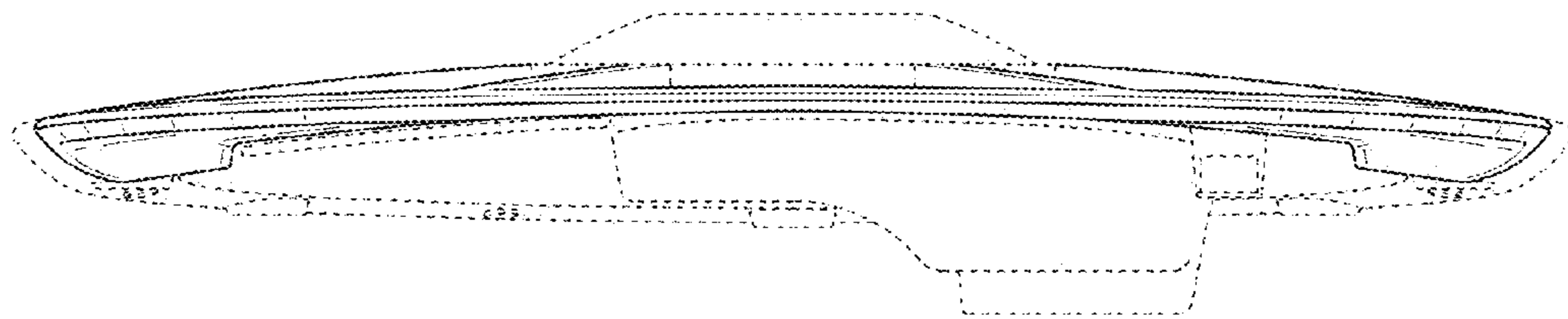


FIG. 10

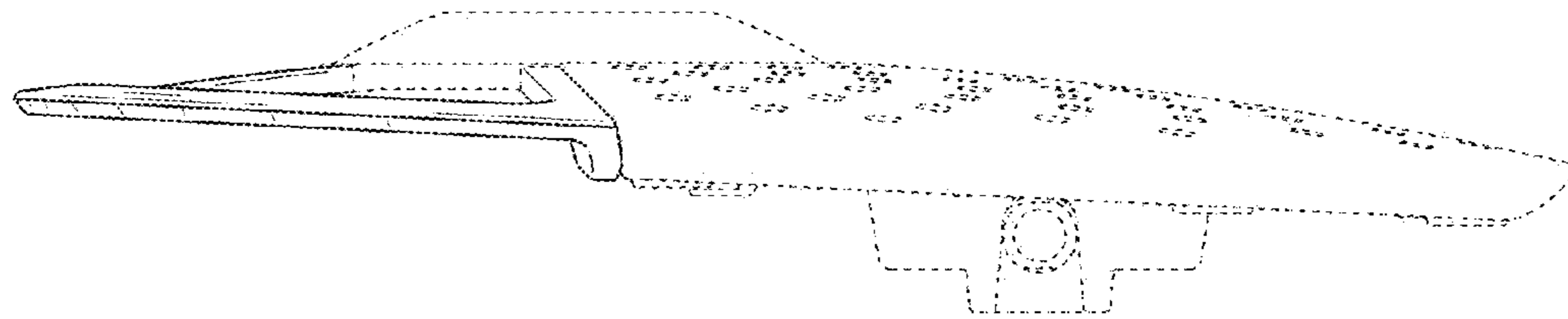


FIG. 11

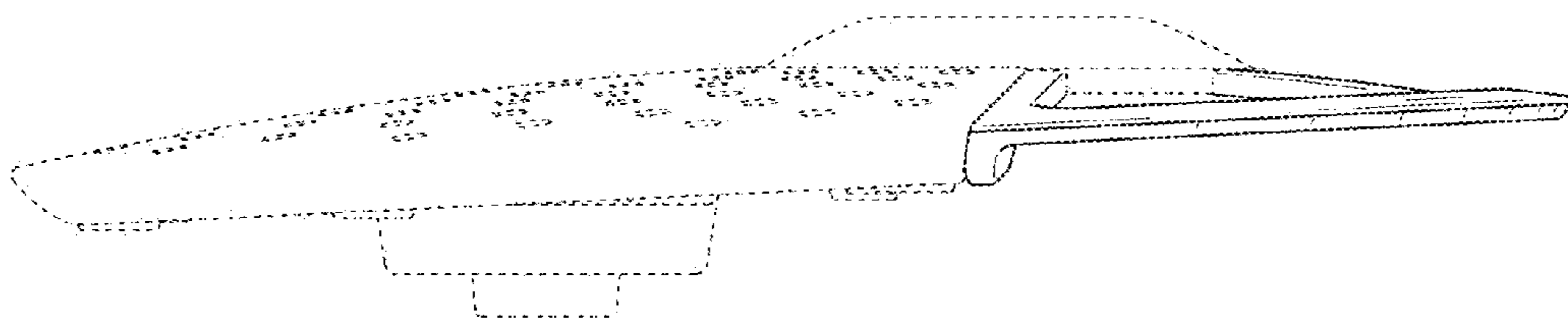


FIG. 12

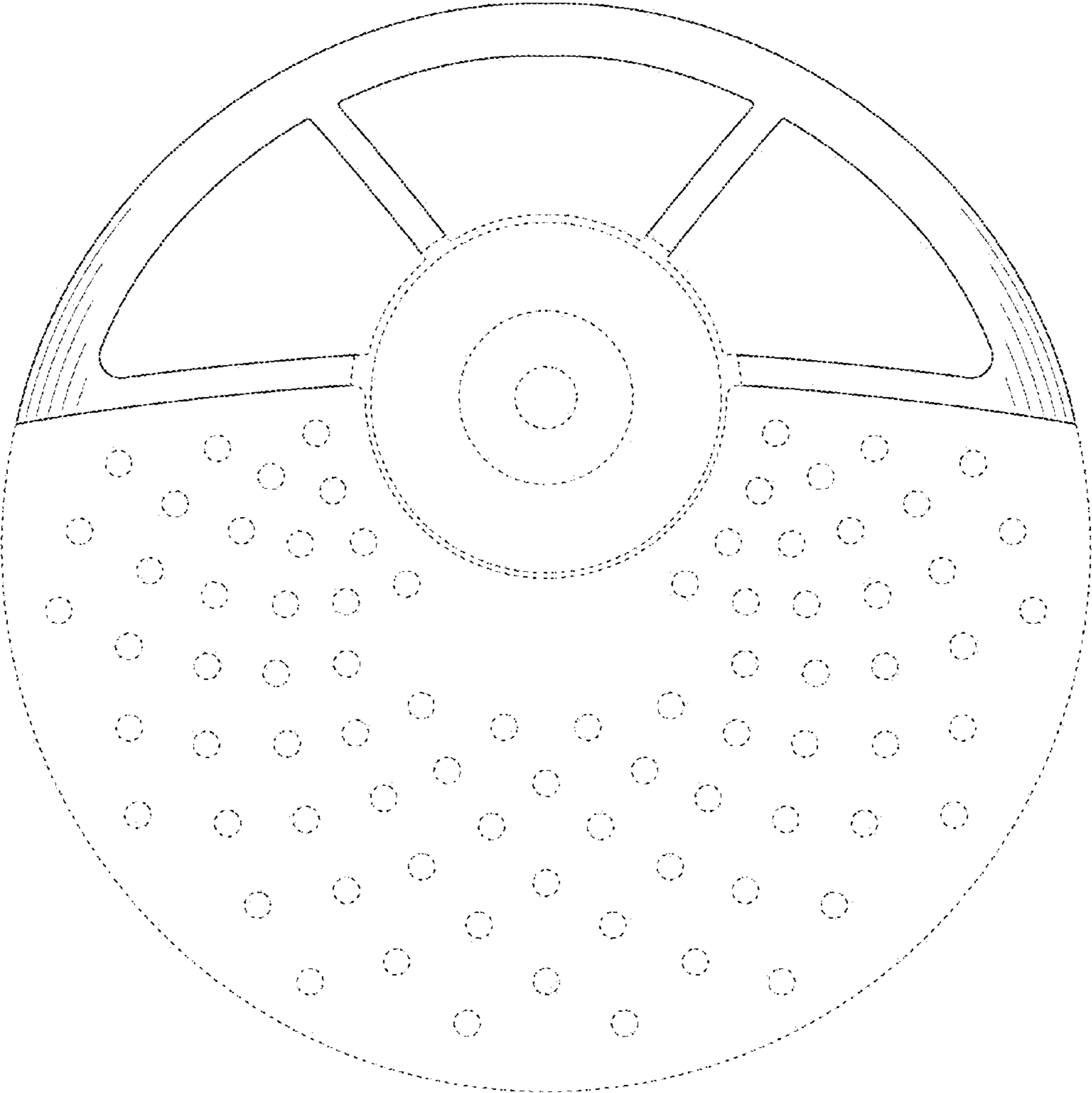


FIG. 13

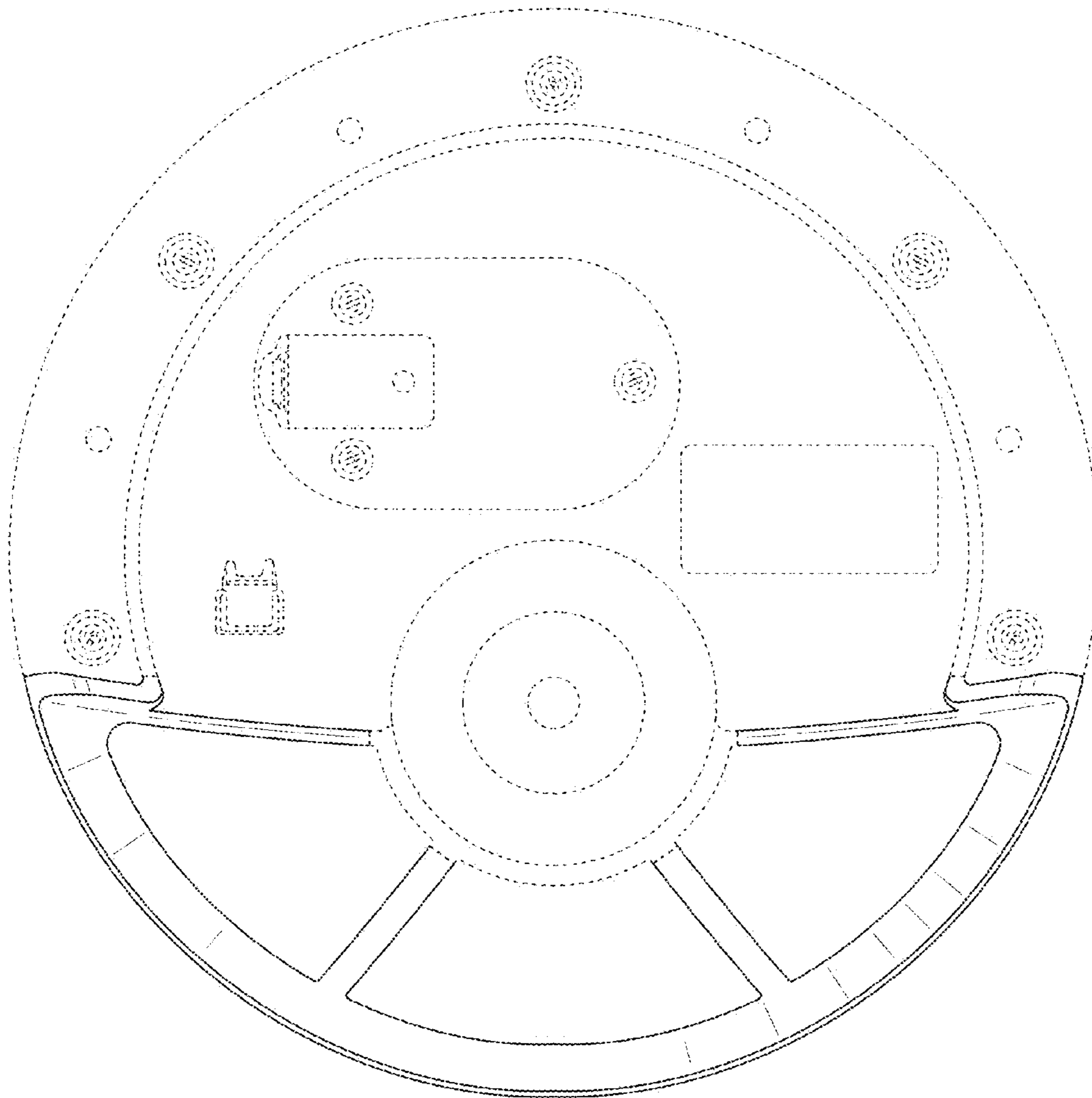


FIG. 14