



US00D688732S

(12) **United States Design Patent**
Johnson

(10) **Patent No.:** **US D688,732 S**

(45) **Date of Patent:** **** Aug. 27, 2013**

(54) **STRING INSTRUMENT SHOULDER REST**

(75) Inventor: **Kenneth Johnson**, Lerwick (GB)

(73) Assignee: **Pure Acoustic Ltd.** (GB)

(**) Term: **14 Years**

(21) Appl. No.: **29/397,067**

(22) Filed: **Jul. 11, 2011**

Related U.S. Application Data

(63) Continuation of application No. PCT/EP2010/001730, filed on Mar. 19, 2010.

(51) **LOC (9) Cl.** **17-03**

(52) **U.S. Cl.**
USPC **D17/20**

(58) **Field of Classification Search**
USPC D17/20, 17, 99; 84/278–280, 275
See application file for complete search history.

(56) **References Cited**

U.S. PATENT DOCUMENTS

D17,111	S *	2/1887	Arthyr	D17/20
D46,490	S *	10/1914	Becker	D17/20
2,064,925	A *	12/1936	Kolitsch	84/280
D334,019	S *	3/1993	Kun	D17/20
5,567,893	A *	10/1996	Kun	84/280
D385,292	S *	10/1997	Kun	D17/20
D390,252	S *	2/1998	Burward-Hoy et al.	D17/20
5,731,531	A *	3/1998	Kun	84/280
D406,269	S *	3/1999	Mach	D17/20
6,031,163	A *	2/2000	Cullum et al.	84/279
6,670,533	B1 *	12/2003	Yeh	84/278

6,680,431	B2 *	1/2004	Vanden et al.	84/279
7,064,258	B2 *	6/2006	Mea	84/278
7,265,284	B2 *	9/2007	Muir et al.	84/279
D561,236	S *	2/2008	Muir et al.	D17/20
7,368,645	B2 *	5/2008	Armstrong et al.	84/278
7,488,877	B2 *	2/2009	Cheng et al.	84/280
D636,014	S *	4/2011	Cheng	D17/20

* cited by examiner

Primary Examiner — Ian Simmons

Assistant Examiner — Carissa C Fitts

(74) *Attorney, Agent, or Firm* — Berliner & Associates

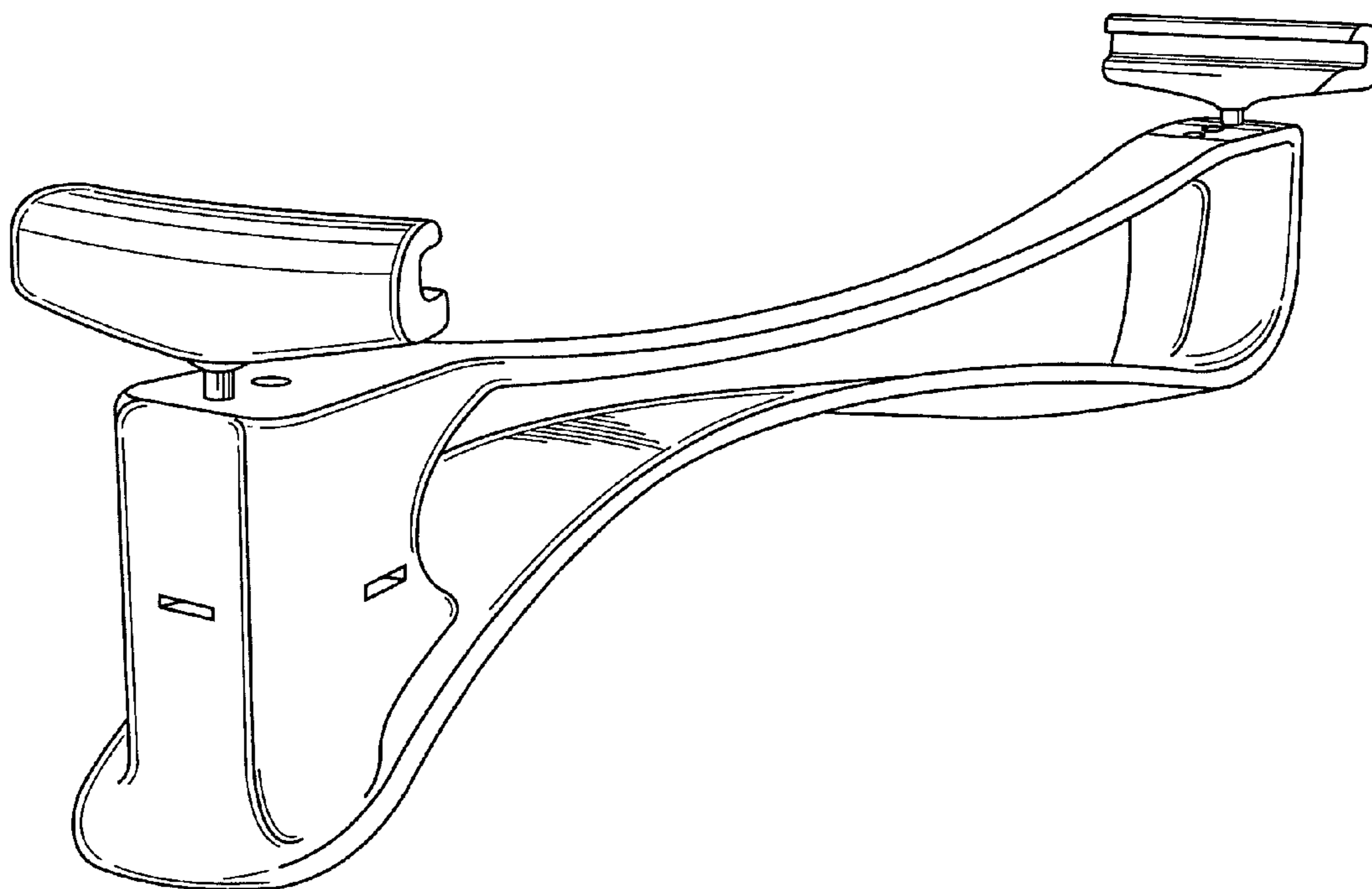
(57) **CLAIM**

The ornamental design for a string instrument shoulder rest, as shown and described.

DESCRIPTION

FIG. 1 is a rear-front perspective view of the string instrument shoulder rest of this invention;
 FIG. 2 is a left side elevation view of the string instrument shoulder rest;
 FIG. 3 is a right side elevation view of the string instrument shoulder rest;
 FIG. 4 is a bottom plan view of the string instrument shoulder rest;
 FIG. 5 is a top plan view of the string instrument shoulder rest;
 FIG. 6 is an enlarged rear elevation view of the string instrument shoulder rest; and,
 FIG. 7 is an enlarged front elevation view of the string instrument shoulder rest.

1 Claim, 4 Drawing Sheets



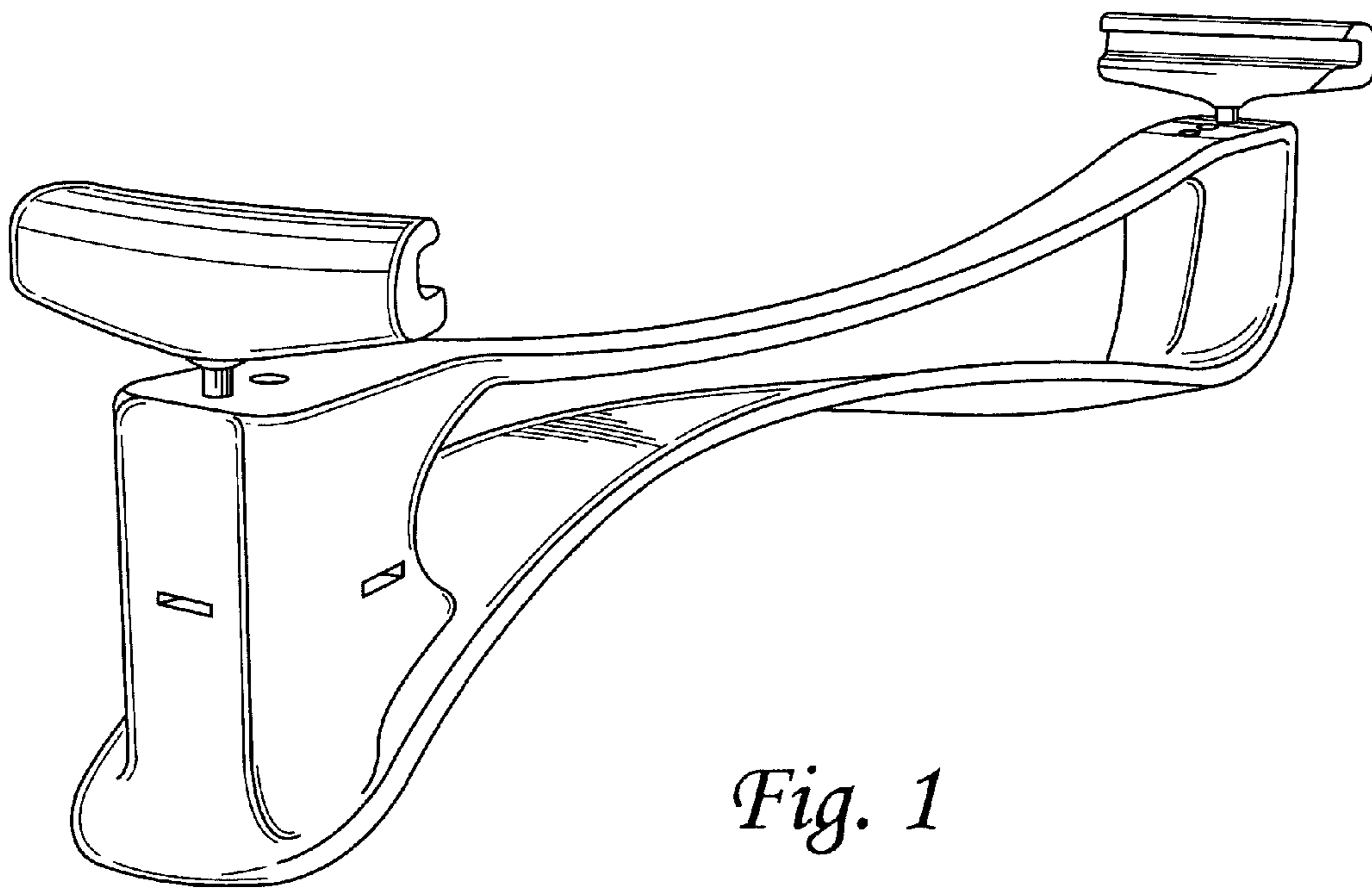


Fig. 1

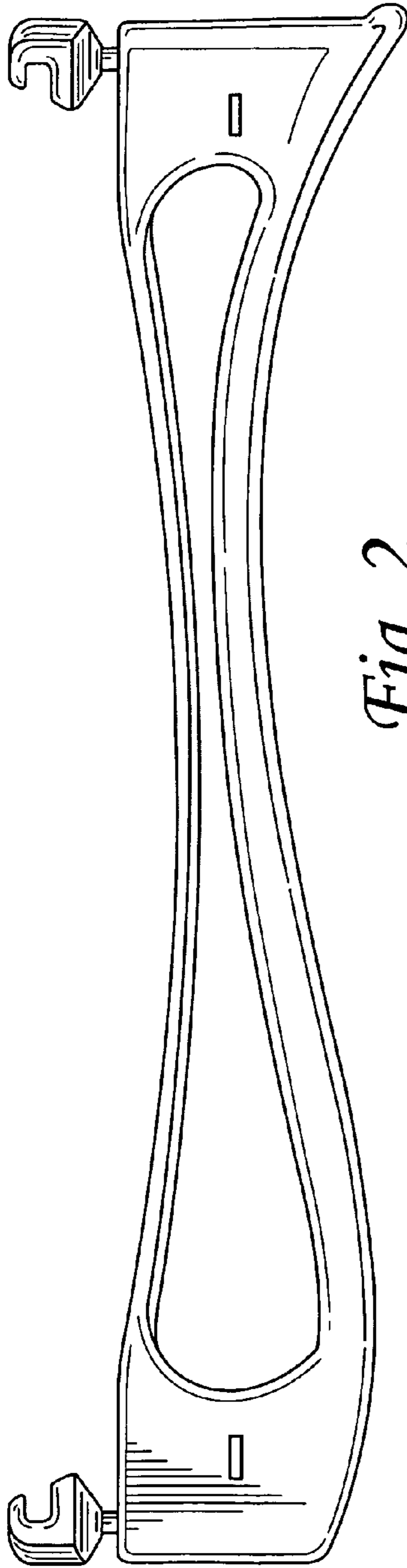


Fig. 2

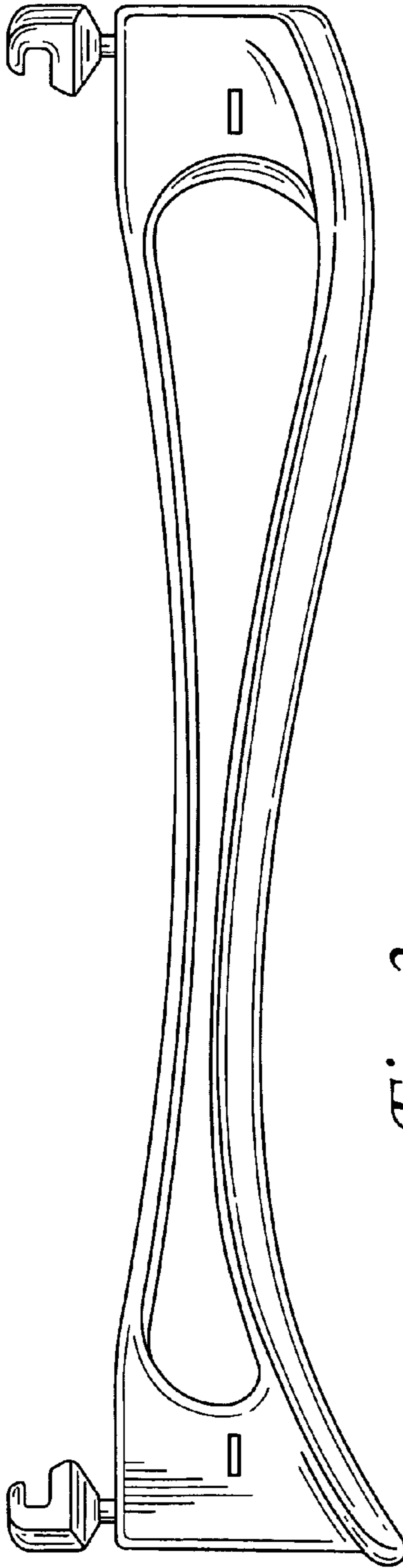


Fig. 3

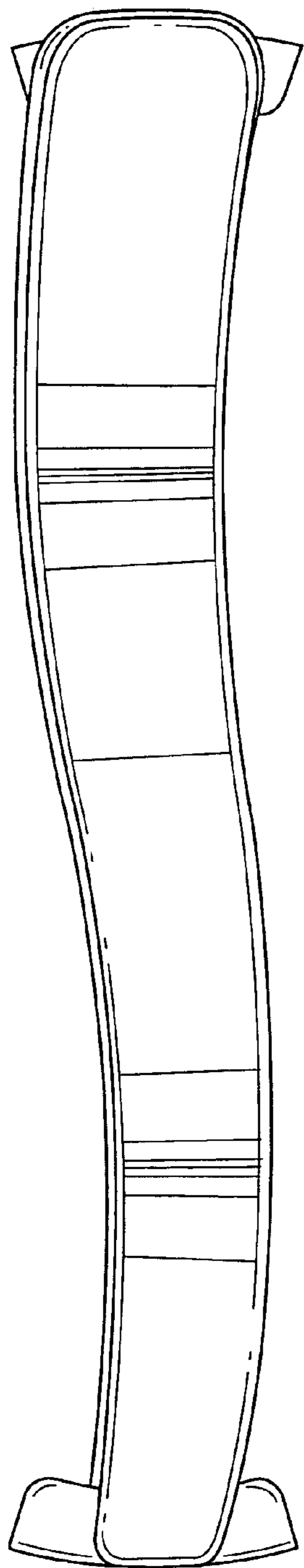


Fig. 4

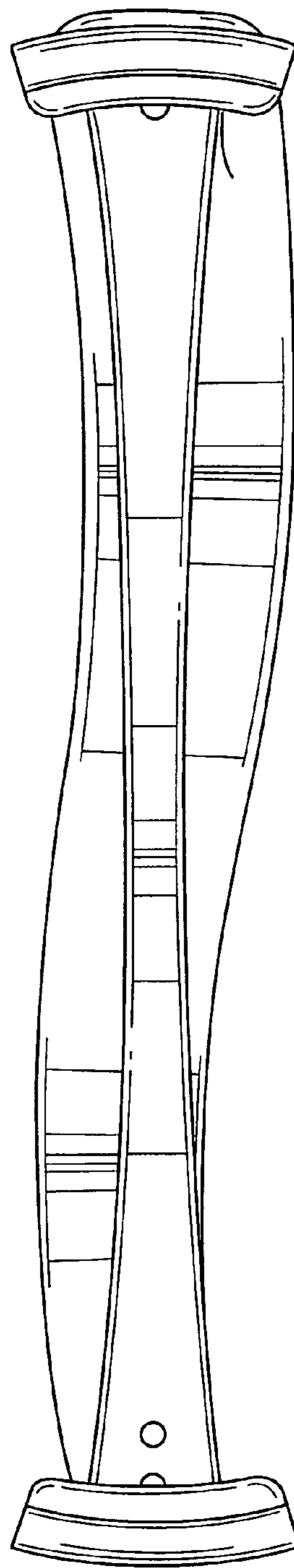


Fig. 5

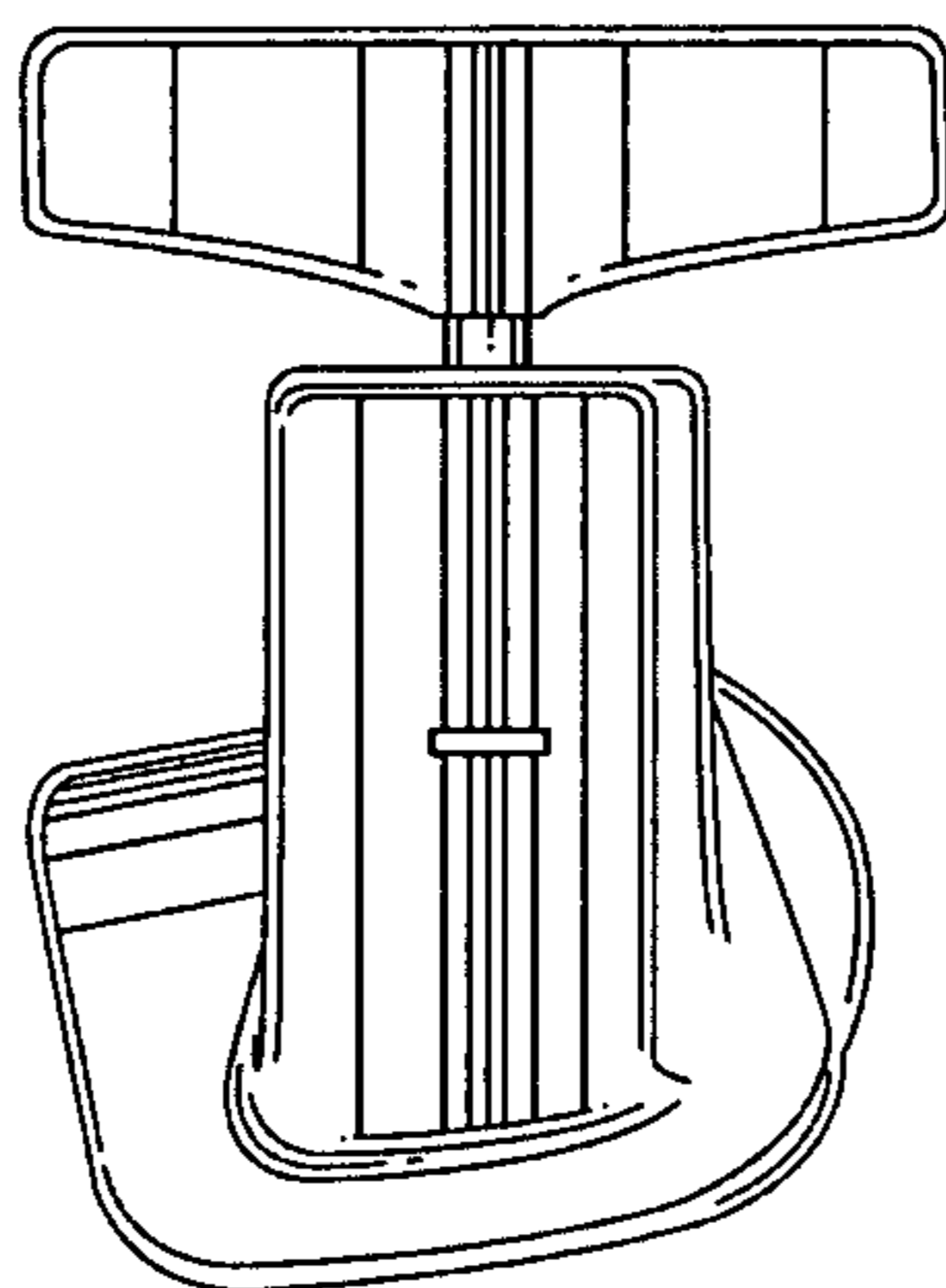


Fig. 6

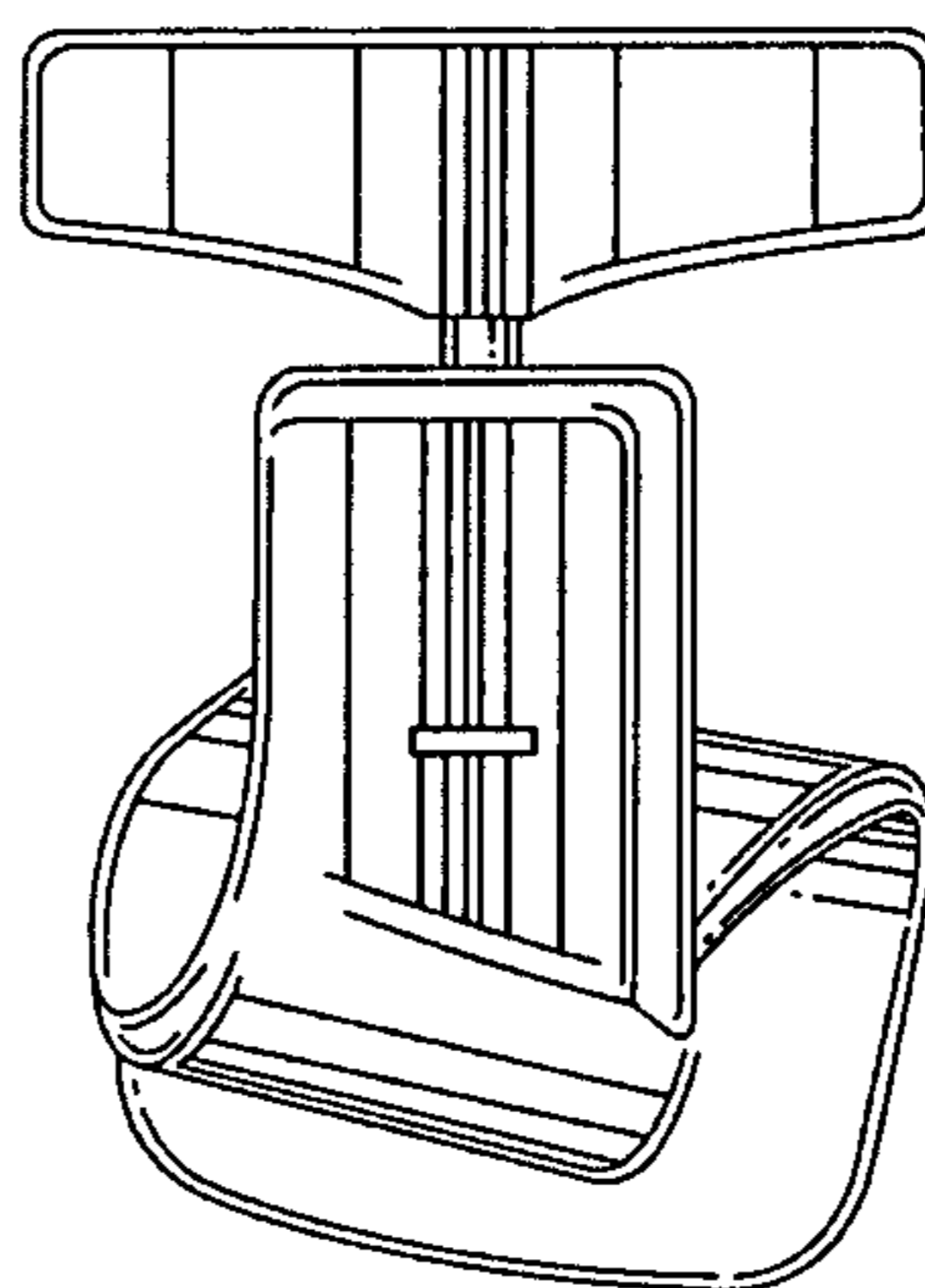


Fig. 7