



US00D688731S

(12) **United States Design Patent**
Bogdan et al.

(10) **Patent No.:** **US D688,731 S**

(45) **Date of Patent:** **** Aug. 27, 2013**

(54) **TUNER**

D518,086 S * 3/2006 Ito D17/99
D604,760 S * 11/2009 Small D17/20
D666,664 S * 9/2012 Steinberger D17/99

(75) Inventors: **John Bogdan**, Providence, UT (US);
Jim Pennock, Salt Lake City, UT (US);
William Clements, Salt Lake City, UT
(US)

* cited by examiner

(73) Assignee: **Harman International Industries, Incorporated**, Northridge, CA (US)

Primary Examiner — Ian Simmons

Assistant Examiner — Carissa C Fitts

(**) Term: **14 Years**

(74) *Attorney, Agent, or Firm* — Plumsea Law Group, LLC

(21) Appl. No.: **29/382,791**

(57) **CLAIM**

We claim the ornamental design for a tuner, as shown and described.

(22) Filed: **Jan. 7, 2011**

DESCRIPTION

(51) **LOC (9) Cl.** **17-03**

FIG. 1 is a perspective view of a tuner showing my new design;

(52) **U.S. Cl.**

FIG. 2 is a top view thereof, with the cover completely removed;

USPC **D17/20**

FIG. 3 is a top view thereof, with a solid cover attached;

(58) **Field of Classification Search**

USPC D17/20, 21, 99; 84/200, 312 R,
84/312 P, 454, 455, DIG. 18

FIG. 4 is a top view thereof, with a translucent cover attached;

See application file for complete search history.

FIG. 5 is a bottom plan view thereof;

FIG. 6 is a front plan view thereof;

FIG. 7 is a back plan view thereof;

FIG. 8 is a left side elevation view thereof; and,

FIG. 9 is a right side elevation view thereof.

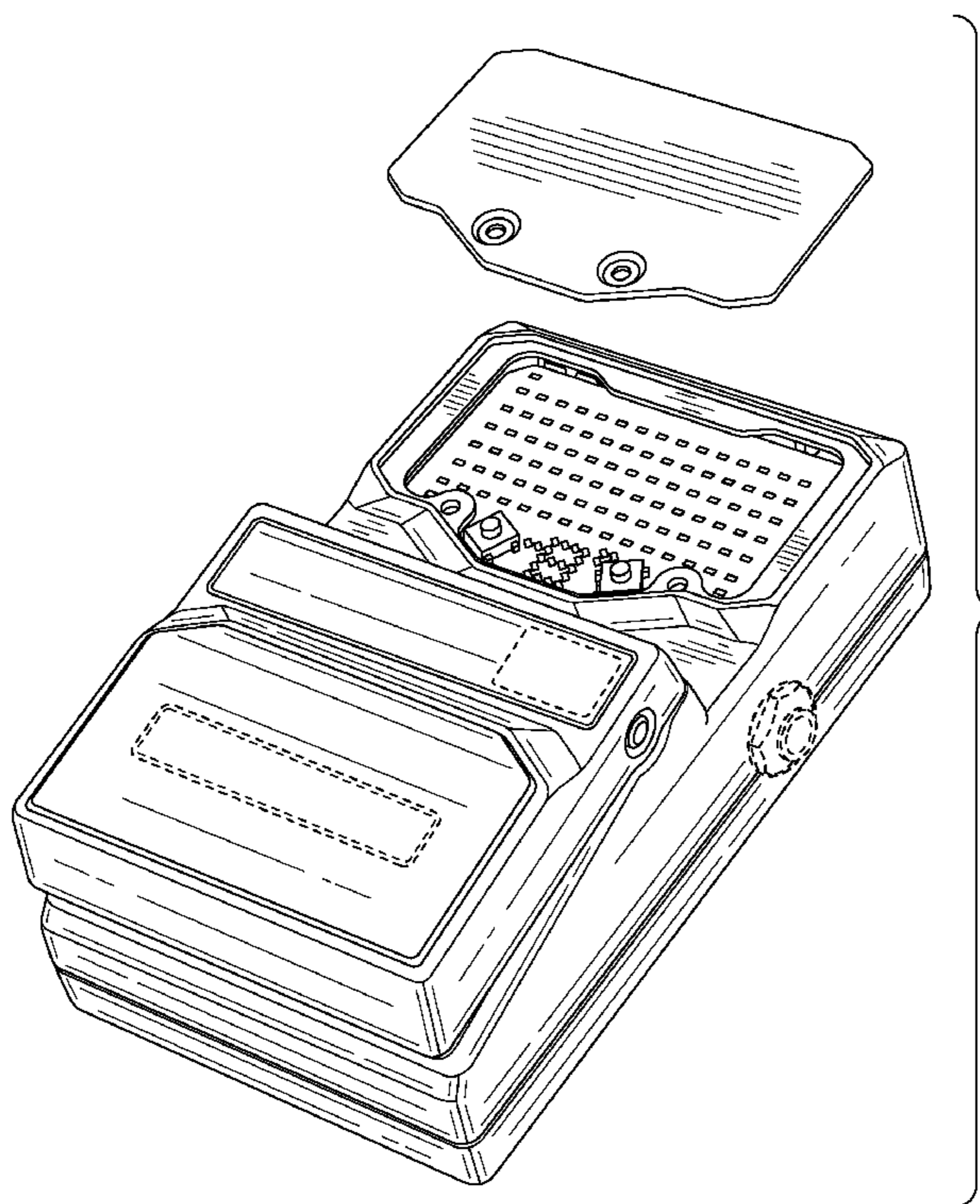
The broken lines in the drawings showing the arcs, circles, ovals, rectangles and features, words and symbols on the top and bottom faces are for illustrative purposes only and form no part of the claimed design.

(56) **References Cited**

U.S. PATENT DOCUMENTS

D343,186 S * 1/1994 Omuro D17/99
D387,798 S * 12/1997 Miura D17/99
D426,226 S * 6/2000 Ridinger D14/188
D487,905 S * 3/2004 Nelson et al. D17/99
6,797,872 B1 * 9/2004 Catalano et al. 84/454

1 Claim, 9 Drawing Sheets



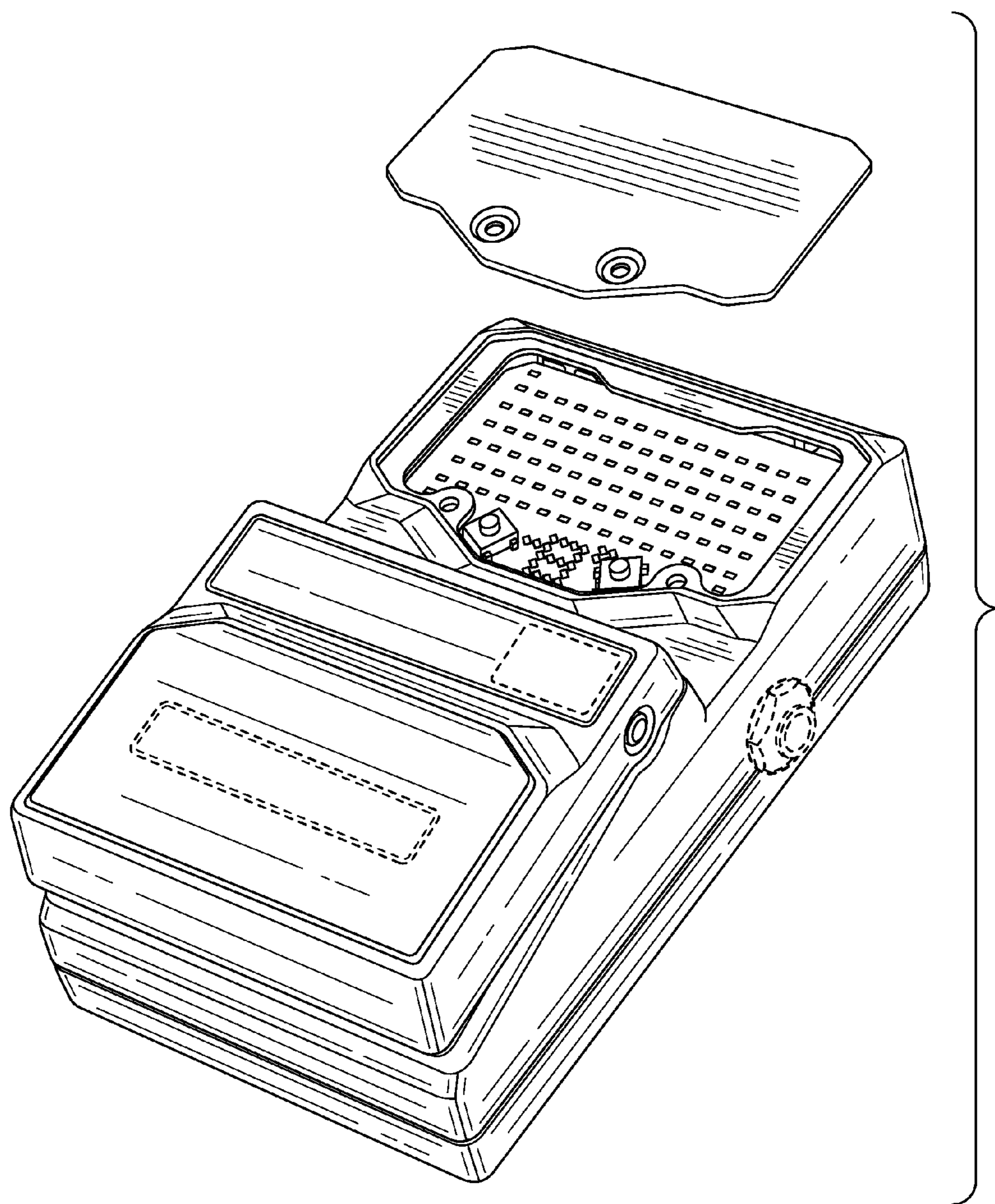


FIG. 1

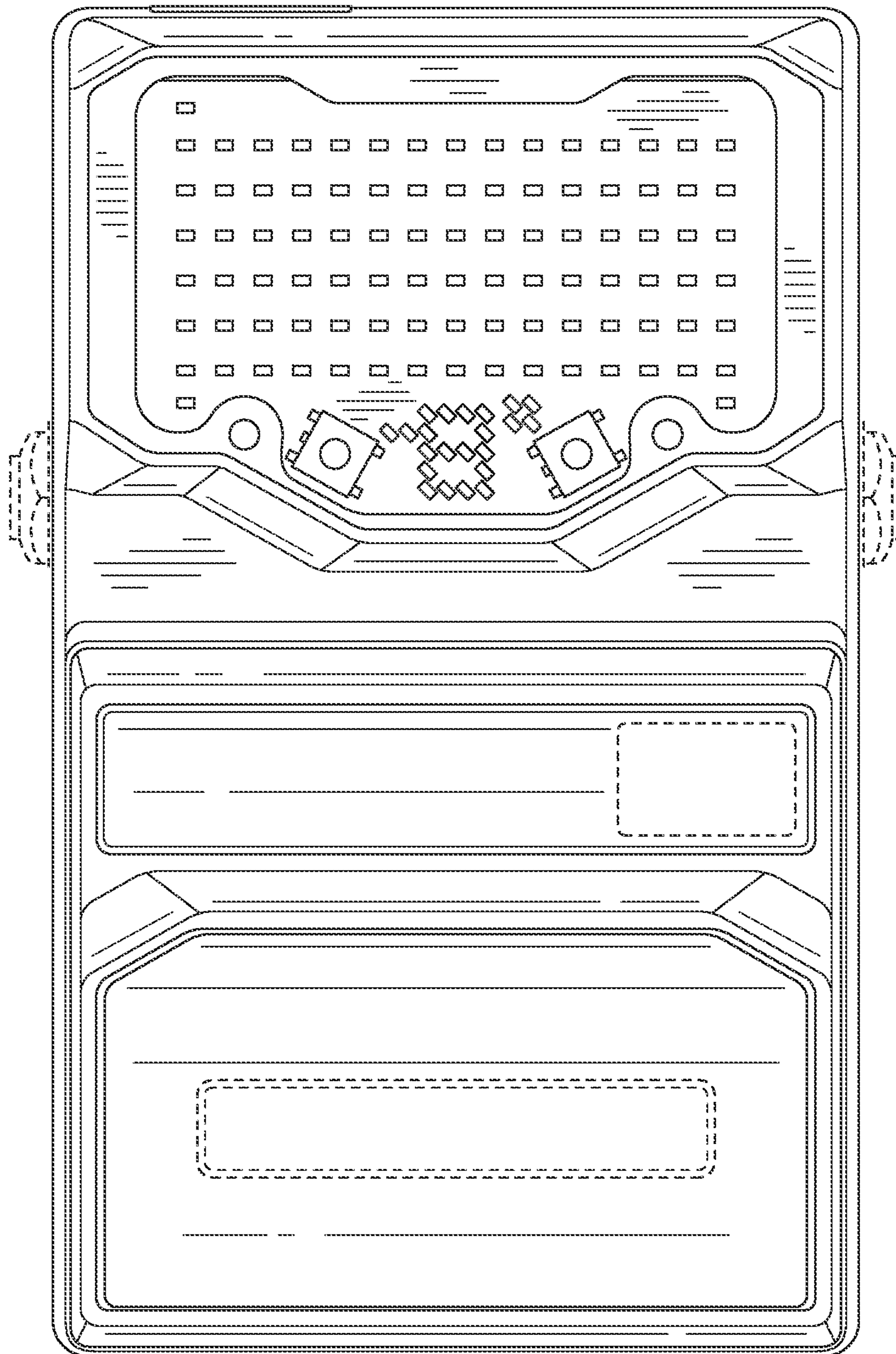


FIG. 2

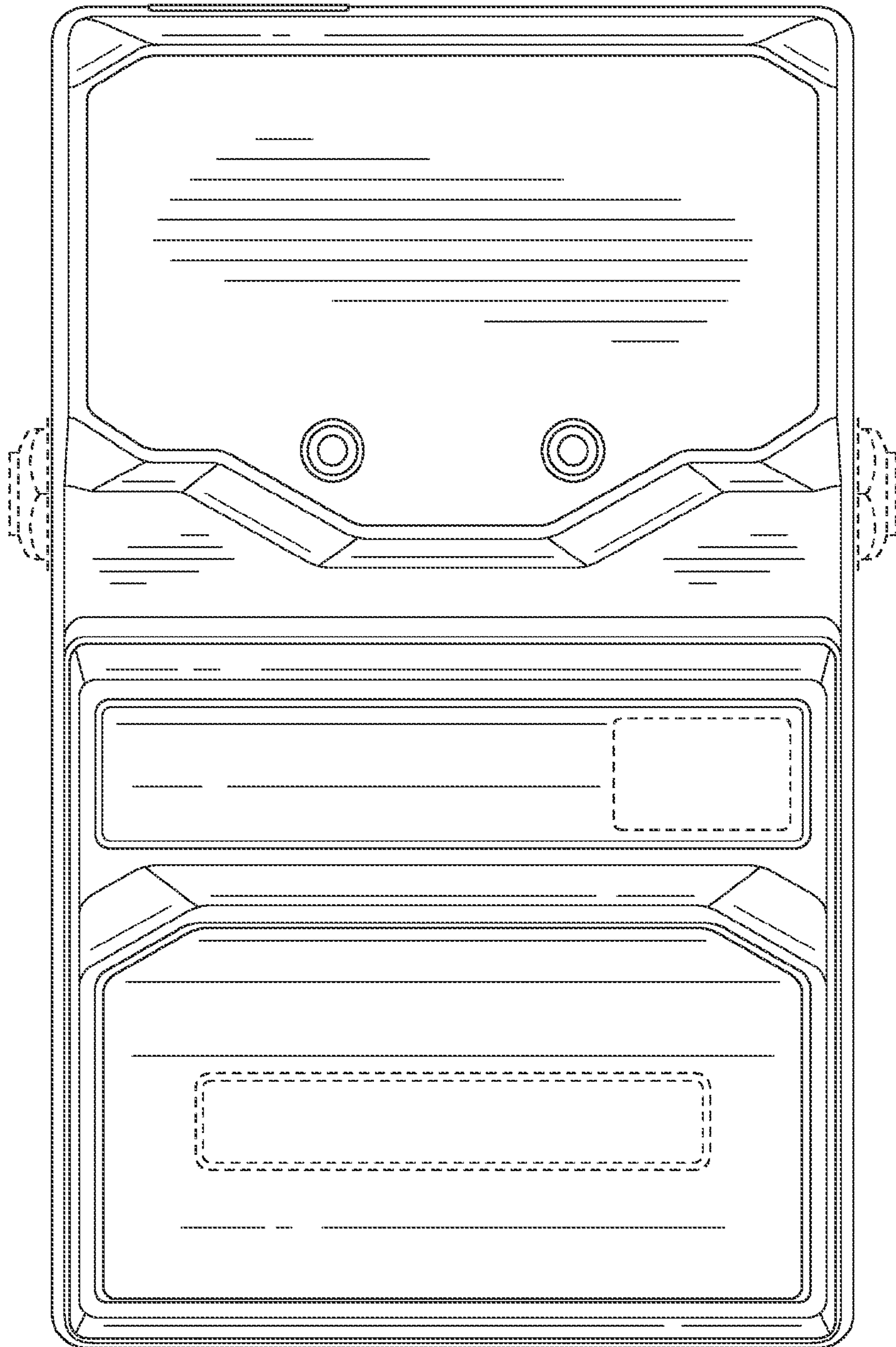


FIG. 3

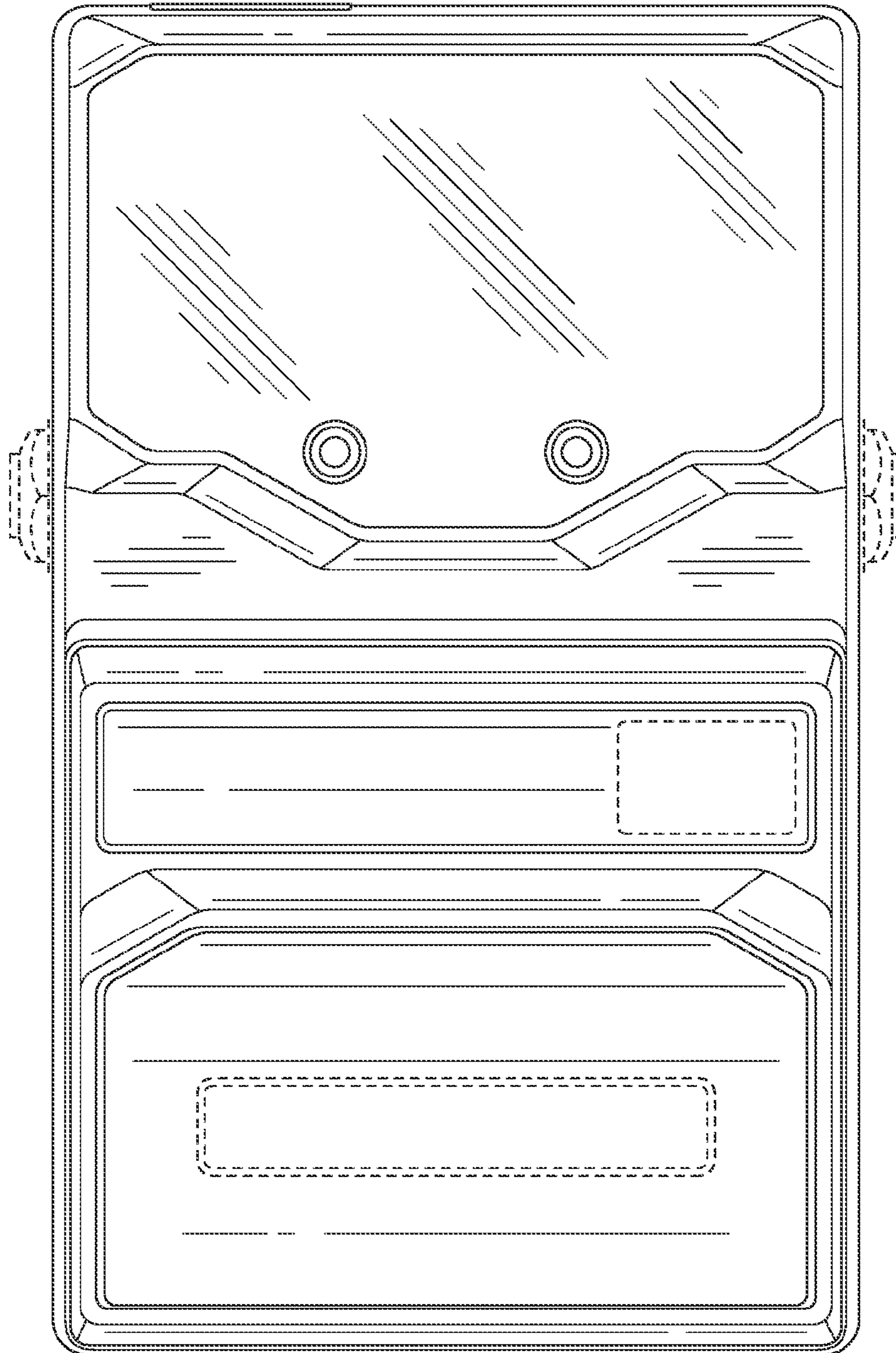


FIG. 4

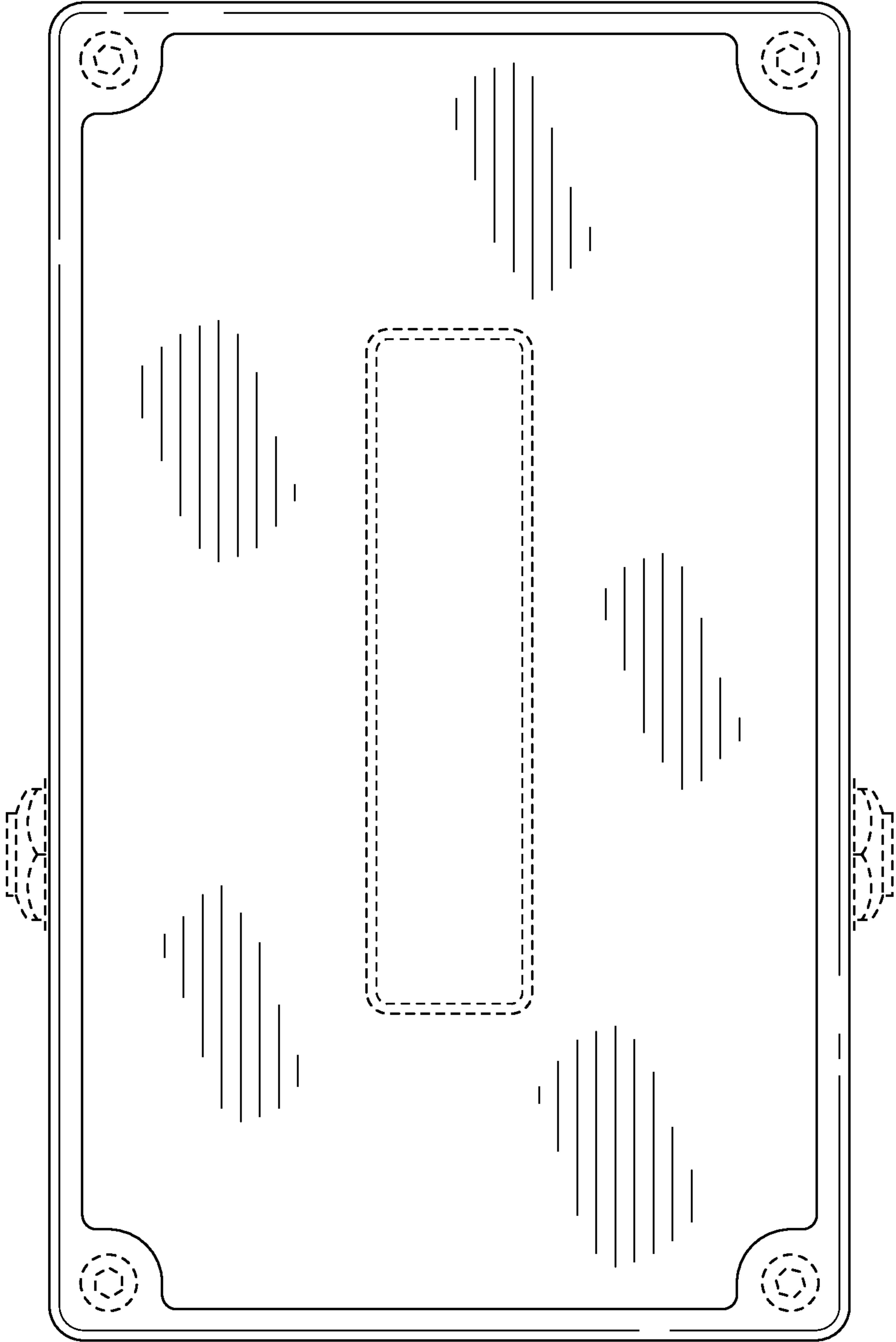


FIG. 5

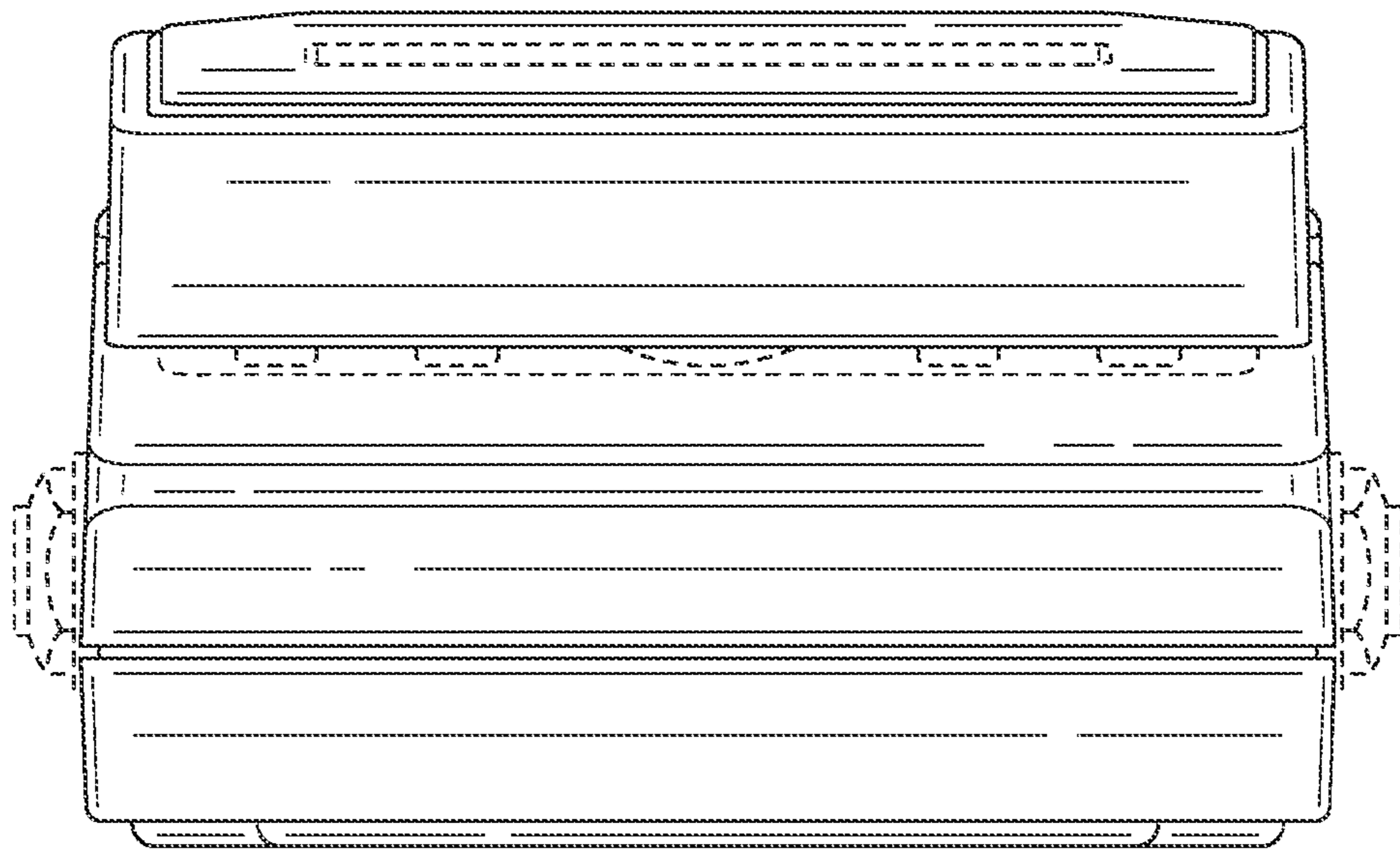


FIG. 6

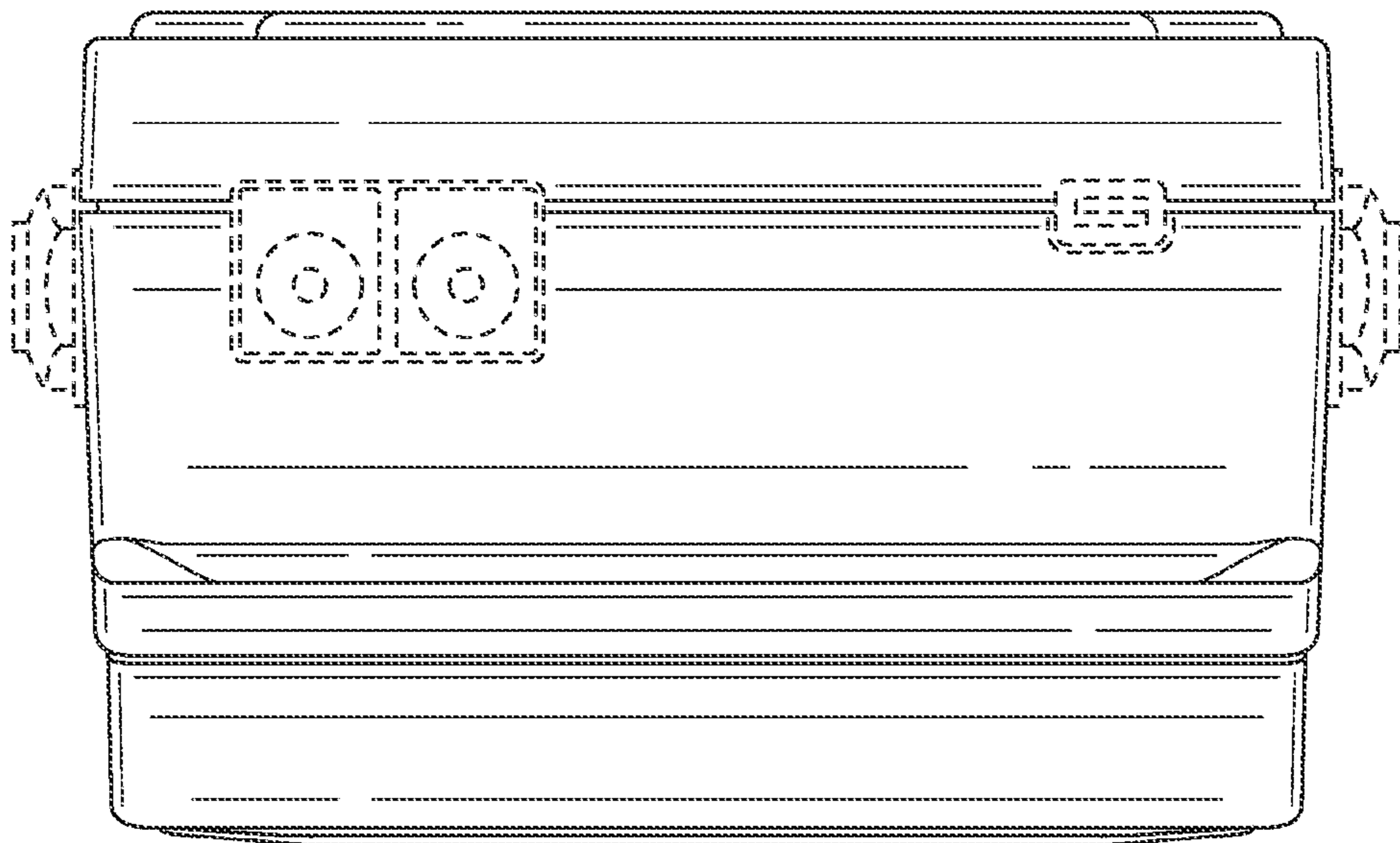


FIG. 7

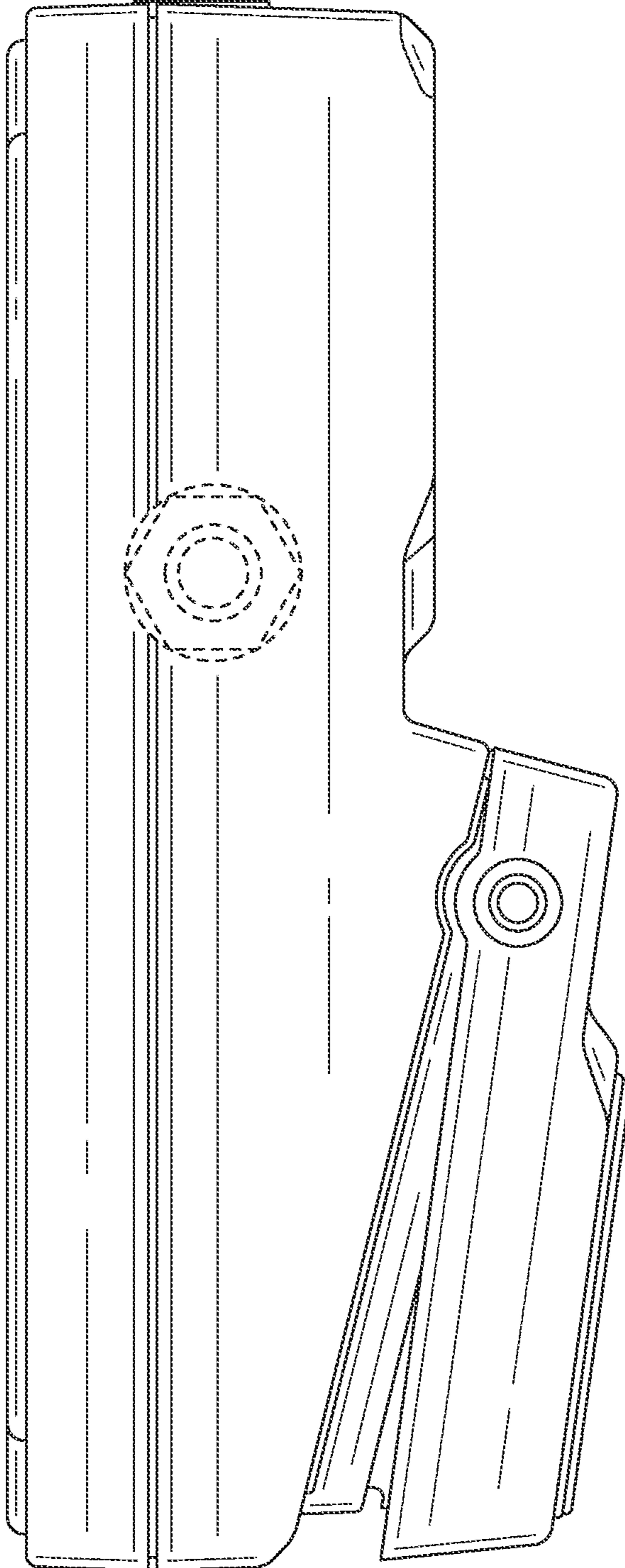


FIG. 8

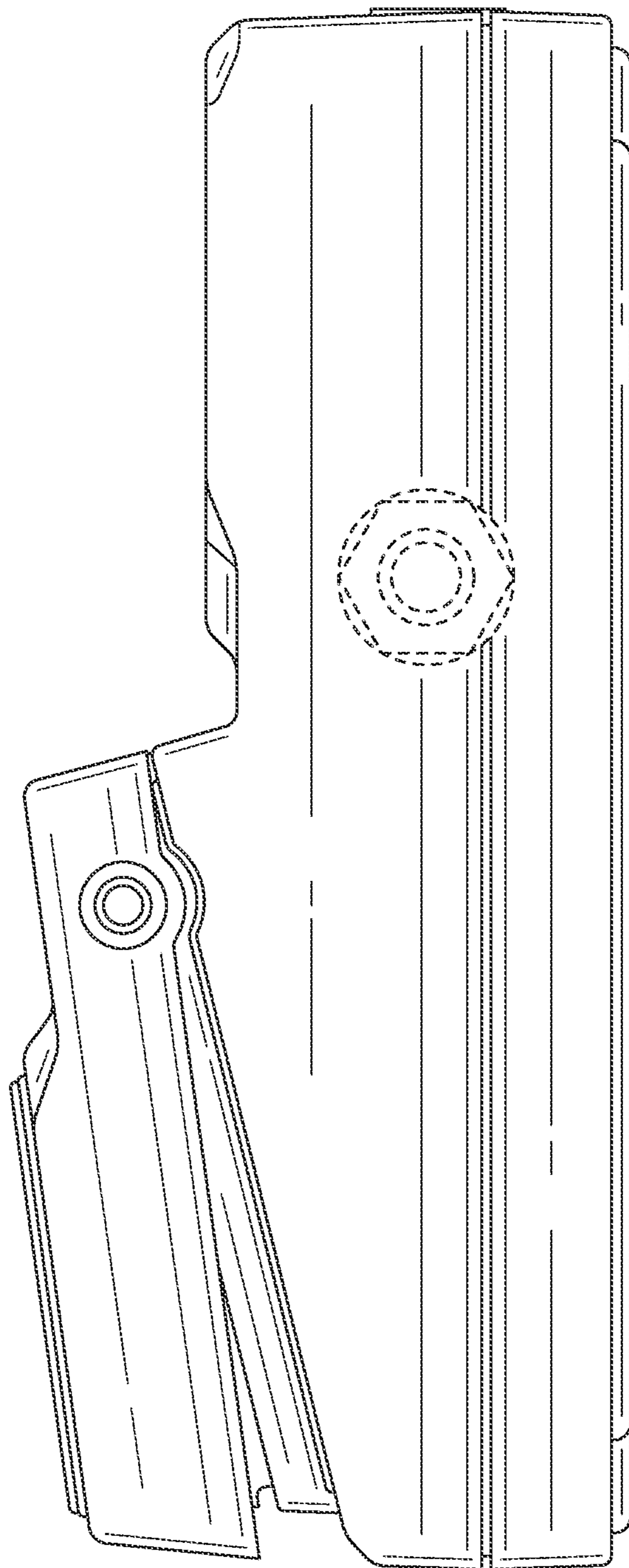


FIG. 9