



US00D688730S

(12) **United States Design Patent**  
**Suzuki et al.**

(10) **Patent No.:** **US D688,730 S**

(45) **Date of Patent:** **\*\* Aug. 27, 2013**

(54) **PIANO**

(71) Applicant: **Yamaha Corporation**, Hamamatsu (JP)

(72) Inventors: **Toshihide Suzuki**, Hamamatsu (JP);  
**Shigeki Iida**, Hamamatsu (JP)

(73) Assignee: **Yamaha Corporation**, Shizuoka (JP)

(\*\*) Term: **14 Years**

(21) Appl. No.: **29/439,209**

(22) Filed: **Dec. 7, 2012**

**Related U.S. Application Data**

(62) Division of application No. 29/365,822, filed on Jul. 15, 2010, now Pat. No. Des. 676,899.

(30) **Foreign Application Priority Data**

Mar. 16, 2010 (JP) ..... 2010-006392  
Mar. 31, 2010 (JP) ..... 2010-008089

(51) **LOC (9) Cl.** ..... **17-01**

(52) **U.S. Cl.**  
USPC ..... **D17/8**

(58) **Field of Classification Search**  
USPC ..... D17/7, 8; 84/172, 174, 423 R; D21/405,  
D21/409

See application file for complete search history.

(56) **References Cited**

**U.S. PATENT DOCUMENTS**

D72,894 S 6/1927 Farny  
1,638,629 A \* 8/1927 Gulbransen ..... 84/27  
D74,770 S 3/1928 Zaiser  
1,682,767 A 9/1928 John  
D78,246 S \* 4/1929 Zaiser ..... D17/8  
1,794,816 A 3/1931 Zeltner  
D152,089 S \* 12/1948 Kapphan ..... D17/8

D168,962 S \* 3/1953 Millington ..... D17/8  
D168,982 S 3/1953 Millington et al.  
3,969,970 A 7/1976 Swift et al.  
D260,528 S \* 9/1981 Decker ..... D17/8  
D310,232 S \* 8/1990 Dong ..... D17/8  
D322,089 S 12/1991 Orris  
D336,648 S \* 6/1993 Hsu ..... D14/217  
D345,967 S \* 4/1994 Kroner ..... D14/335

(Continued)

**FOREIGN PATENT DOCUMENTS**

JP 0809004 S 3/1991  
JP 09212153 A \* 8/1997

(Continued)

**OTHER PUBLICATIONS**

Korean Office Action issued Sep. 16, 2011 in corresponding Korean Patent Application No. 30-2010-0030384.

*Primary Examiner* — Rashida Johnson

(74) *Attorney, Agent, or Firm* — Sughrue Mion, PLLC

(57) **CLAIM**

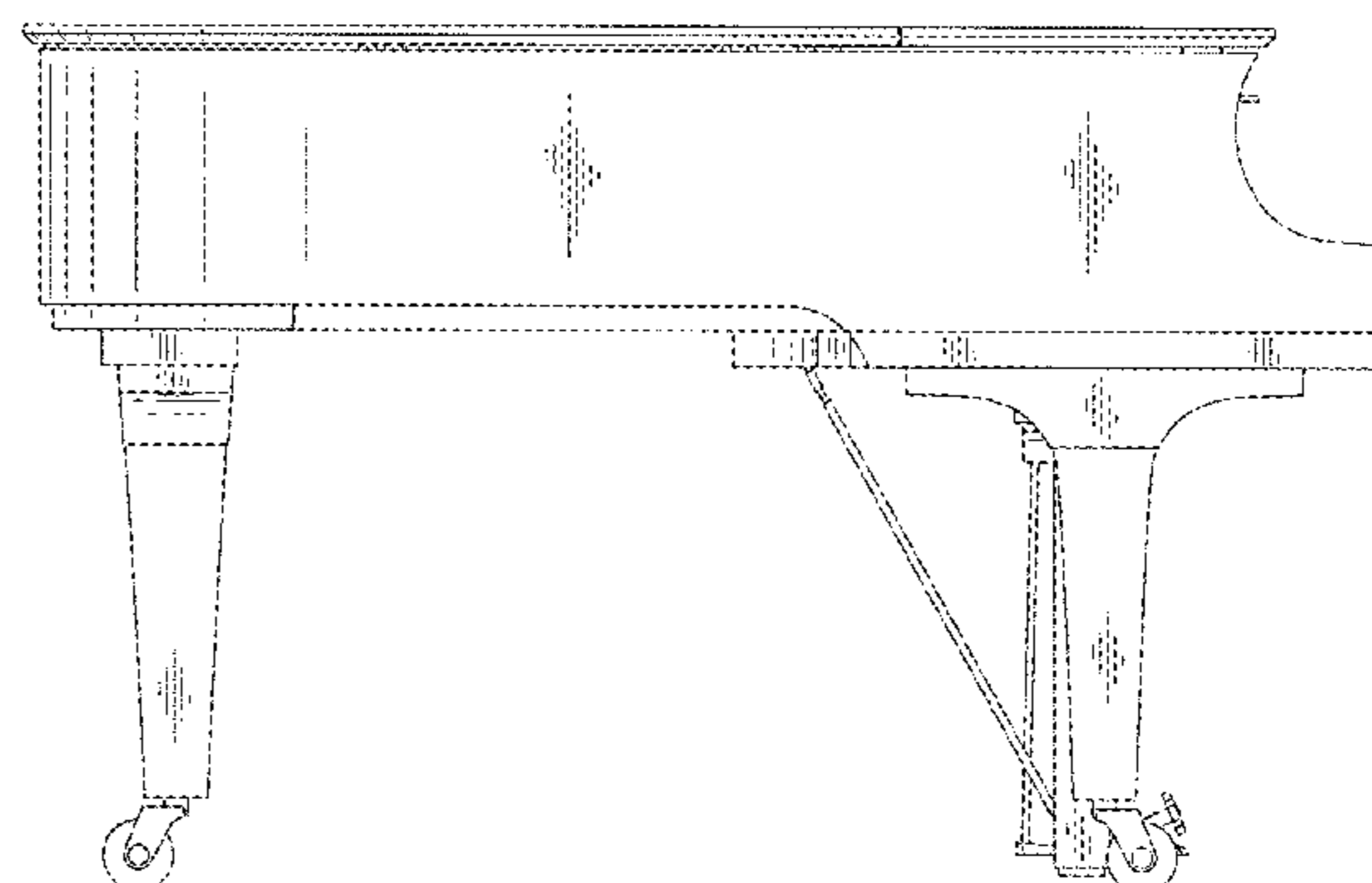
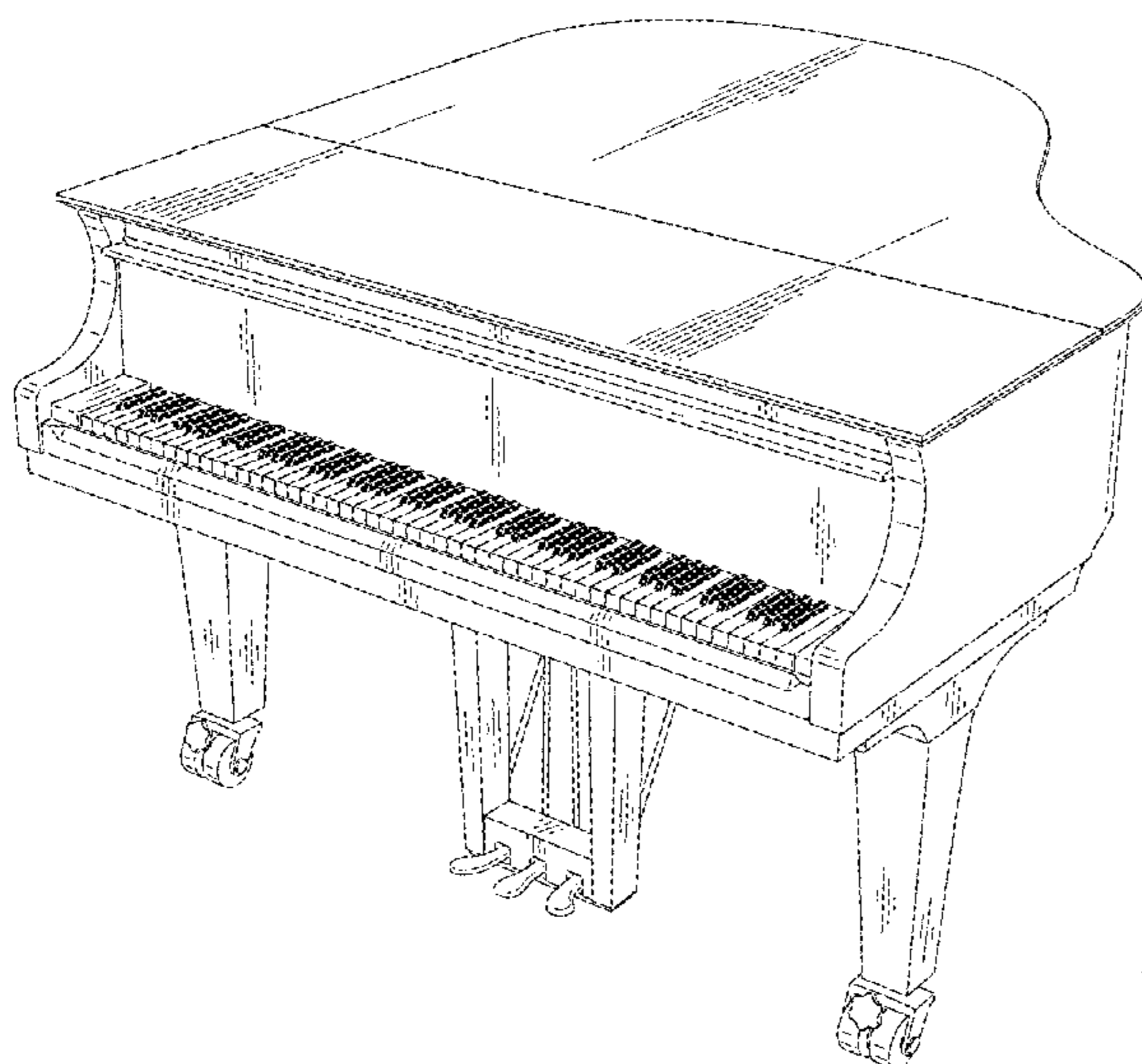
The ornamental design for a piano, as shown and described.

**DESCRIPTION**

FIG. 1 is a perspective view of the front, top and right of a piano showing our new design;  
FIG. 2 is a front view thereof;  
FIG. 3 is a rear view thereof;  
FIG. 4 is a top plan view thereof;  
FIG. 5 is a bottom view thereof;  
FIG. 6 is a left side view thereof;  
FIG. 7 is a right side view thereof; and,  
FIG. 8 is a front view thereof showing the state of a clavier cover being closed.

The elements shown in broken lines are for illustrative purposes only and form no part of the claimed design.

**1 Claim, 7 Drawing Sheets**



(56)

**References Cited**

U.S. PATENT DOCUMENTS

D382,006 S \* 8/1997 Nakajima ..... D17/7  
6,506,966 B2 \* 1/2003 Miura ..... 84/177  
D499,755 S \* 12/2004 Ohno ..... D17/7  
6,992,242 B2 1/2006 Shirayanagi et al.  
D609,267 S \* 2/2010 Ono ..... D17/8  
D676,899 S \* 2/2013 Suzuki ..... D17/8  
2009/0120264 A1 5/2009 Wheeler et al.

FOREIGN PATENT DOCUMENTS

JP 1236507 S 3/2005  
JP 2007233190 A \* 9/2007

JP 2010002849 A \* 1/2010  
KR 30-0363788-0000 10/2004  
KR 30-0363788-0001 10/2004  
KR 30-0363789-0000 10/2004  
KR 30-0363789-0001 10/2004  
KR 30-0363789-0002 10/2004  
KR 30-0363790-0000 10/2004  
KR 30-0363790-0001 10/2004

\* cited by examiner

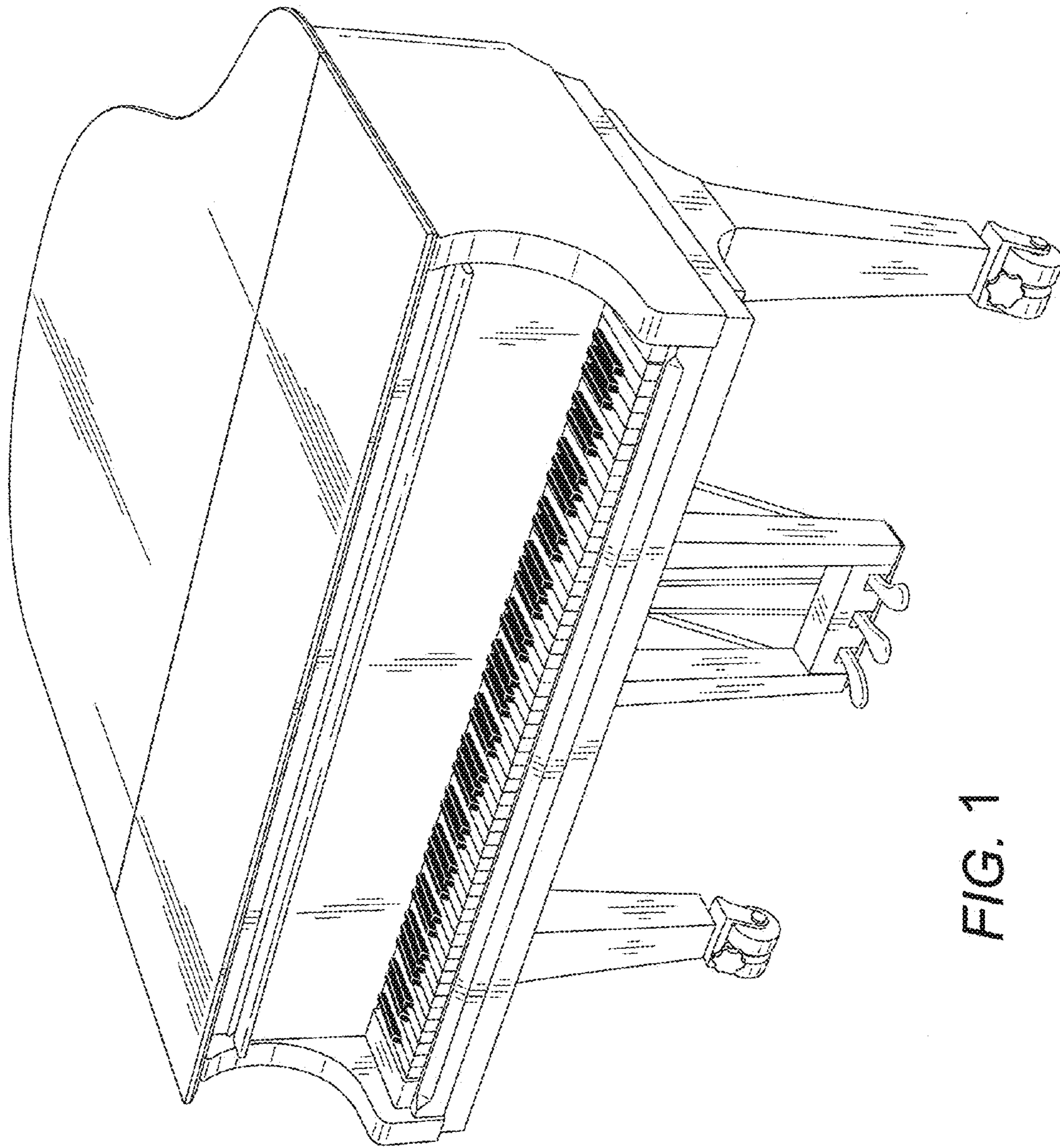


FIG. 1

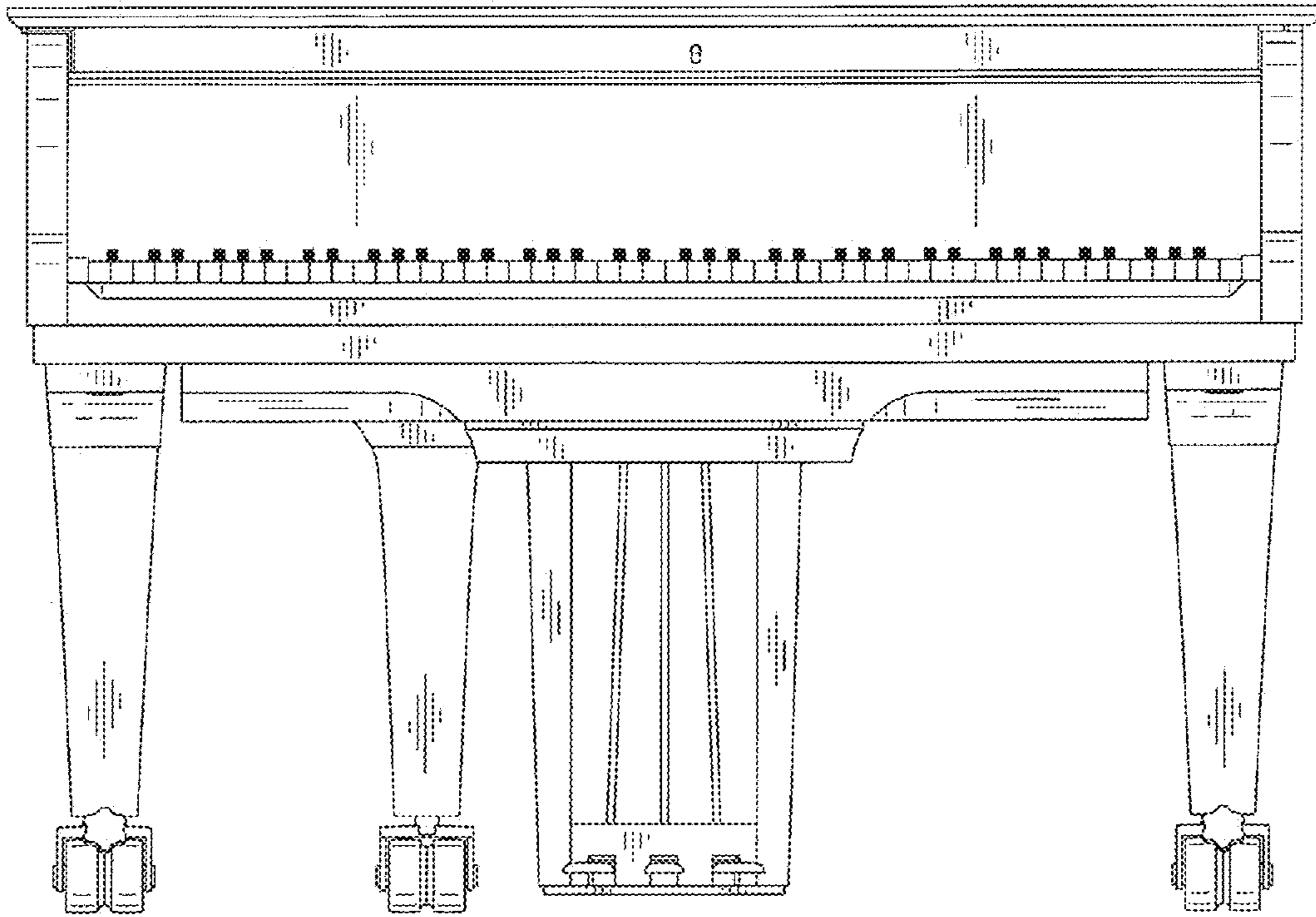


FIG. 2

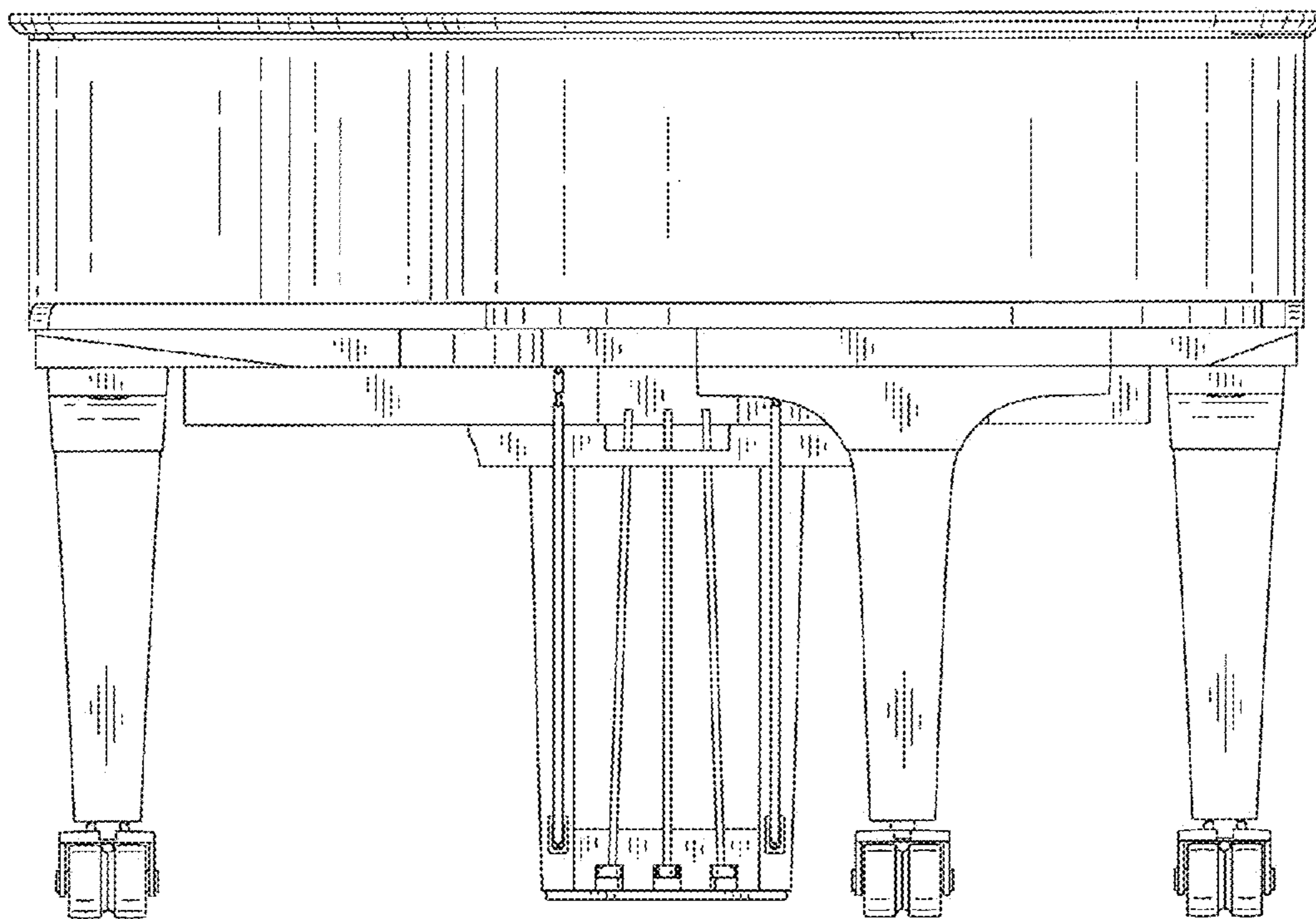


FIG. 3

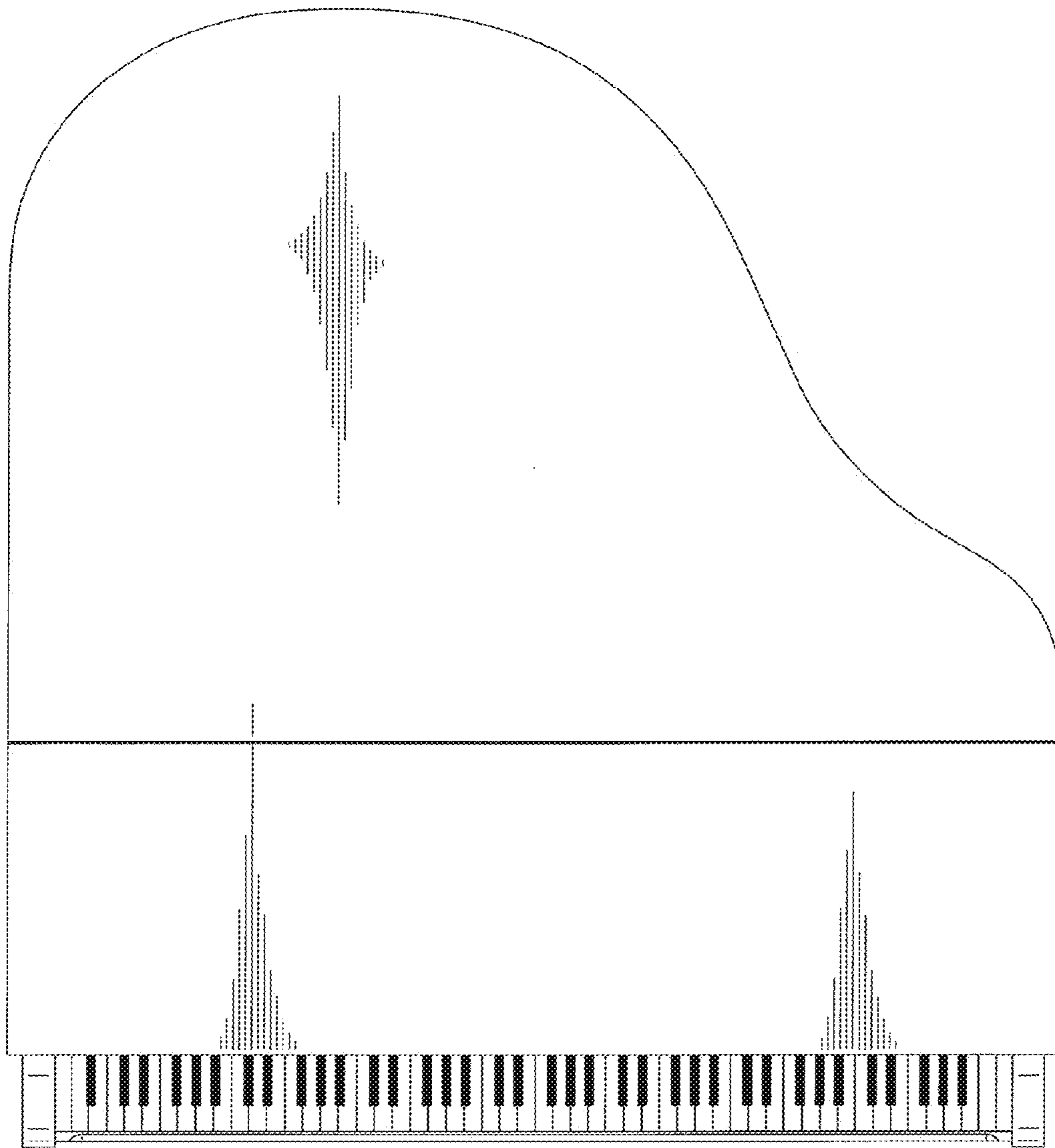


FIG. 4

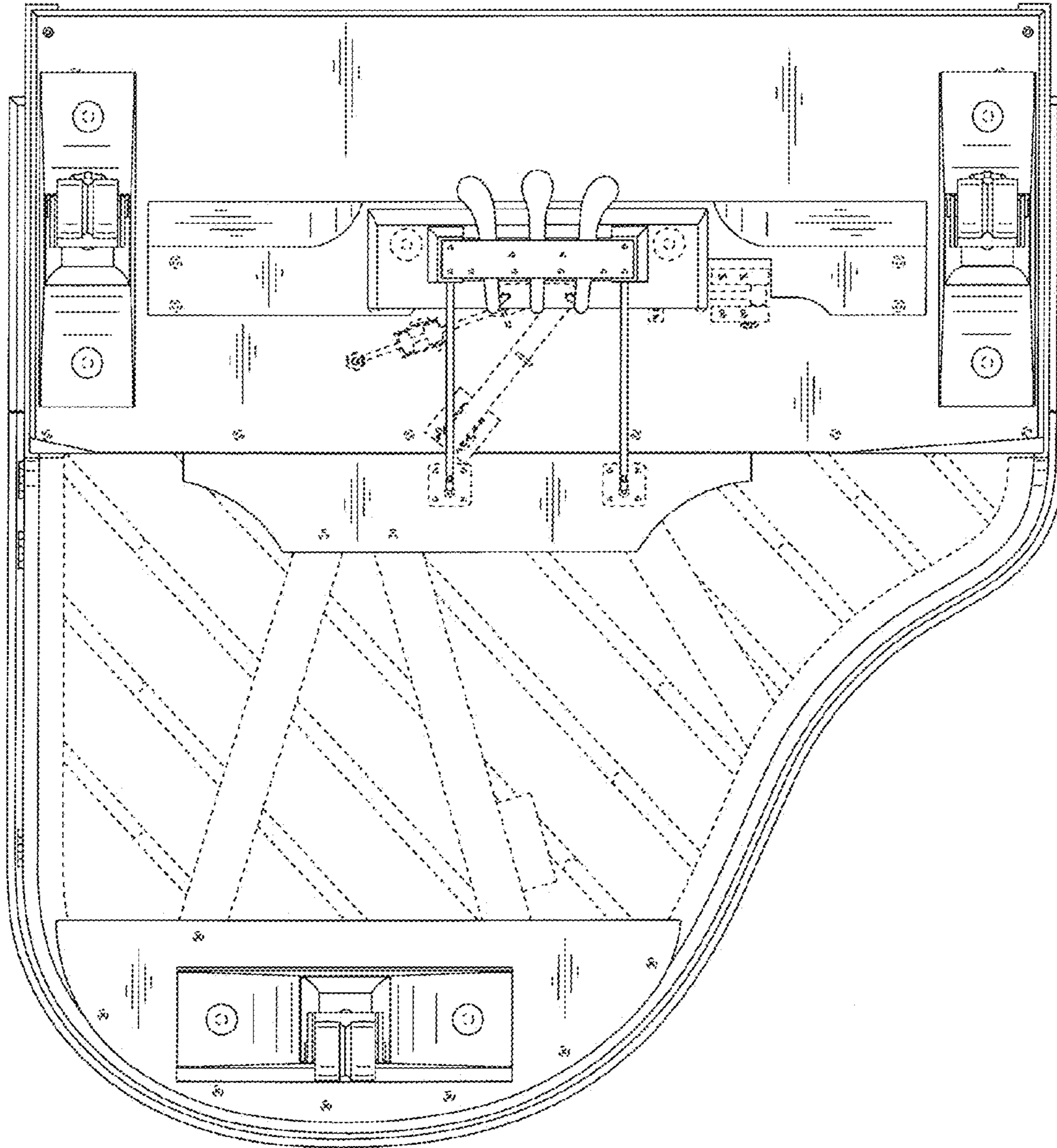


FIG. 5

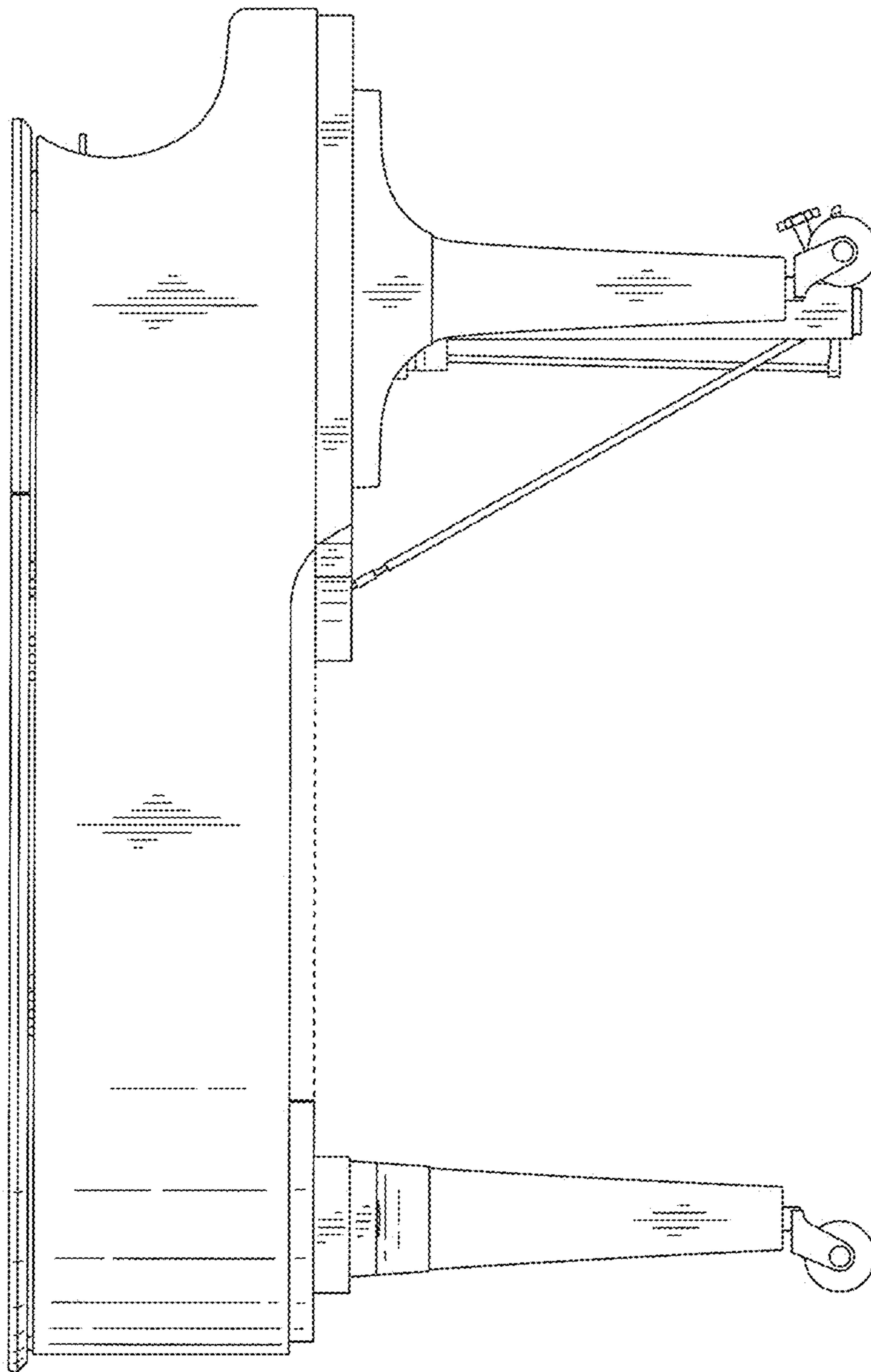


FIG. 6

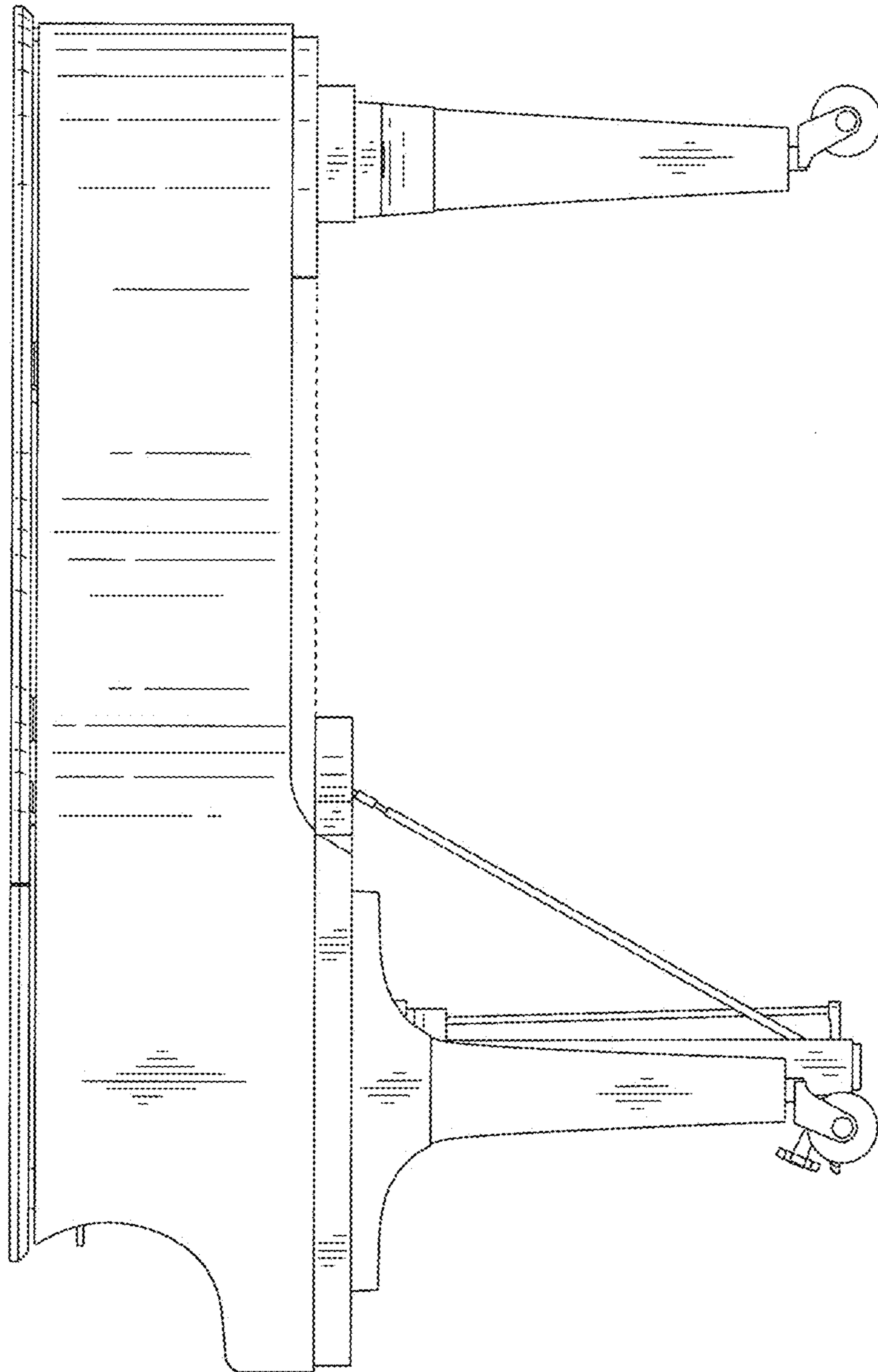


FIG. 7



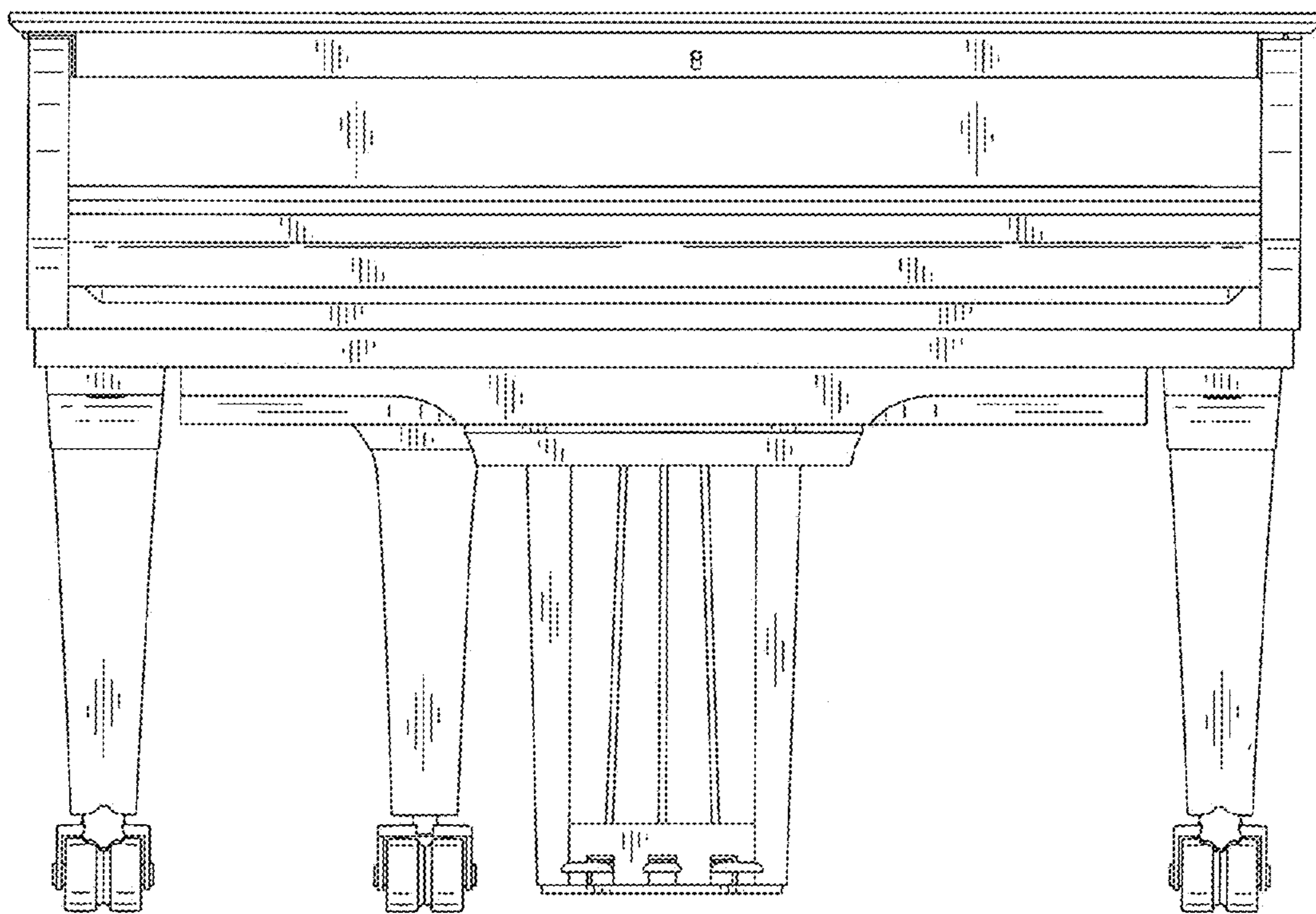


FIG. 8