



US00D688729S

(12) **United States Design Patent**
Trinca

(10) **Patent No.:** **US D688,729 S**

(45) **Date of Patent:** **** Aug. 27, 2013**

(54) **THUMB PIANO**

(71) Applicant: **Leonard Trinca**, St. Augustine, FL (US)

(72) Inventor: **Leonard Trinca**, St. Augustine, FL (US)

(**) Term: **14 Years**

(21) Appl. No.: **29/434,151**

(22) Filed: **Oct. 10, 2012**

(51) **LOC (9) Cl.** **17-01**

(52) **U.S. Cl.**
USPC **D17/7**

(58) **Field of Classification Search**
USPC D17/7, 8; 84/172, 174, 423 R, 402,
84/403, 408; D21/405, 409
See application file for complete search history.

(56) **References Cited**

U.S. PATENT DOCUMENTS

1,763,518	A *	6/1930	Haweis	84/408
2,645,970	A *	7/1953	Stabile	84/403
D217,641	S *	5/1970	Pavin	D17/2
3,610,085	A *	10/1971	Fred et al.	84/402
3,961,553	A *	6/1976	Schorr	84/408
4,676,135	A *	6/1987	Kitazawa et al.	84/94.1
7,919,700	B2 *	4/2011	Saragosa	84/402

OTHER PUBLICATIONS

Key of Grey. <http://www.keyofgrey.com/2010/06/diy-thumb-piano/>. Jun. 2010. "DIY Thumb Piano".*

Quality1Trader. <http://www.quality1traderco.uk/thumb-pianoibuy-thumb-piano-online-round-back.html>. Date Unknown: Viewed: Apr. 2013.*

* cited by examiner

Primary Examiner — Rashida Johnson

(74) *Attorney, Agent, or Firm* — Steven R. Scott

(57) **CLAIM**

I claim the ornamental design for a thumb piano, as shown and described.

DESCRIPTION

FIG. 1 is a perspective view of a thumb piano showing my new design;

FIG. 2 is a right side view thereof;

FIG. 3 is a top view thereof;

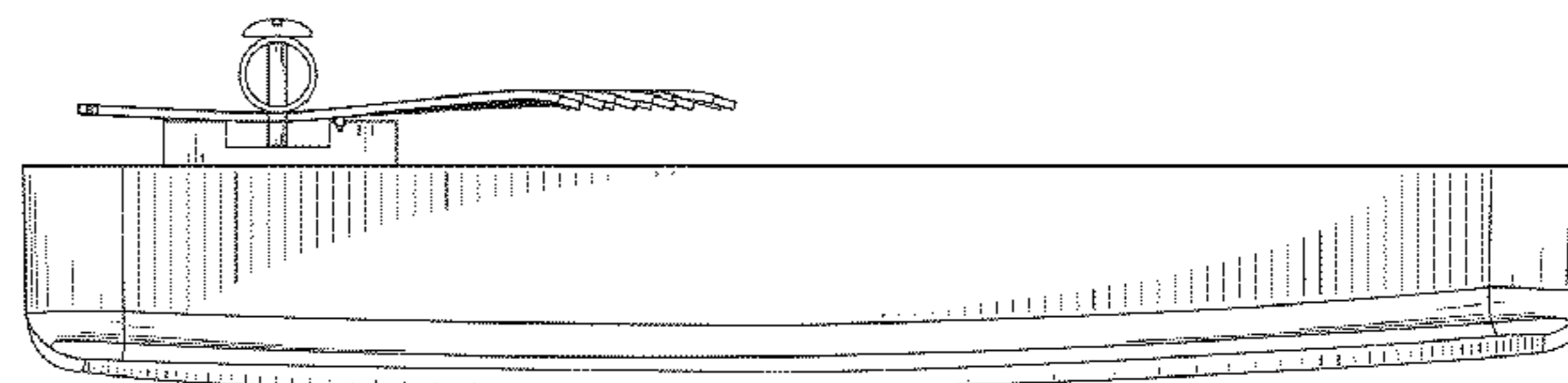
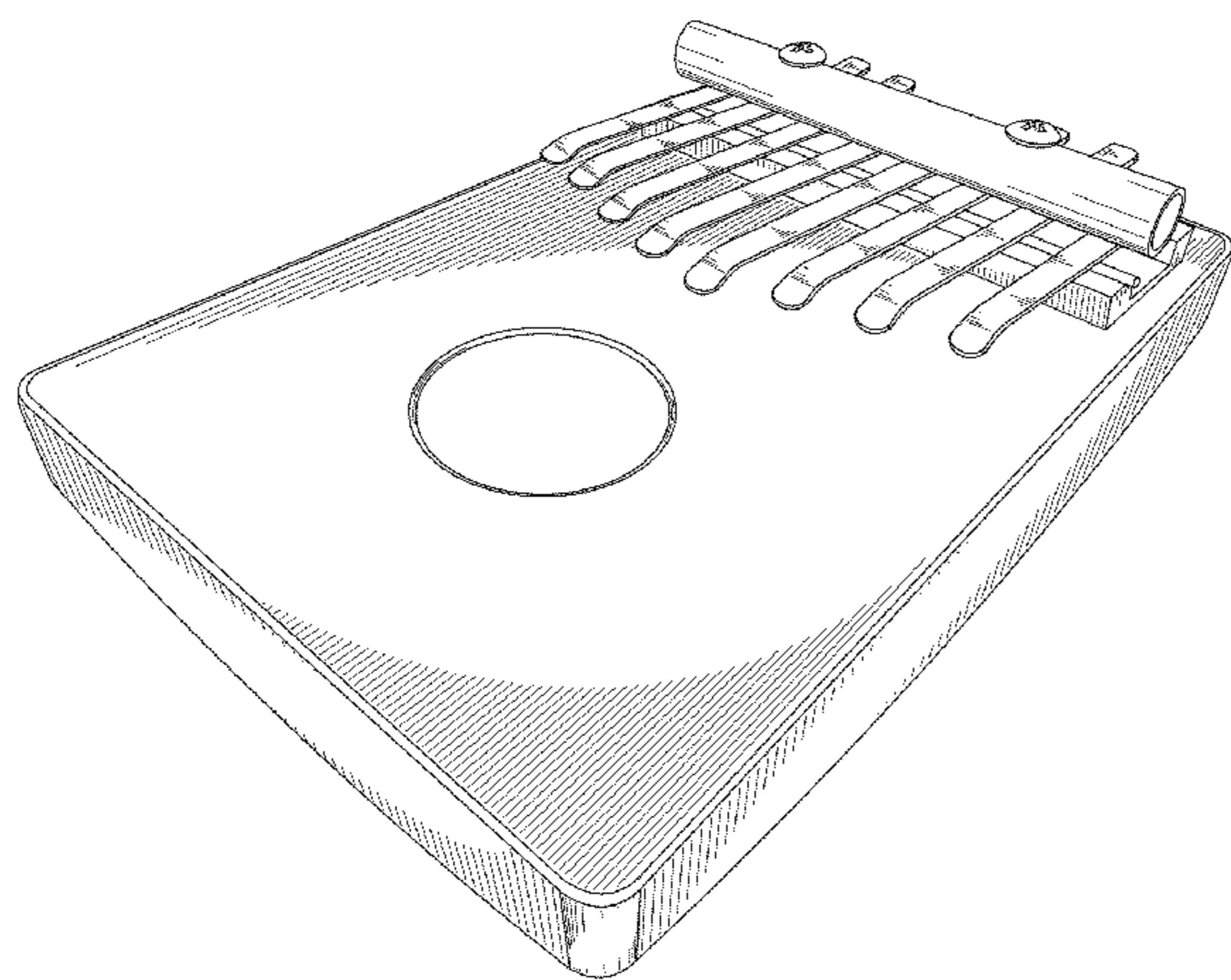
FIG. 4 is a left side view thereof;

FIG. 5 is a bottom view thereof;

FIG. 6 is a front view thereof; and,

FIG. 7 is a rear view thereof.

1 Claim, 5 Drawing Sheets



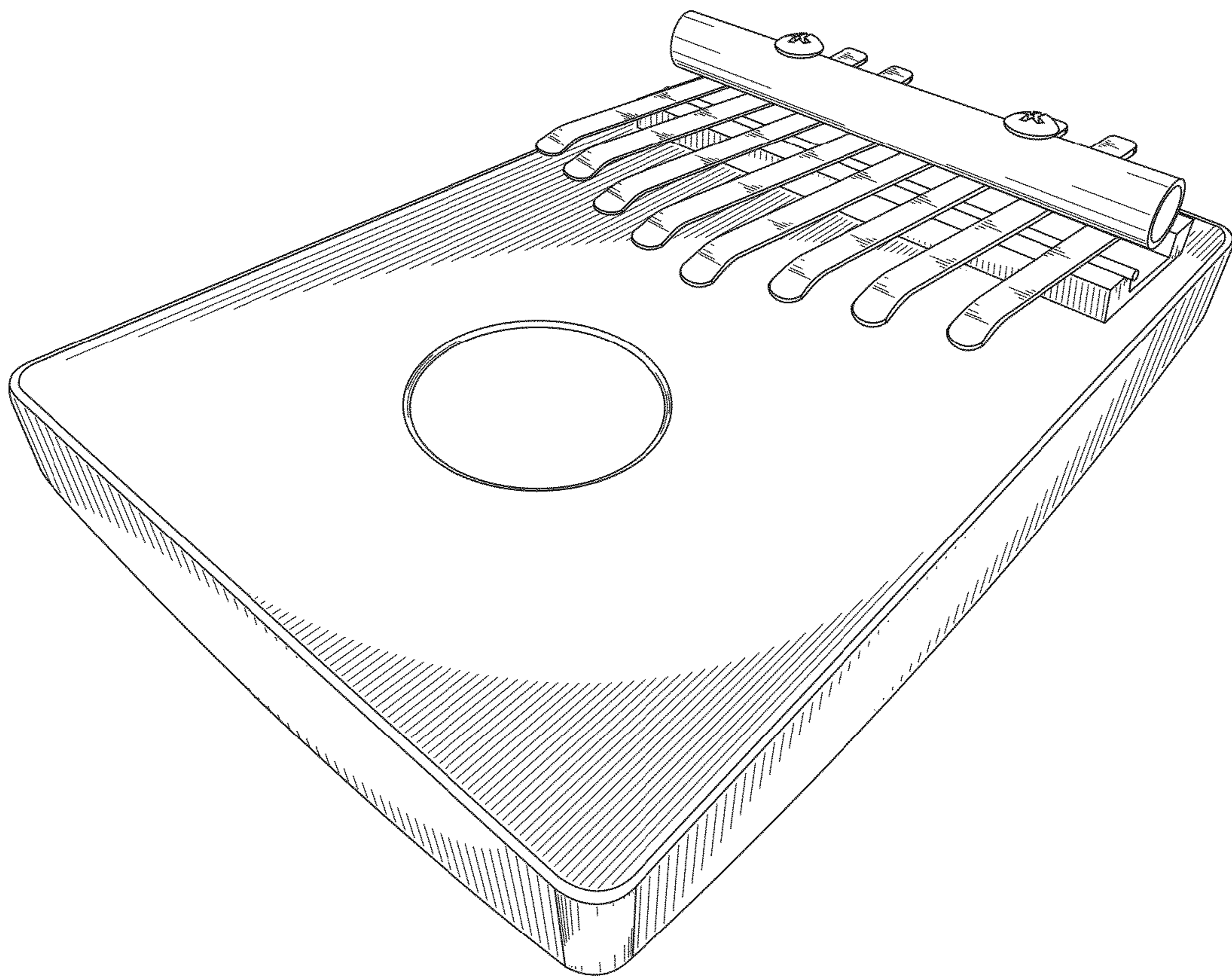


FIG. 1

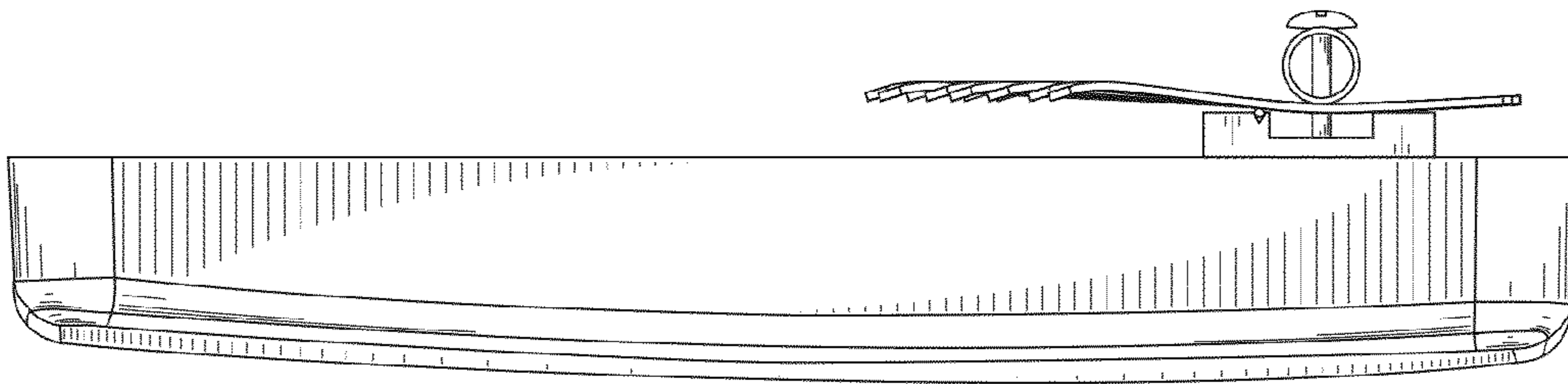


FIG. 2

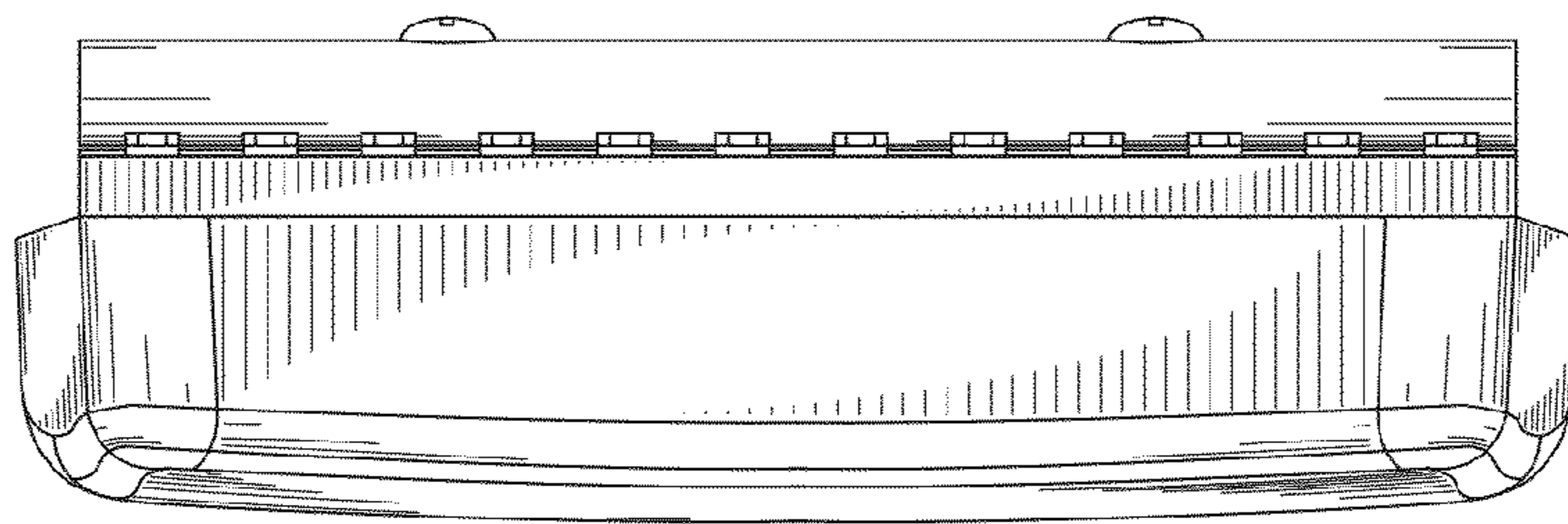


FIG. 3

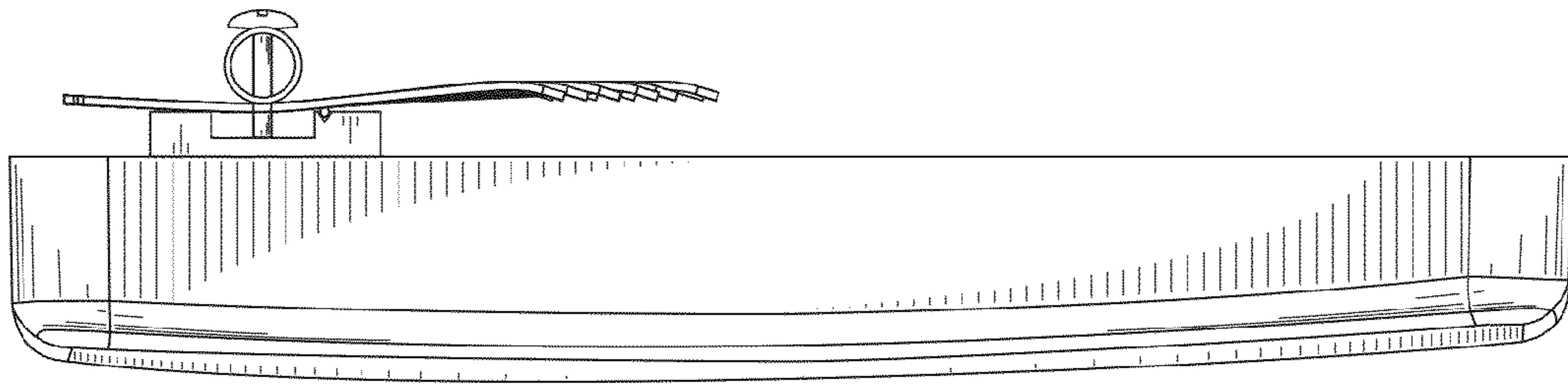


FIG. 4

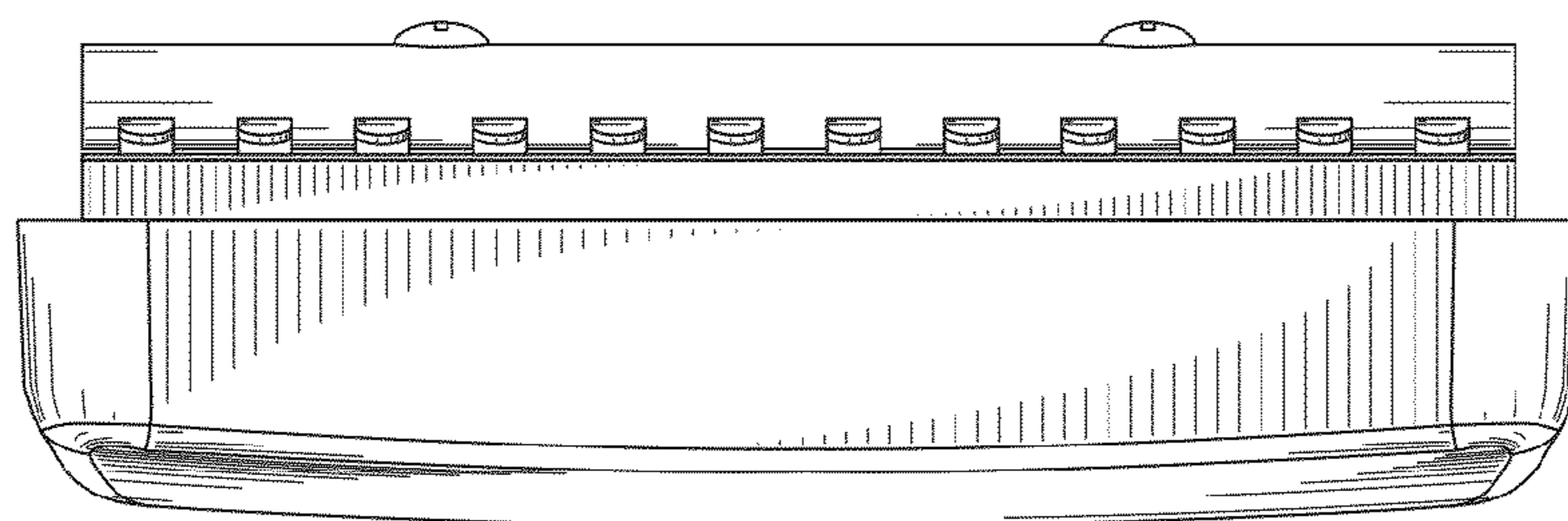


FIG. 5

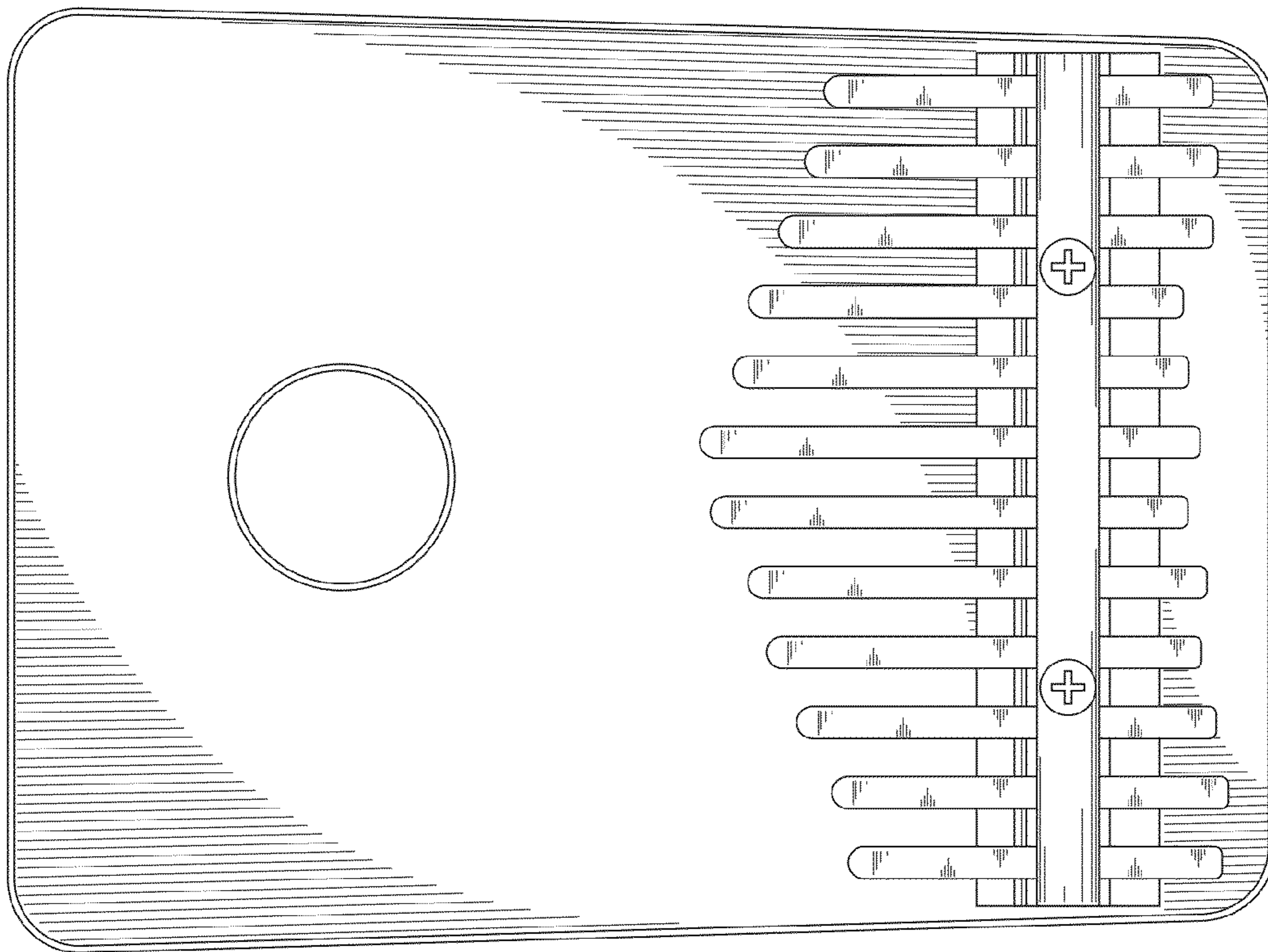


FIG. 6

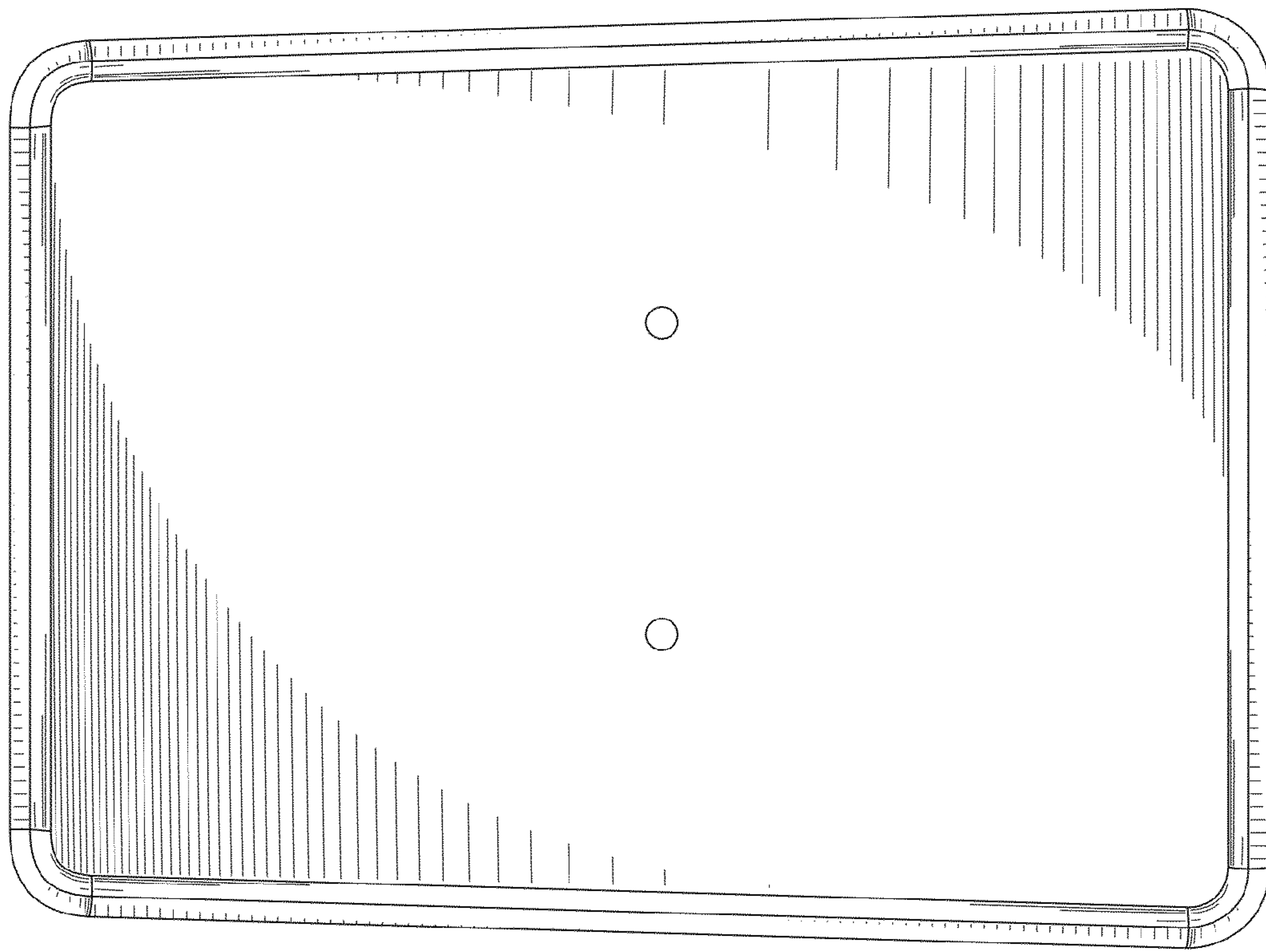


FIG. 7