



US00D688727S

(12) **United States Design Patent**  
**Olsson**

(10) **Patent No.:** **US D688,727 S**

(45) **Date of Patent:** **\*\* Aug. 27, 2013**

(54) **WEARABLE DISPLAY DEVICE**

(71) Applicant: **Google Inc.**, Mountain View, CA (US)

(72) Inventor: **Maj Isabelle Olsson**, San Francisco, CA (US)

(73) Assignee: **Google Inc.**, Mountain View, CA (US)

(\*\*) Term: **14 Years**

(21) Appl. No.: **29/421,851**

(22) Filed: **Oct. 4, 2012**

**Related U.S. Application Data**

(60) Continuation of application No. 29/422,071, filed on May 16, 2012, now Pat. No. Des. 671,589, which is a division of application No. 29/404,646, filed on Oct. 24, 2011, now Pat. No. Des. 664,586.

(51) **LOC (9) Cl.** ..... **16-06**

(52) **U.S. Cl.**  
USPC ..... **D16/300**

(58) **Field of Classification Search**  
USPC ..... D16/101, 300-342, 900; D29/109-110;  
351/41, 44, 51-52, 62, 158, 92, 103-123,  
351/140-153, 45-46; 2/426-432, 447-449,  
2/441, 434-437, 13, 15; D21/483, 659-661;  
D14/372

See application file for complete search history.

(56) **References Cited**

**U.S. PATENT DOCUMENTS**

1,819,738 A \* 8/1931 Daniels ..... 351/156  
3,944,344 A 3/1976 Wichers  
D327,079 S 6/1992 Allen  
D334,557 S 4/1993 Hunter et al.  
D337,320 S 7/1993 Hunter et al.  
D354,974 S 1/1995 Wielhouwer  
D402,651 S 12/1998 Depay et al.

D428,620 S 7/2000 Maturaporn  
D432,556 S \* 10/2000 Lando ..... D16/303  
D436,960 S 1/2001 Budd et al.  
D512,985 S 12/2005 Travers et al.  
D533,893 S 12/2006 Canavan et al.  
D559,250 S 1/2008 Pombo  
D565,082 S 3/2008 McClure et al.  
D578,120 S 10/2008 Lowe et al.  
D590,009 S \* 4/2009 Lane et al. .... D16/326  
D590,434 S \* 4/2009 Lane et al. .... D16/326  
D602,064 S 10/2009 Mitsui et al.

(Continued)

*Primary Examiner* — Raphael Barkai

(74) *Attorney, Agent, or Firm* — Lerner, David, Littenberg, Krumholz & Mentlik, LLP

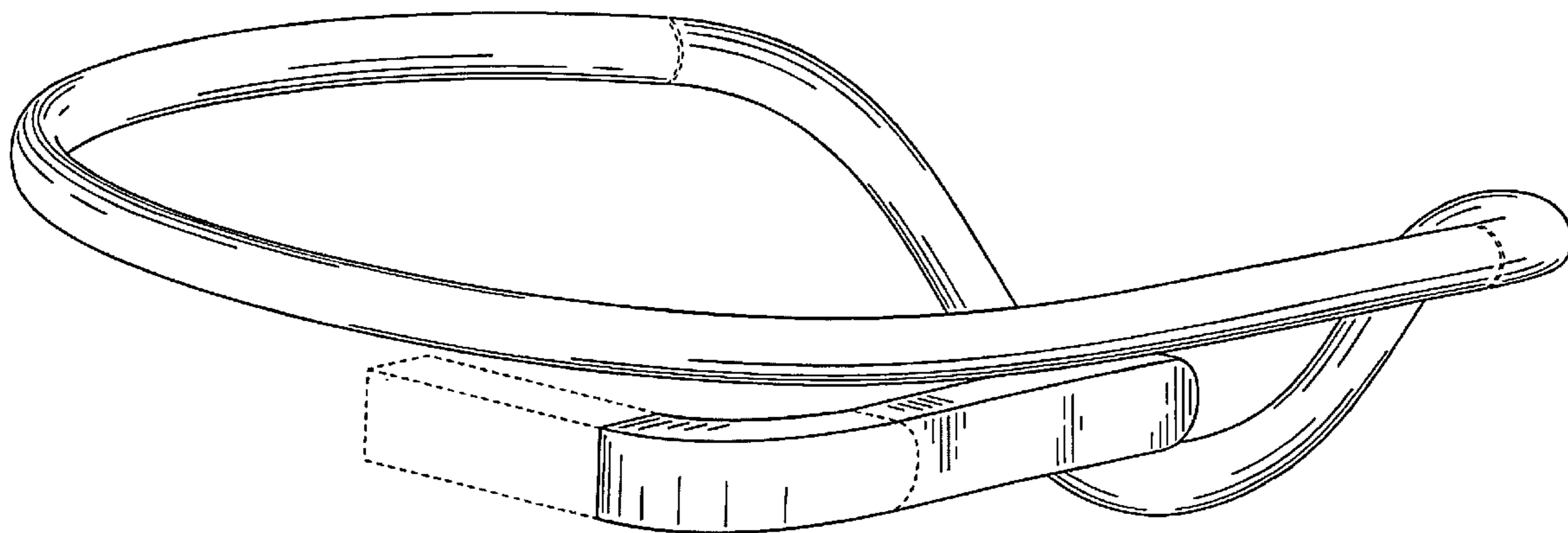
(57) **CLAIM**

The ornamental design for a wearable display device, as shown and described.

**DESCRIPTION**

FIG. 1 is a front perspective view of a wearable display device according to a first embodiment of my design;  
FIG. 2 is a front elevation view of the wearable display device of FIG. 1;  
FIG. 3 is a back elevation view of the wearable display device of FIG. 1;  
FIG. 4 is a right elevation view of the wearable display device of FIG. 1;  
FIG. 5 is a left elevation view of the wearable display device of FIG. 1;  
FIG. 6 is a top elevation view of the wearable display device of FIG. 1;  
FIG. 7 is a bottom elevation view of the wearable display device of FIG. 1; and,  
FIG. 8 is a rear perspective view the wearable display device of FIG. 1.  
Broken lines are environmental only and form no part of the claimed design.

**1 Claim, 6 Drawing Sheets**



# US D688,727 S

Page 2

---

(56)

## References Cited

				D647,123 S	10/2011	Cho	
				8,029,132 B1	10/2011	Park	
				D649,177 S	11/2011	Cho et al.	
				D671,589 S *	11/2012	Olsson .....	D16/300
	U.S. PATENT DOCUMENTS						
	7,631,968 B1	12/2009	Dobson et al.				
	D630,669 S *	1/2011	Suzuki et al. ....	D16/311			* cited by examiner

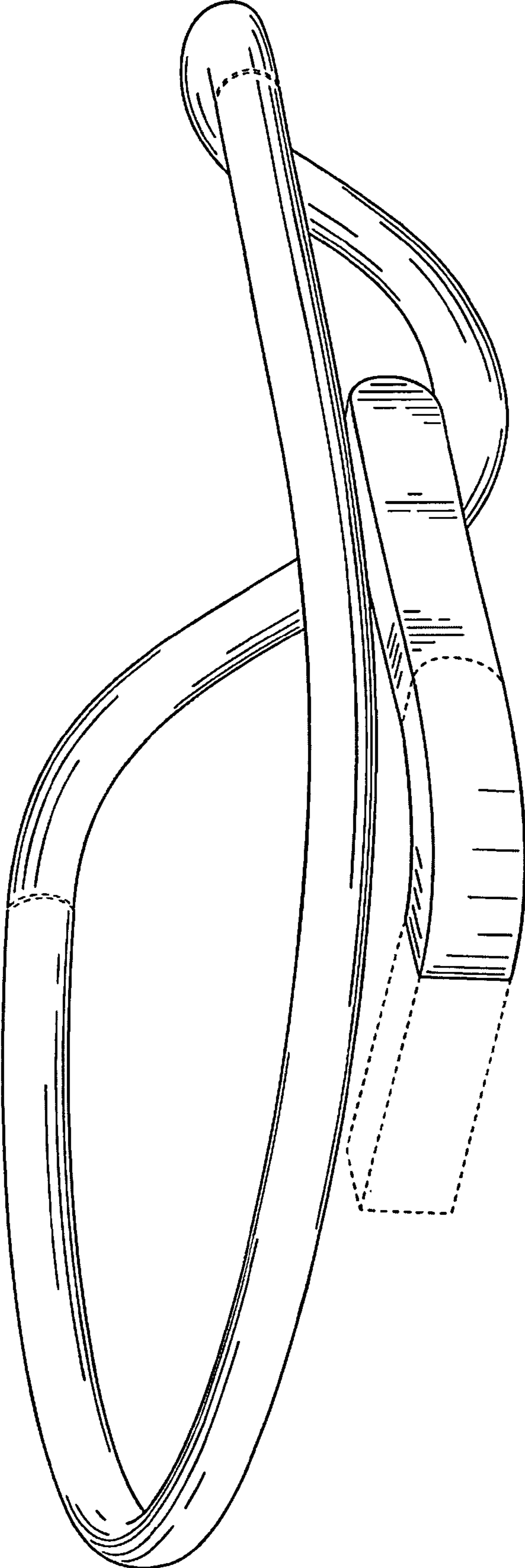


FIG. 1

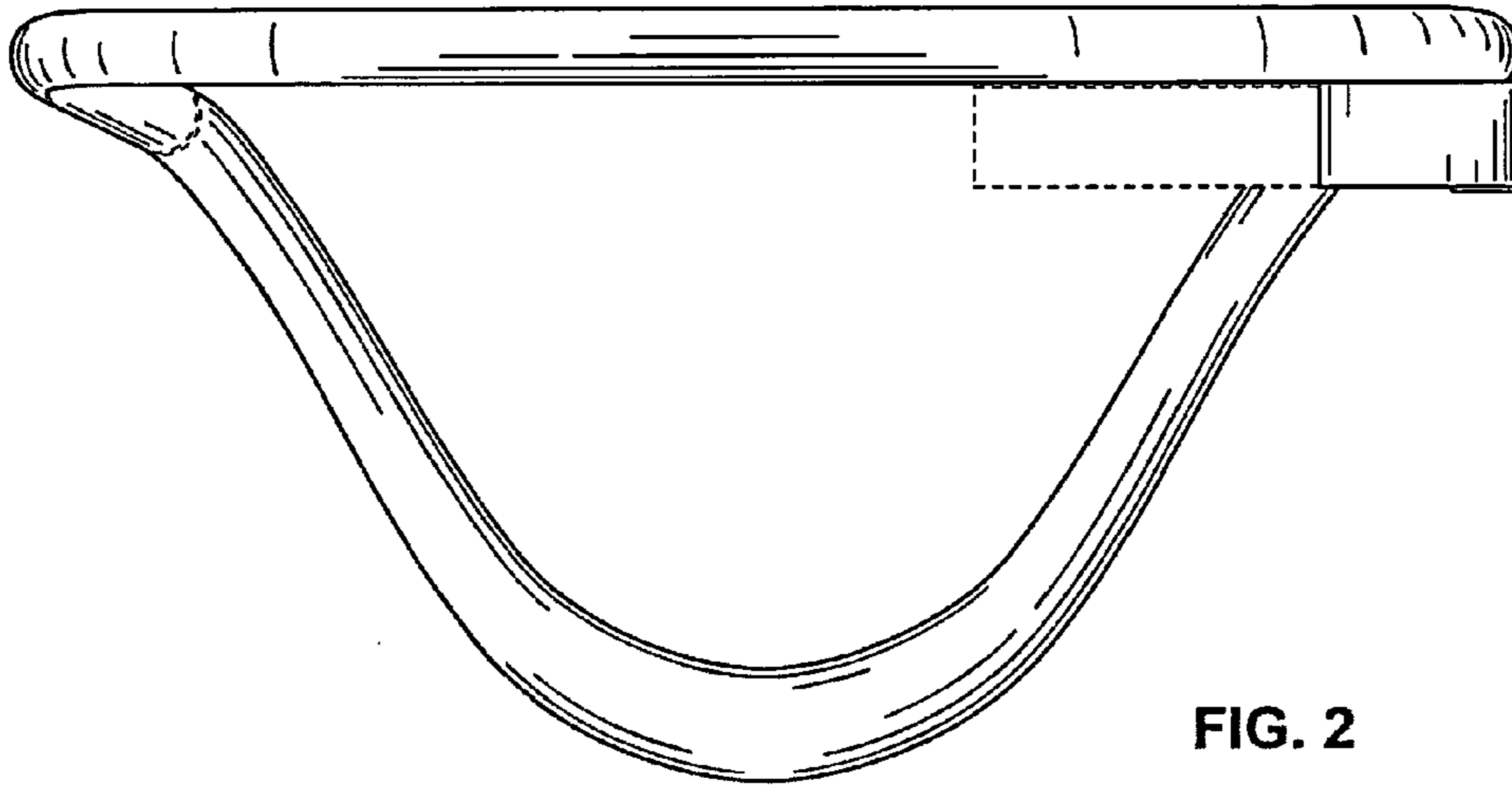


FIG. 2

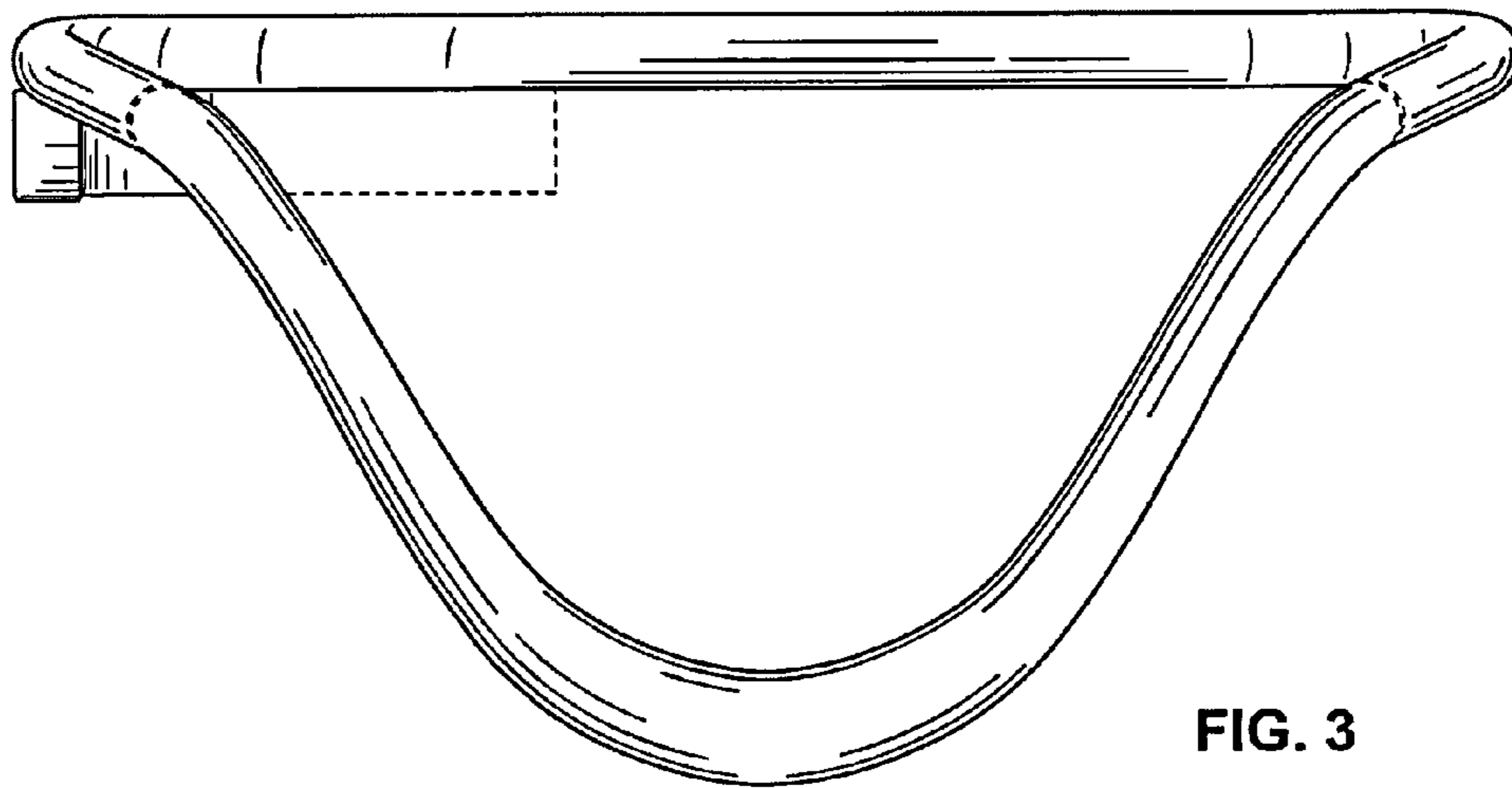


FIG. 3

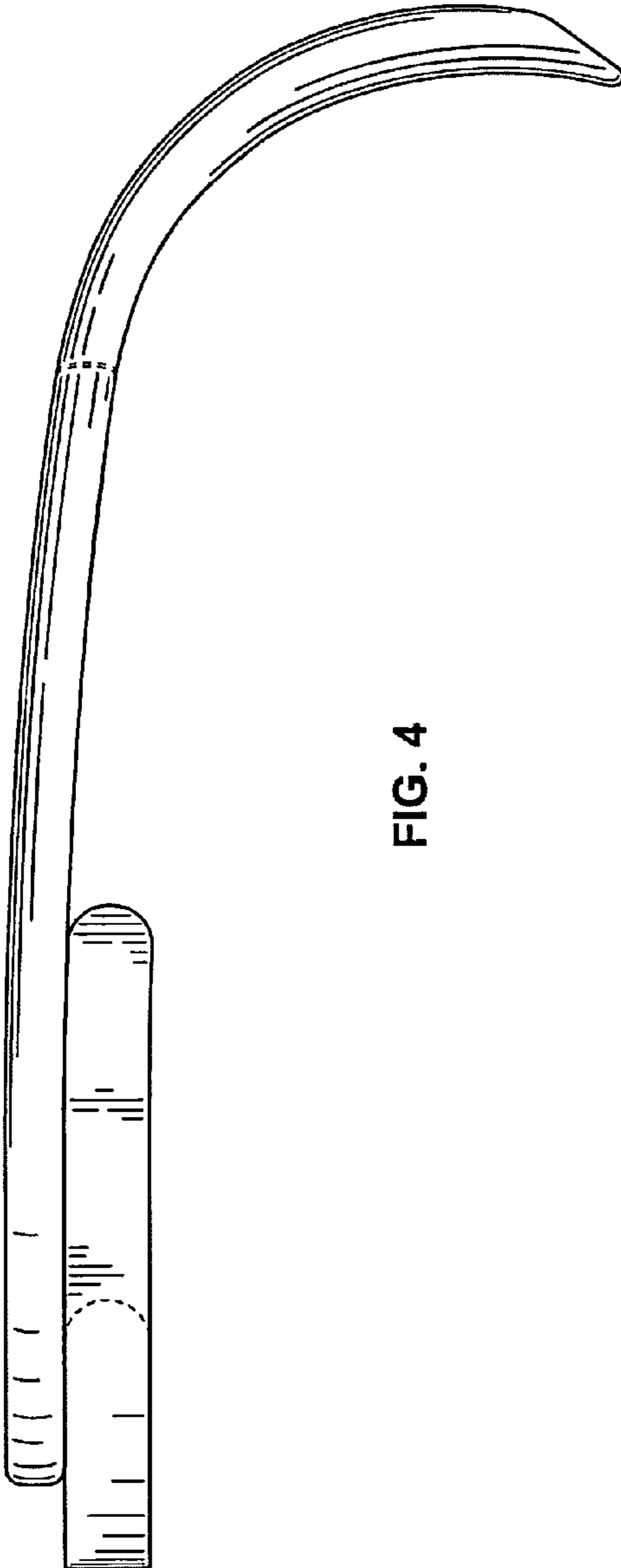


FIG. 4

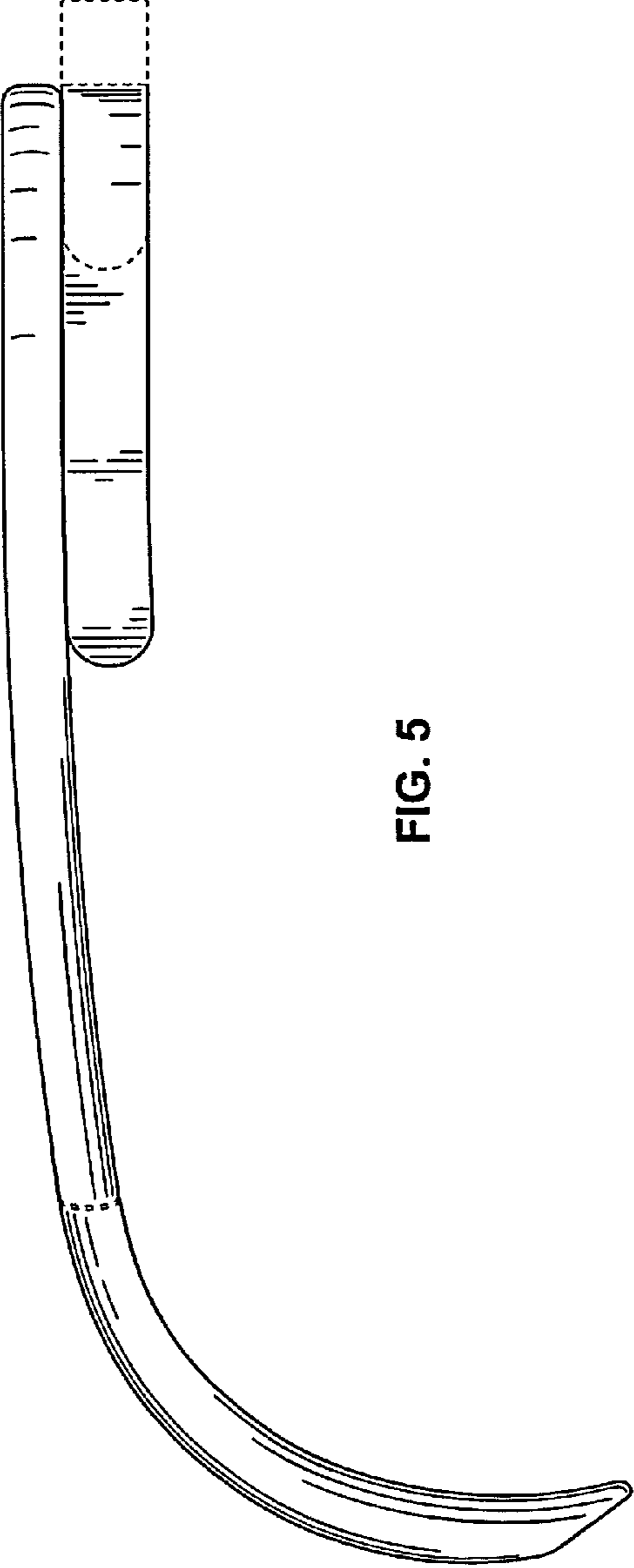


FIG. 5

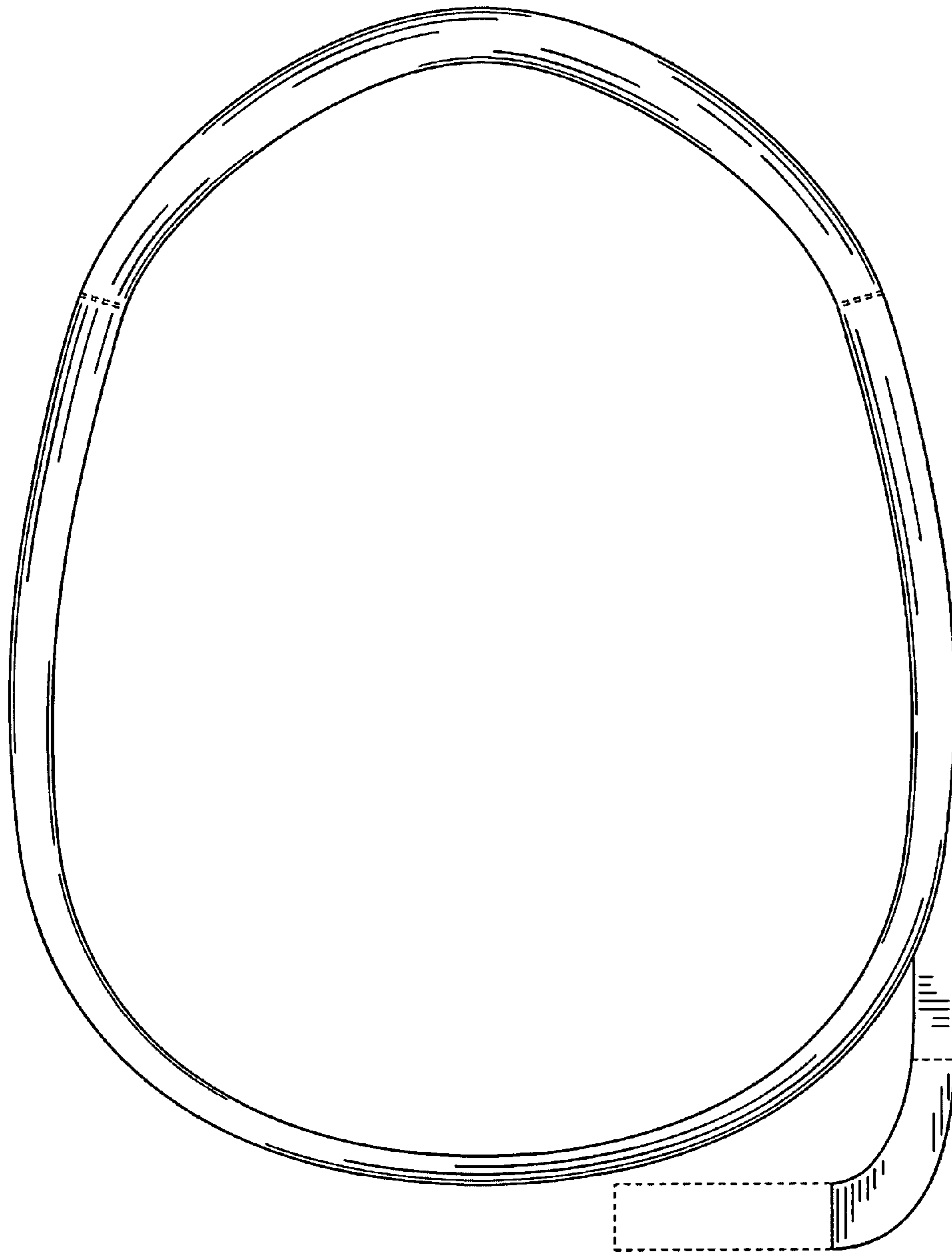


FIG. 6

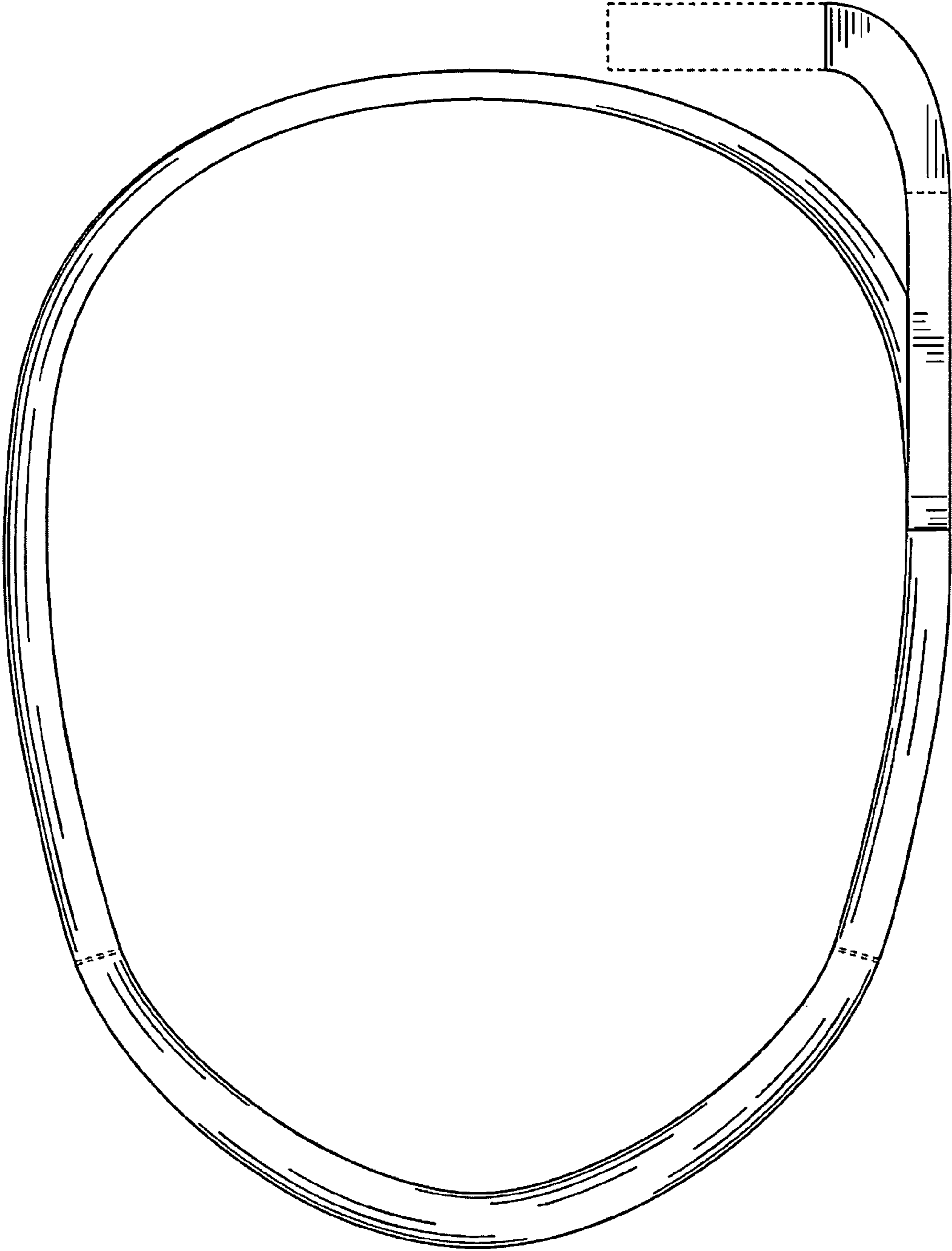


FIG. 7

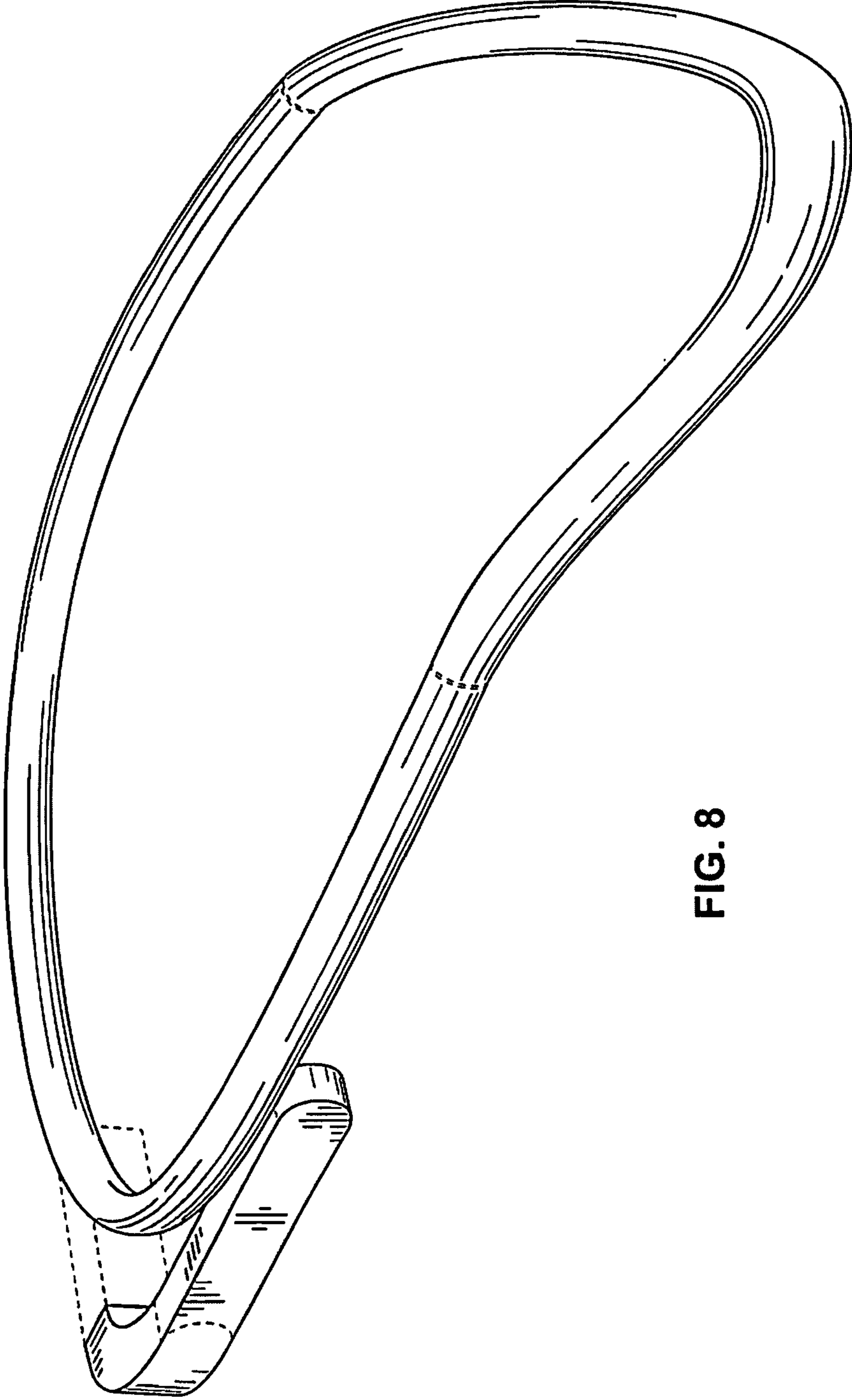


FIG. 8