



US00D688726S

(12) **United States Design Patent**
Samuels et al.

(10) **Patent No.:** **US D688,726 S**

(45) **Date of Patent:** **** Aug. 27, 2013**

(54) **SUCTION CUP MOUNT**

(71) Applicants: **Rudy Lucas Samuels**, Mill Valley, CA (US); **Joshua Todd Druker**, Redwood City, CA (US); **Travis Eastman Pynn**, Moss Beach, CA (US); **Nicholas D. Woodman**, Sausalito, CA (US)

(72) Inventors: **Rudy Lucas Samuels**, Mill Valley, CA (US); **Joshua Todd Druker**, Redwood City, CA (US); **Travis Eastman Pynn**, Moss Beach, CA (US); **Nicholas D. Woodman**, Sausalito, CA (US)

(73) Assignee: **Woodman Labs, Inc.**, San Mateo, CA (US)

(**) Term: **14 Years**

(21) Appl. No.: **29/434,619**

(22) Filed: **Oct. 15, 2012**

(51) **LOC (9) Cl.** **16-05**

(52) **U.S. Cl.**
USPC **D16/242**

(58) **Field of Classification Search**
USPC D16/219, 235, 237, 242–245, 250,
D16/200–204, 208; D14/217, 251, 253,
D14/447, 452; 248/176.1, 177.1, 178.1,
248/179.1, 180.1, 183.1, 187.1, 683; 348/373,
348/375; 396/419–420, 422, 428, 535;
D8/354, 363, 394, 395
See application file for complete search history.

(56) **References Cited**

U.S. PATENT DOCUMENTS

D521,850 S	*	5/2006	Richter et al.	D8/354
D545,825 S	*	7/2007	Richter	D14/447
D554,136 S	*	10/2007	Richter	D14/447
D554,137 S	*	10/2007	Richter	D14/447

(Continued)

OTHER PUBLICATIONS

GoPro Suction Cup Mount for Hero Camera. [online] First available Oct. 21, 2012. Retrieved on Apr. 3, 2013 from URL: <www.amazon.com/GoPro-Suction-Mount-HERO-Cameras>.*

(Continued)

Primary Examiner — Susan Bennett Hattan

Assistant Examiner — Vy Koenig

(74) *Attorney, Agent, or Firm* — Fenwick & West LLP

(57) **CLAIM**

The ornamental design for a suction cup mount, as shown and described.

DESCRIPTION

FIG. 1 is a top and left side perspective view of a suction cup mount in a folded and locked and unrotated configuration showing our new design;

FIG. 2 is a top and right side perspective view thereof;

FIG. 3 is top plan view thereof;

FIG. 4 is a bottom plan view thereof;

FIG. 5 is a rear elevational view thereof;

FIG. 6 is a front elevational view thereof;

FIG. 7 is a left side elevational view thereof;

FIG. 8 is a right side elevational view thereof; and

FIG. 9 is a top and left side perspective view of a suction cup mount in an unfolded and locked and unrotated configuration.

FIG. 10 is top and right side perspective view thereof.

FIG. 11 is a top plan view thereof.

FIG. 12 is a front elevational view thereof.

FIG. 13 is right side elevational view thereof.

FIG. 14 is right side elevational view of a suction cup mount in an unfolded and unlocked configuration.

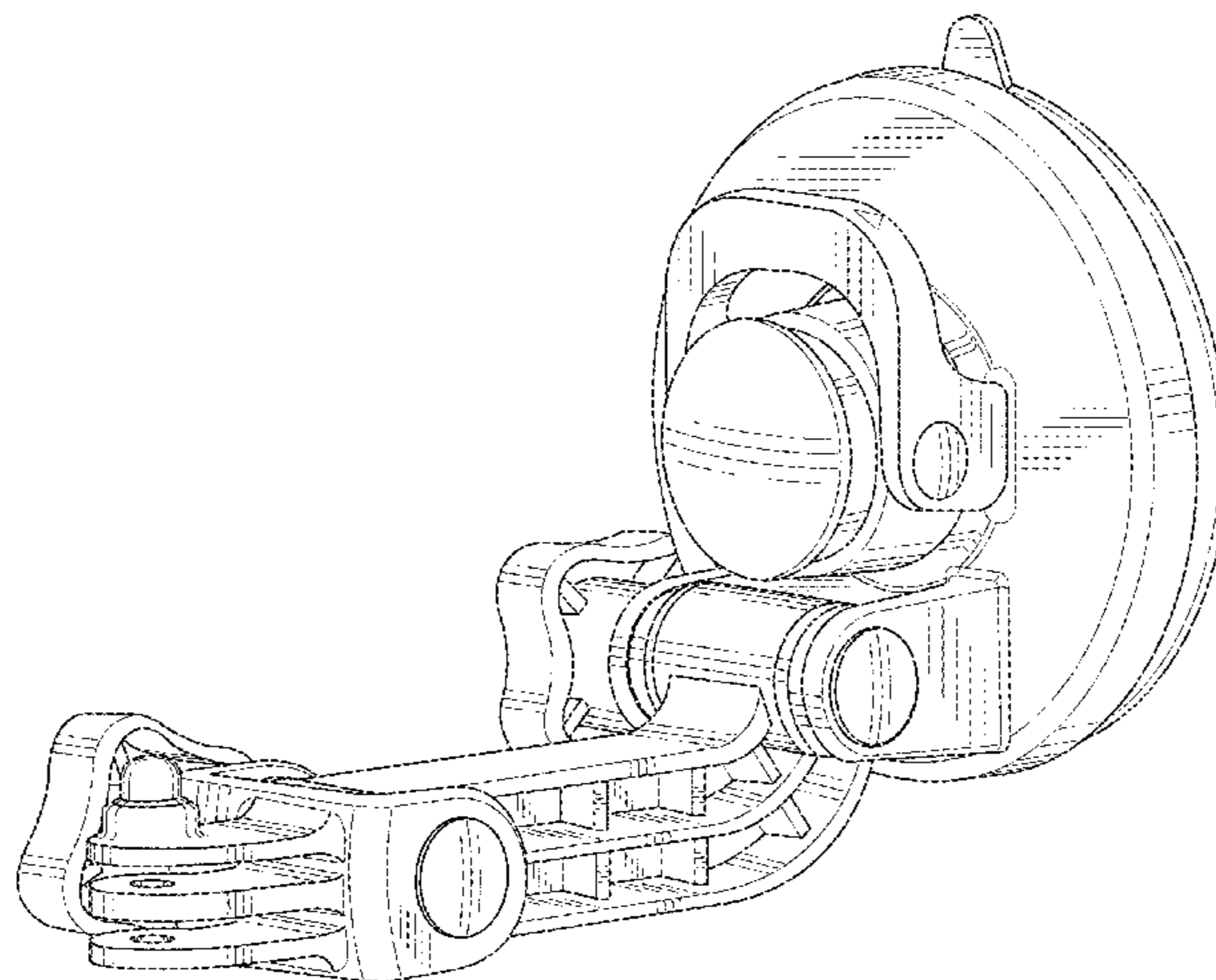
FIG. 15 is a top and right side perspective view thereof.

FIG. 16 is top and left side perspective view of a suction cup mount in a folded and locked and rotated configuration;

FIG. 17 is a top plan view thereof; and,

FIG. 18 is a top and right side perspective view of a suction cup mount in an unfolded and locked and rotated configuration.

1 Claim, 18 Drawing Sheets



(56)

References Cited

U.S. PATENT DOCUMENTS

D566,530	S *	4/2008	Brassard	D8/363
D587,188	S *	2/2009	Mo	D12/415
D602,024	S *	10/2009	Richter	D14/447
D602,025	S *	10/2009	Richter	D14/447
D619,586	S *	7/2010	Richter	D14/447
D619,587	S *	7/2010	Richter	D14/447
7,766,288	B2 *	8/2010	Kim et al.	248/176.1
D627,624	S *	11/2010	Brassard	D8/363
D654,493	S *	2/2012	Baumann et al.	D14/253
D655,283	S *	3/2012	Richter	D14/253
D655,284	S *	3/2012	Richter	D14/253
D664,952	S *	8/2012	Richter	D14/253
D670,157	S *	11/2012	Mo	D8/363
2007/0012825	A1 *	1/2007	Yeh	248/122.1
2012/0049019	A1 *	3/2012	Chen	248/206.2

OTHER PUBLICATIONS

Shenzhen AEE Technology, Co., Ltd., “Professional car camcorder CD20,” 4 pages, Archived on Webarchive.org on Sep. 24, 2012, [online] [Retrieved on Jan. 9, 2013] Retrieved from the internet <URL:<http://web-beta.archive.org/web/20120924044527/http://aee.com/en/productshow.asp?Sendid=77>>.

Woodman Labs, Inc., “GoPro—Suction Cup Mount,” 2 pages, Archived on Webarchive.org on May 18, 2012, [online] [Retrieved on Jan. 9, 2013] Retrieved from the internet <URL:<http://web-beta.archive.org/web/20120518223156/http://gopro.com/camera-mounts/suction-cup-mount/>>.

* cited by examiner

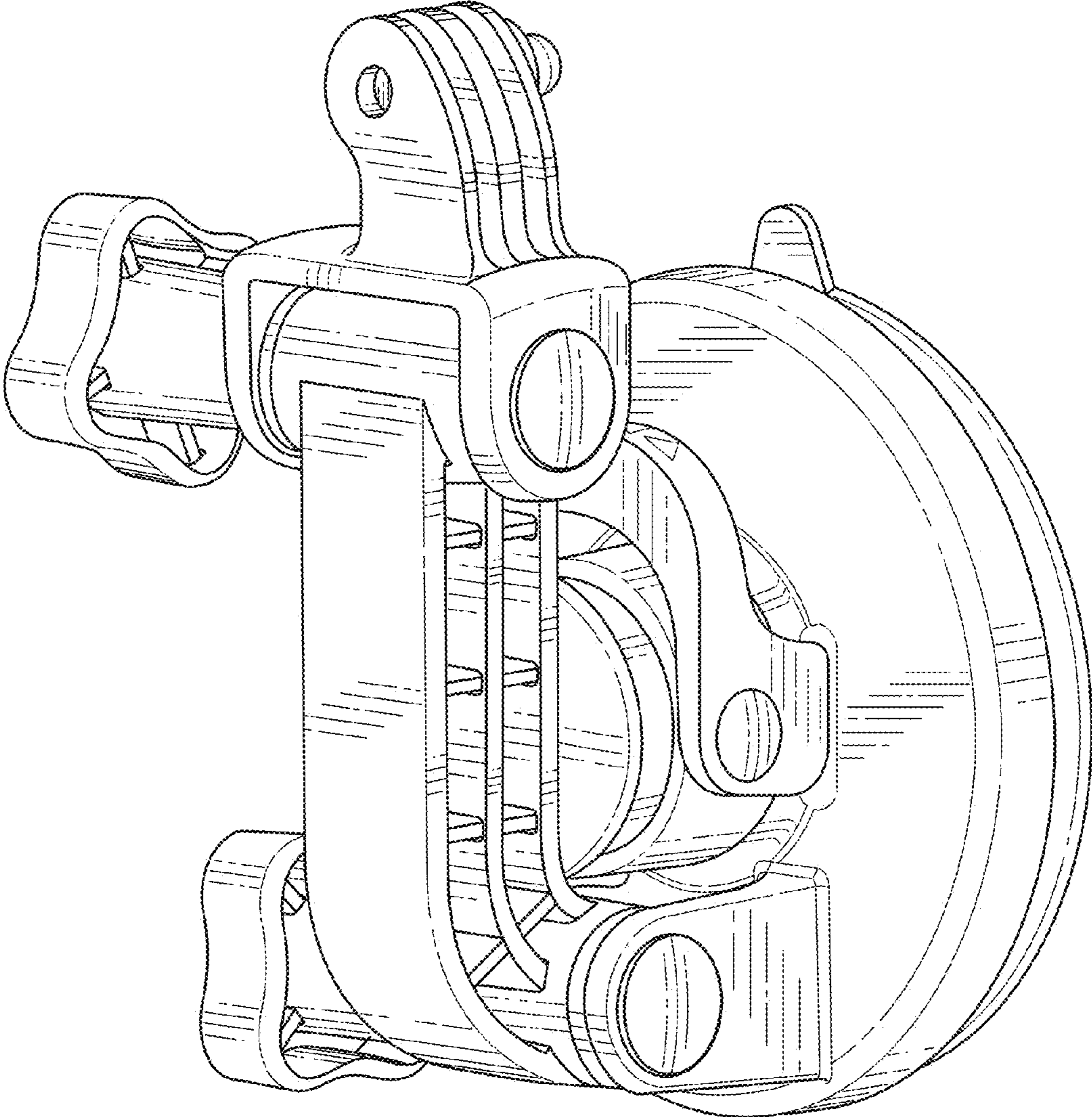


FIG. 1

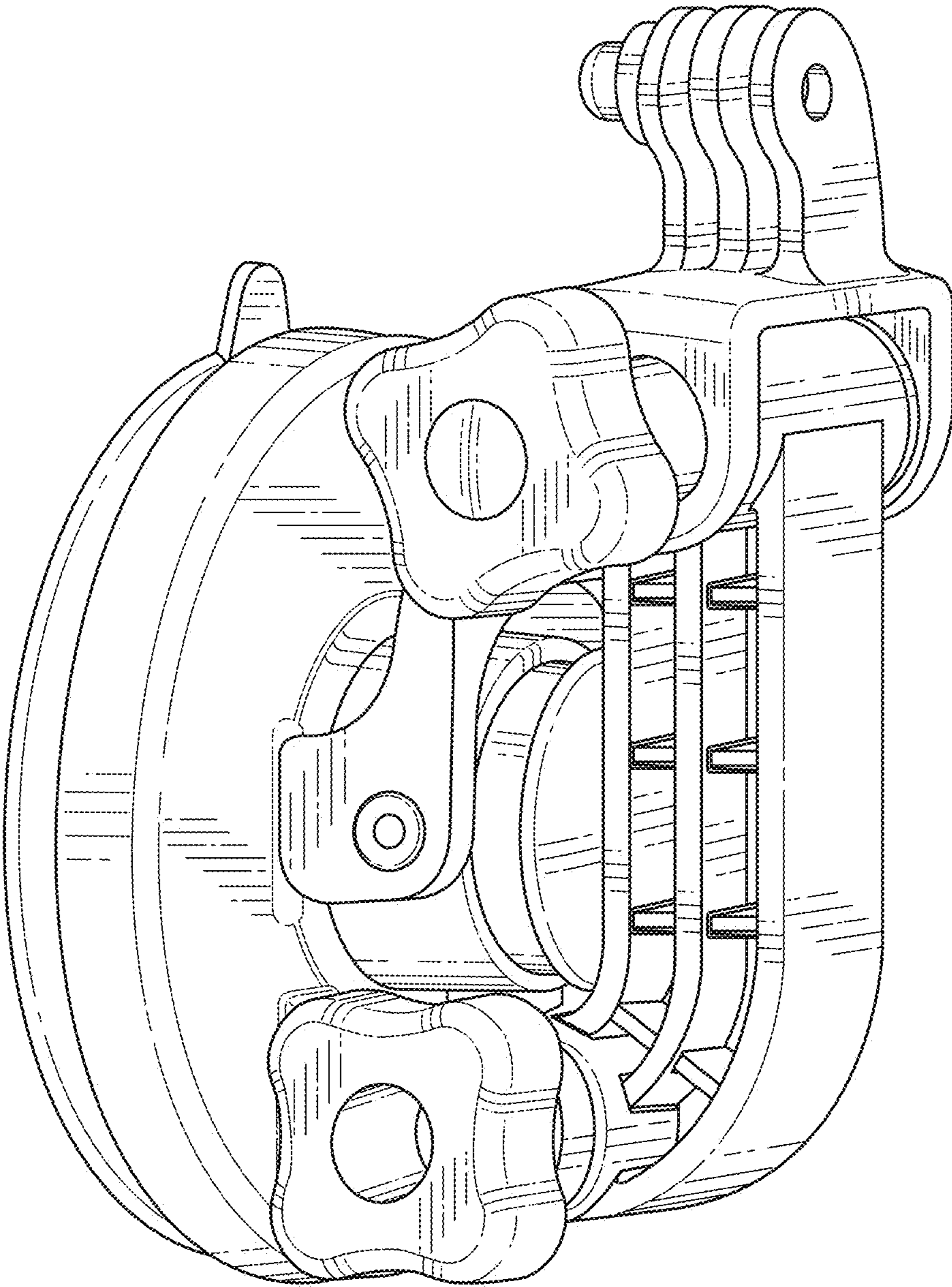


FIG. 2

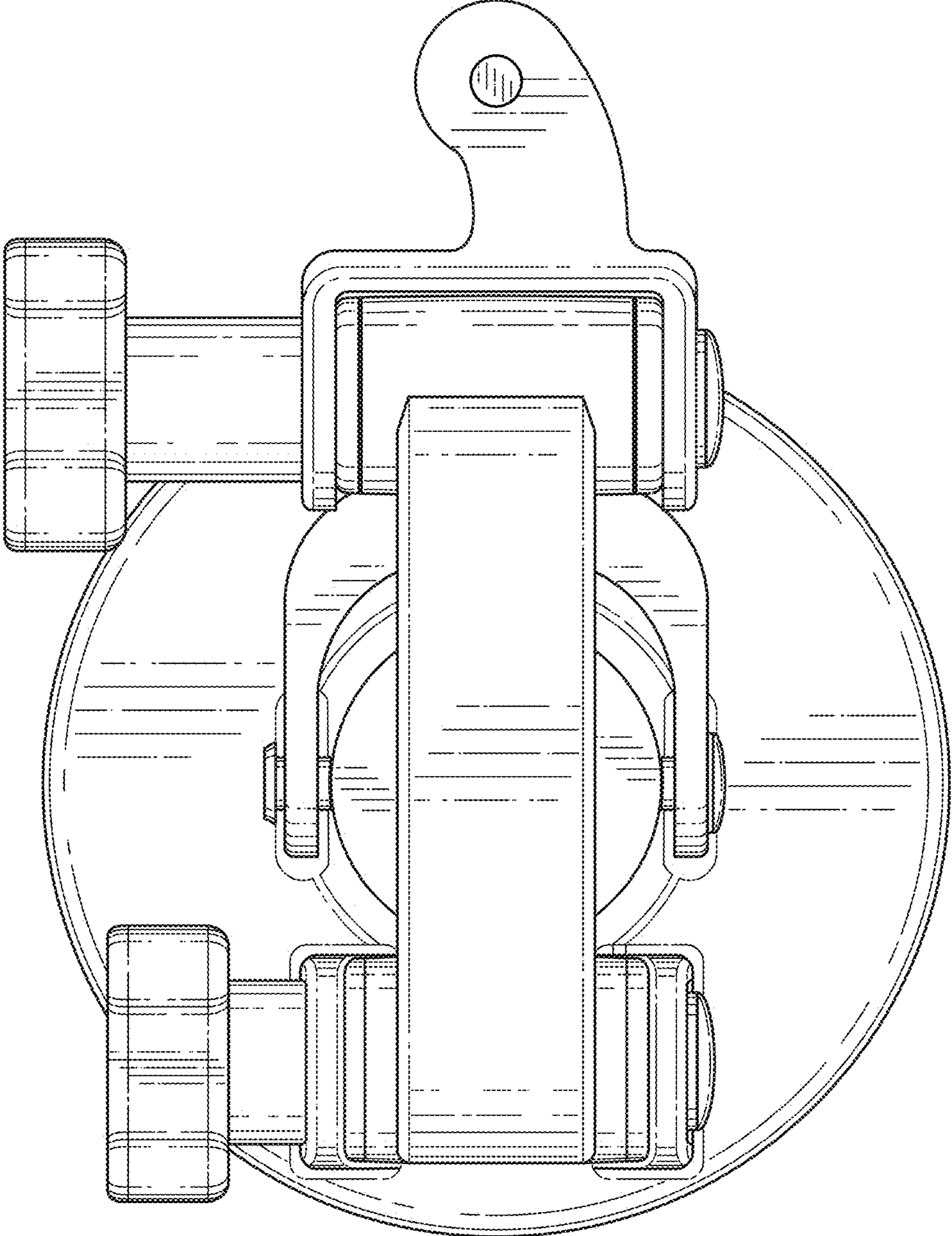


FIG. 3

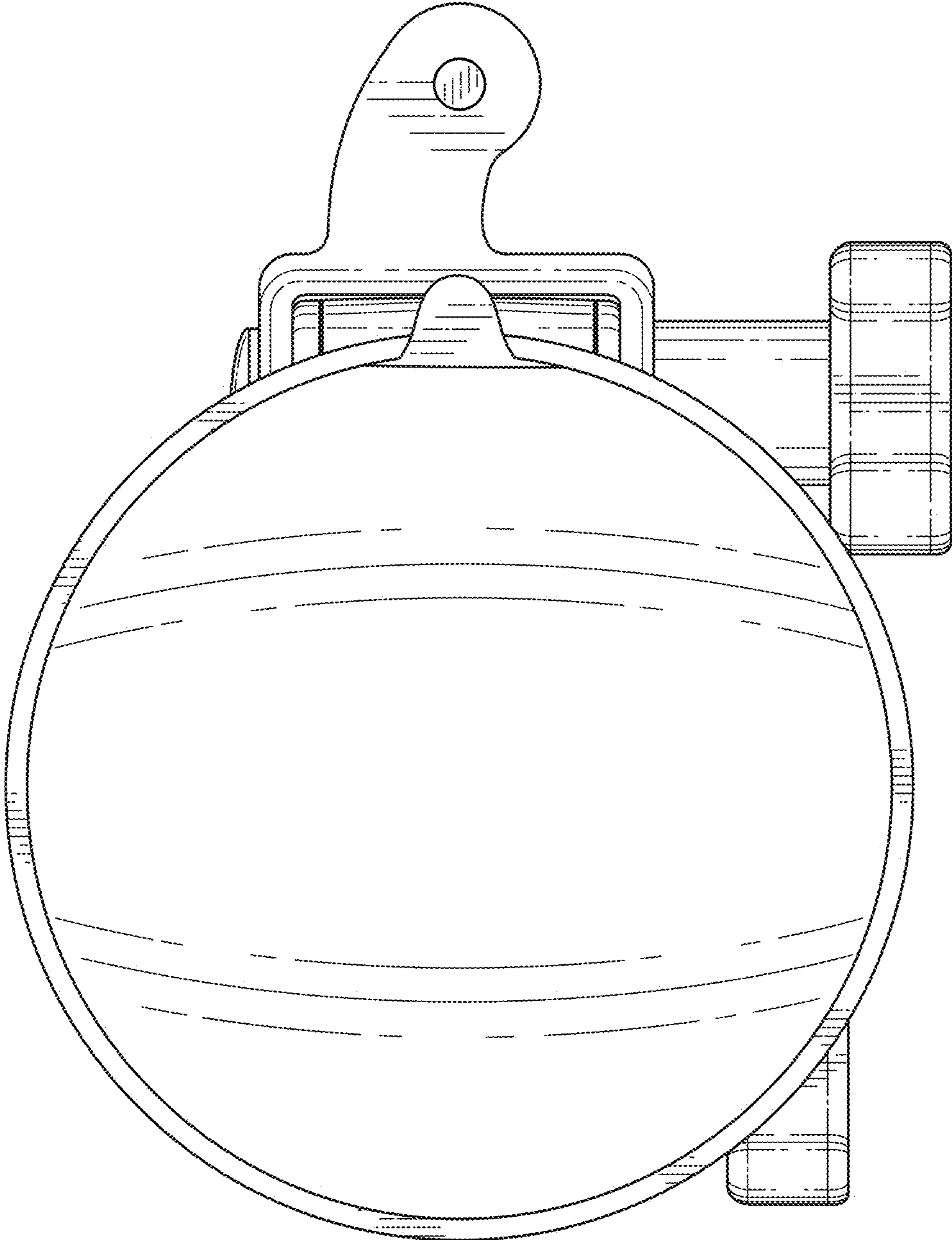


FIG. 4

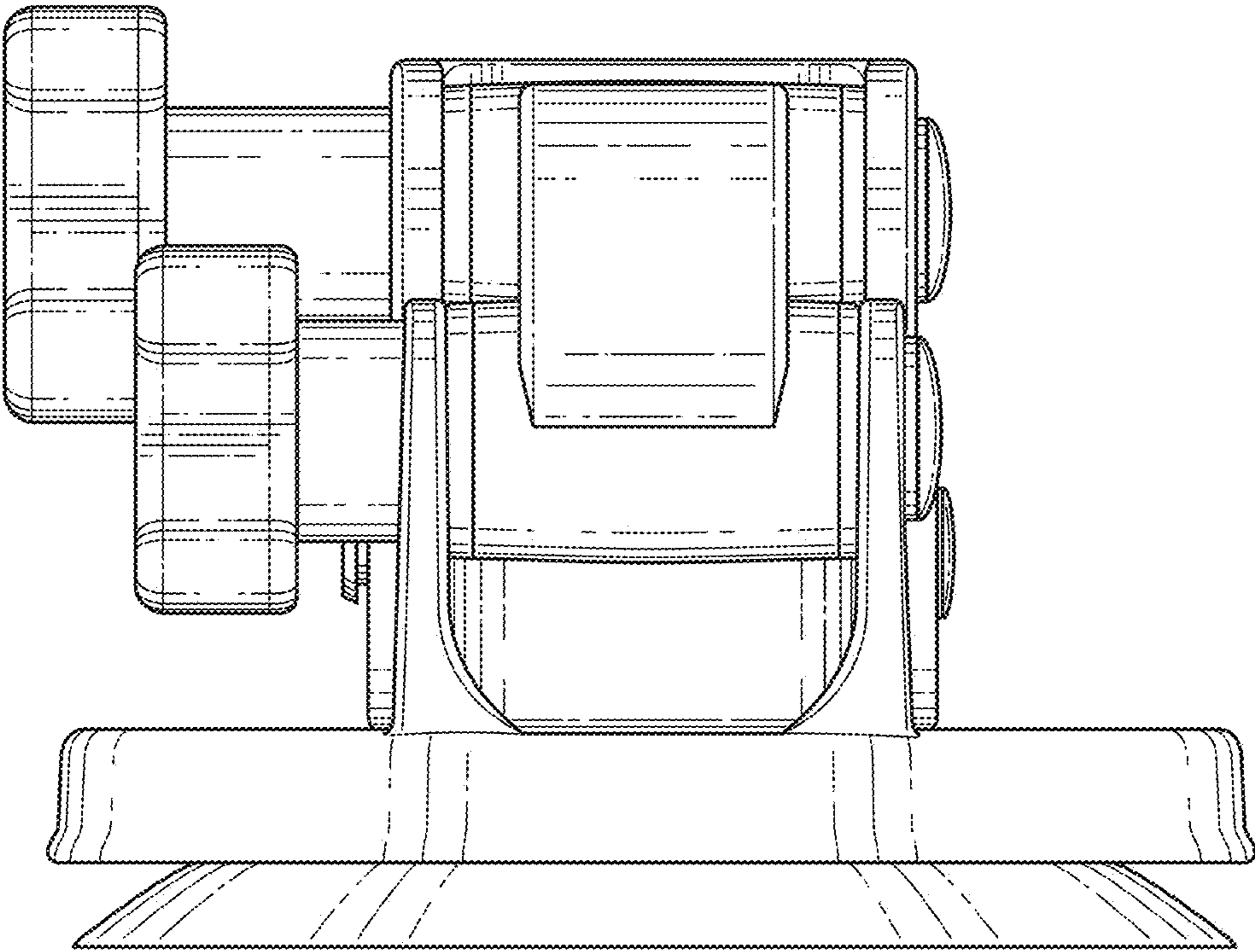


FIG. 5

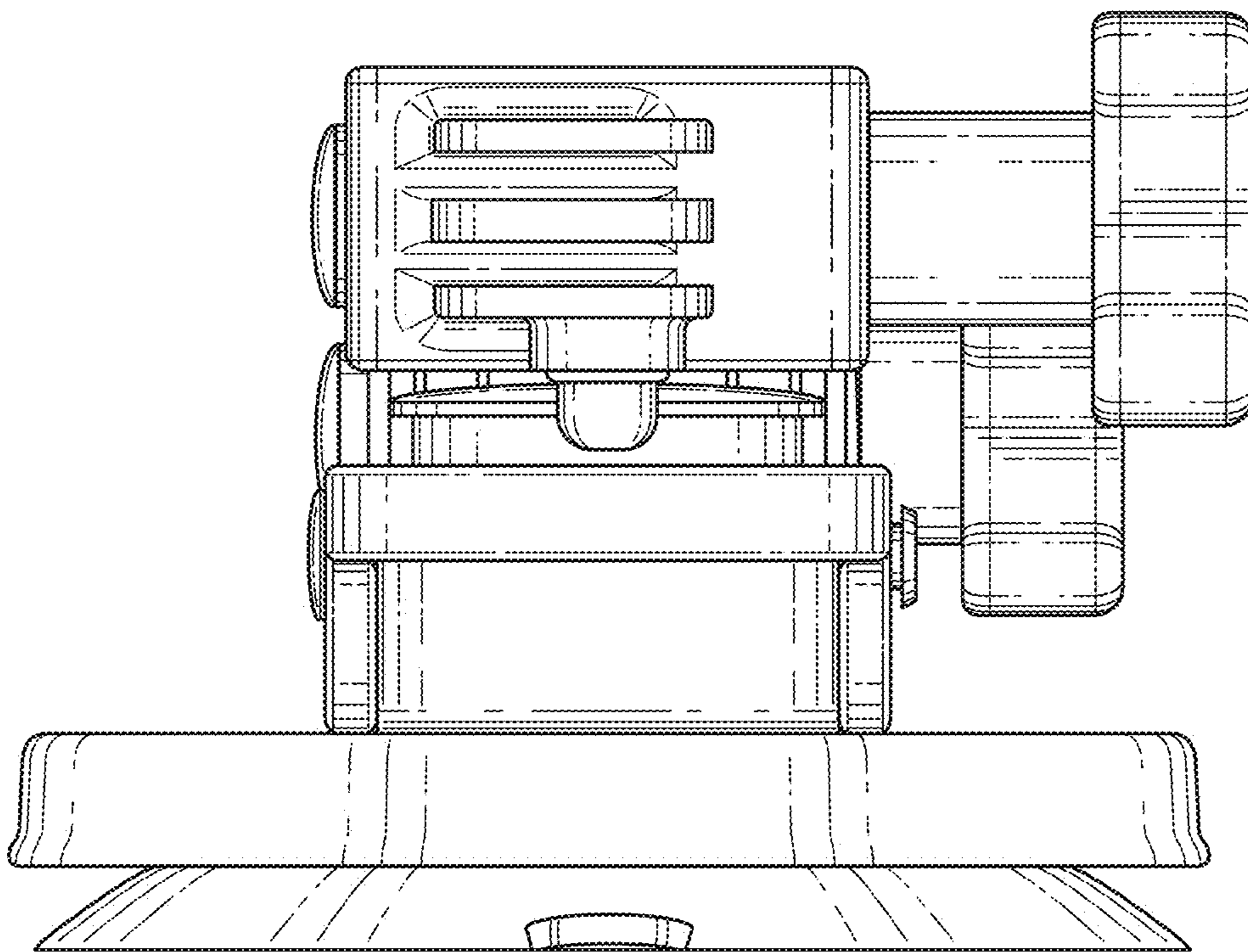


FIG. 6

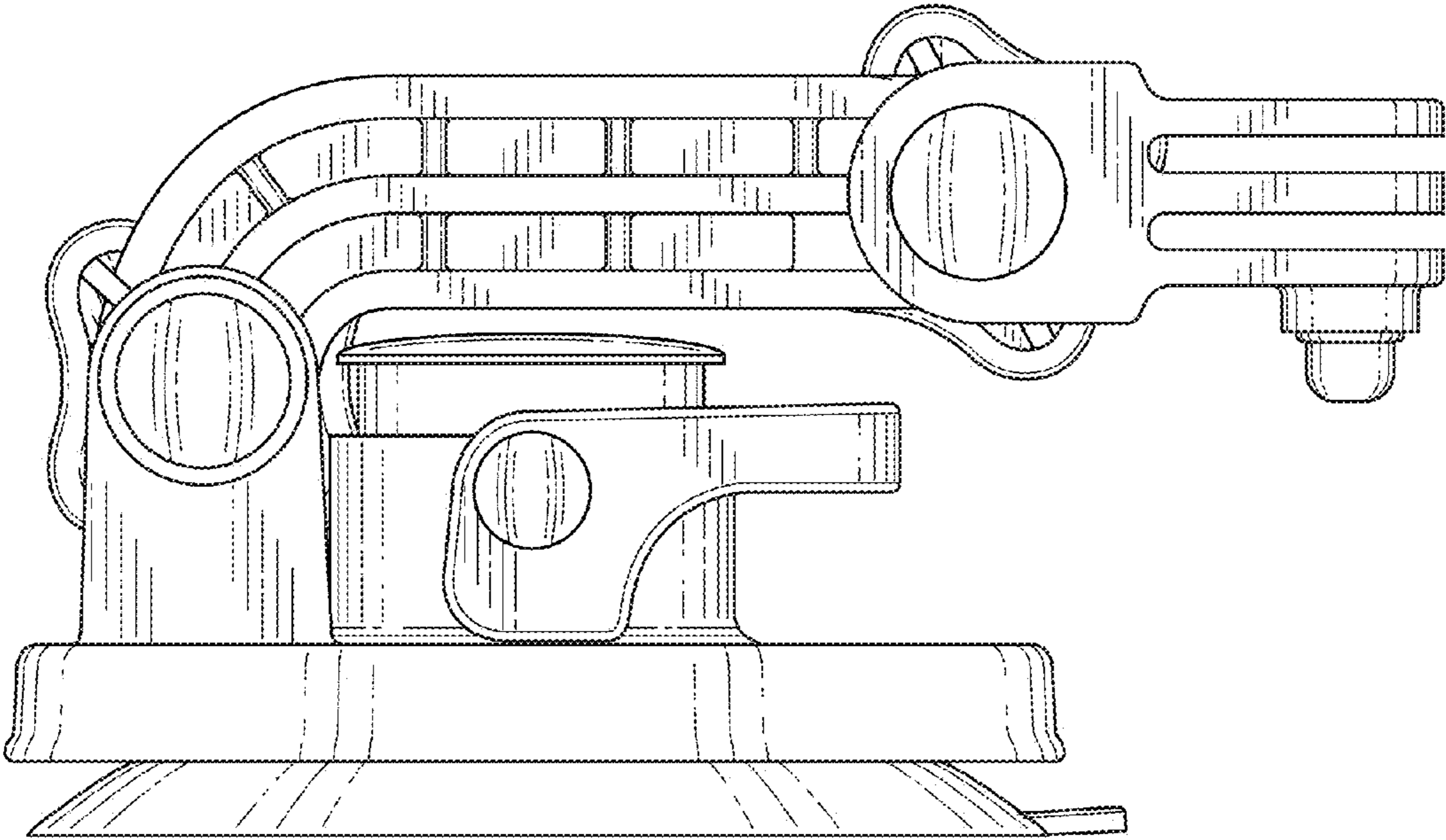


FIG. 7

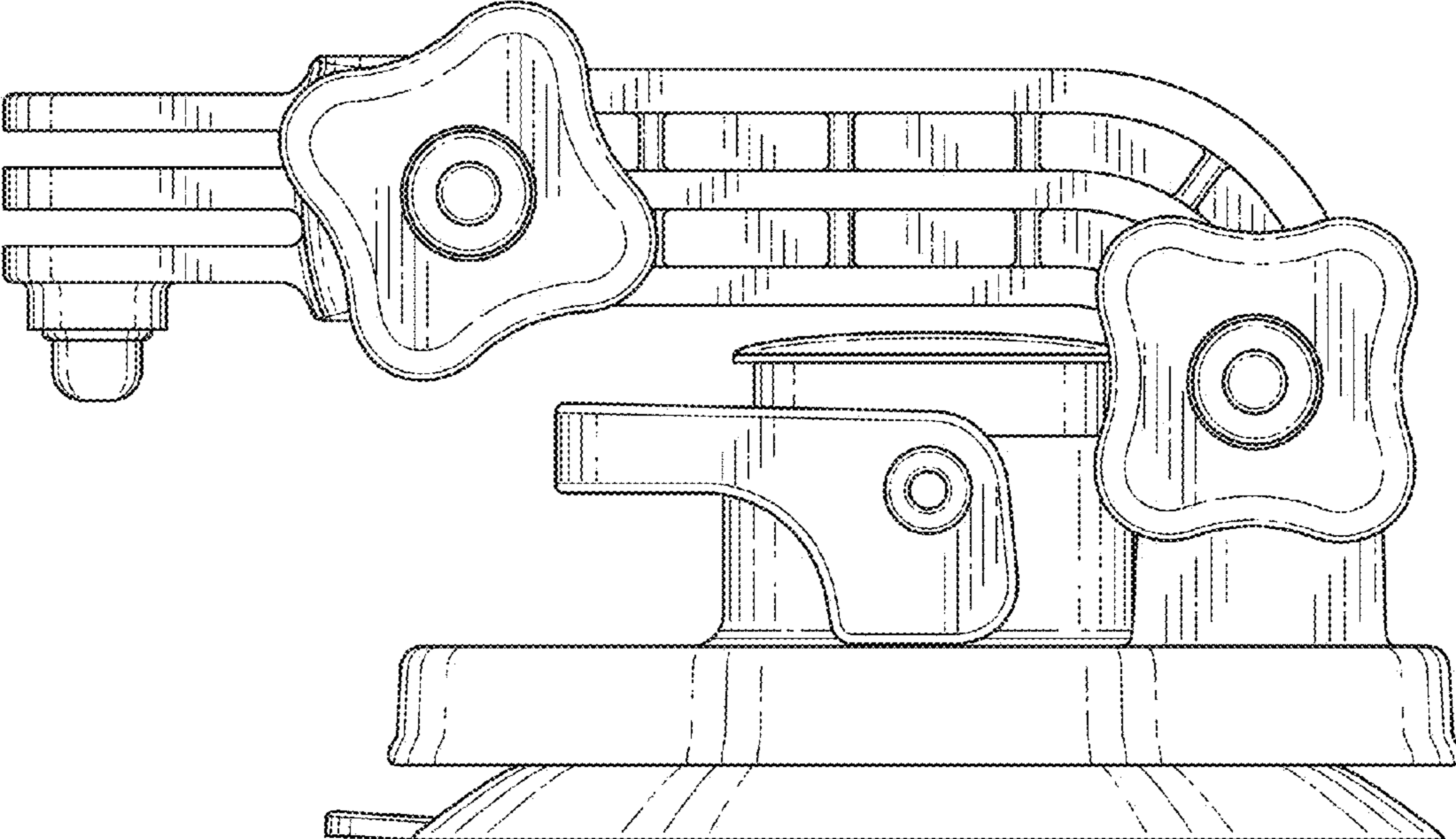


FIG. 8

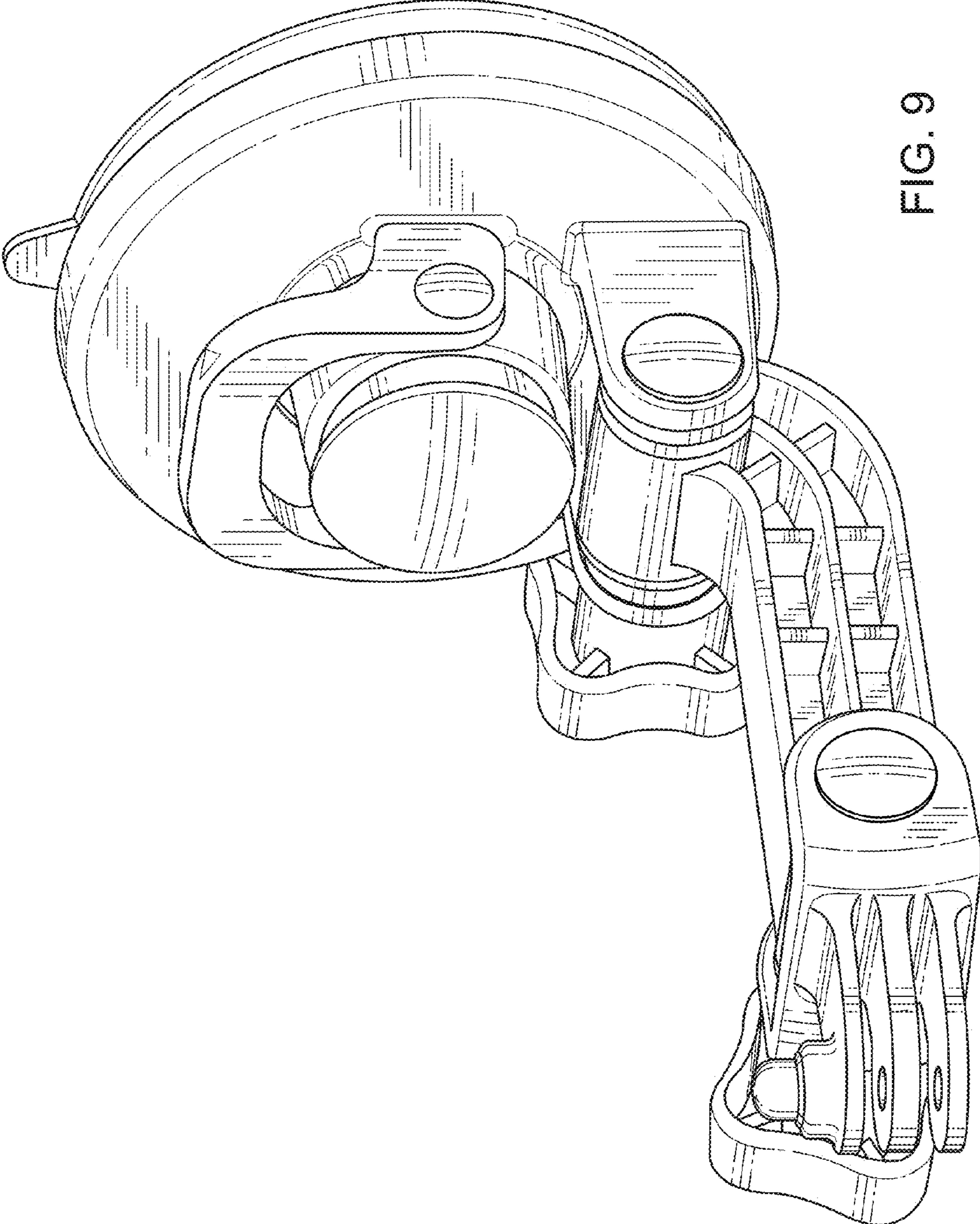


FIG. 9

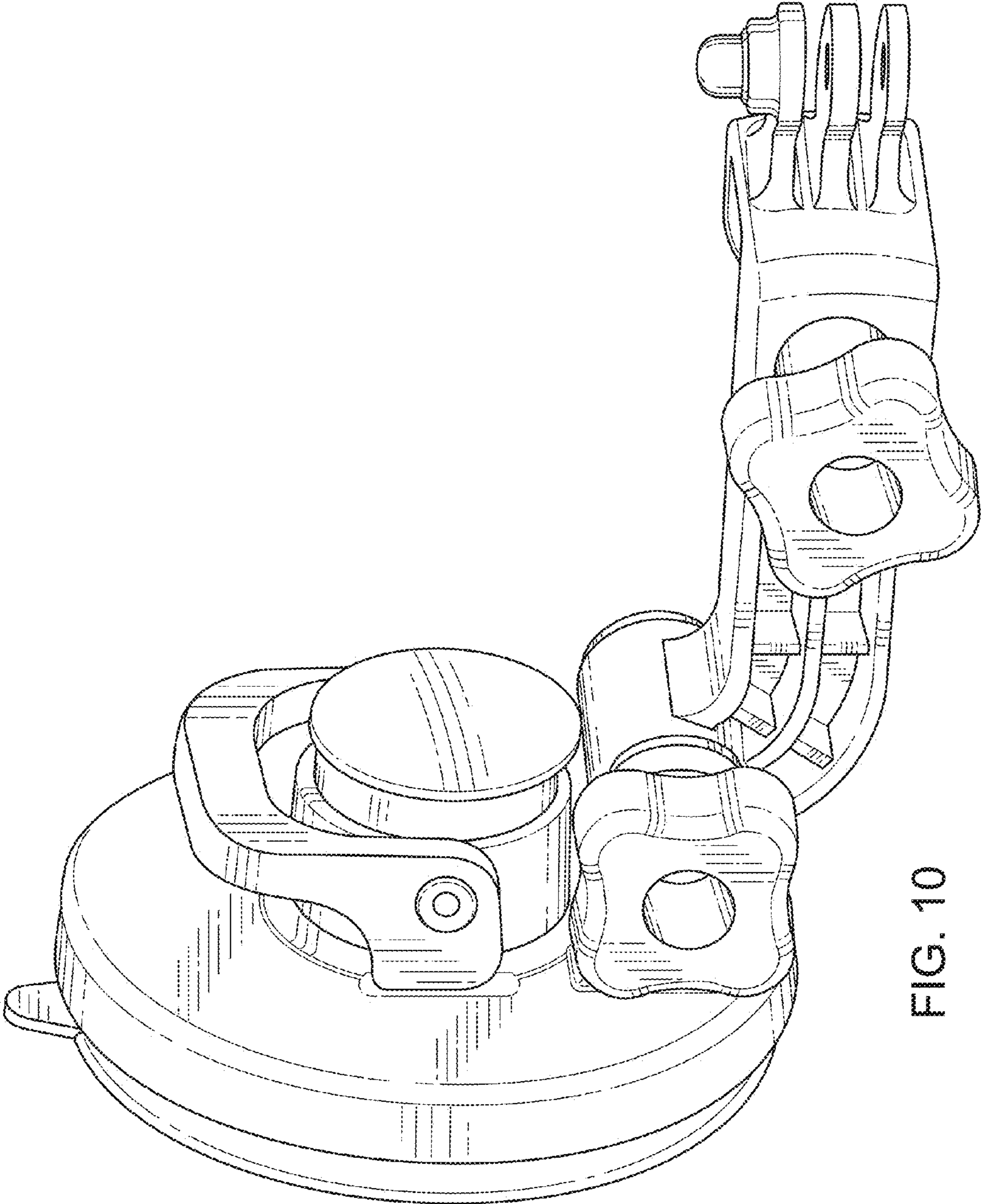


FIG. 10

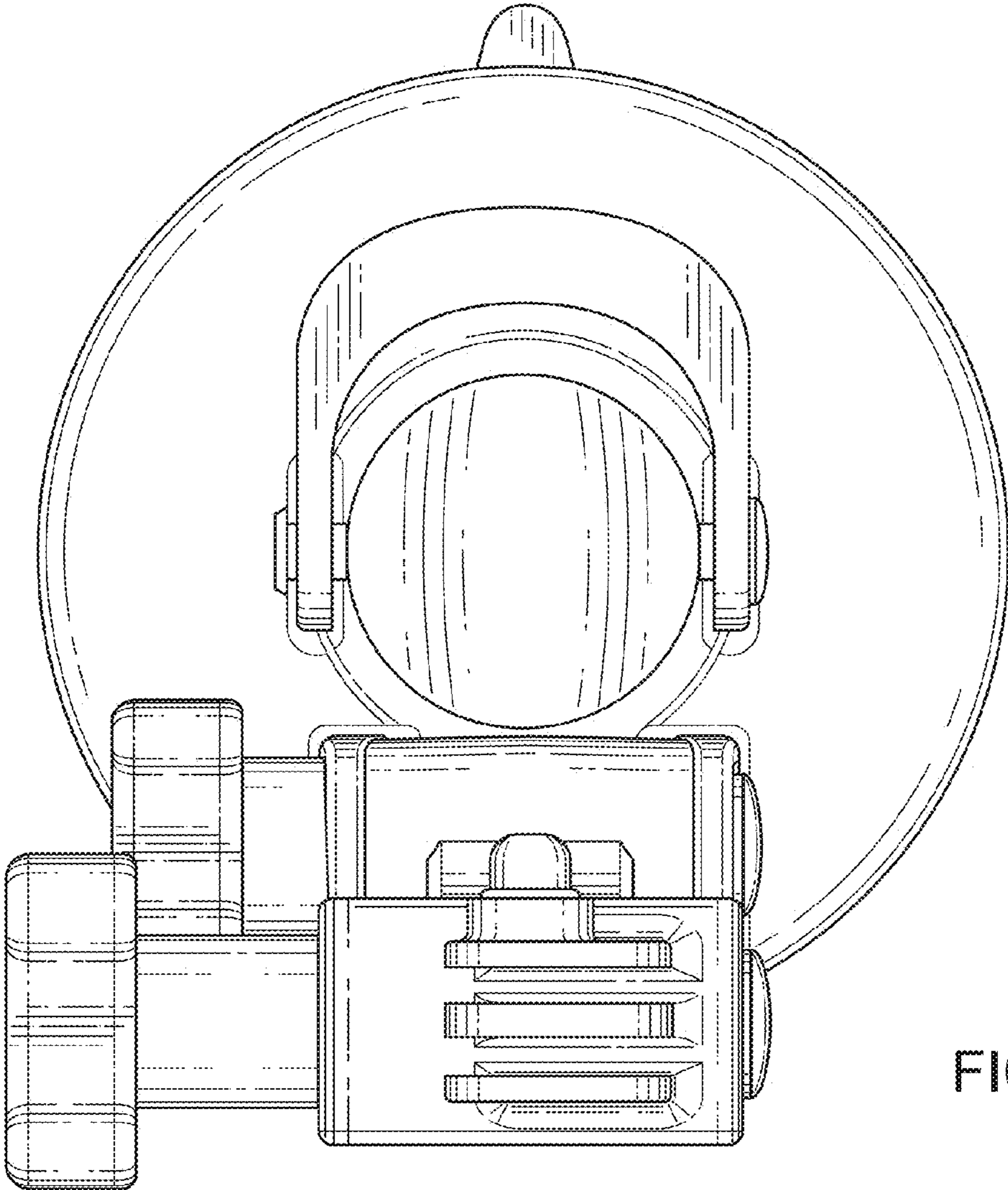


FIG. 11

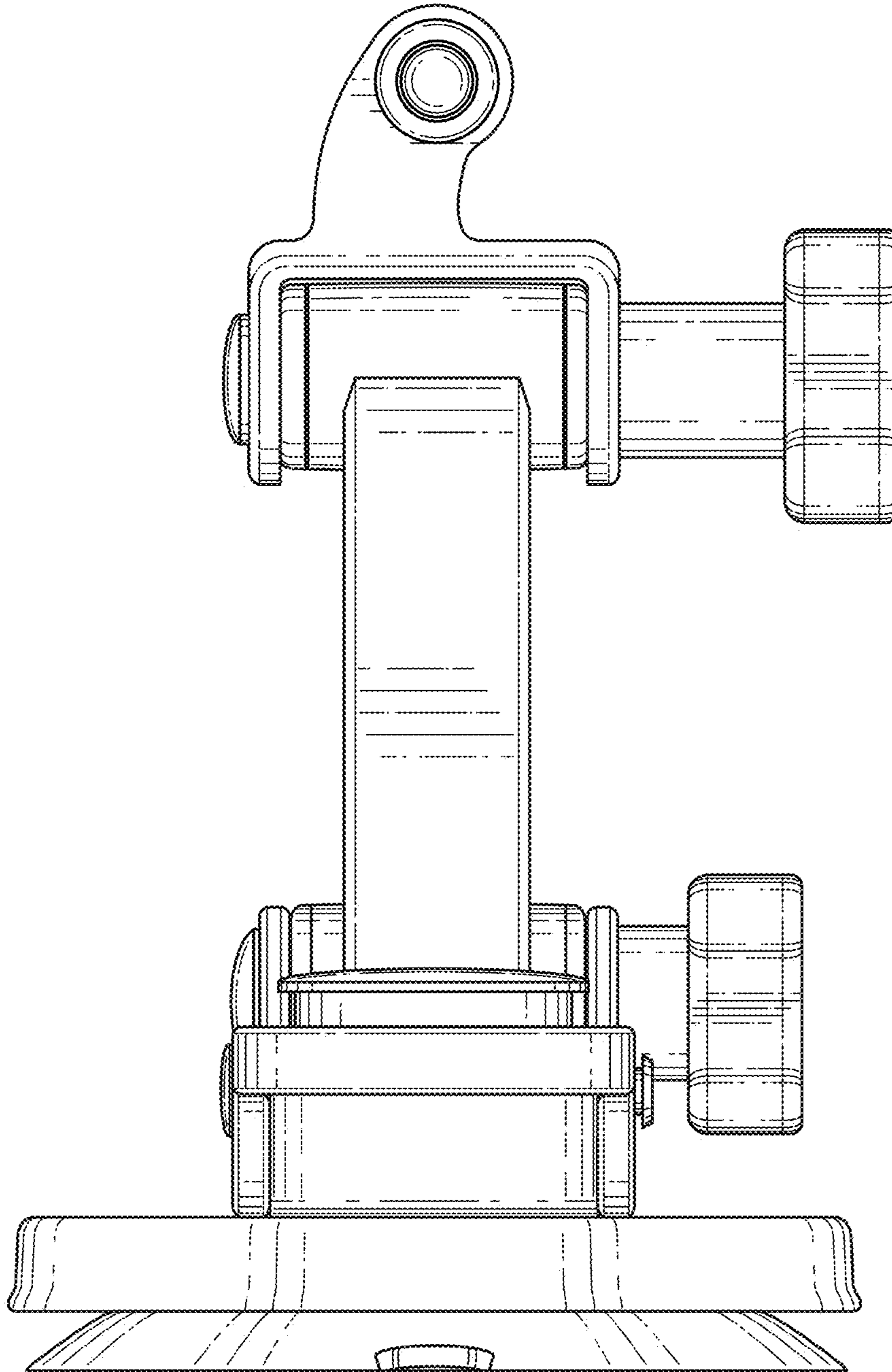


FIG. 12

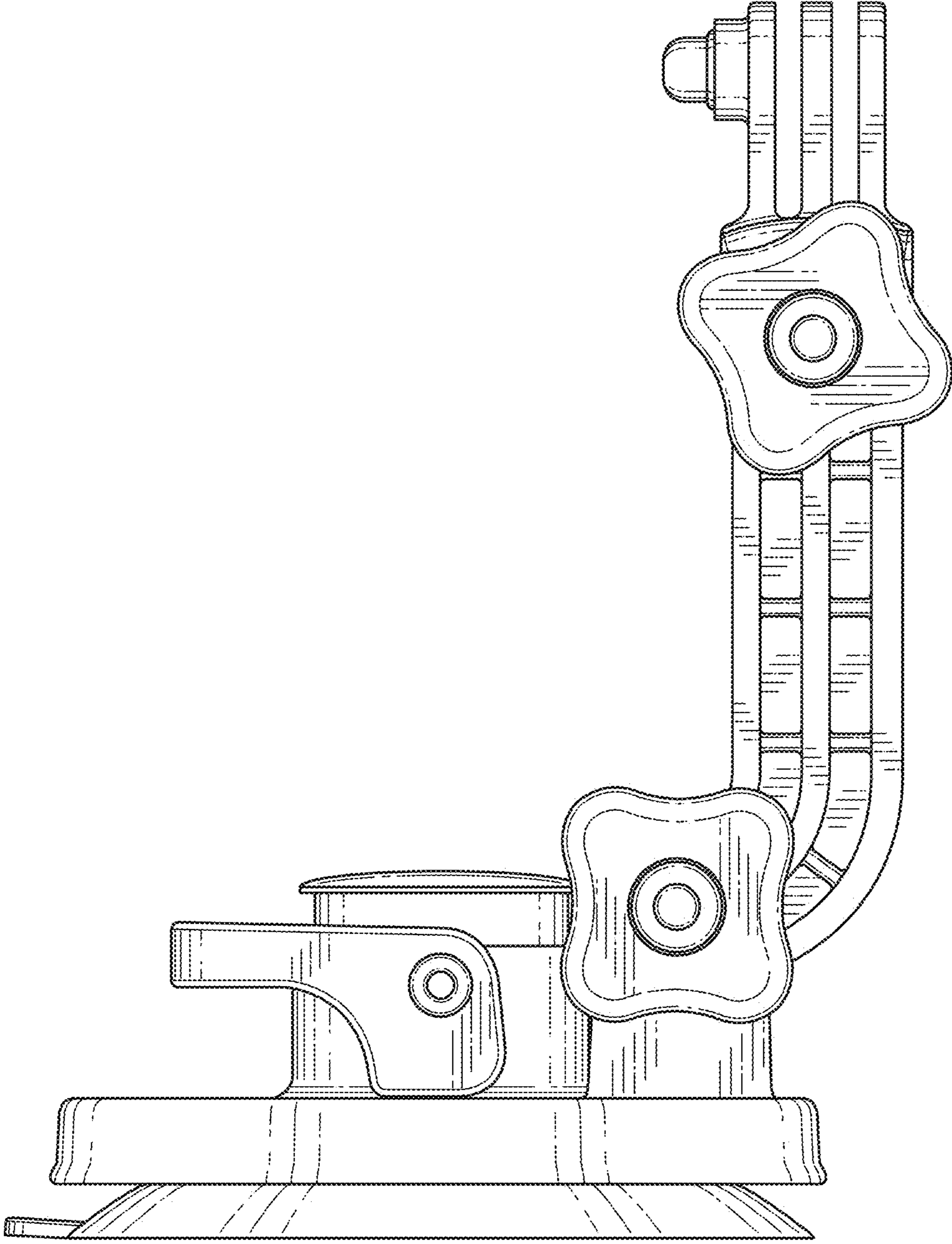


FIG. 13

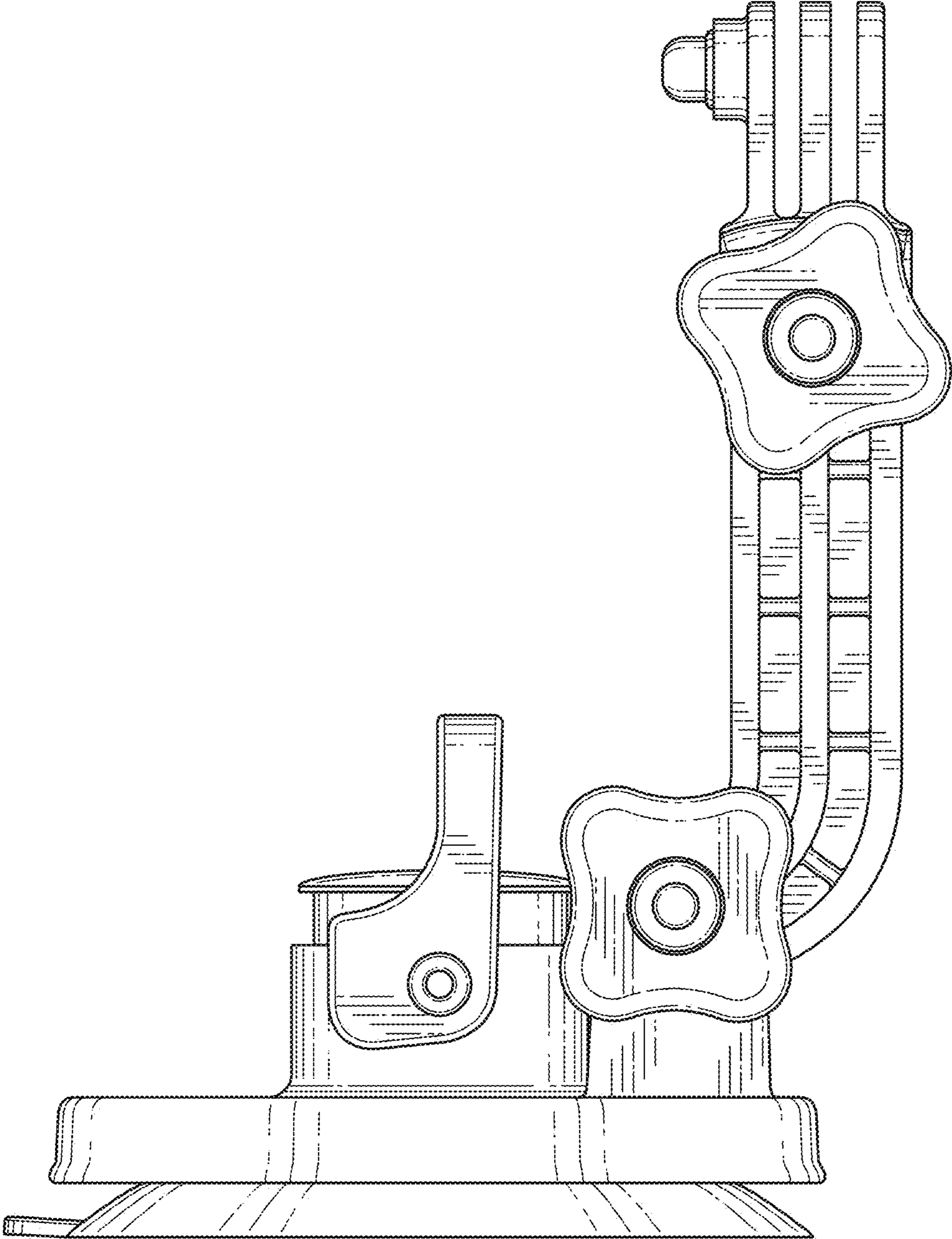


FIG. 14

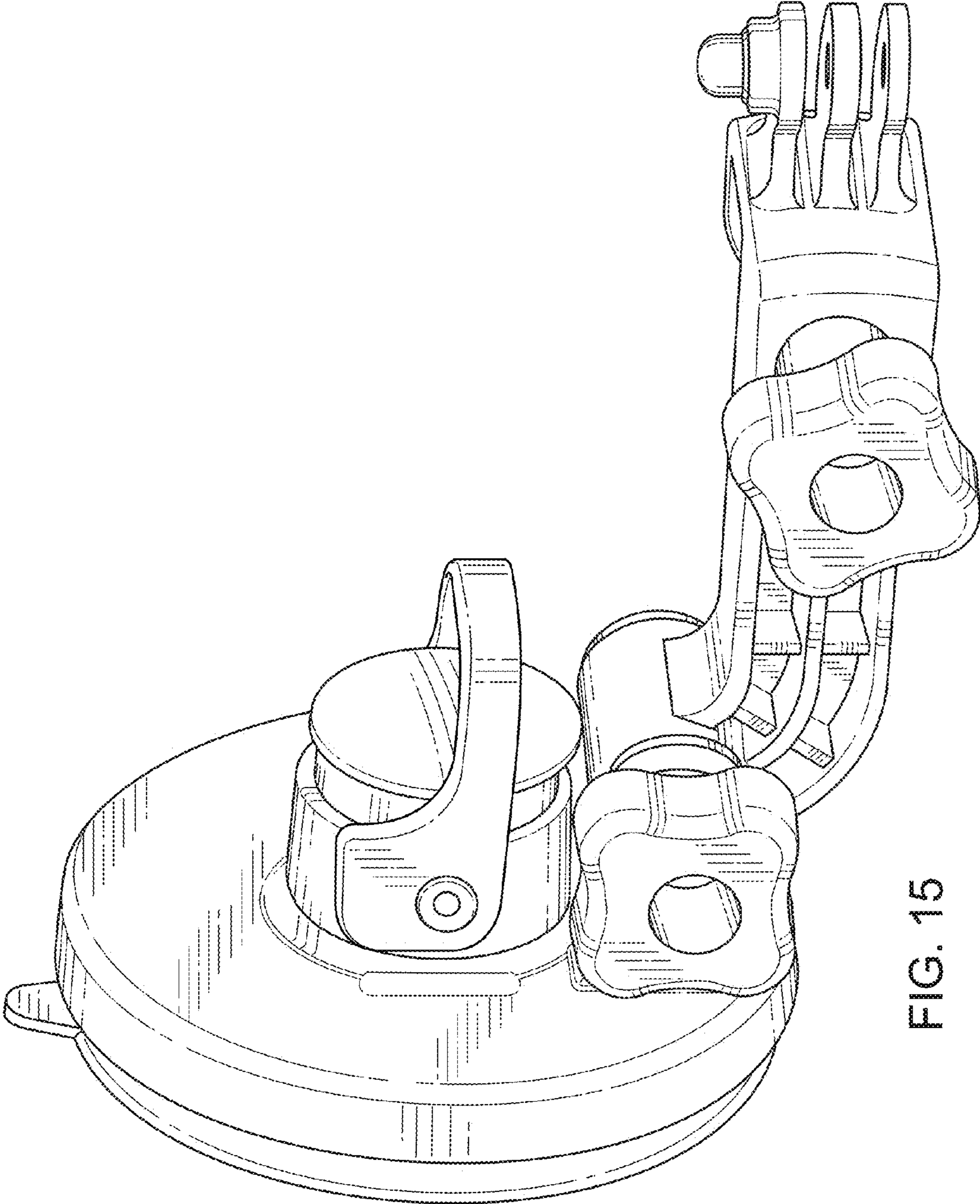


FIG. 15

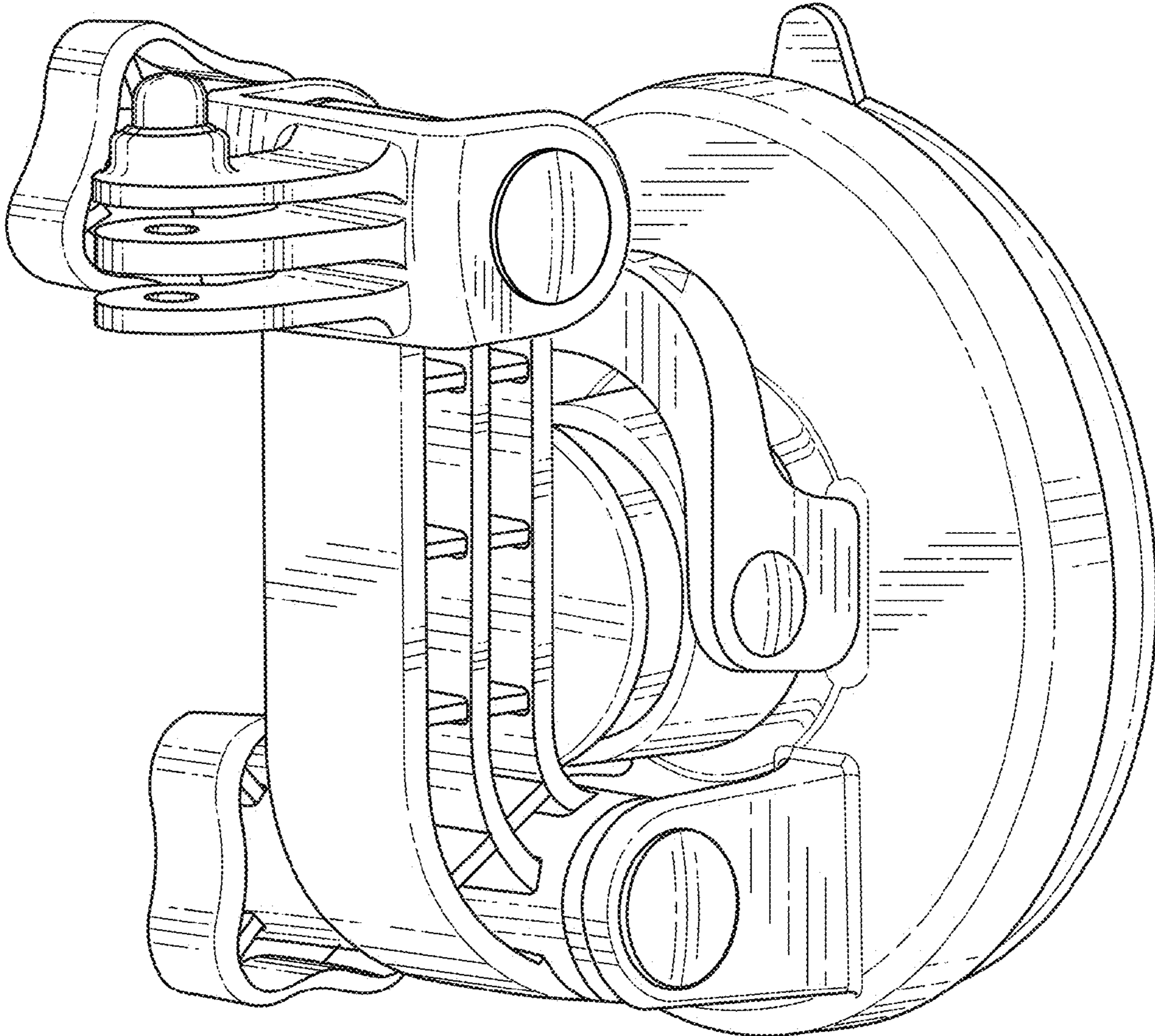


FIG. 16

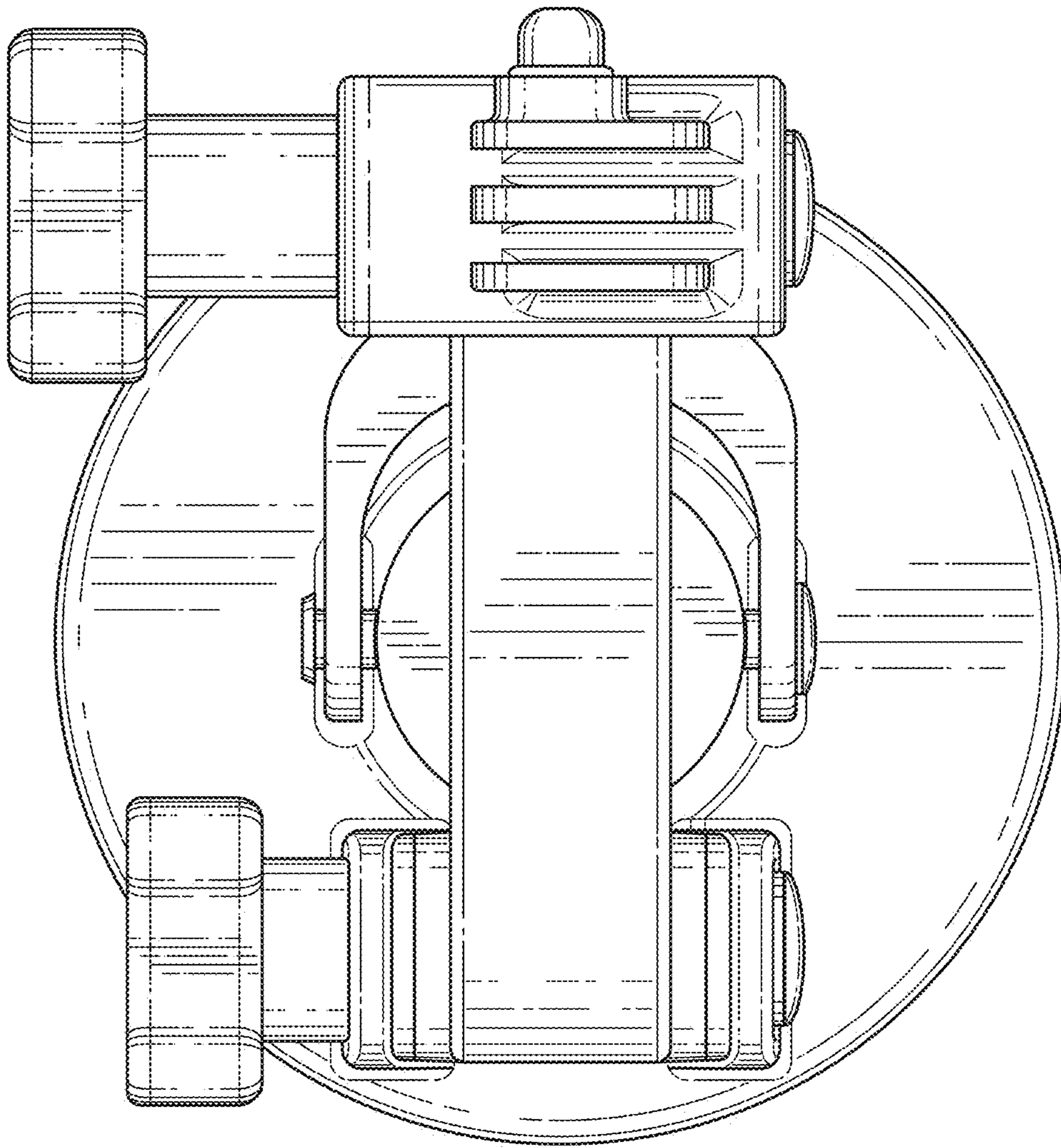


FIG. 17

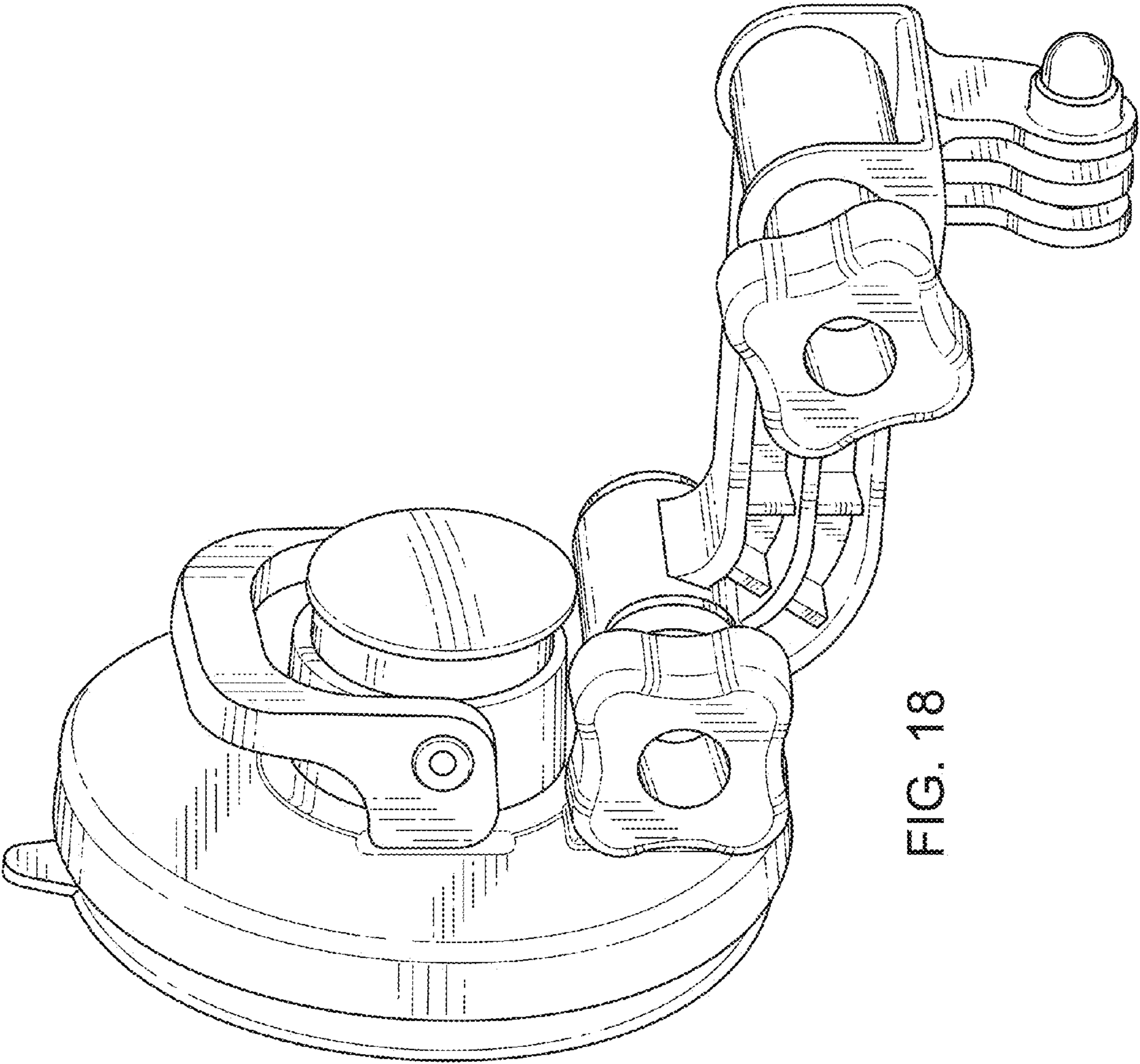


FIG. 18