



US00D688725S

(12) **United States Design Patent**
Tsai

(10) **Patent No.:** **US D688,725 S**
(45) **Date of Patent:** **** Aug. 27, 2013**

(54) **SUPPORT FOR AN ELECTRONIC CAMERA**

(75) Inventor: **James Iming Tsai**, Redmond, WA (US)

(73) Assignee: **Microsoft Corporation**, Redmond, WA (US)

(**) Term: **14 Years**

(21) Appl. No.: **29/415,002**

(22) Filed: **Mar. 6, 2012**

(51) **LOC (9) Cl.** **16-05**

(52) **U.S. Cl.**
USPC **D16/242**

(58) **Field of Classification Search**
USPC D16/219, 235, 237, 242–245, 250,
D16/200–204, 208; D14/217, 511; 248/176.1,
248/177.1, 178.1, 179.1, 180.1, 183.1, 187.1,
248/683; 348/373, 375; 396/419–420, 422,
396/428, 535; D8/394, 395

See application file for complete search history.

(56) **References Cited**

U.S. PATENT DOCUMENTS

D323,668	S	*	2/1992	Schwartz et al.	D16/242
D480,730	S	*	10/2003	Doherty et al.	D14/447
D555,699	S	*	11/2007	Oh et al.	D16/242
D576,649	S		9/2008	Kim		
D581,960	S		12/2008	Kim et al.		
D600,730	S		9/2009	Su		
D612,882	S		3/2010	Kim et al.		
D619,484	S		7/2010	Ikeda et al.		
7,775,486	B2	*	8/2010	Depay et al.	248/126
D623,681	S	*	9/2010	Fong	D16/242
D624,109	S	*	9/2010	Wang et al.	D16/242
D631,079	S		1/2011	Tzeng		
D632,718	S		2/2011	Tzeng		
D647,934	S		11/2011	Raken et al.		
D647,946	S	*	11/2011	Raken et al.	D16/242
D659,178	S	*	5/2012	Huang et al.	D16/242
D669,111	S		10/2012	Ravi et al.		
D674,274	S	*	1/2013	Gasparino	D8/395
D675,660	S	*	2/2013	Su	D16/202
2007/0001071	A1	*	1/2007	Yeh	248/179.1

OTHER PUBLICATIONS

Microsoft LifeCam HD 5000 disclosed Mar. 2010 [online], [retrieved on May 2, 2012]. Retrieved from internet, <<http://www.microsoft.com/hardware/en-us/p/lifecam-hd-5000/7ND-00001>>.
Microsoft LifeCam HD 3000 disclosed Feb. 11, 2011 [online], [retrieved on May 2, 2012]. Retrieved from internet, <<http://www.microsoft.com/hardware/en-us/p/lifecam-hd-3000/T3H-00001>>.

* cited by examiner

Primary Examiner — Susan Bennett Hattan

Assistant Examiner — Vy Koenig

(74) *Attorney, Agent, or Firm* — Banner & Witcoff, Ltd.

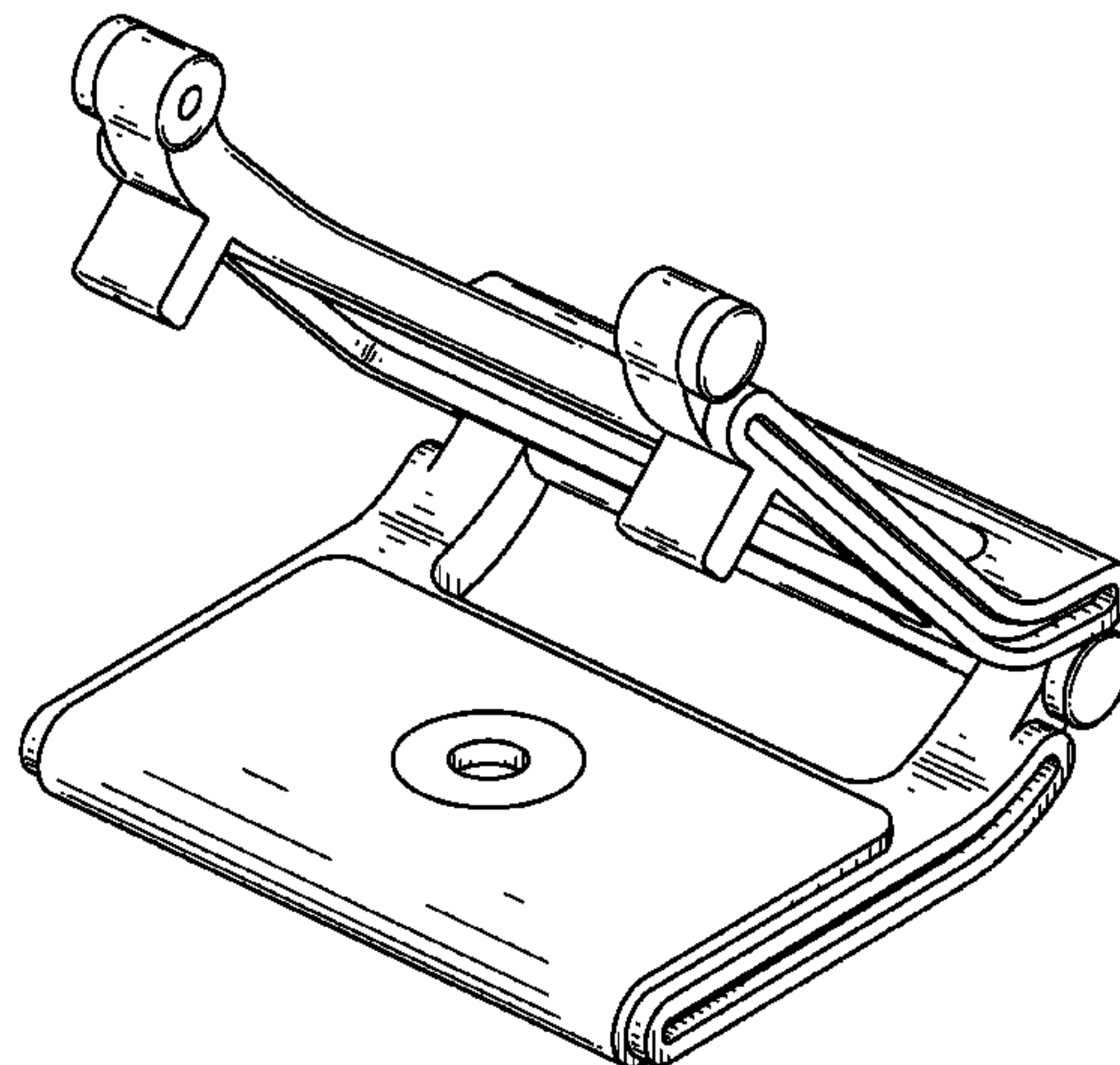
(57) **CLAIM**

The ornamental design for a support for an electronic camera, as shown and described.

DESCRIPTION

FIG. 1 is a front perspective view of a support for an electronic camera showing my new design;
FIG. 2 is a front view thereof;
FIG. 3 is a rear view thereof;
FIG. 4 is a side view thereof;
FIG. 5 is a second side view thereof;
FIG. 6 is a top view thereof;
FIG. 7 is a bottom view thereof;
FIG. 8 is a front perspective view of the support for an electronic camera of FIGS. 1-7 shown in isolation;
FIG. 9 is a front view thereof;
FIG. 10 is a rear view thereof;
FIG. 11 is a side view thereof;
FIG. 12 is a second side view thereof;
FIG. 13 is a top view thereof; and,
FIG. 14 is a bottom view thereof.
The broken lines showing the electronic camera in FIGS. 1-7 are for environmental purposes only and form no part of the claimed design.

1 Claim, 14 Drawing Sheets



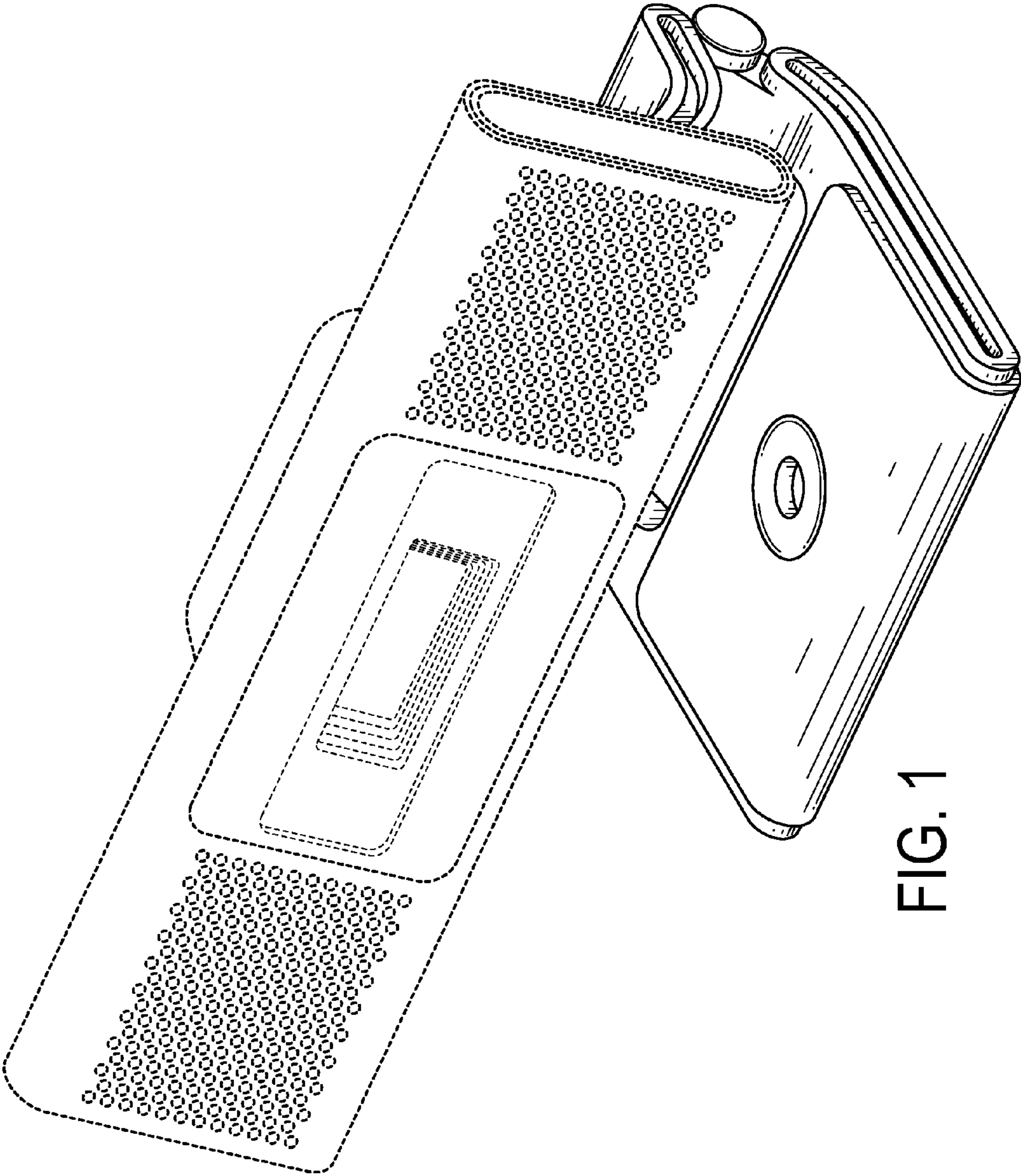


FIG. 1

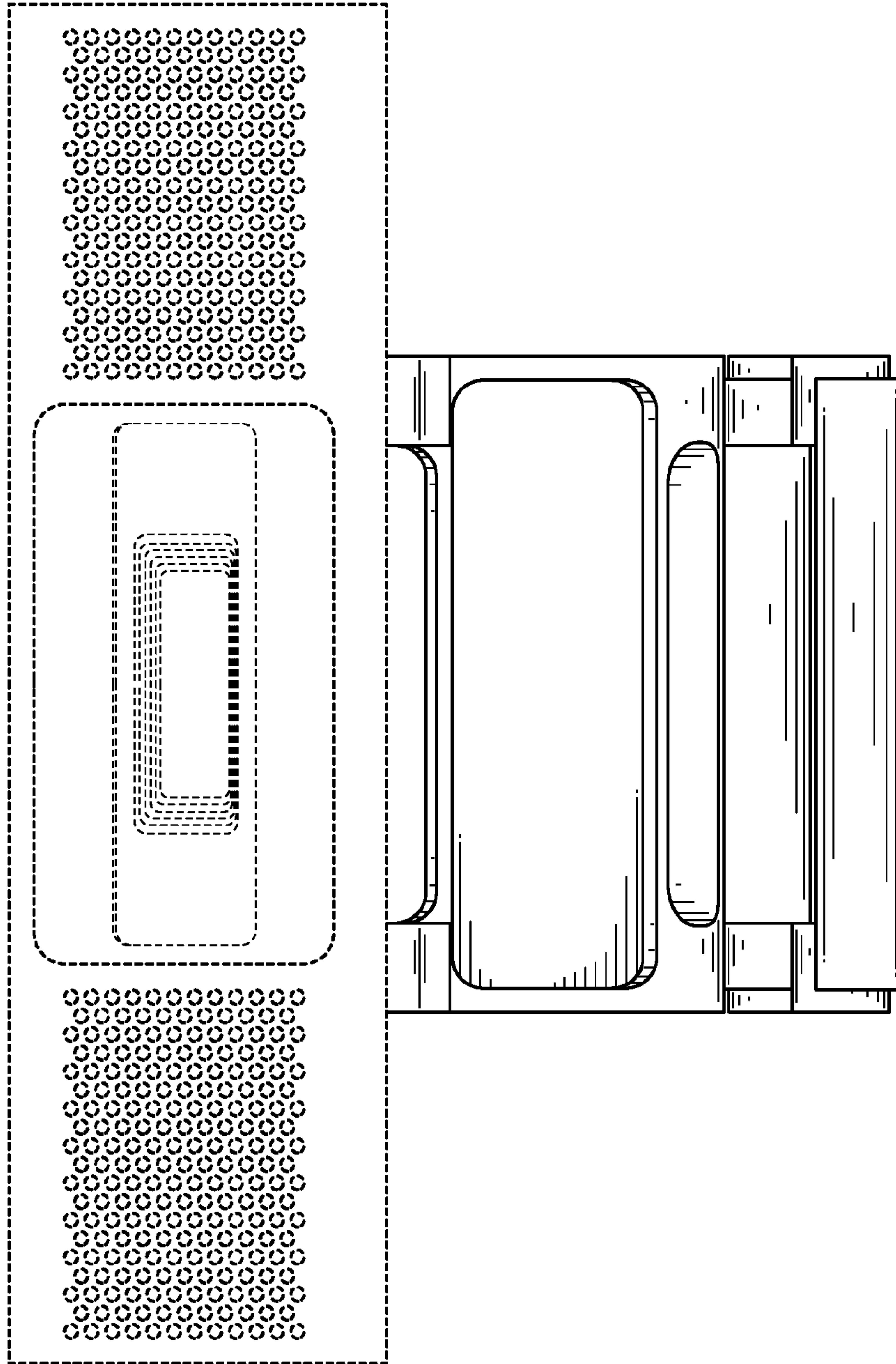


FIG. 2

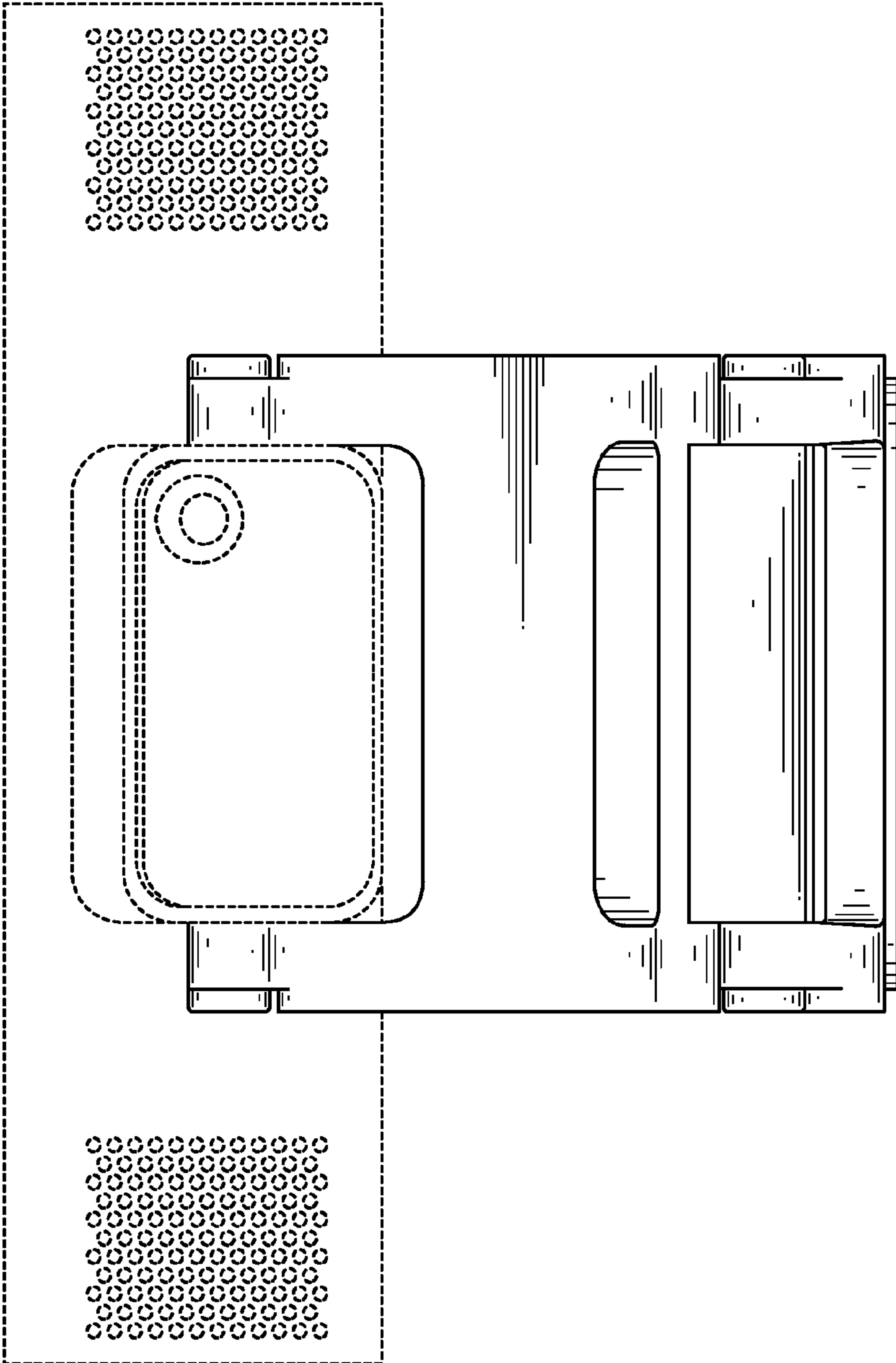


FIG. 3

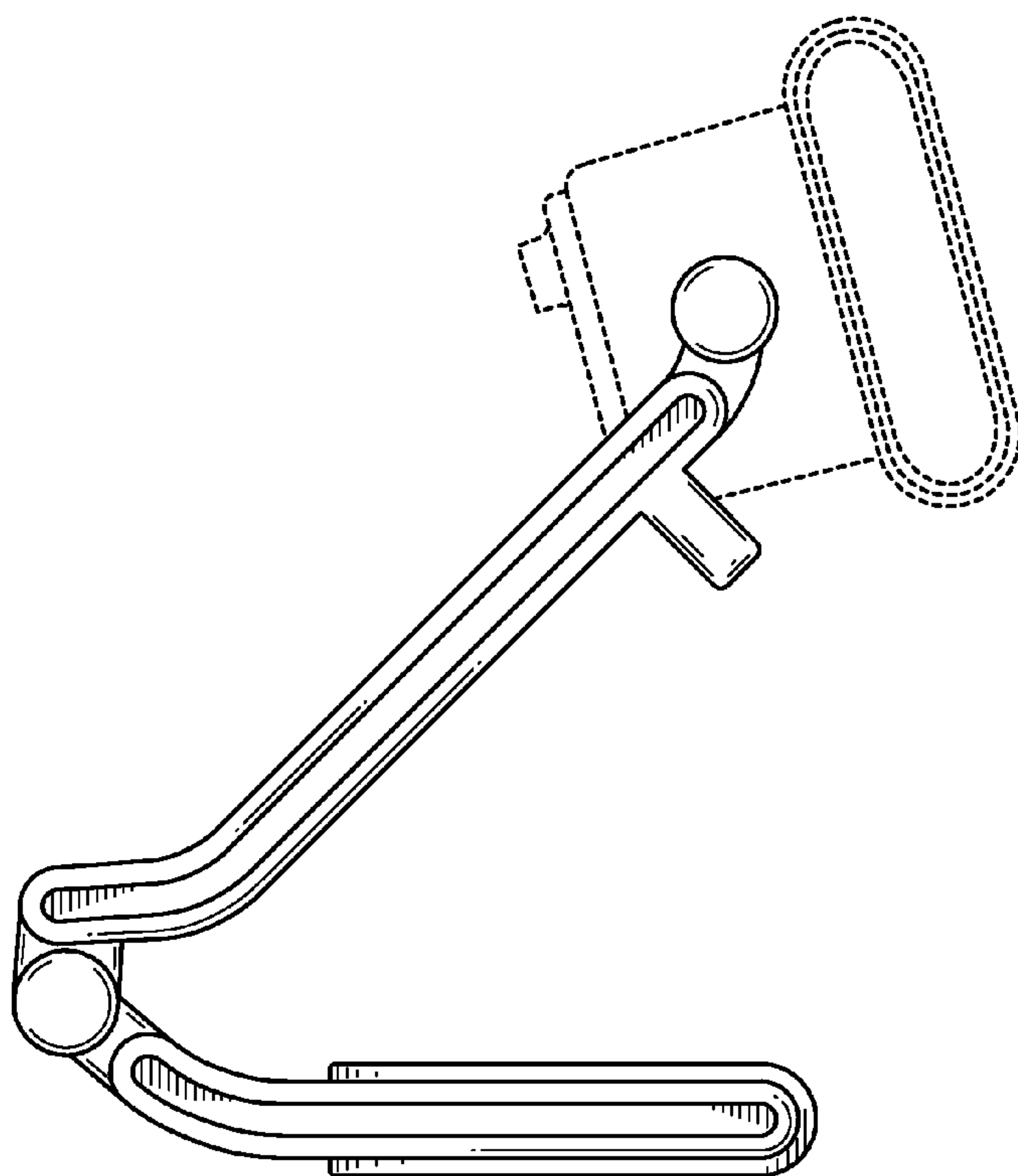


FIG. 4

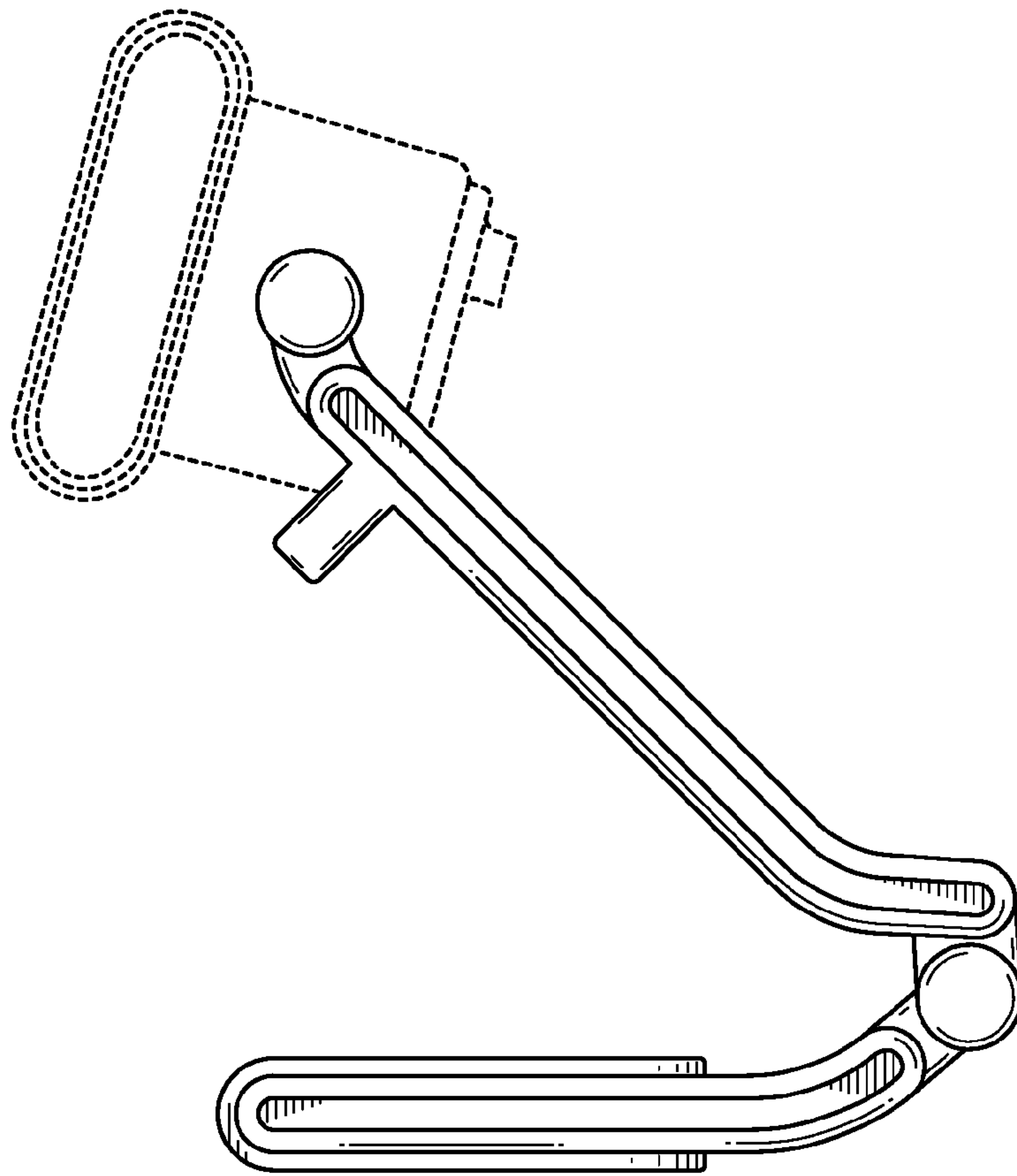


FIG. 5

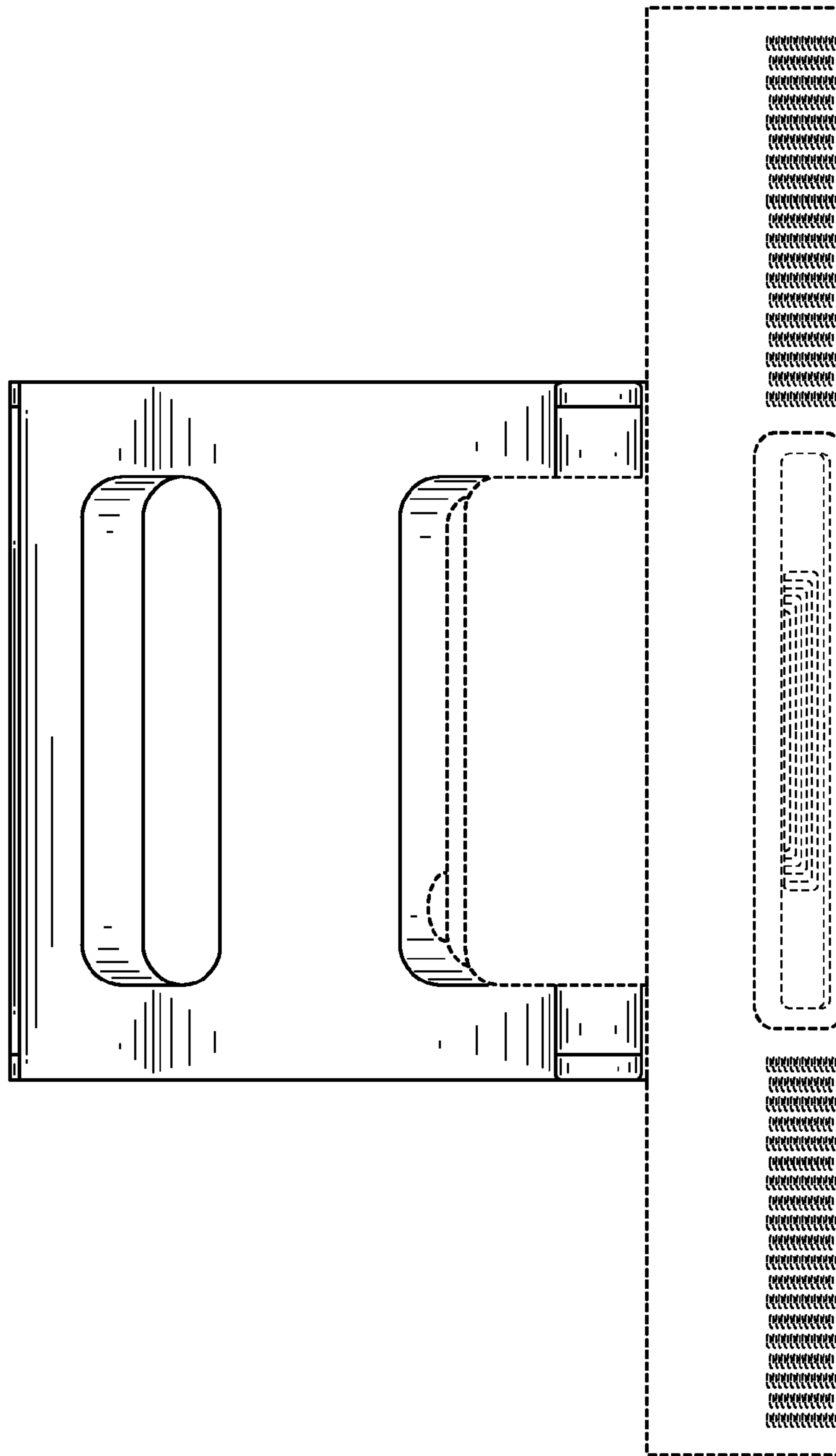


FIG. 6

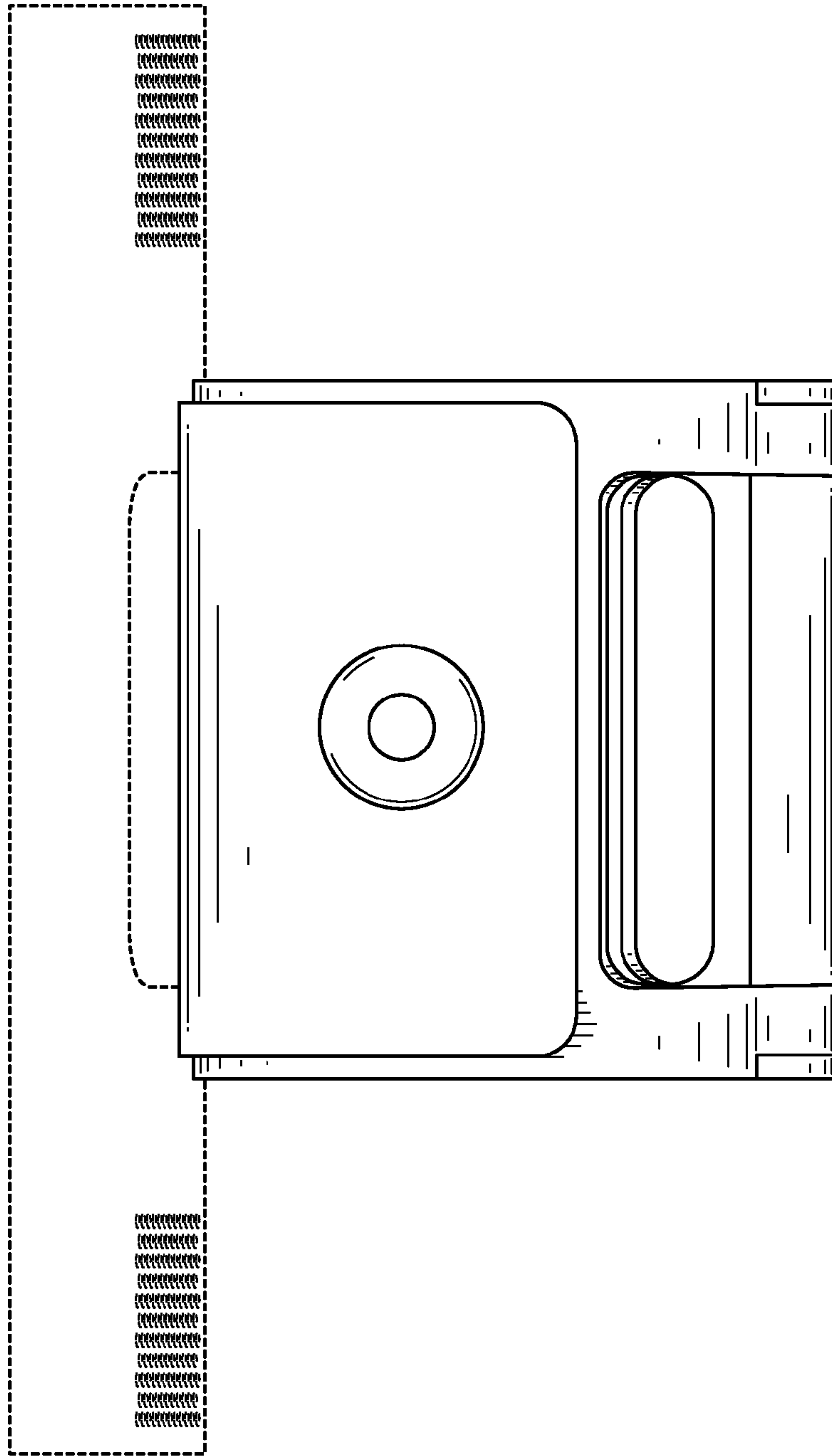


FIG. 7

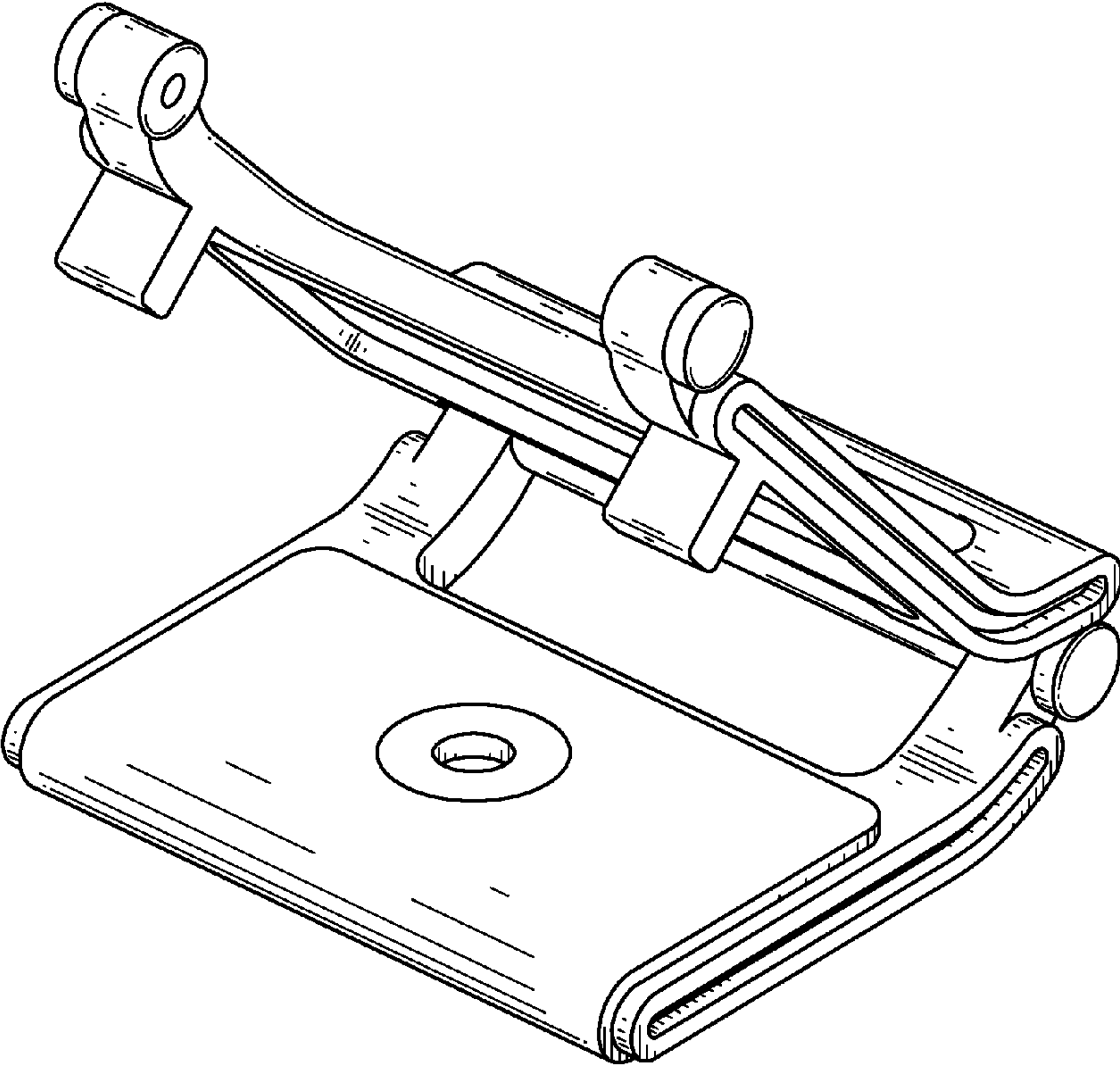


FIG. 8

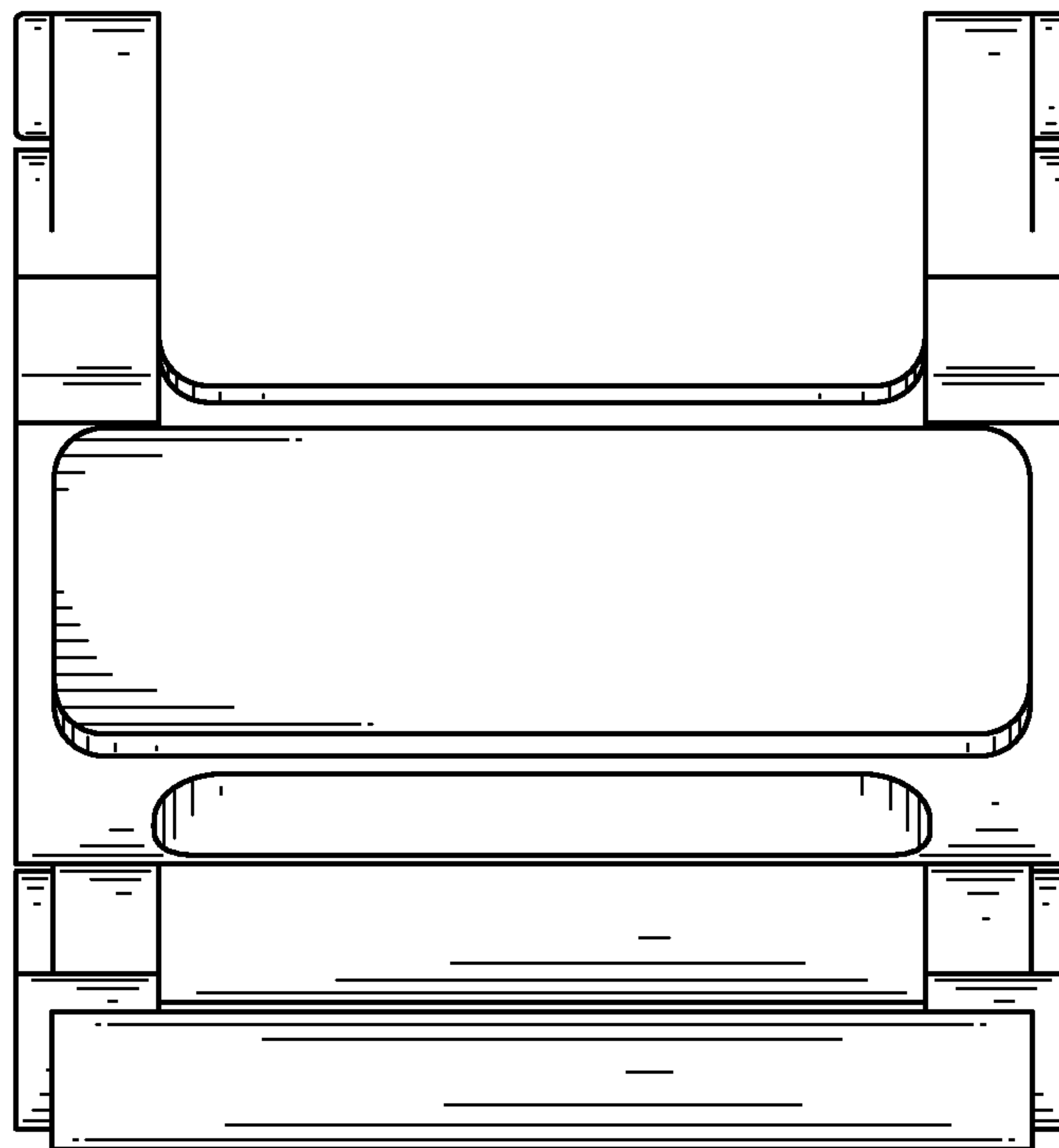


FIG. 9

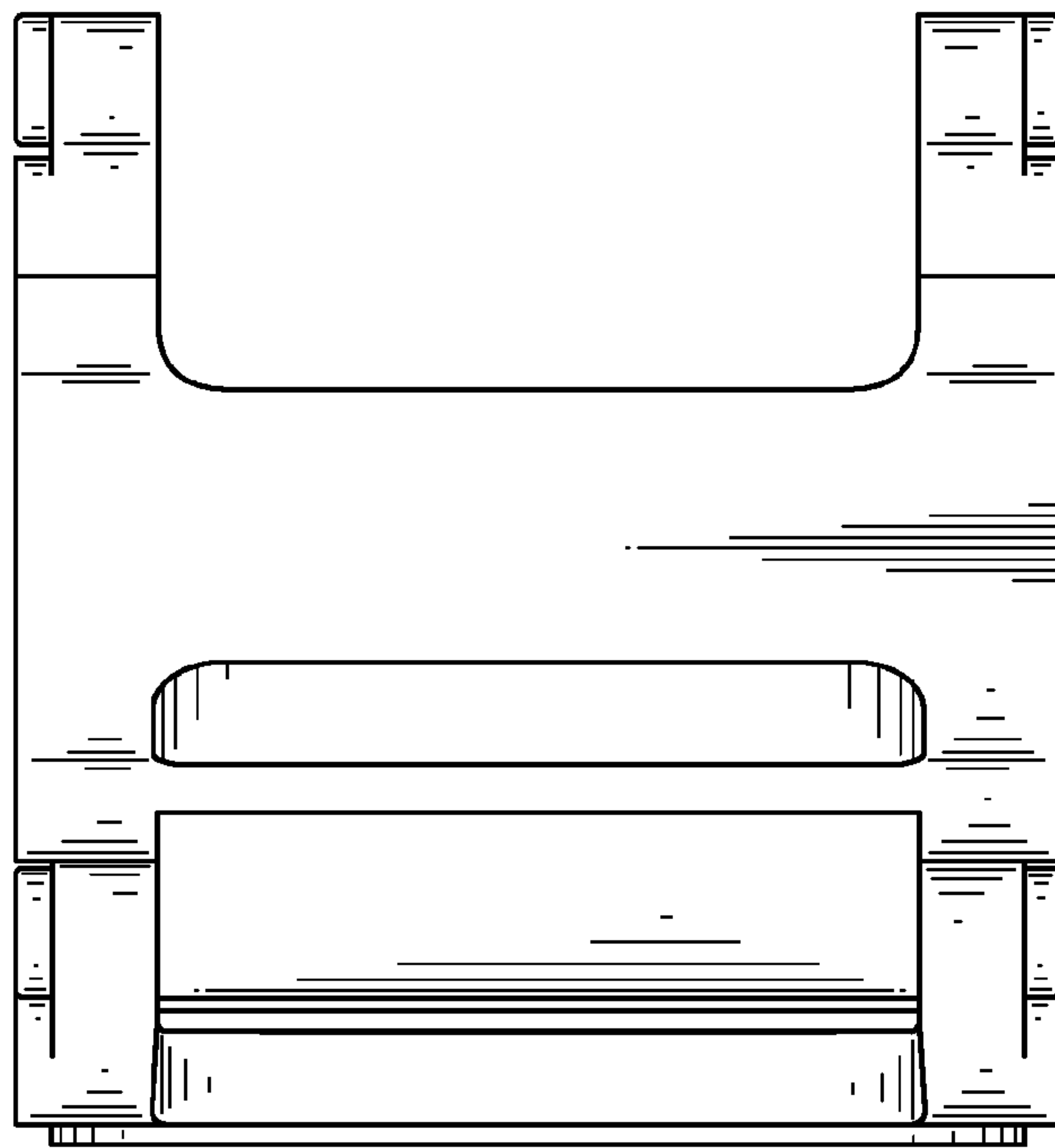


FIG. 10

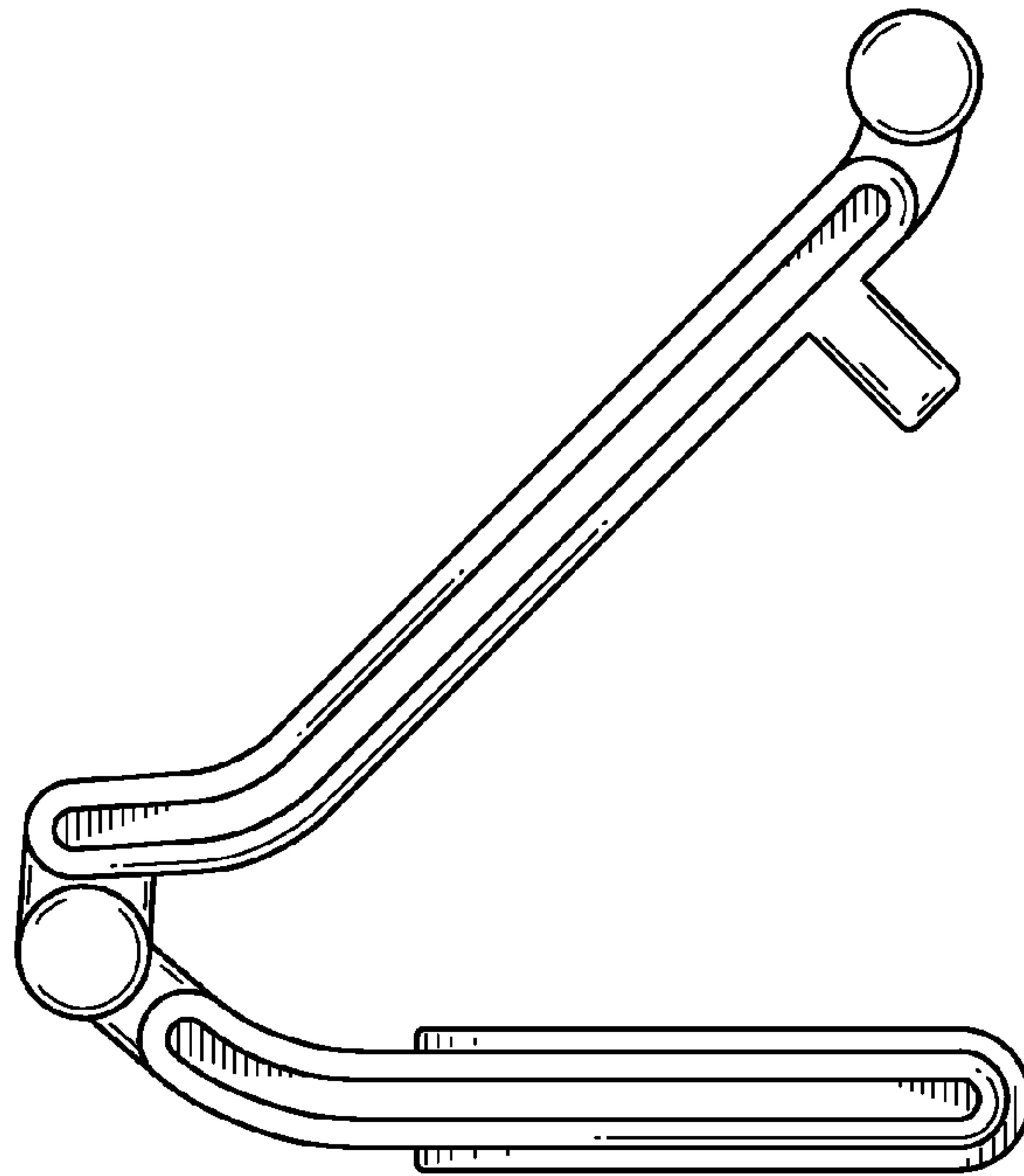


FIG. 11

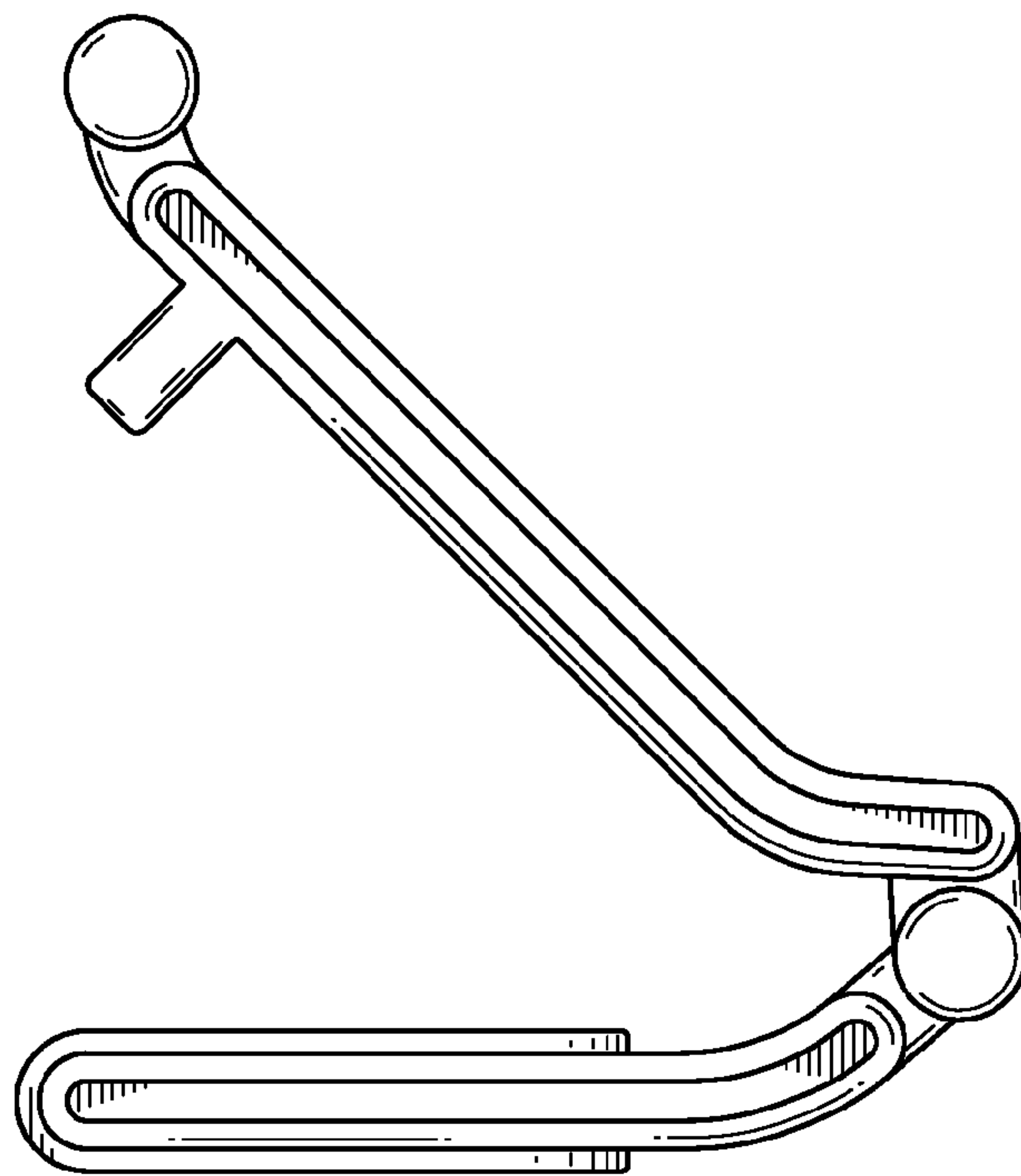


FIG. 12

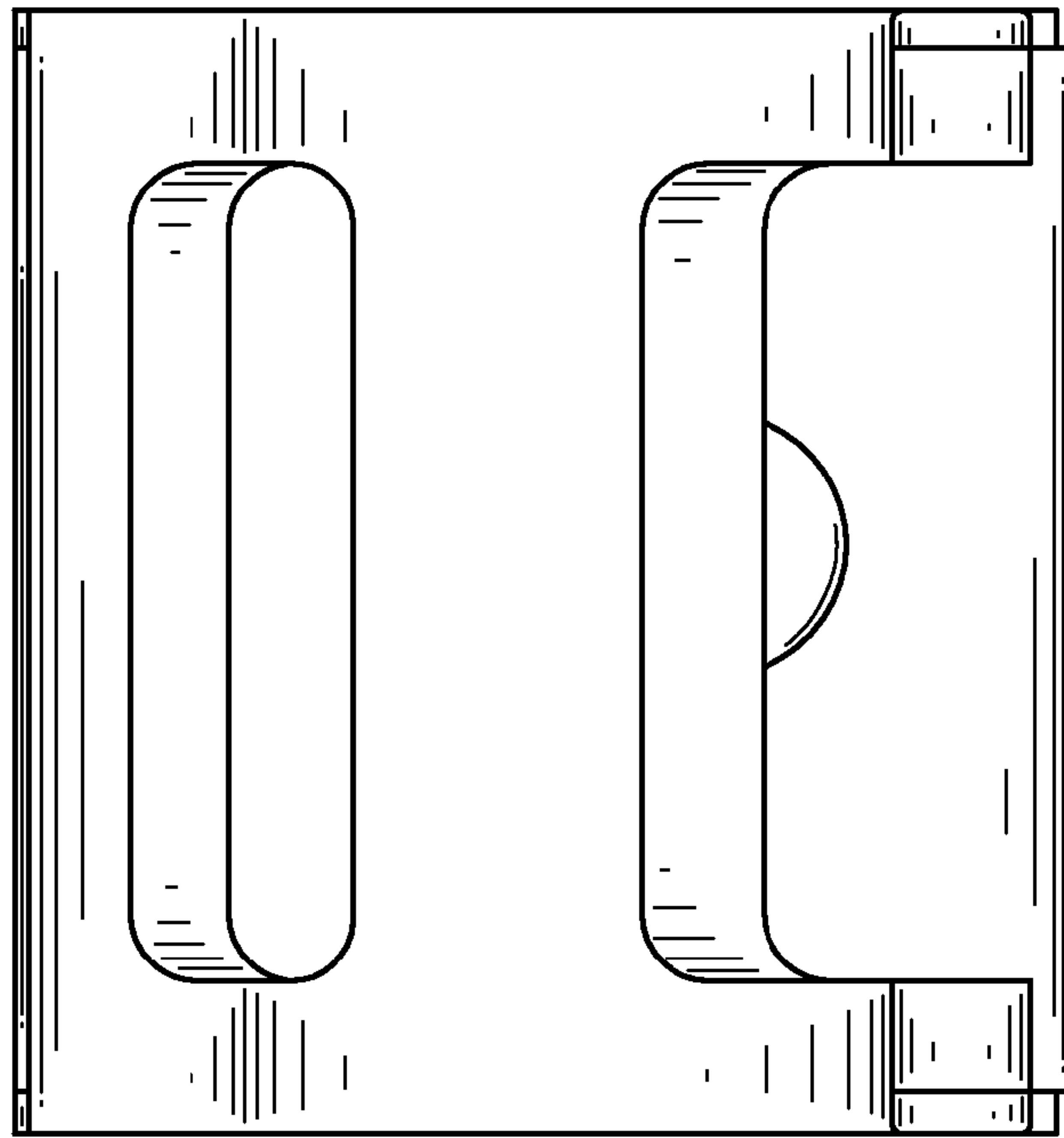


FIG. 13

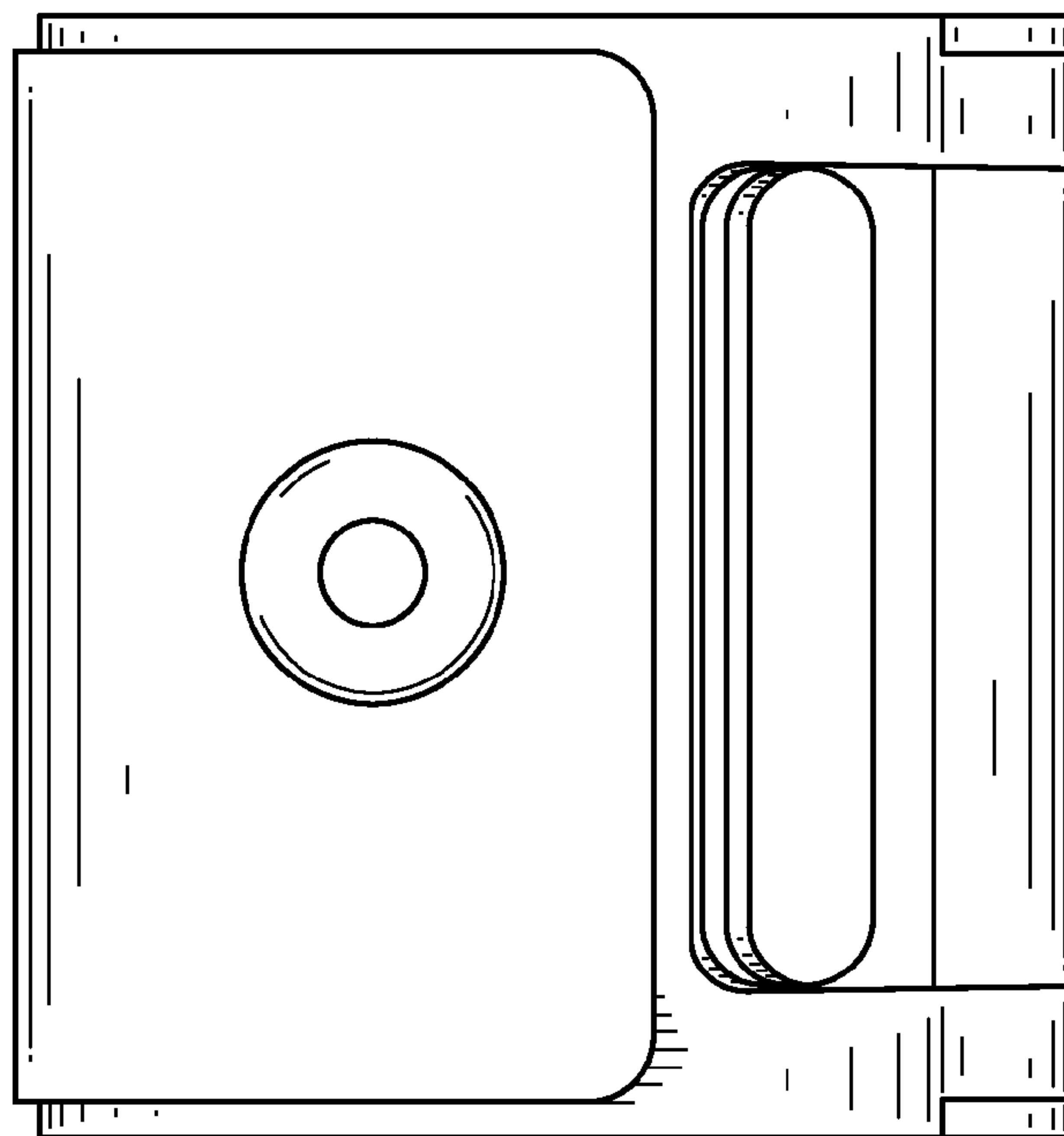


FIG. 14