



US00D688724S

(12) **United States Design Patent**
Tsukahara et al.

(10) **Patent No.:** **US D688,724 S**

(45) **Date of Patent:** **** Aug. 27, 2013**

(54) **PROJECTOR**

(75) Inventors: **Takashi Tsukahara**, Osaka (JP);
Sadayoshi Azuma, Kyoto (JP); **Keiji Yuyama**, Hyogo (JP); **Ippei Ohashi**, Osaka (JP); **Hiroshi Chino**, Osaka (JP); **So Suzuki**, Osaka (JP); **Takanori Kawasaki**, Tokyo (JP); **Daisuke Matsumoto**, Tokyo (JP)

(73) Assignee: **Panasonic Corporation**, Osaka (JP)

(**) Term: **14 Years**

(21) Appl. No.: **29/424,227**

(22) Filed: **Jun. 8, 2012**

(51) **LOC (9) Cl.** **16-02**

(52) **U.S. Cl.**
USPC **D16/225; D16/230**

(58) **Field of Classification Search**
USPC **D16/205, 221, 225, 230, 234; 353/115, 353/119, 122**
See application file for complete search history.

(56) **References Cited**

U.S. PATENT DOCUMENTS

6,886,948	B2 *	5/2005	Nakano	353/119
D545,340	S *	6/2007	Azuma	D16/230
D553,172	S *	10/2007	Azuma et al.	D16/230
D557,318	S *	12/2007	Nishimura et al.	D16/230
D588,620	S *	3/2009	Kawabe et al.	D16/225
D633,125	S *	2/2011	Han	D16/225
D637,641	S *	5/2011	Lim et al.	D16/225
D656,174	S *	3/2012	Ogawa et al.	D16/225
D667,480	S *	9/2012	Yamada et al.	D16/230

FOREIGN PATENT DOCUMENTS

JP	D1355903	4/2009
JP	D1356373	4/2009

* cited by examiner

Primary Examiner — Adir Aronovich

(74) *Attorney, Agent, or Firm* — Brinks Hofer Gilson & Lione

(57) **CLAIM**

We claim the ornamental design for a projector, as shown and described.

DESCRIPTION

FIG. 1 is a top perspective view of a projector of the present invention;
FIG. 2 is front elevational view thereof;
FIG. 3 is a rear elevation view thereof;
FIG. 4 is a left side elevation view thereof;
FIG. 5 is a right side elevation view thereof;
FIG. 6 is a top plan view thereof;
FIG. 7 is a bottom plan view thereof;
FIG. 8 is a cross-sectional view taken along the line 8-8 of FIG. 2 with the internal parts omitted; and,
FIG. 9 is a cross-sectional view taken along the line 9-9 of FIG. 2 with the internal parts omitted.
The broken lines shown in the drawings are for illustrative purposes only and form no part of the claimed design. Additionally, the uneven dash-dot broken lines which define the bounds of the claimed design form no part thereof.

1 Claim, 6 Drawing Sheets

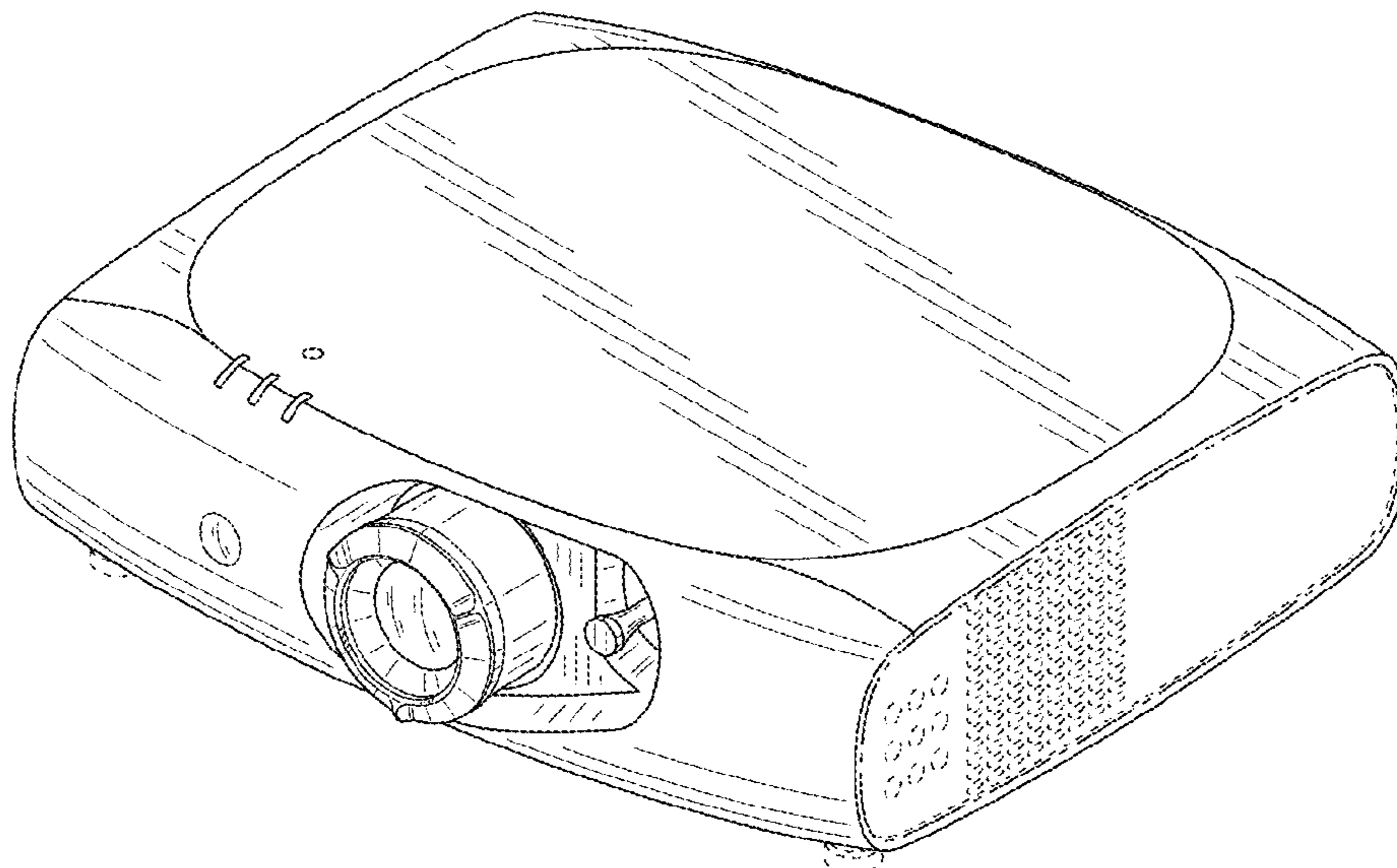


FIG. 1

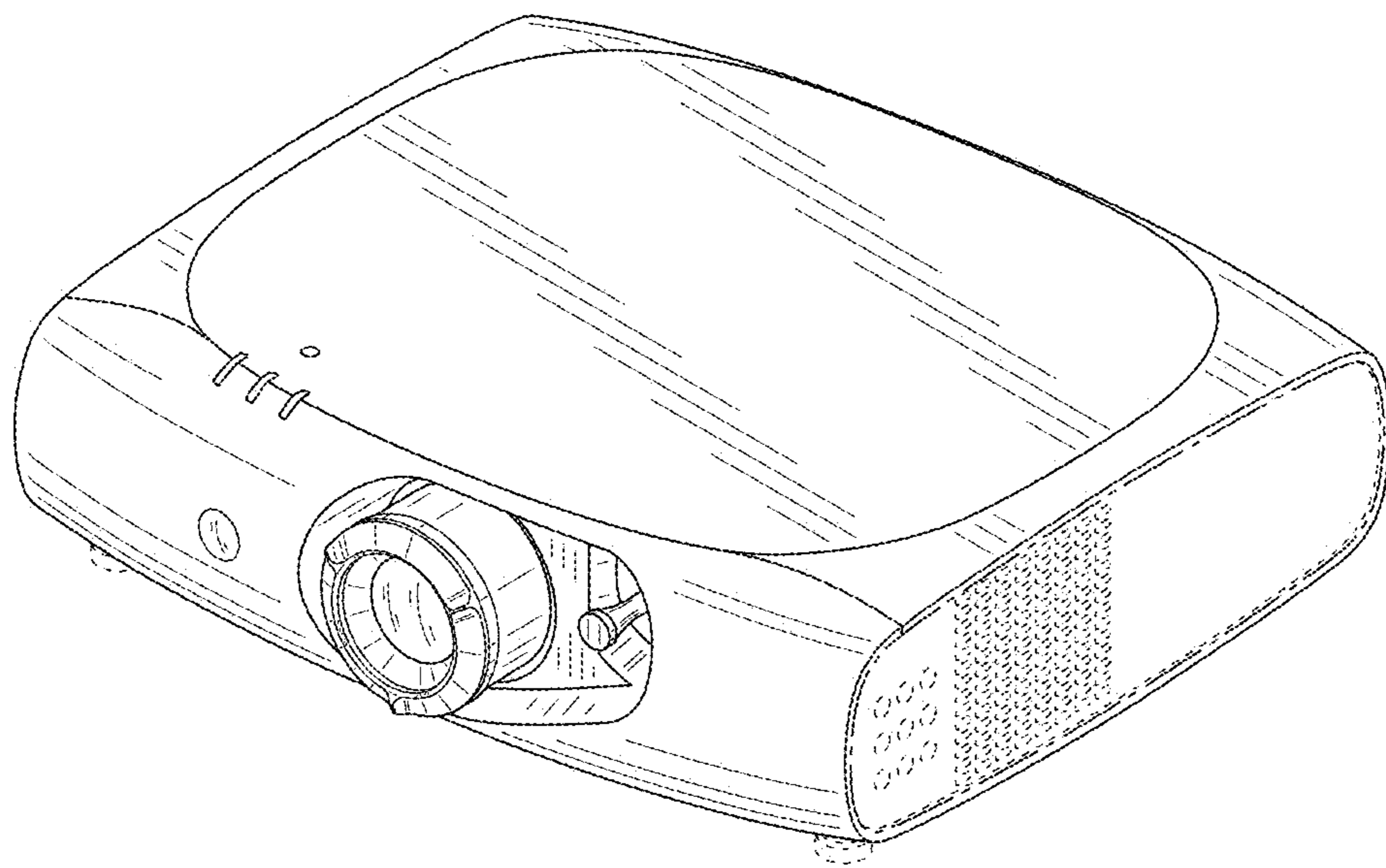


FIG.2

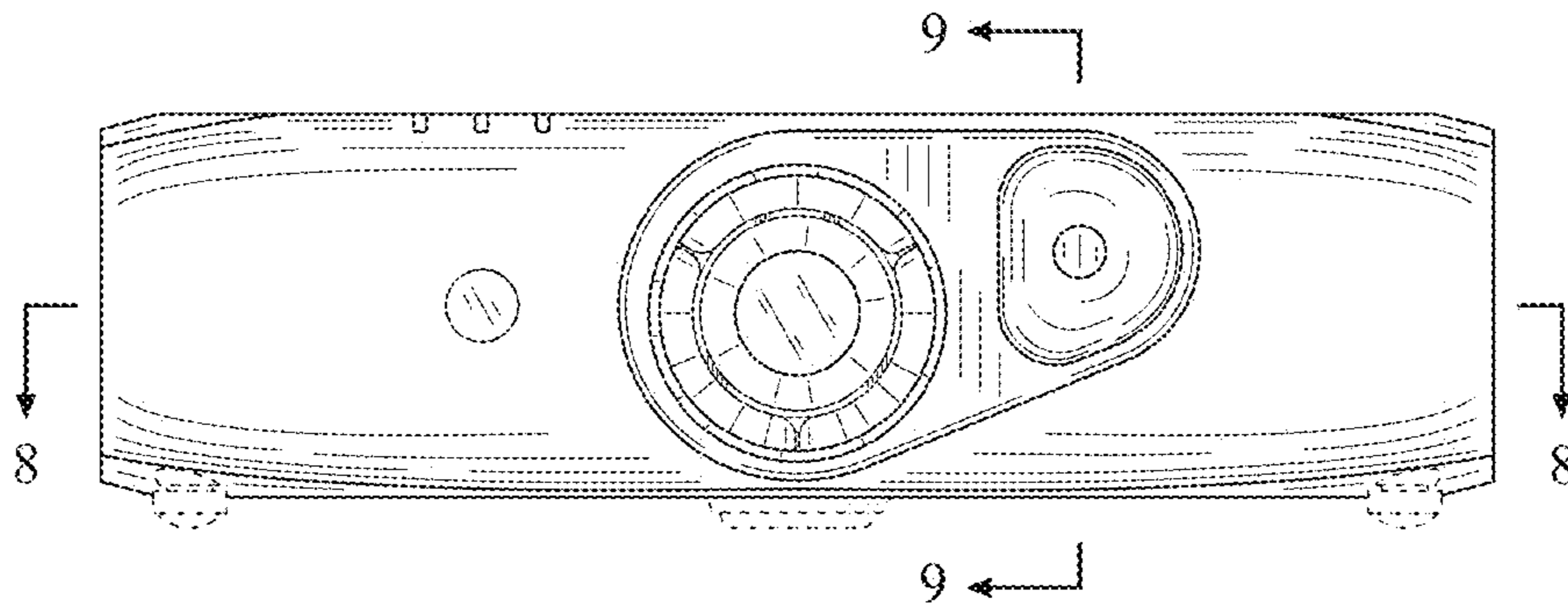


FIG.3

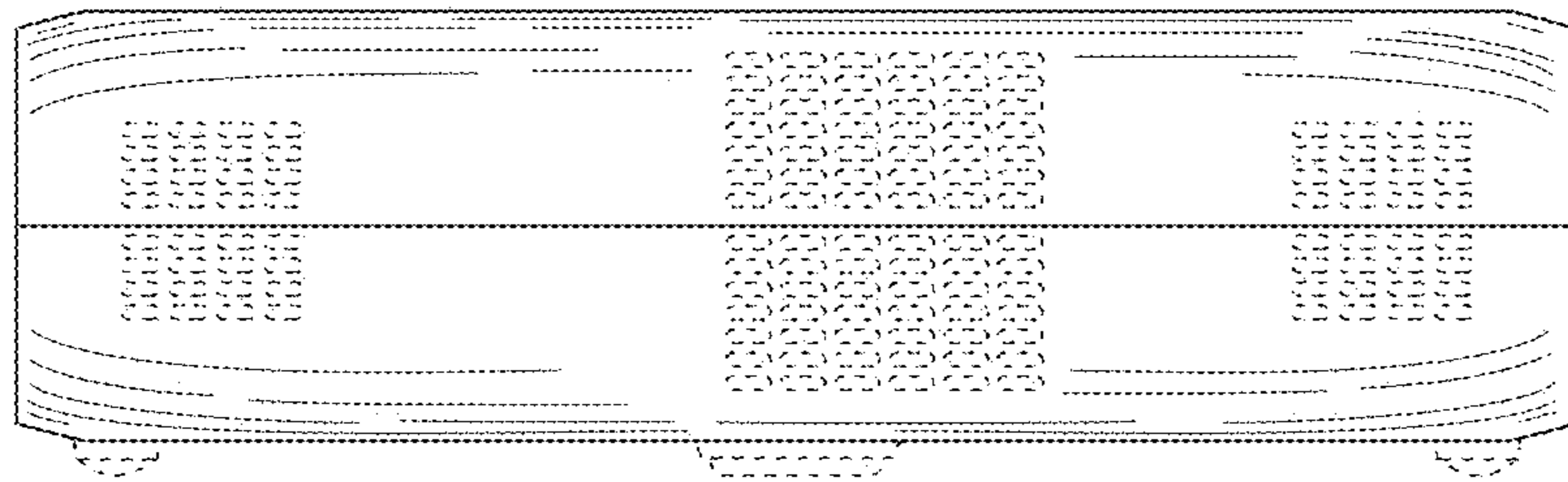


FIG.4

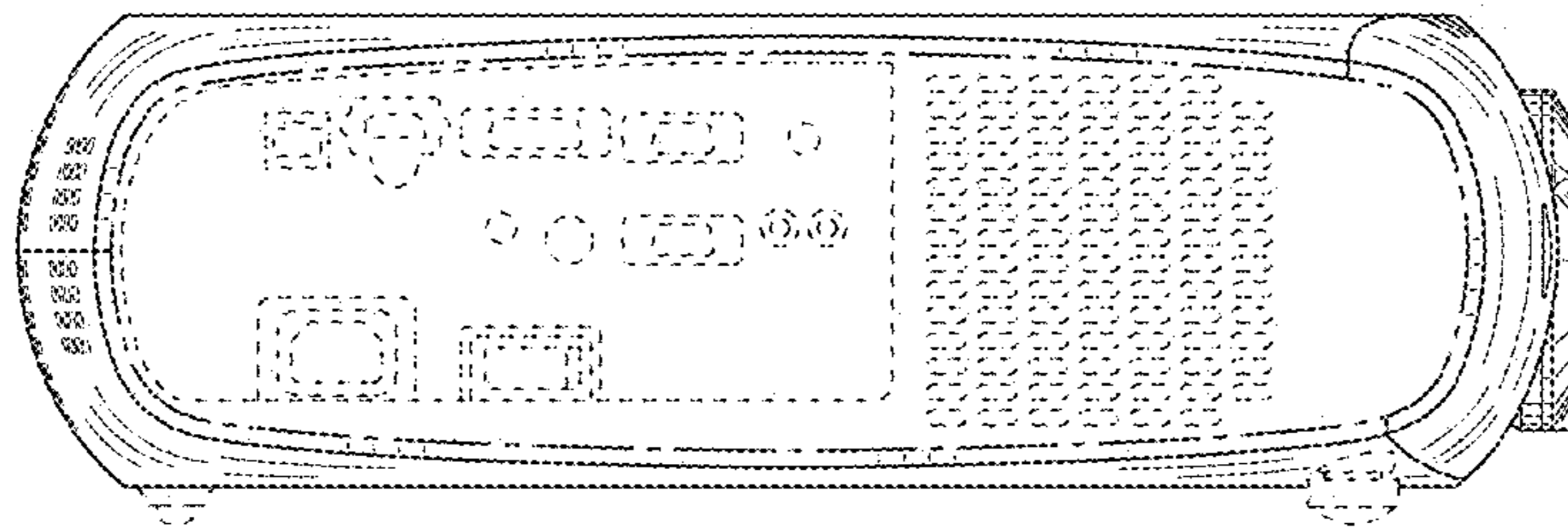


FIG.5

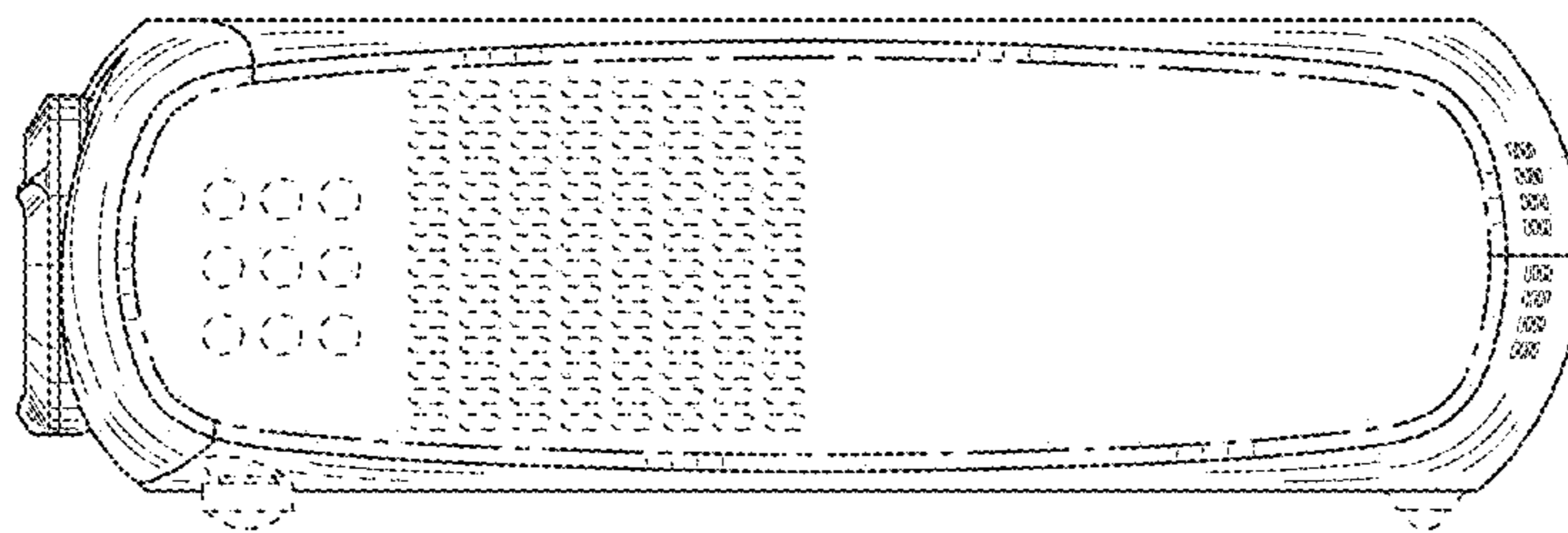


FIG.6

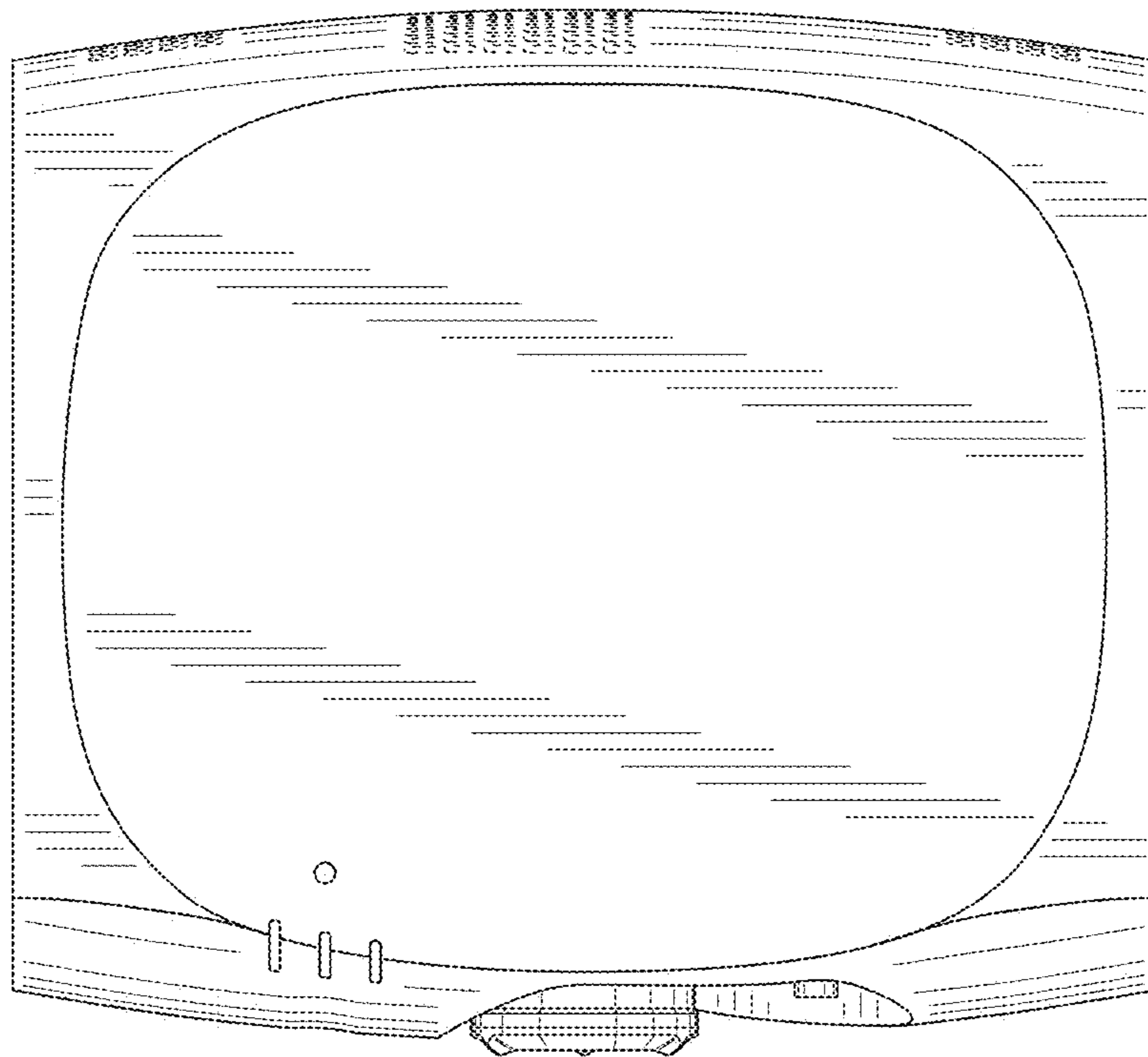


FIG. 7

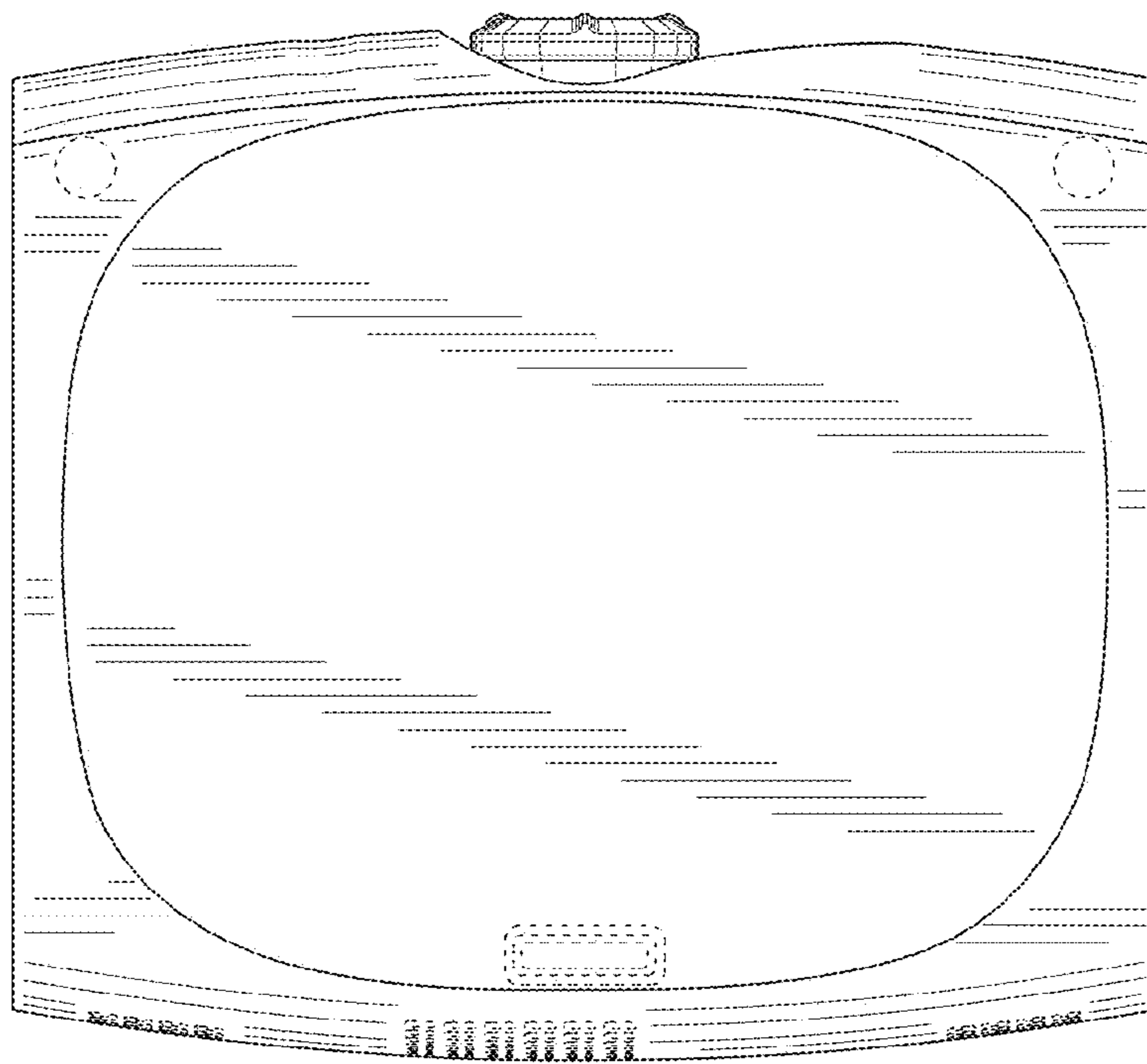


FIG.8

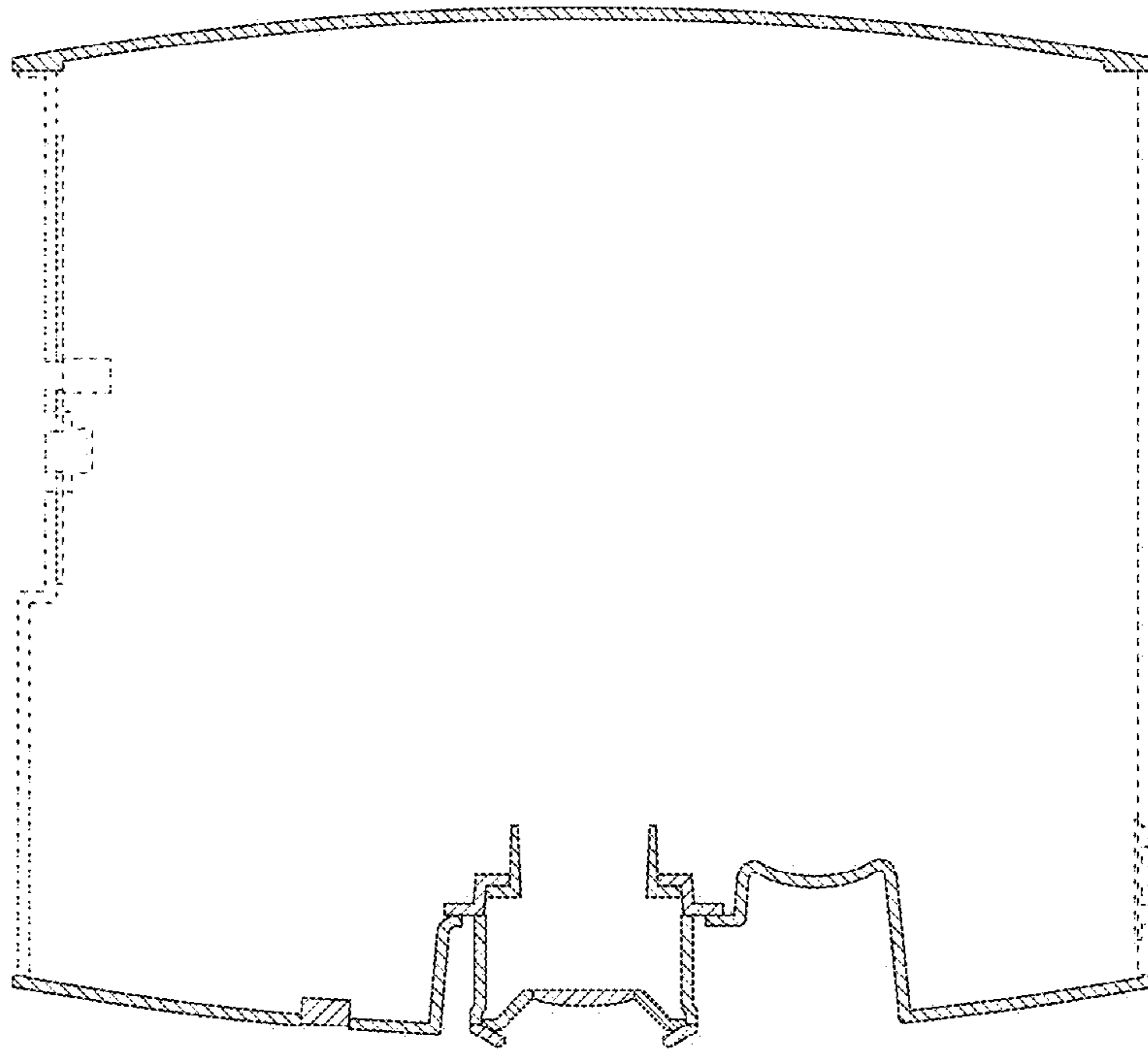


FIG.9

