



US00D688723S

(12) **United States Design Patent**  
**Lauer**

(10) **Patent No.:** **US D688,723 S**

(45) **Date of Patent:** **\*\* Aug. 27, 2013**

(54) **PICO PROJECTOR WITH POP-UP CONNECTOR**

(75) Inventor: **William Lauer**, Boise, ID (US)

(73) Assignee: **Citizen Finetech Miyota Co., Ltd.**, Nagano (JP)

(\*\*) Term: **14 Years**

(21) Appl. No.: **29/416,466**

(22) Filed: **Mar. 22, 2012**

(51) **LOC (9) Cl.** ..... **16-02**

(52) **U.S. Cl.**  
USPC ..... **D16/225**; D16/230

(58) **Field of Classification Search**  
USPC ..... D16/205, 208, 211–213, 221, 224–225,  
D16/229–231, 234–235; D21/514; 353/115,  
353/119, 122; 439/131, 142, 620.21; D13/120,  
D13/133

See application file for complete search history.

(56) **References Cited**

**U.S. PATENT DOCUMENTS**

3,967,401 A \* 7/1976 Numbers ..... 40/362  
D245,701 S \* 9/1977 Kinsinger ..... D16/221  
5,745,345 A \* 4/1998 Deguchi ..... 439/131  
6,712,475 B2 \* 3/2004 Davis et al. .... 353/119

(Continued)

**FOREIGN PATENT DOCUMENTS**

CN 2932435 Y 8/2007

**OTHER PUBLICATIONS**

Pop Video Pico Projector—Turns iPhone Into Pico Projector. Techiser, Copyright © 2009-2010 [Retrieved on Dec. 20, 2012]. Retrieved from the Internet: <http://www.techiser.com/pop-video-pico-projector-turns-iphone-pico-projector-148826.html>>.\*

*Primary Examiner* — Wan Laymon

(57) **CLAIM**

The ornamental design for a pico projector with a pop-up connector, as shown and described.

**DESCRIPTION**

FIG. 1 is a front isometric view of the projector with the pop-up connector in an operational configuration.

FIG. 2 is a top view of the projector with the pop-up connector in the operational configuration.

FIG. 3 is a bottom view of the projector with the pop-up connector in the operational configuration.

FIG. 4 is a left side view of the projector with the pop-up connector in the operational configuration.

FIG. 5 is a right side view of the projector with the pop-up connector in the operational configuration.

FIG. 6 is a first end view of the projector with the pop-up connector in the operational configuration.

FIG. 7 is a second end view of the projector with the pop-up connector in the operational configuration.

FIG. 8 is a front isometric view of the projector with the pop-up connector in a non-operational configuration.

FIG. 9 is a top view of the projector with the pop-up connector in the non-operational configuration.

FIG. 10 is a bottom view of the projector with the pop-up connector in the non-operational configuration.

FIG. 11 is a left side view of the projector with the pop-up connector in the non-operational configuration.

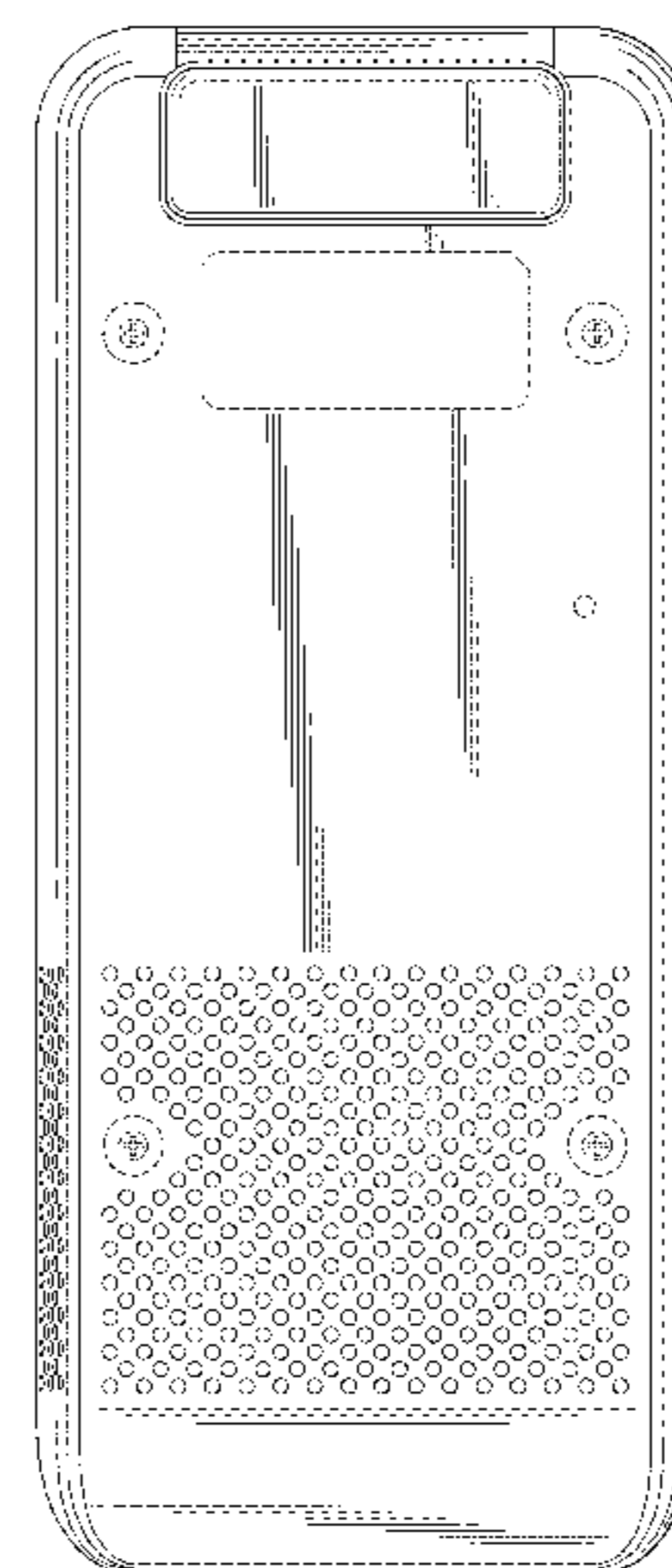
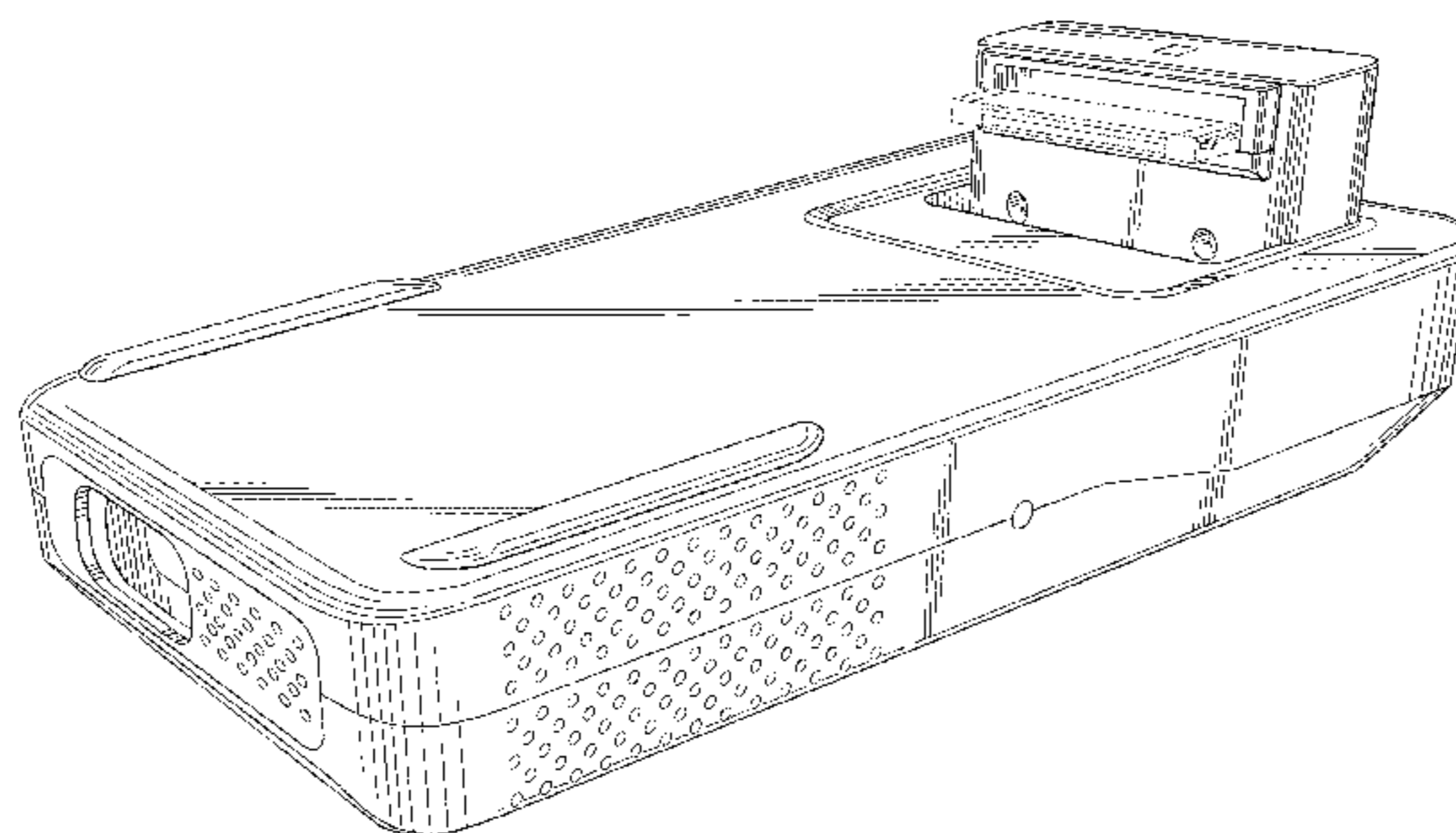
FIG. 12 is a right side view of the projector with the pop-up connector in the non-operational configuration.

FIG. 13 is a first end view of the projector with the pop-up connector in the non-operational configuration; and,

FIG. 14 is a second end view of the projector with the pop-up connector in the non-operational configuration.

The broken lines immediately adjacent to the claimed areas represent the bounds of the claimed design while all other broken lines showing fasteners and a male connector configured for electrically connecting the projector to a cell phone or portable media device represent environment and are for illustrative purposes only; the broken lines form no part of the claimed design.

**1 Claim, 10 Drawing Sheets**



# US D688,723 S

Page 2

---

(56)

## References Cited

### U.S. PATENT DOCUMENTS

D489,747 S \* 5/2004 Safran et al. .... D16/230  
D499,753 S \* 12/2004 Shigemura et al. .... D16/230  
6,854,989 B2 2/2005 Milan  
D598,944 S \* 8/2009 Collet et al. .... D16/221

D632,326 S \* 2/2011 Hou ..... D16/229  
8,323,040 B2 \* 12/2012 Prest ..... 439/131  
2010/0062615 A1 3/2010 Prest  
2010/0073644 A1 \* 3/2010 Ritz ..... 353/119  
2011/0128511 A1 \* 6/2011 Ko et al. .... 353/119

\* cited by examiner

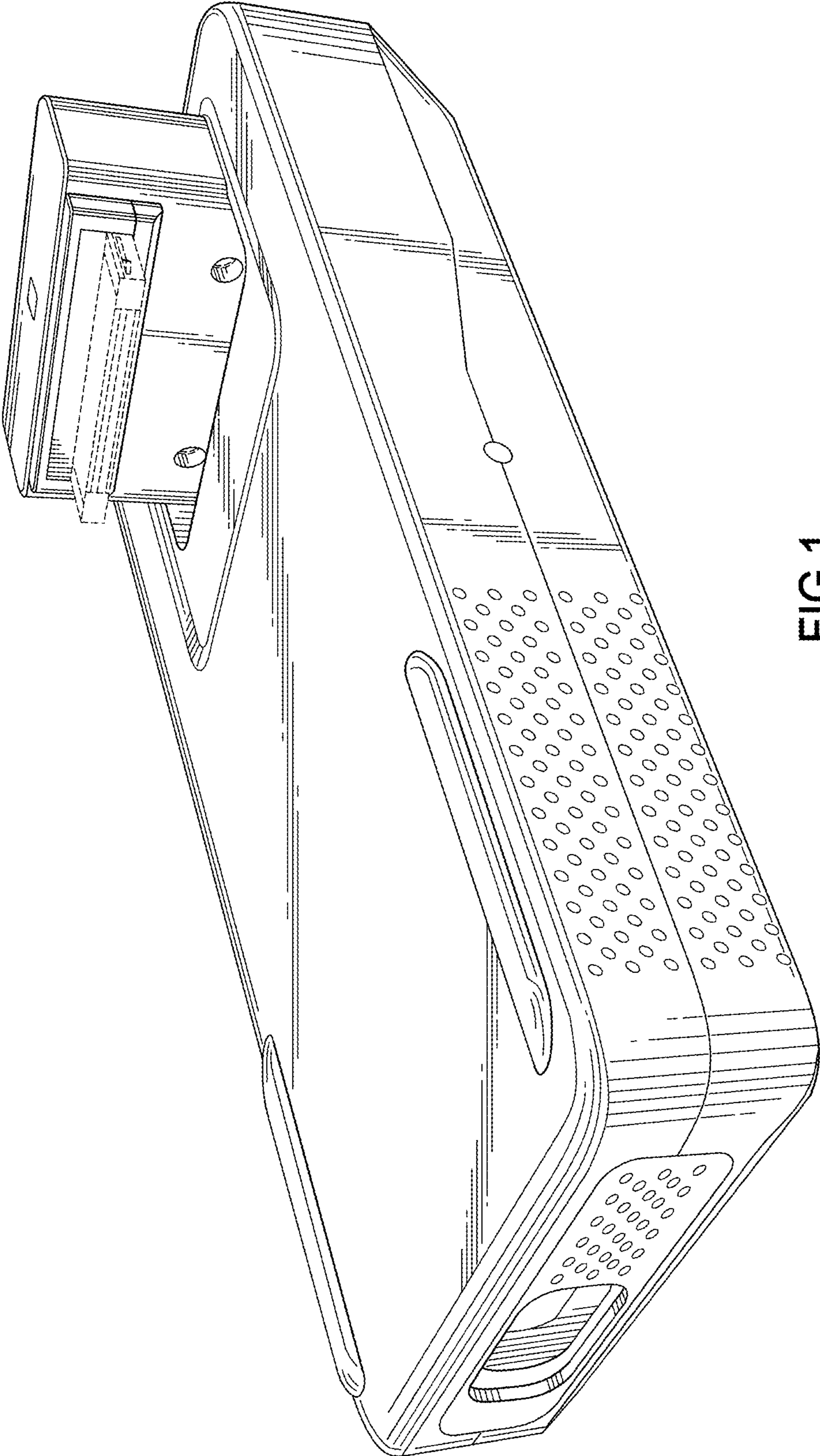


FIG.1

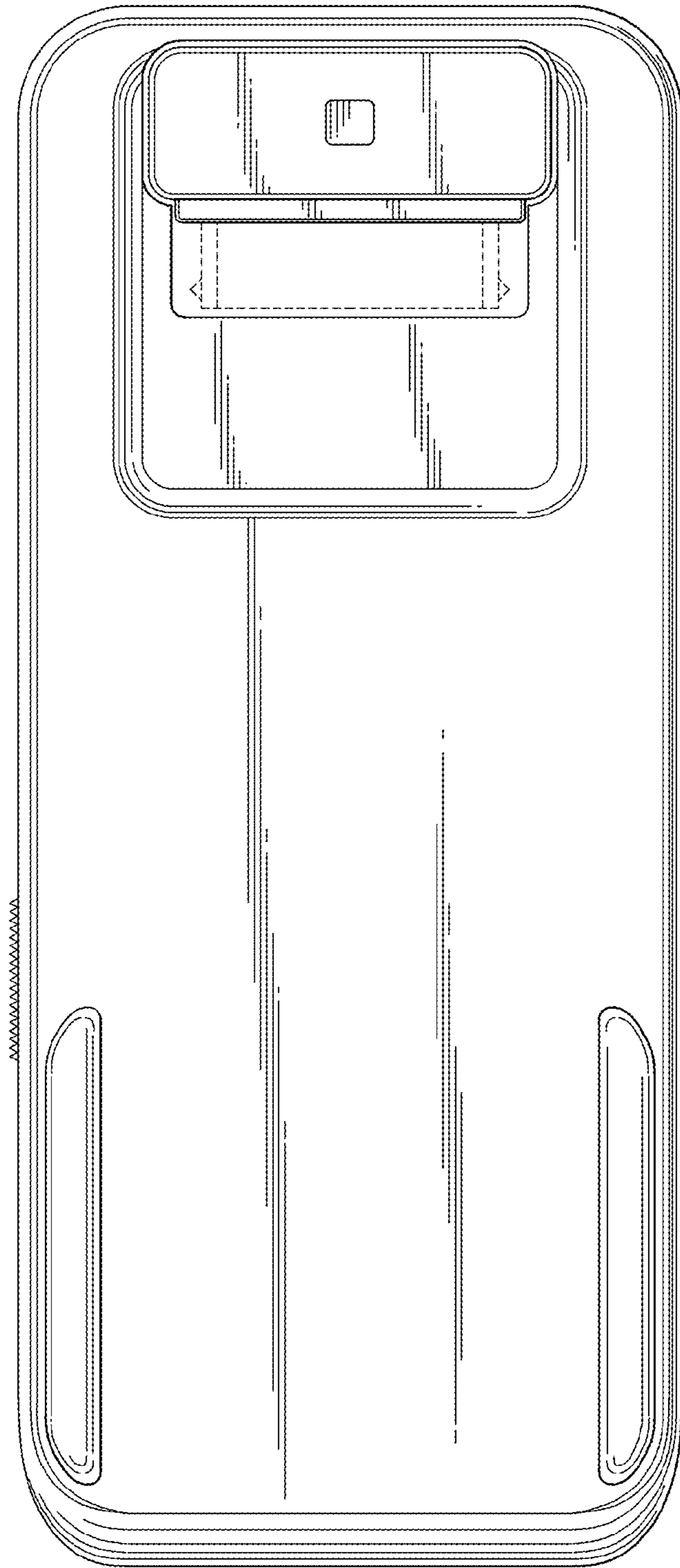


FIG.2

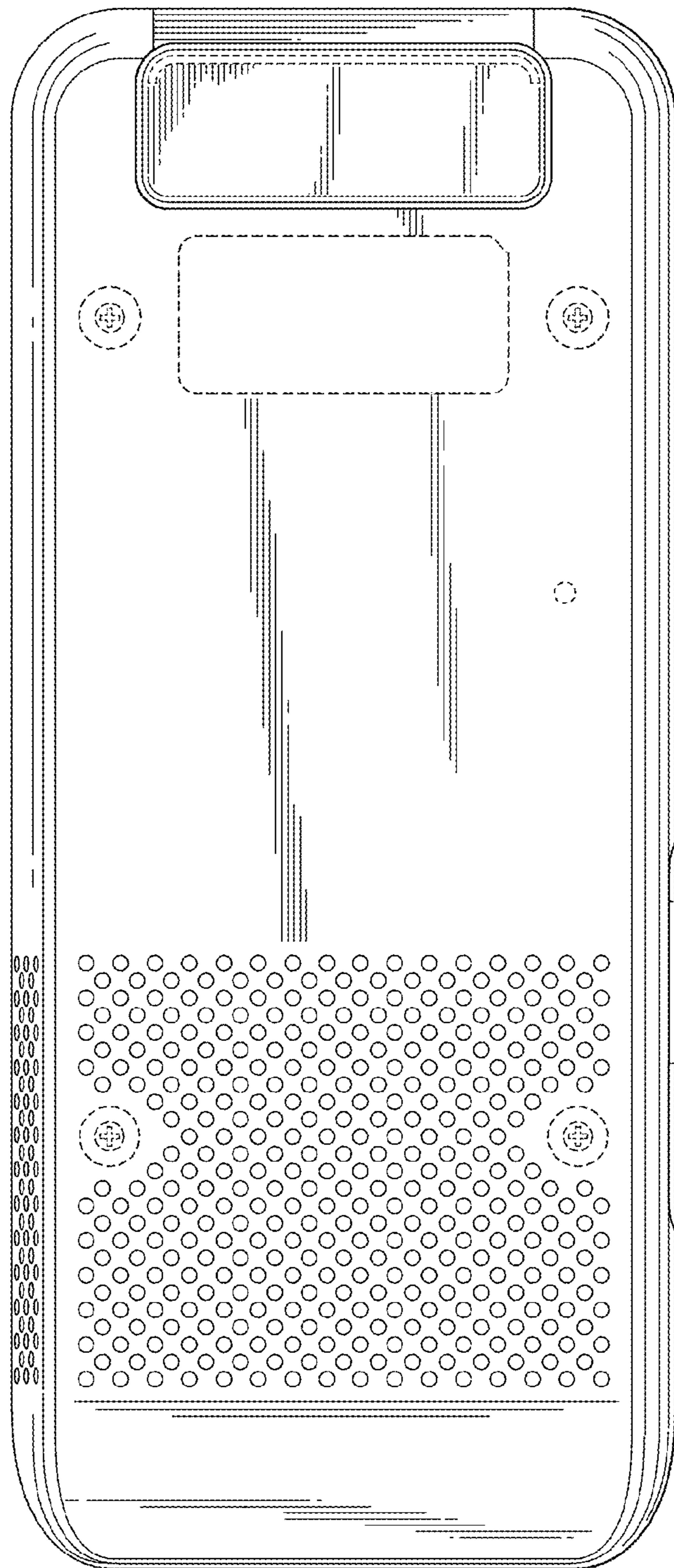


FIG.3

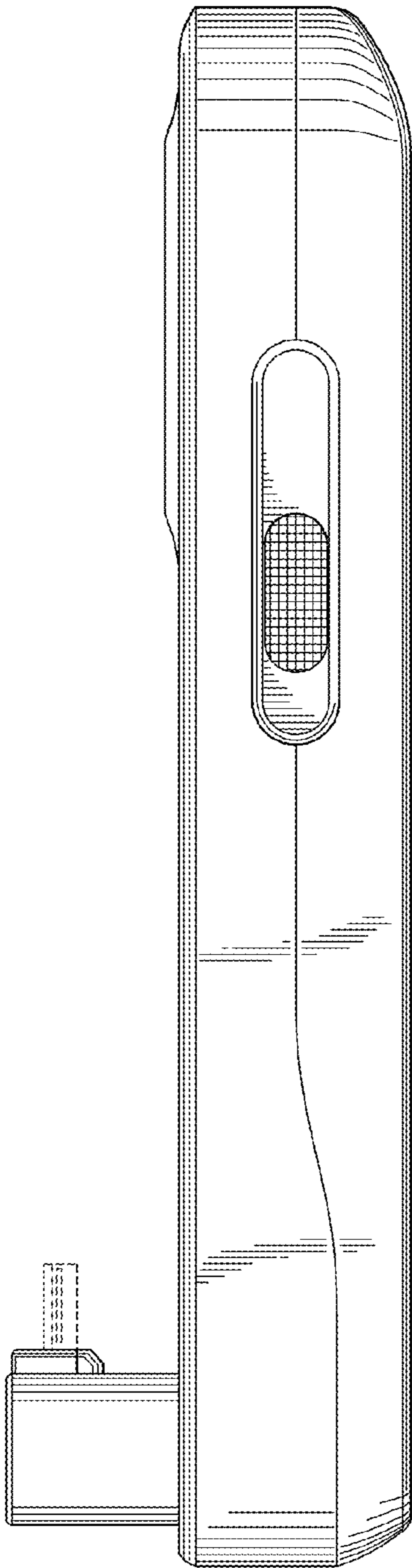


FIG. 4

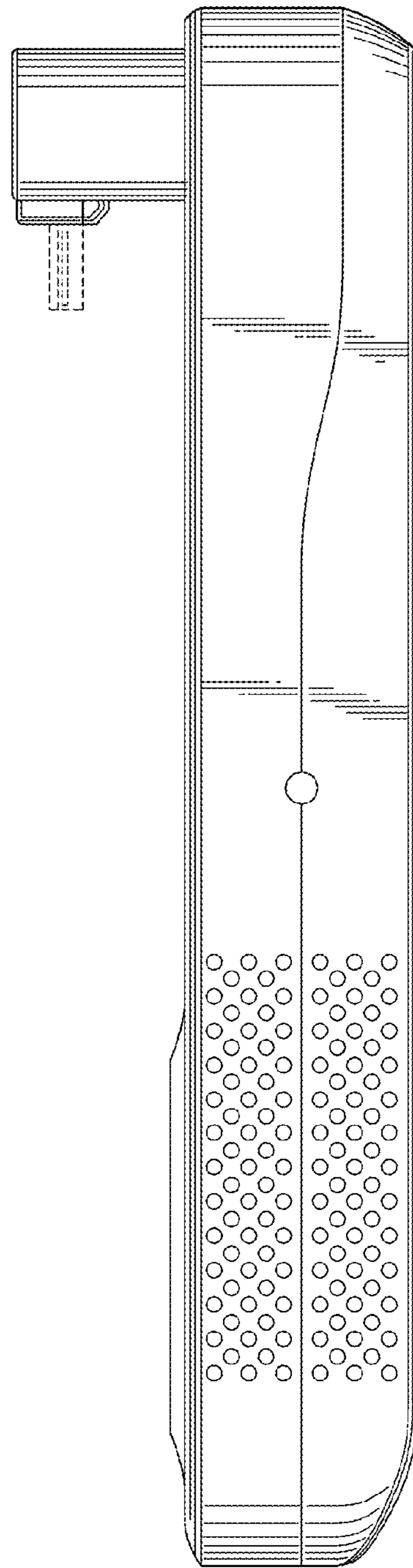


FIG. 5

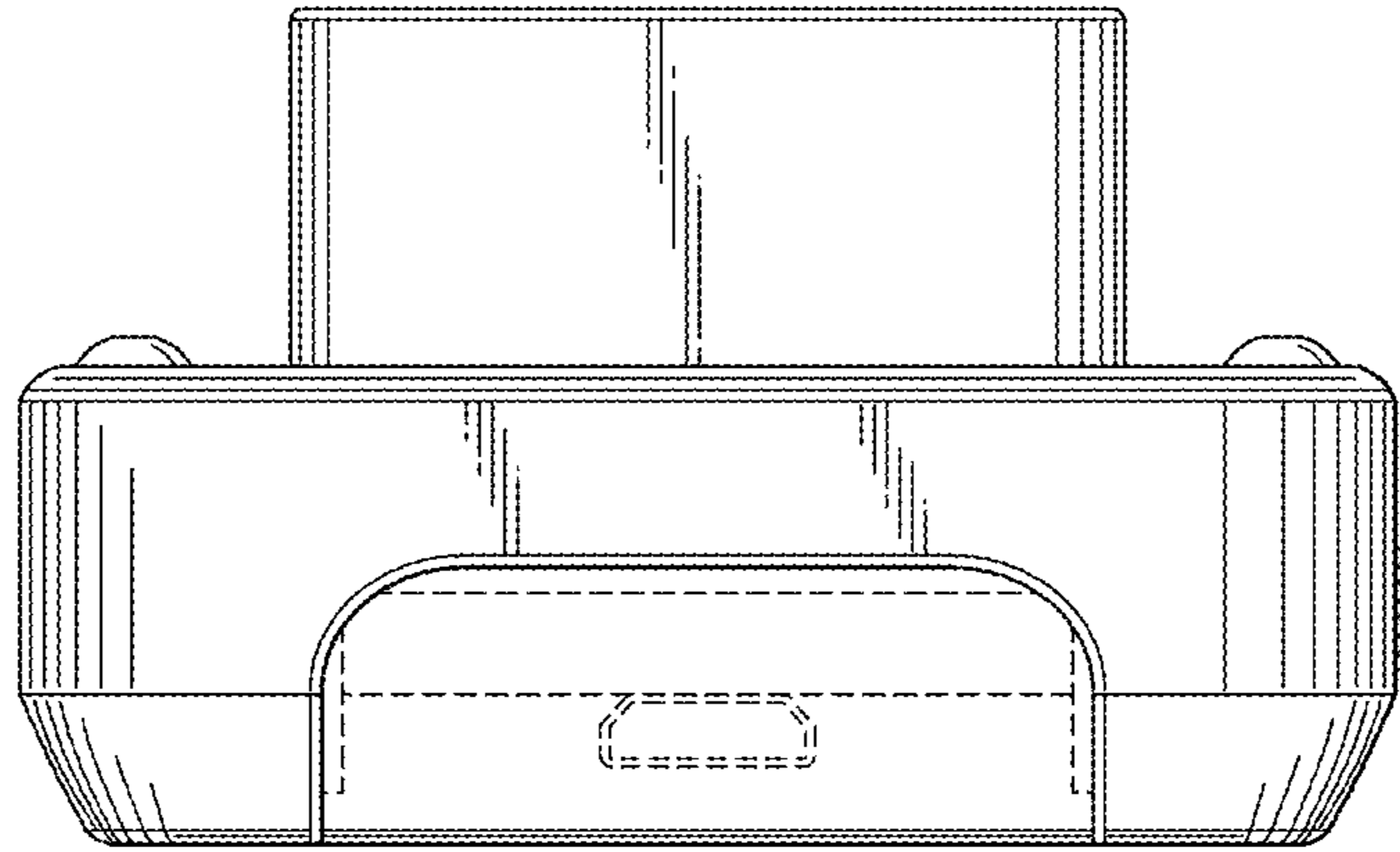


FIG. 6

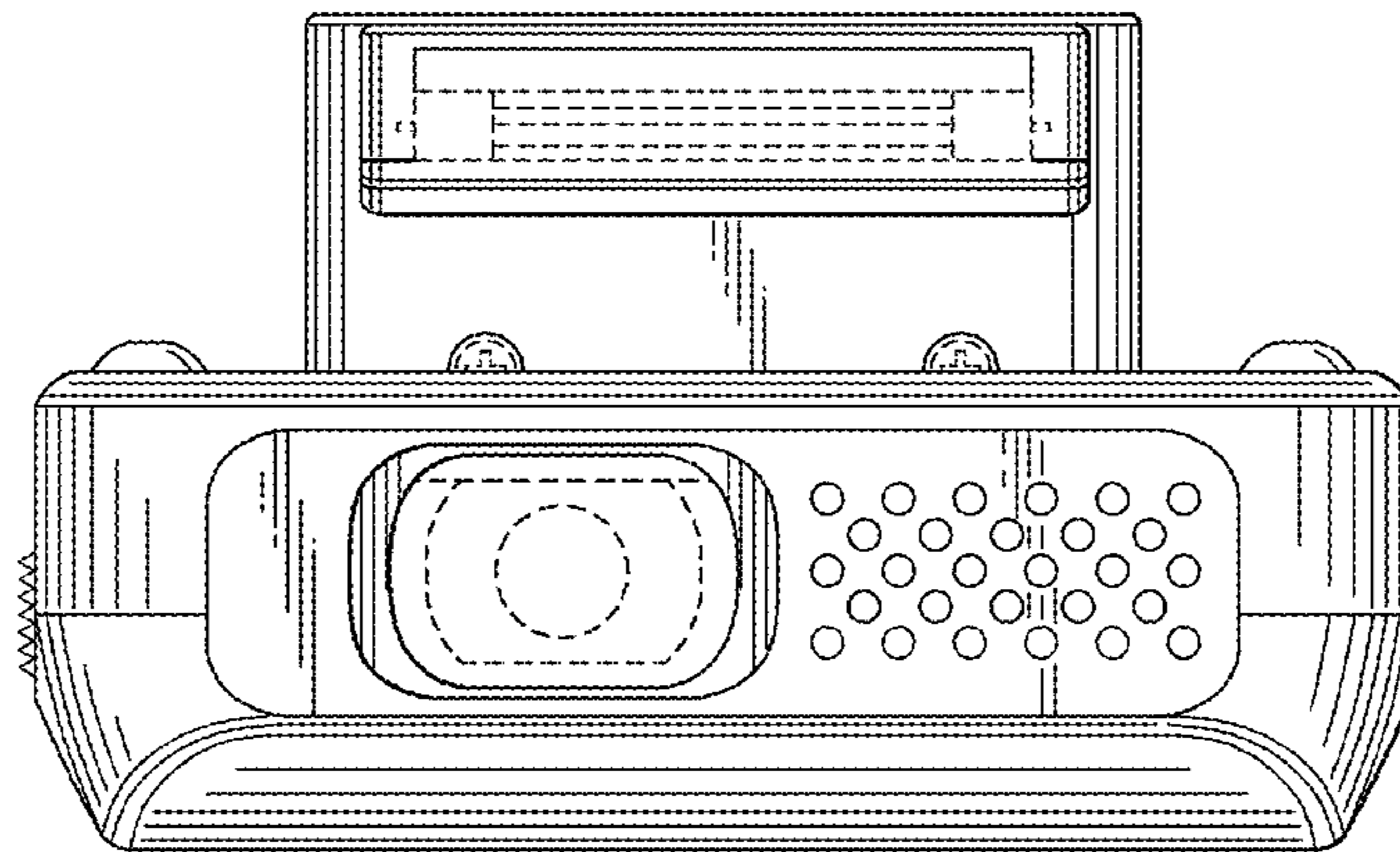


FIG. 7

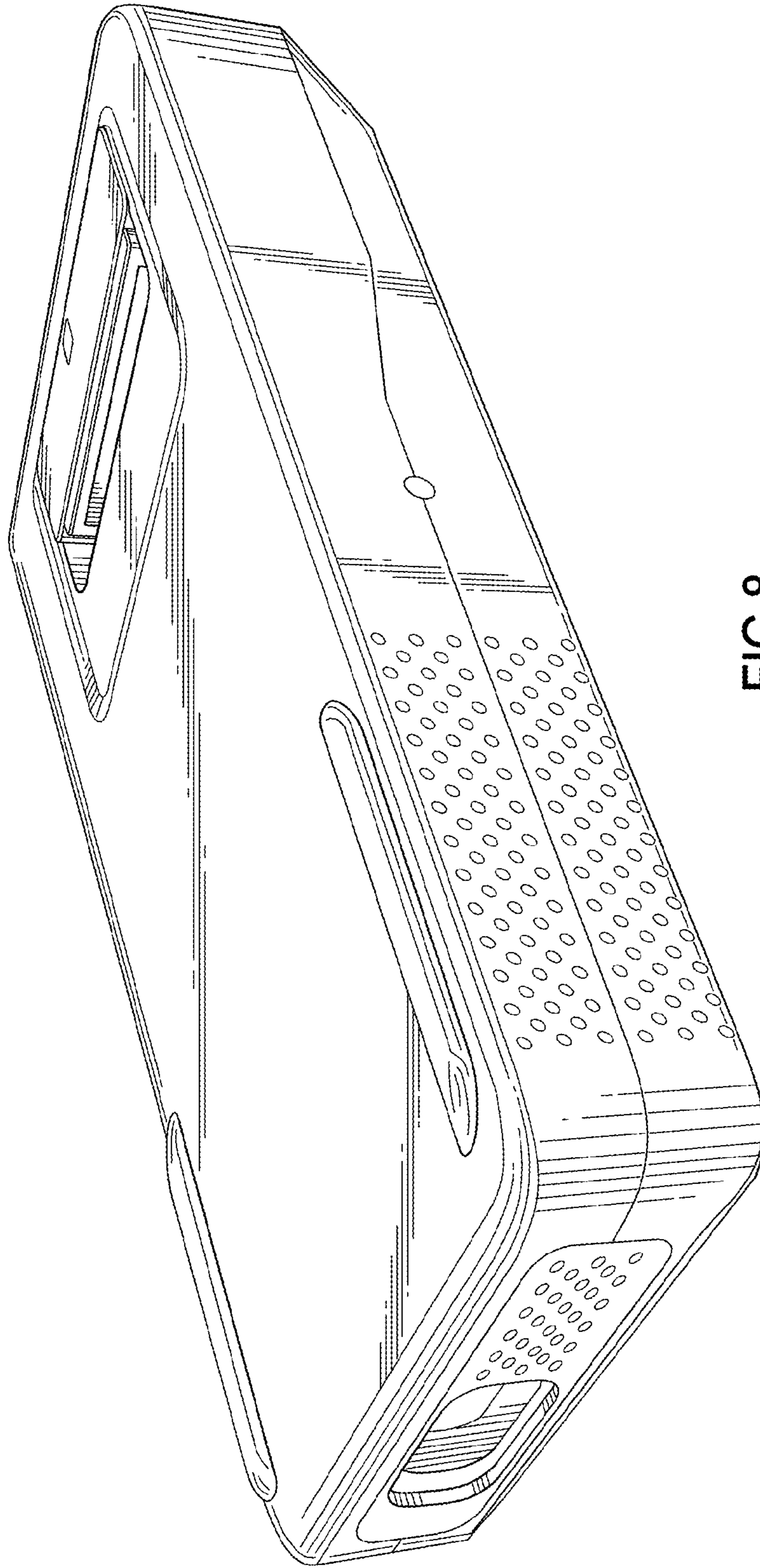


FIG.8



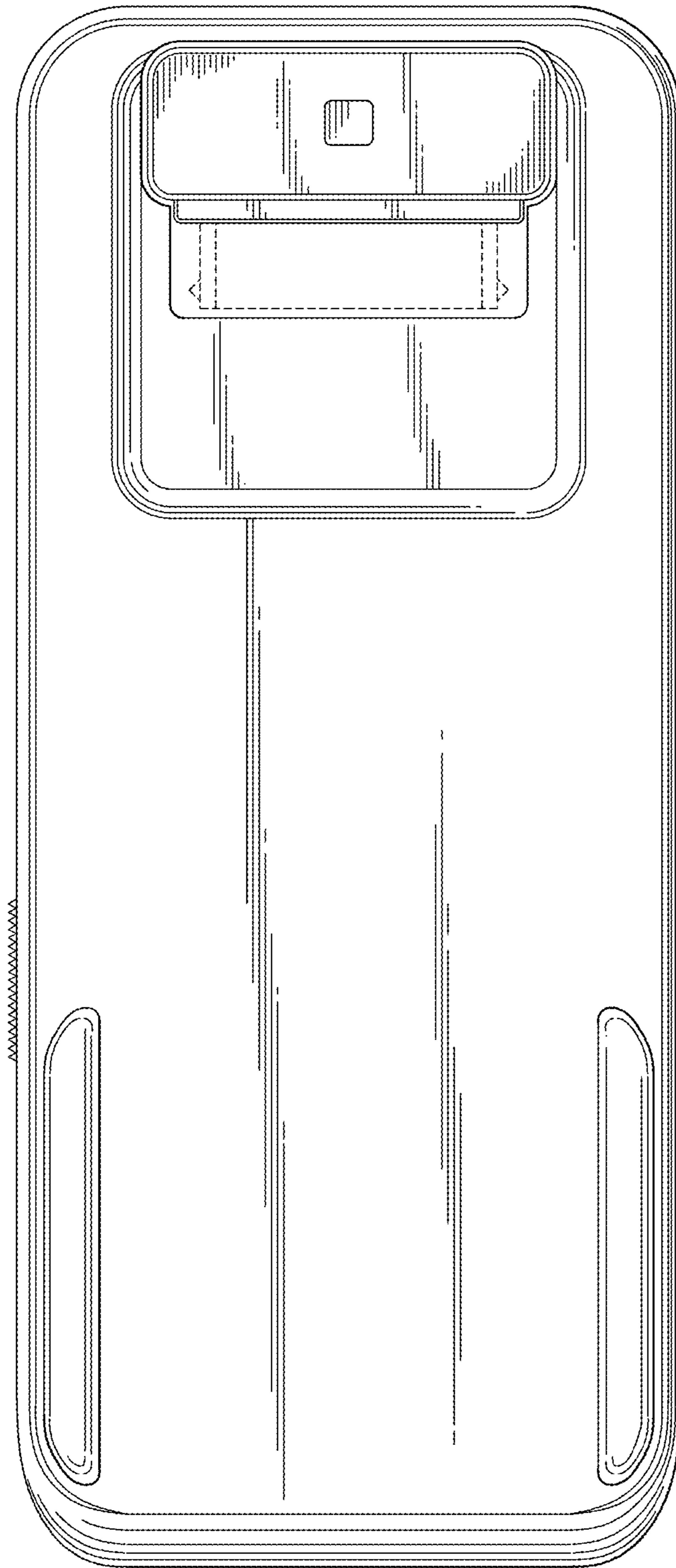


FIG.9

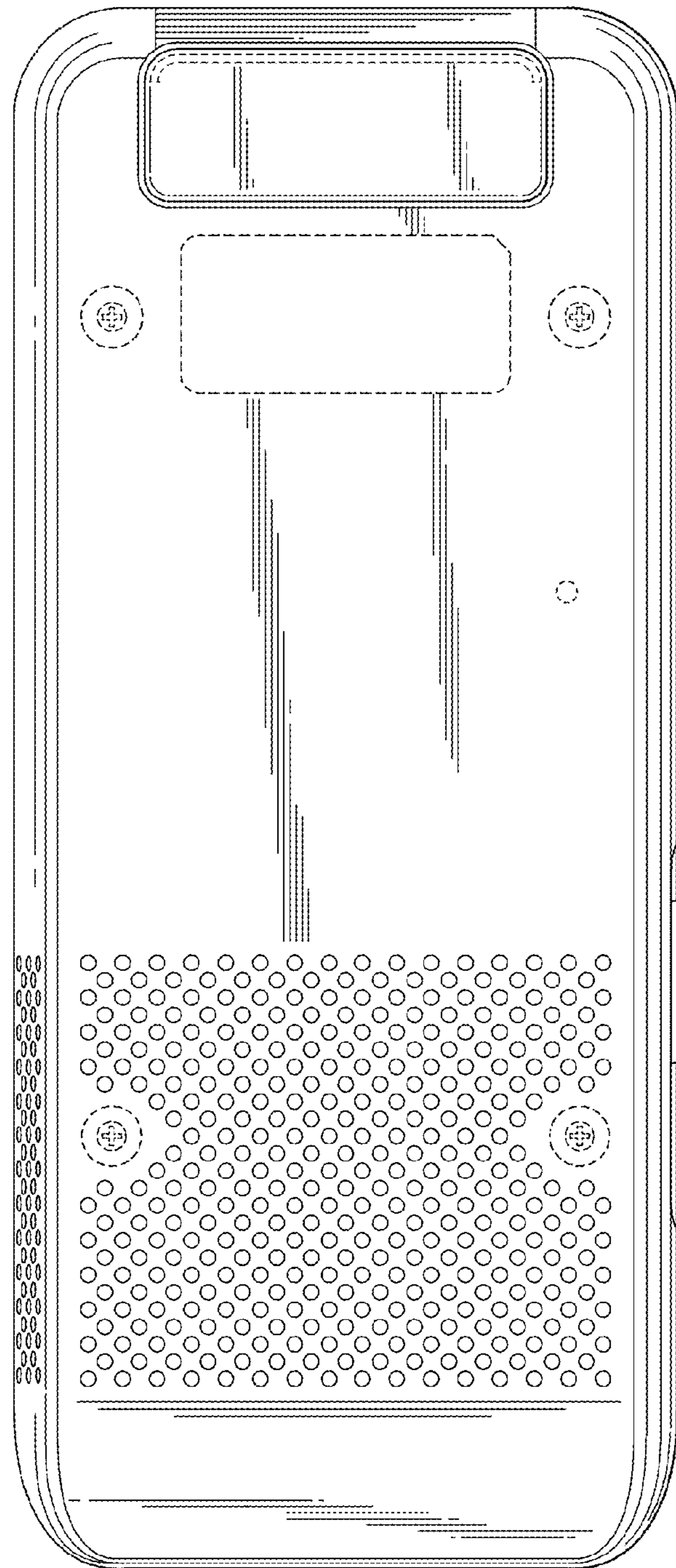


FIG. 10

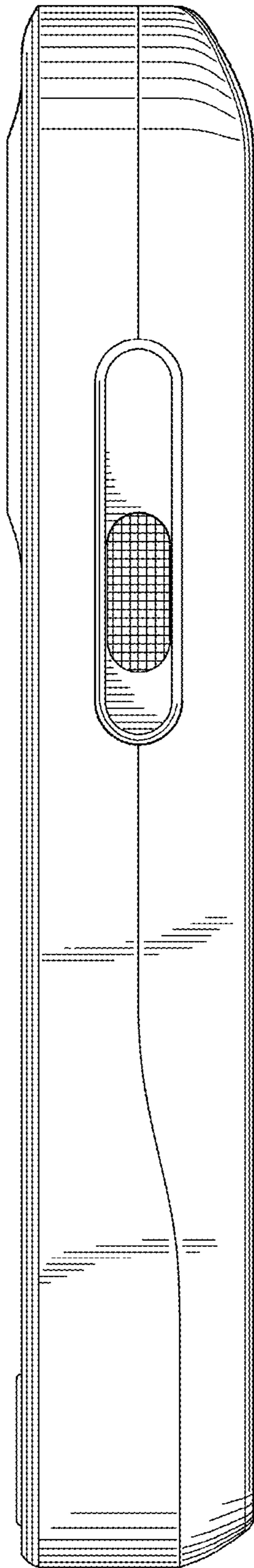


FIG. 11

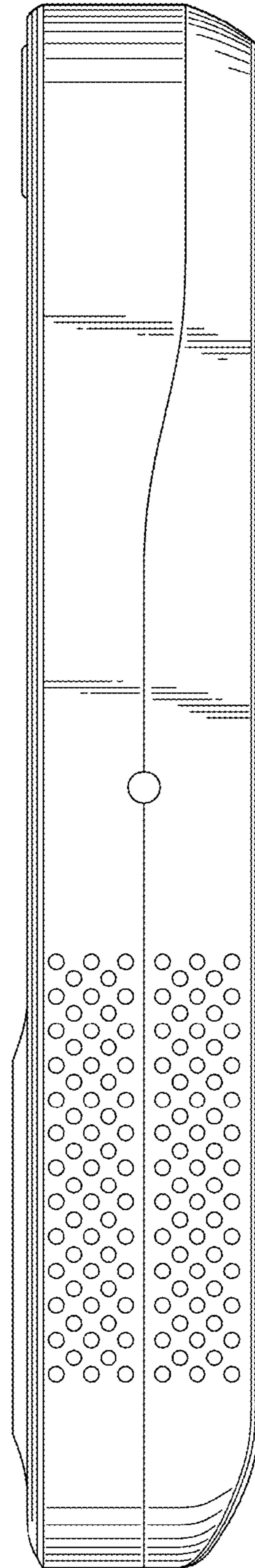


FIG. 12

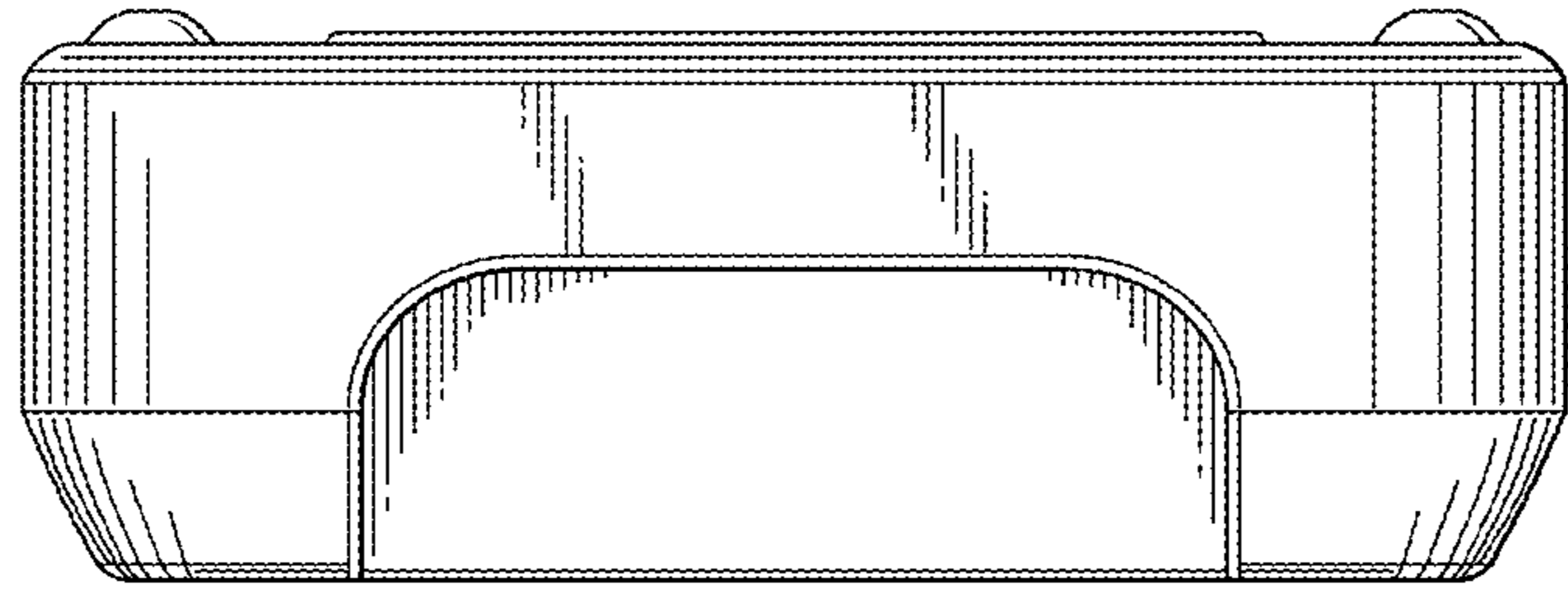


FIG.13

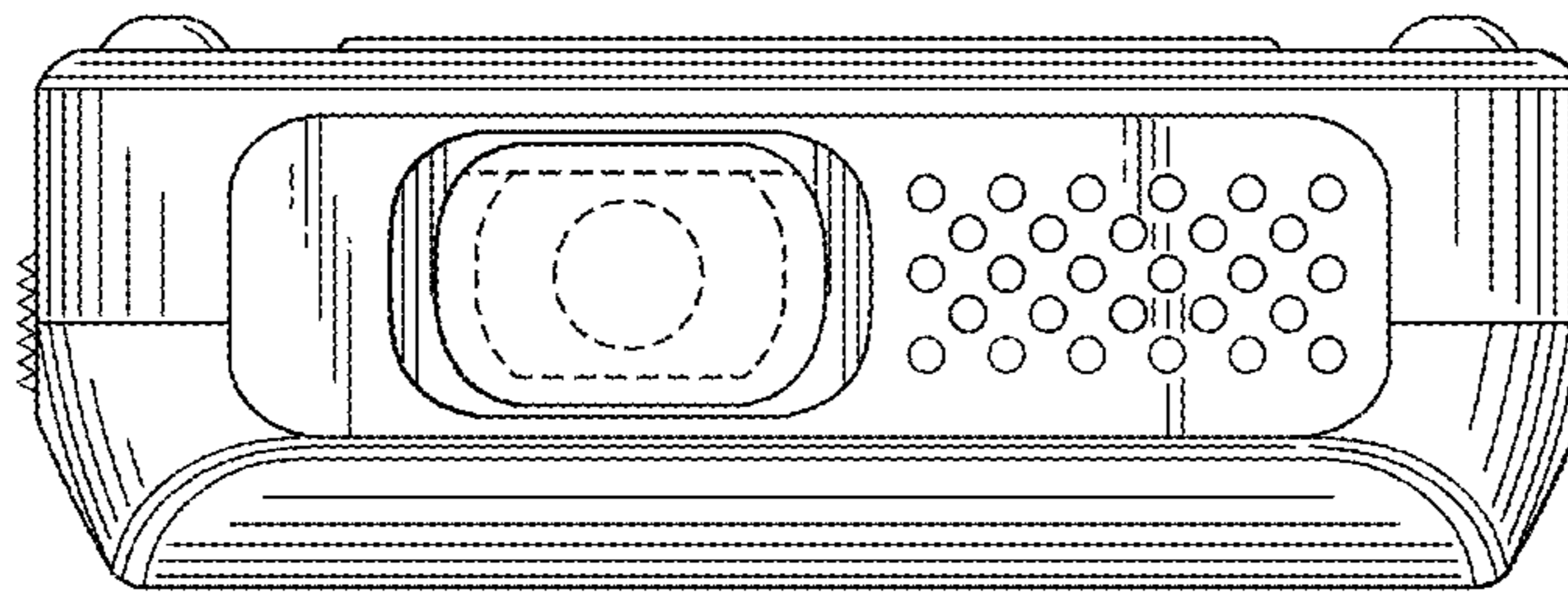


FIG.14