



US00D688722S

(12) **United States Design Patent**
Akita et al.

(10) **Patent No.:** **US D688,722 S**
(45) **Date of Patent:** **** Aug. 27, 2013**

- (54) **CAMERA**
- (71) Applicant: **Sony Corporation**, Tokyo (JP)
- (72) Inventors: **Miho Akita**, Tokyo (JP); **Katsuhisa Hakoda**, Tokyo (JP)
- (73) Assignee: **Sony Corporation**, Tokyo (JP)
- (**) Term: **14 Years**
- (21) Appl. No.: **29/421,832**
- (22) Filed: **Oct. 2, 2012**

D539,319 S	3/2007	Masamitsu et al.	
D589,073 S	3/2009	Hibi	
7,507,041 B2	3/2009	Ueda et al.	
D597,579 S	8/2009	Obata	
D608,812 S	1/2010	Tainaka	
D628,220 S *	11/2010	Lee	D16/202
D630,668 S *	1/2011	Miyashita	D16/219
8,014,667 B2 *	9/2011	Saiki	396/535
D648,363 S *	11/2011	Takagi et al.	D16/219
D652,067 S *	1/2012	Katsuraku et al.	D16/219
D652,853 S	1/2012	Tsukamoto	
D654,943 S	2/2012	Ogasawara et al.	

FOREIGN PATENT DOCUMENTS

JP D1223912 S 10/2004

* cited by examiner

Primary Examiner — Adir Aronovich

(74) *Attorney, Agent, or Firm* — Rader, Fishman & Grauer PLLC

- Related U.S. Application Data**
- (62) Division of application No. 29/371,594, filed on May 6, 2011, now Pat. No. Des. 671,976.
 - (51) **LOC (9) Cl.** **16-05**
 - (52) **U.S. Cl.**
USPC **D16/219**
 - (58) **Field of Classification Search**
USPC D16/200, 202, 204, 208, 218, 219;
348/373-376; 358/909.1; 396/535, 540,
396/541
See application file for complete search history.

(57) **CLAIM**
The ornamental design for a camera, as shown and described.

DESCRIPTION

FIG. 1 is a top front and right side perspective view of a camera showing our new design;
 FIG. 2 is a front elevational view thereof;
 FIG. 3 is a rear elevational view thereof;
 FIG. 4 is a left side elevational view thereof;
 FIG. 5 is a right side elevational view thereof;
 FIG. 6 is a top plan view thereof; and,
 FIG. 7 is a bottom plan view thereof.
 The portions of the camera in broken lines are shown for illustrative purposes only and form no part of the claimed design.

- (56) **References Cited**
U.S. PATENT DOCUMENTS
D403,687 S 1/1999 Sekita
D435,572 S 12/2000 Maeyama
D444,161 S 6/2001 Nakamura
D445,438 S 7/2001 Kubota
6,792,706 B2 * 9/2004 Nagata 396/535
D528,578 S 9/2006 Yasutomi
D528,579 S 9/2006 Yasutomi

1 Claim, 4 Drawing Sheets

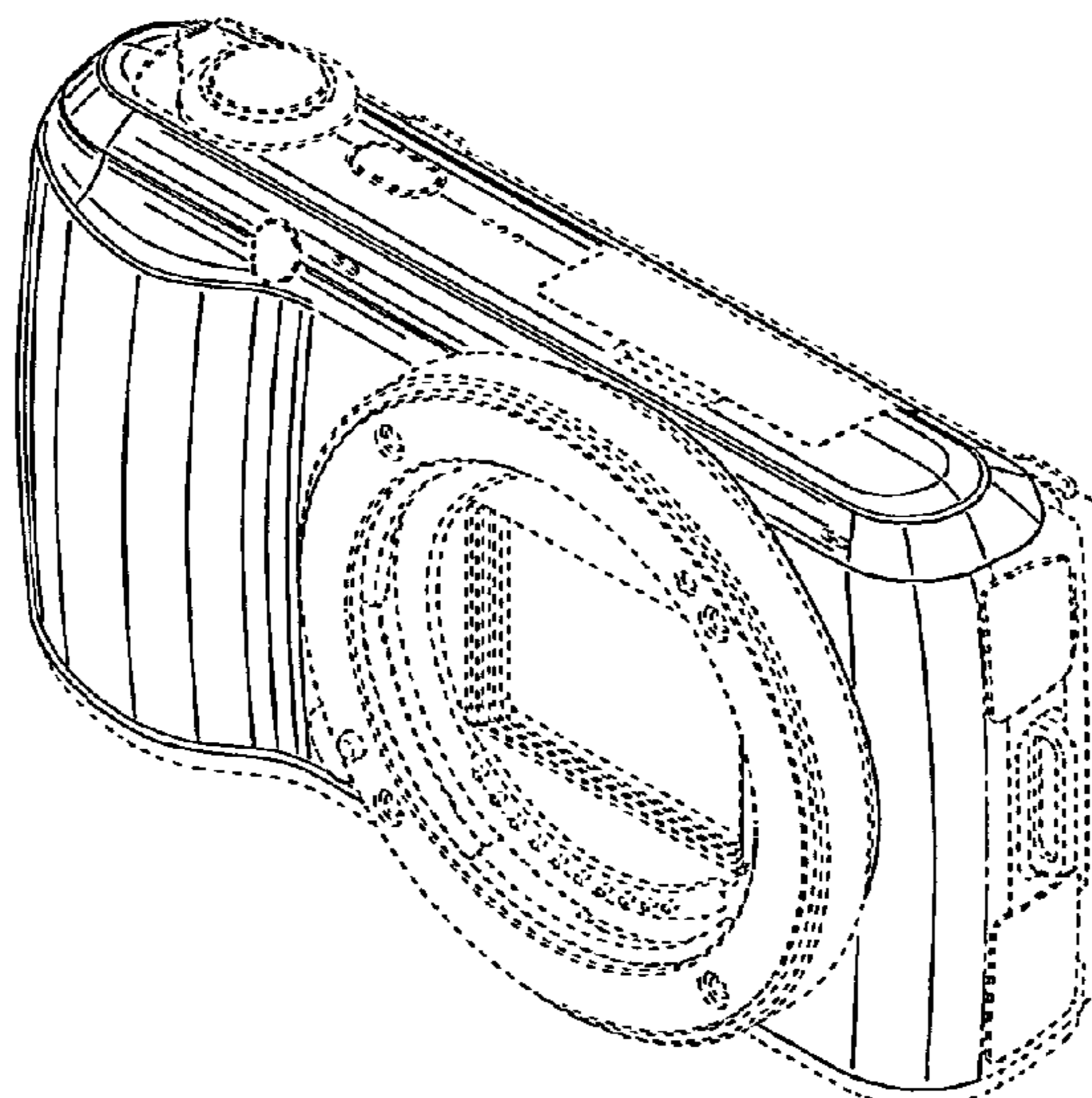


FIG. 1

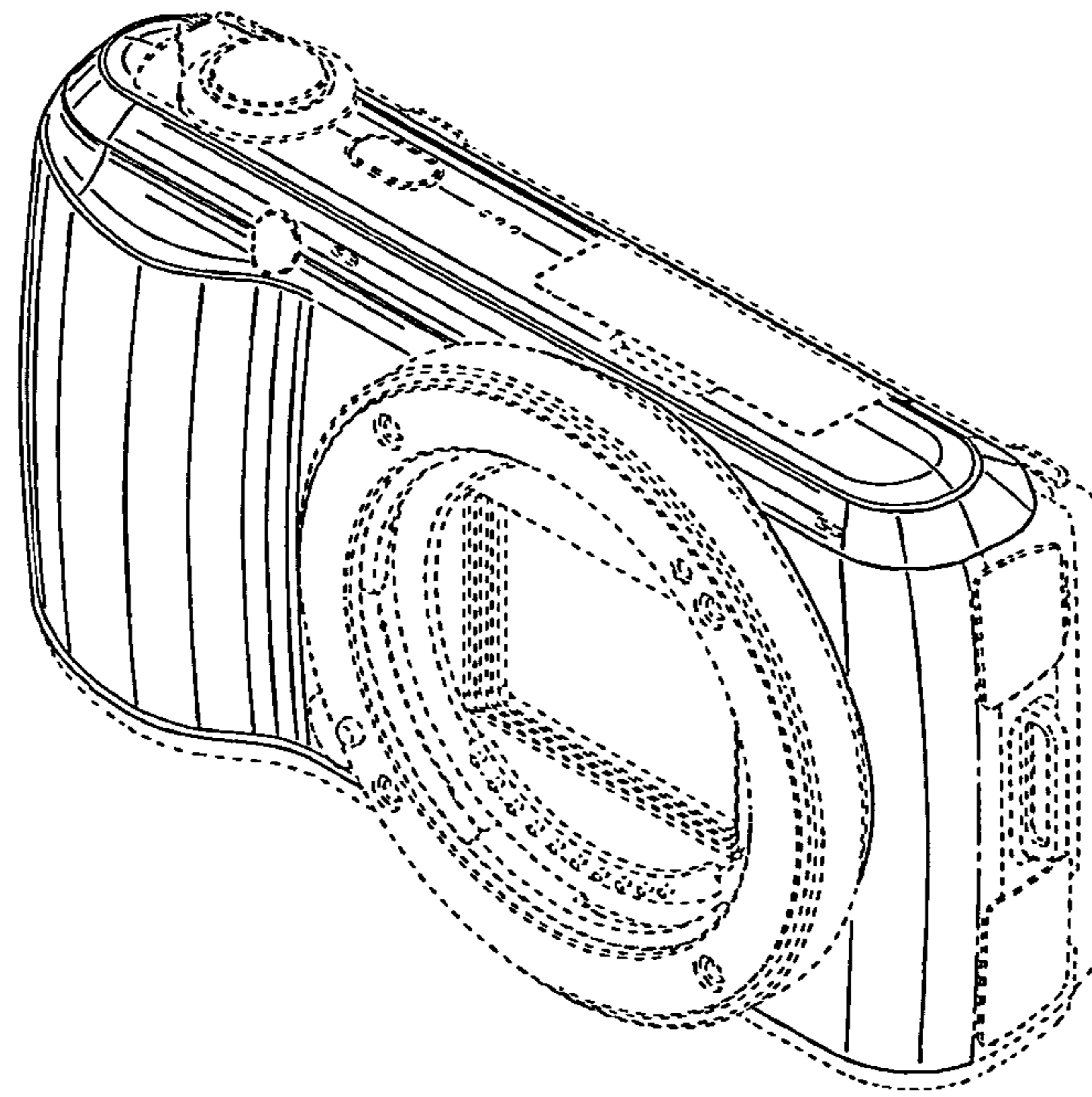


FIG.2

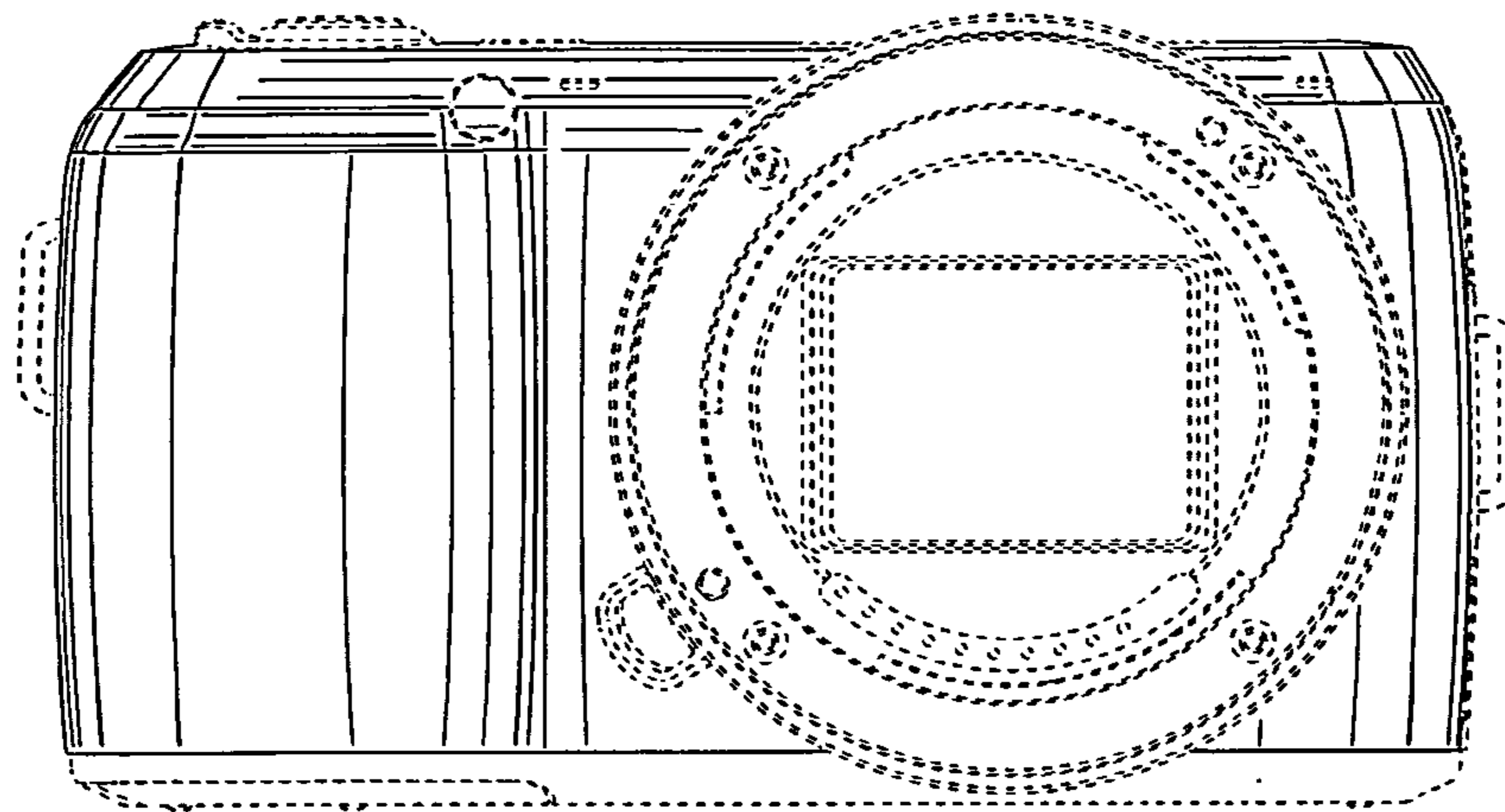


FIG.3

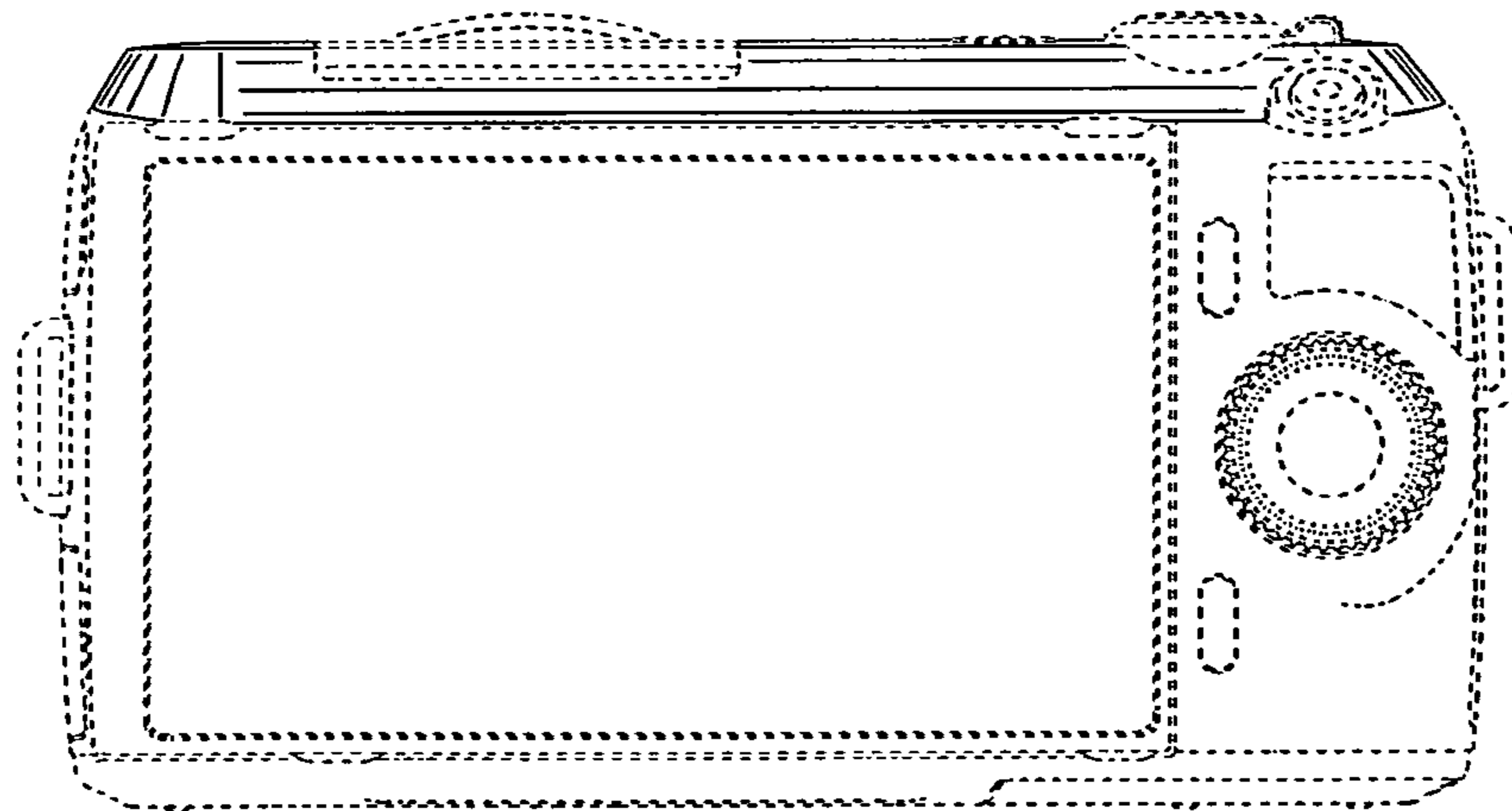


FIG.4

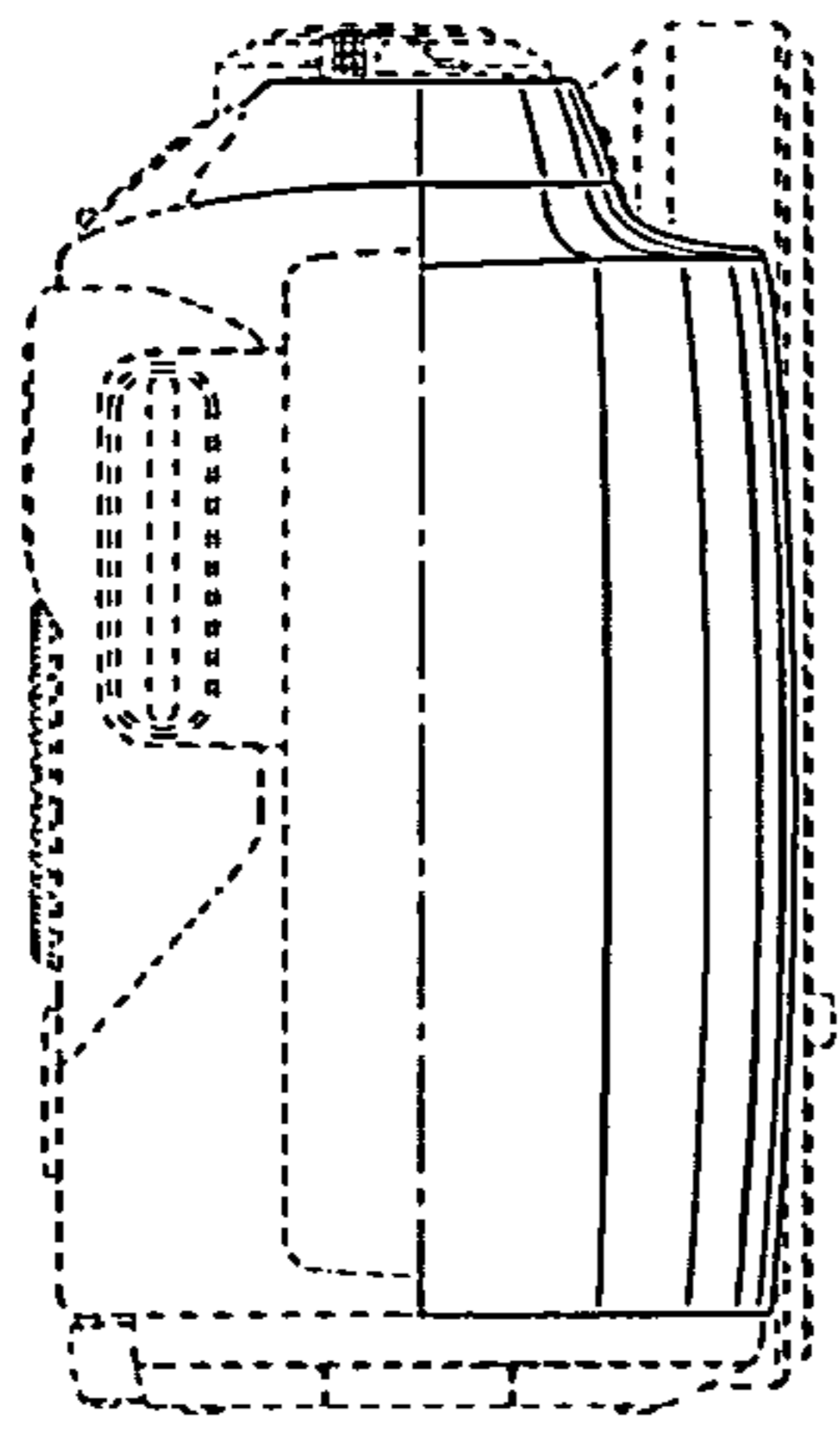


FIG.5

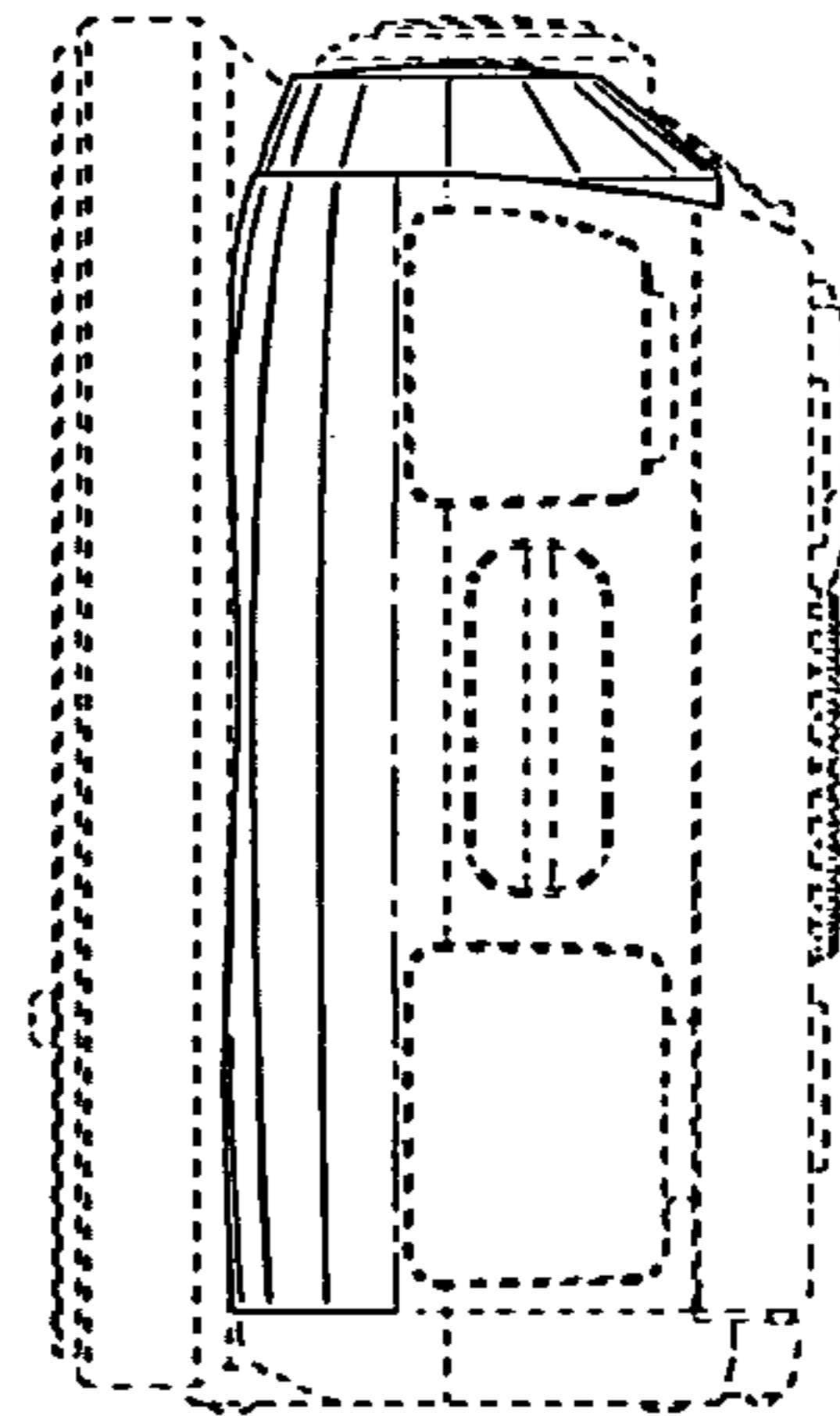


FIG.6

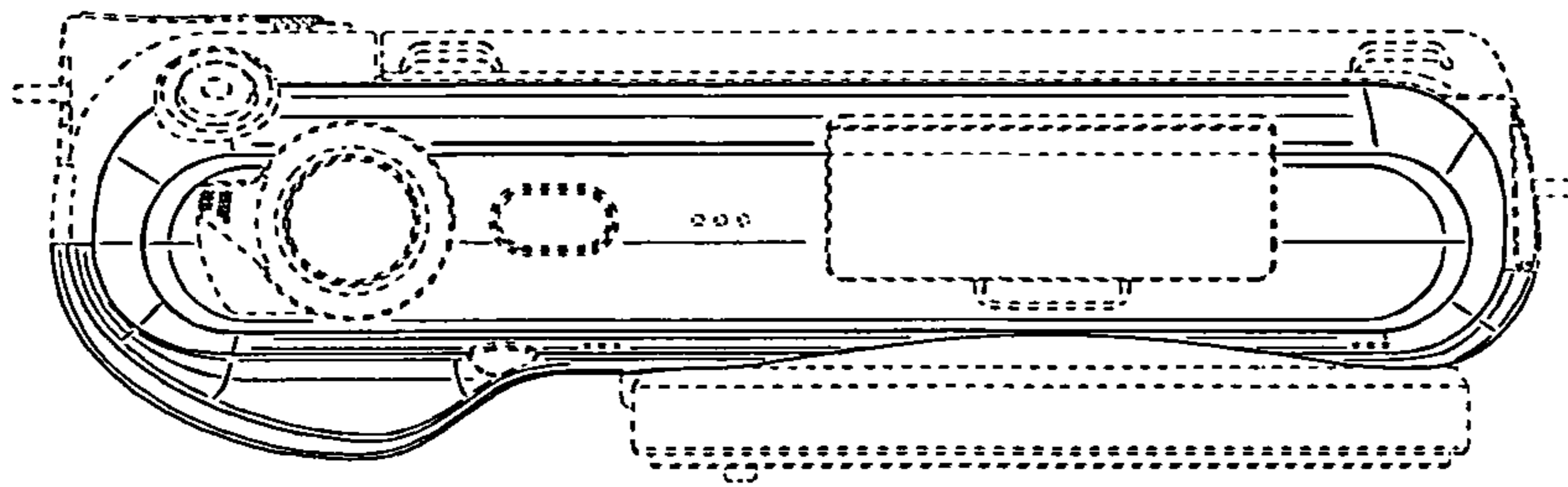


FIG.7

