



US00D688721S

(12) **United States Design Patent**  
**Yoneda et al.**

(10) **Patent No.:** **US D688,721 S**  
(45) **Date of Patent:** **\*\* Aug. 27, 2013**

(54) **VIDEO CAMERA**

(75) Inventors: **Naofumi Yoneda**, Tokyo (JP); **Hiroshi Yasutomi**, Tokyo (JP)

(73) Assignee: **Sony Corporation**, Tokyo (JP)

(\*\*) Term: **14 Years**

(21) Appl. No.: **29/371,673**

(22) Filed: **Jun. 29, 2011**

(30) **Foreign Application Priority Data**

Dec. 29, 2010 (JP) ..... D2010-031597  
Dec. 29, 2010 (JP) ..... D2010-031604

(51) **LOC (9) Cl.** ..... **16-05**

(52) **U.S. Cl.**  
USPC ..... **D16/219**

(58) **Field of Classification Search**  
USPC ..... D16/200, 202, 204, 208, 212, 218,  
D16/219; 348/373, 374, 375, 376; 358/909.1;  
396/349, 448, 535, 536, 537, 538, 539, 540,  
396/541  
See application file for complete search history.

(56) **References Cited**

**U.S. PATENT DOCUMENTS**

D415,510 S 10/1999 Maeyama  
D461,360 S \* 8/2002 Bossler ..... D7/337  
D528,576 S \* 9/2006 Chung et al. .... D16/202  
D565,081 S \* 3/2008 Ishikawa ..... D16/235  
D576,188 S 9/2008 Murakami  
D586,836 S \* 2/2009 Liow et al. .... D16/218

D587,291 S 2/2009 Yasutomi  
7,522,834 B2 \* 4/2009 Heaven et al. .... 396/535  
D592,231 S \* 5/2009 Schnell ..... D16/202  
D621,435 S \* 8/2010 Green et al. .... D16/219  
D636,008 S 4/2011 Yasutomi  
D655,325 S \* 3/2012 Nojima et al. .... D16/131

\* cited by examiner

*Primary Examiner* — Cynthia Underwood

(74) *Attorney, Agent, or Firm* — Rader, Fishman & Grauer PLLC

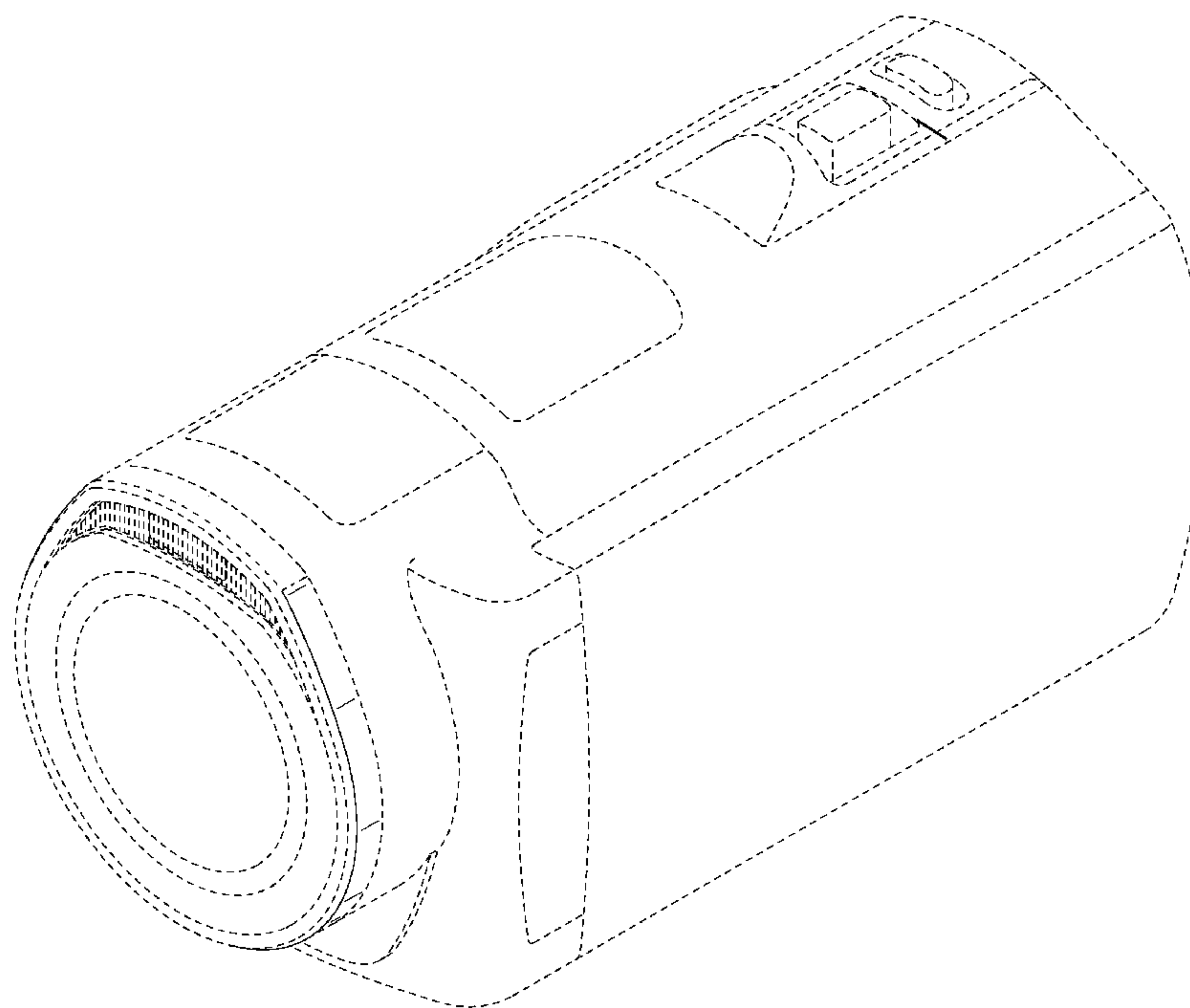
(57) **CLAIM**

The ornamental design for a video camera, as shown and described.

**DESCRIPTION**

FIG. 1 is a perspective view of a video camera showing my new design;  
FIG. 2 is a front elevational view thereof;  
FIG. 3 is a left side elevational view thereof;  
FIG. 4 is a right side elevational view thereof;  
FIG. 5 is a top plan view thereof; and  
FIG. 6 is a bottom plan view thereof.  
FIG. 7 is a perspective view of a second embodiment of a video camera showing my new design;  
FIG. 8 is a front elevational view thereof;  
FIG. 9 is a left side elevational view thereof;  
FIG. 10 is a right side elevational view thereof;  
FIG. 11 is a top plan view thereof; and,  
FIG. 12 is a bottom plan view thereof.  
Portions in broken lines are for illustrative purposes only and form no part of claimed design.

**1 Claim, 12 Drawing Sheets**



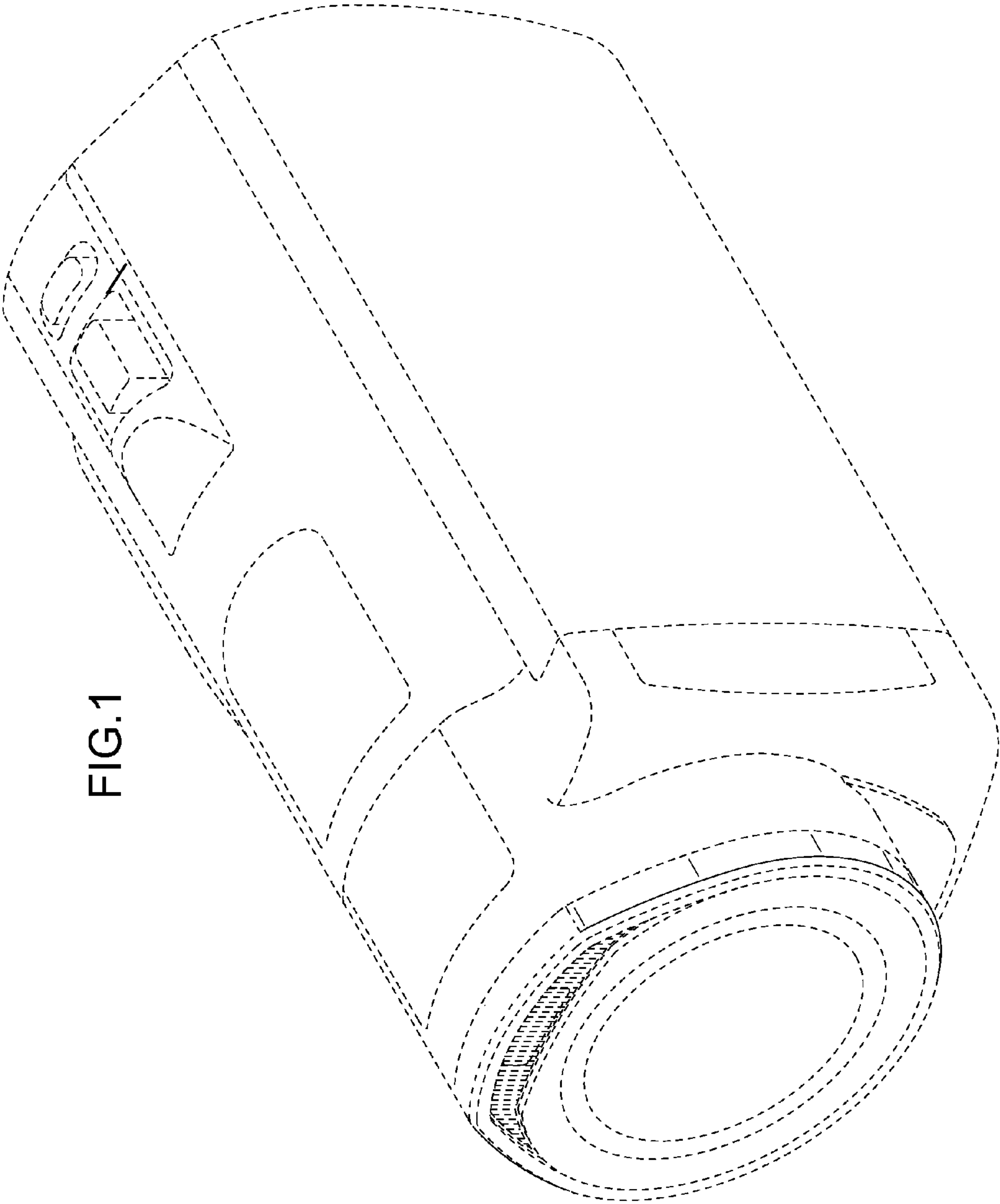


FIG.1

FIG.2

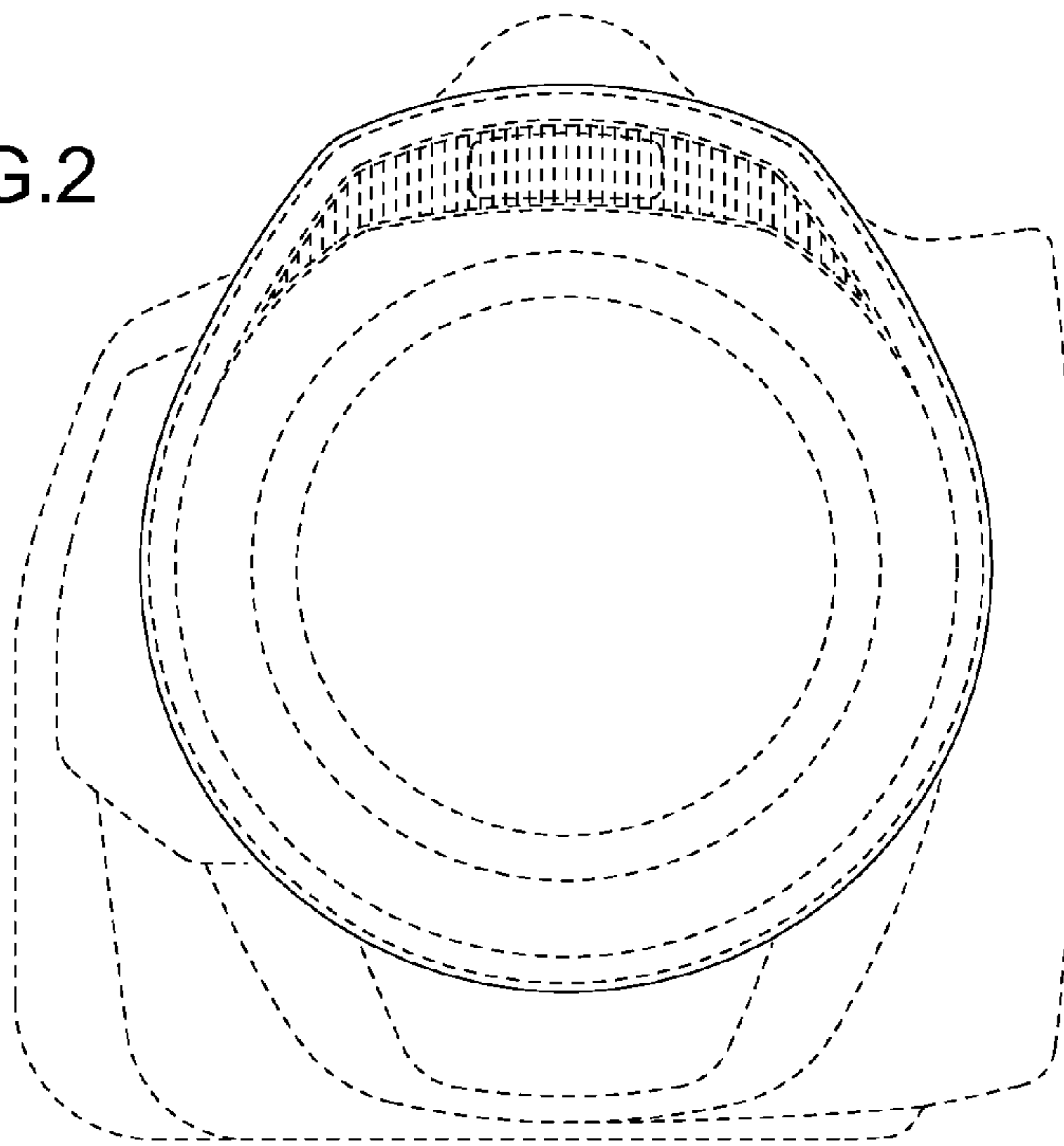


FIG.3

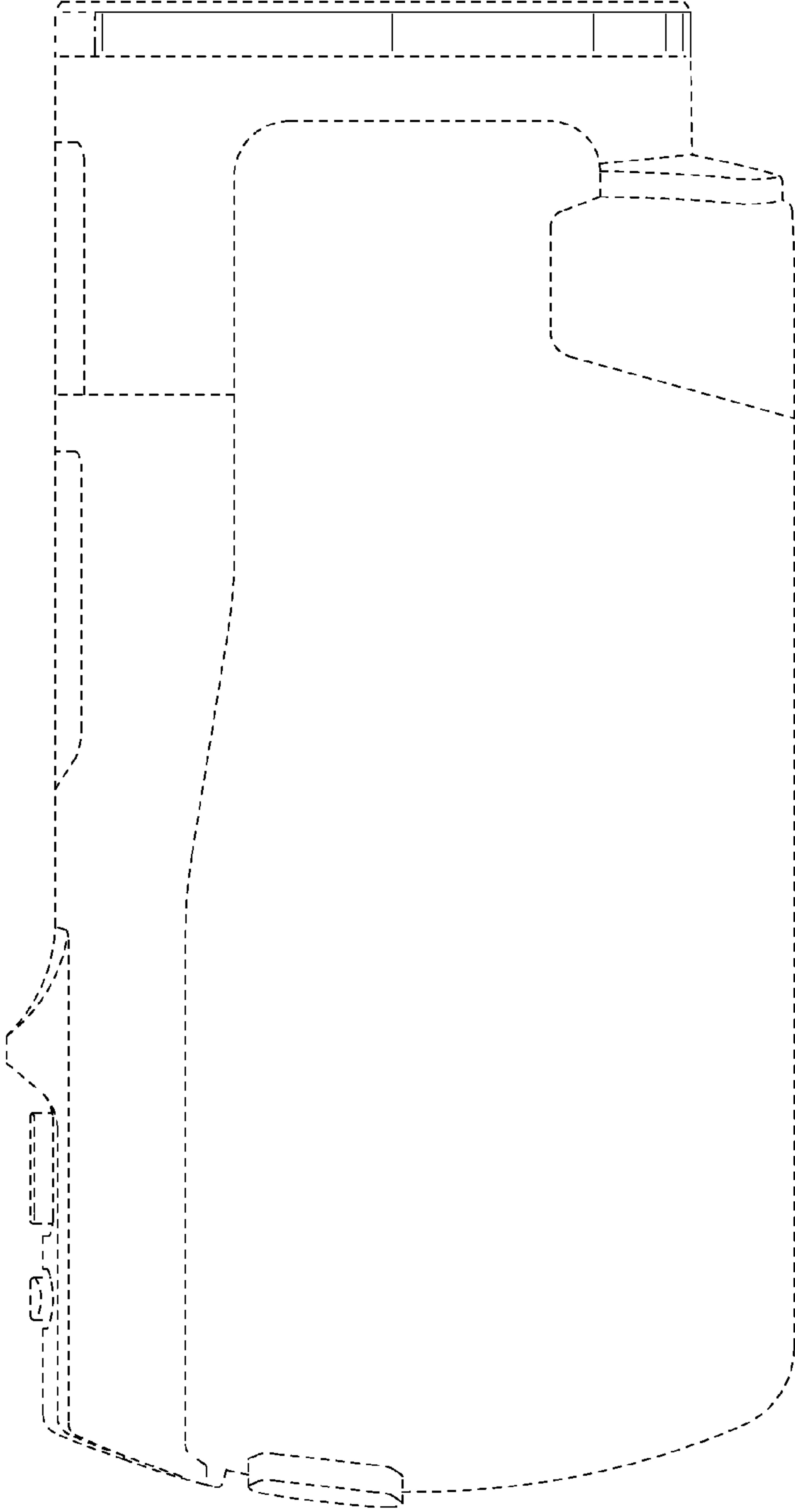


FIG.4

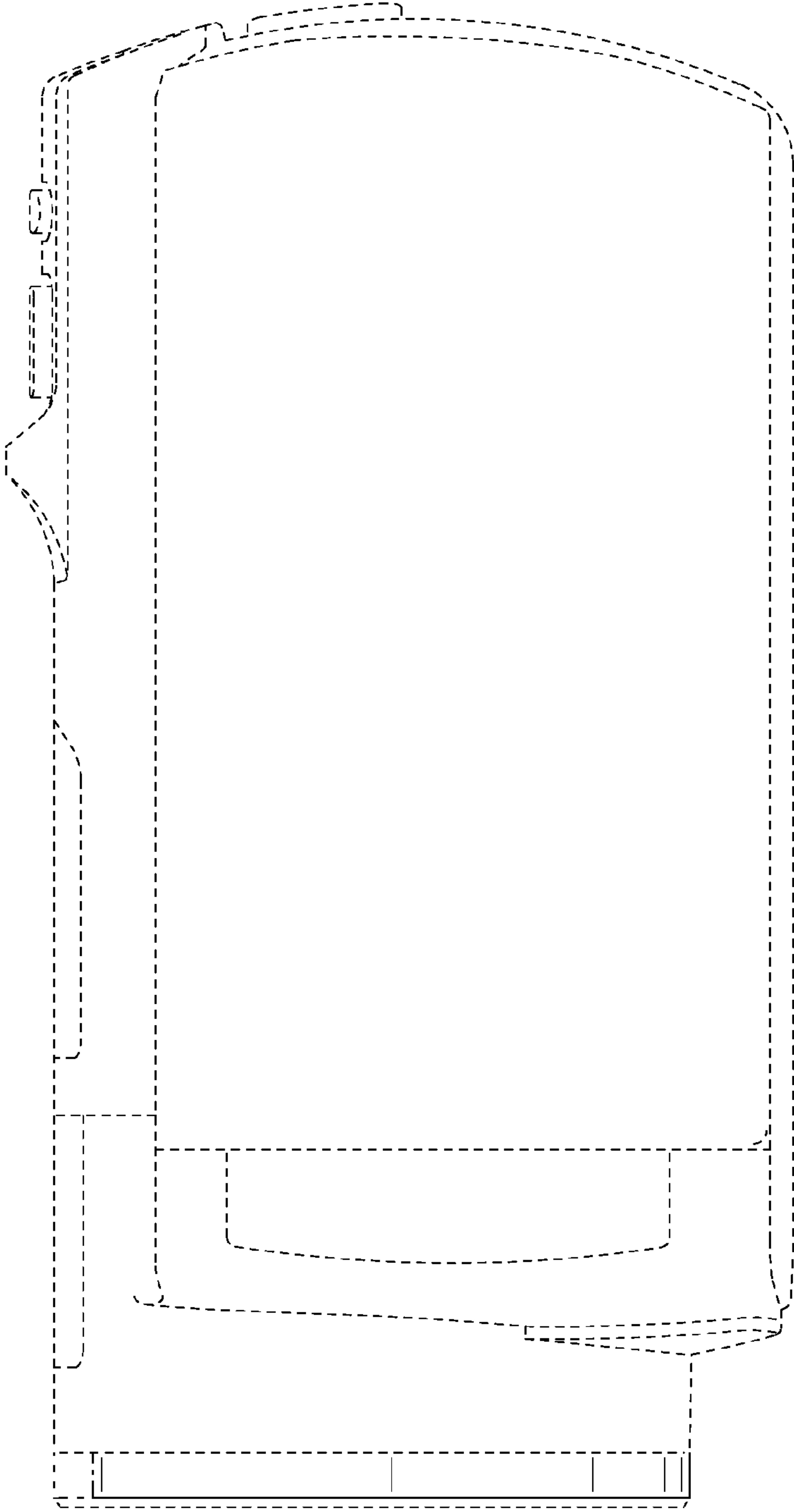


FIG.5

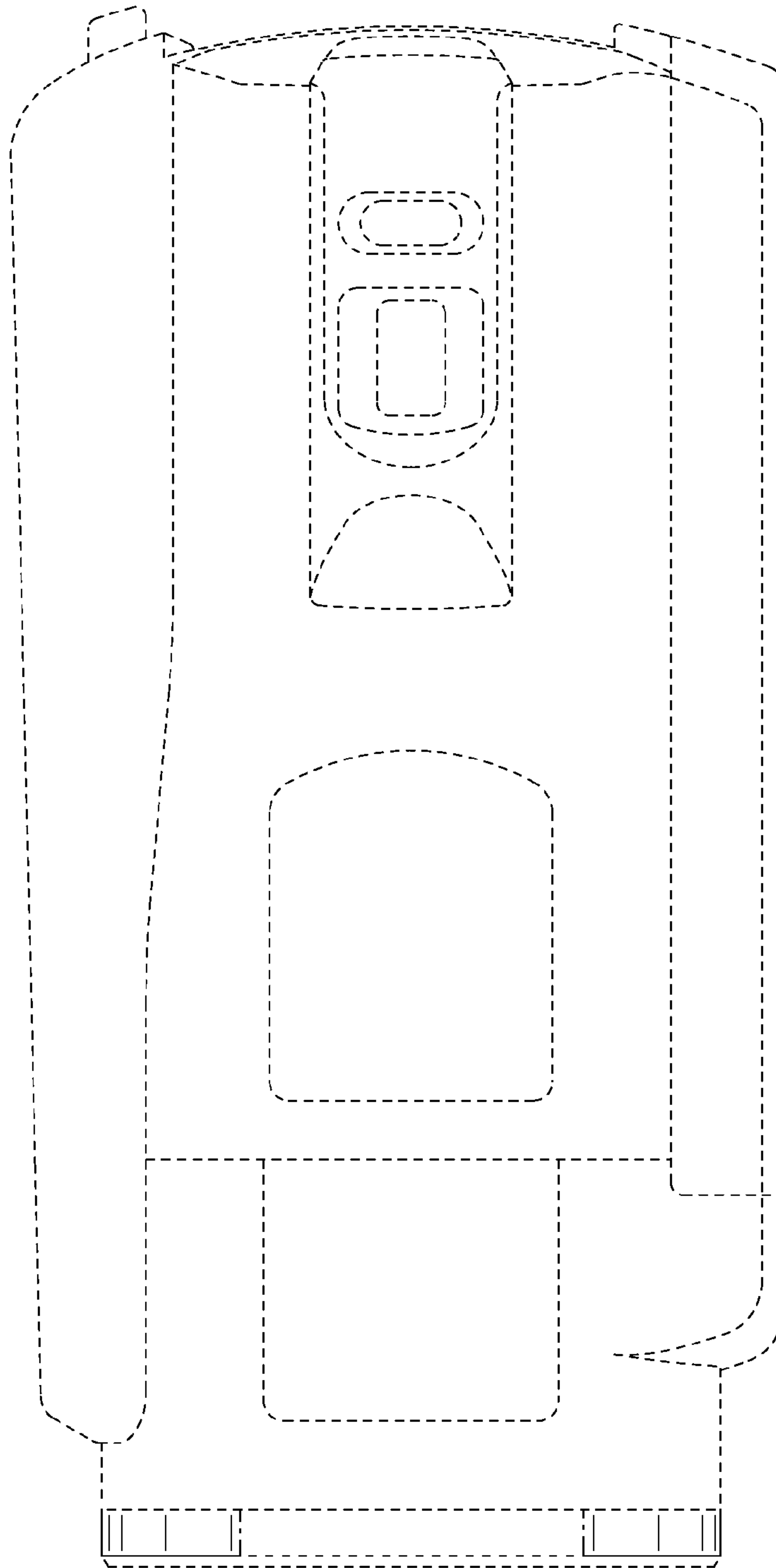
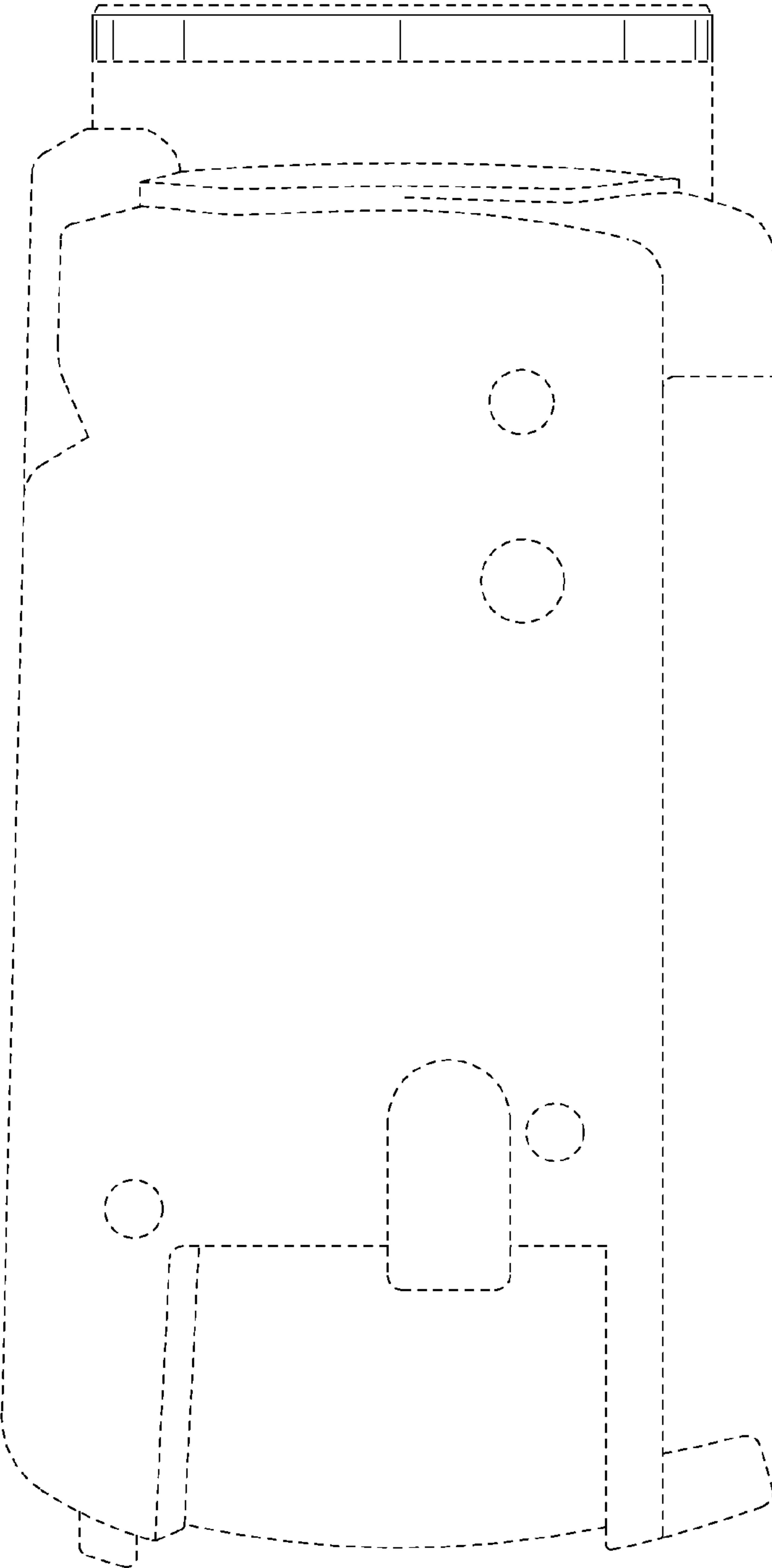


FIG.6



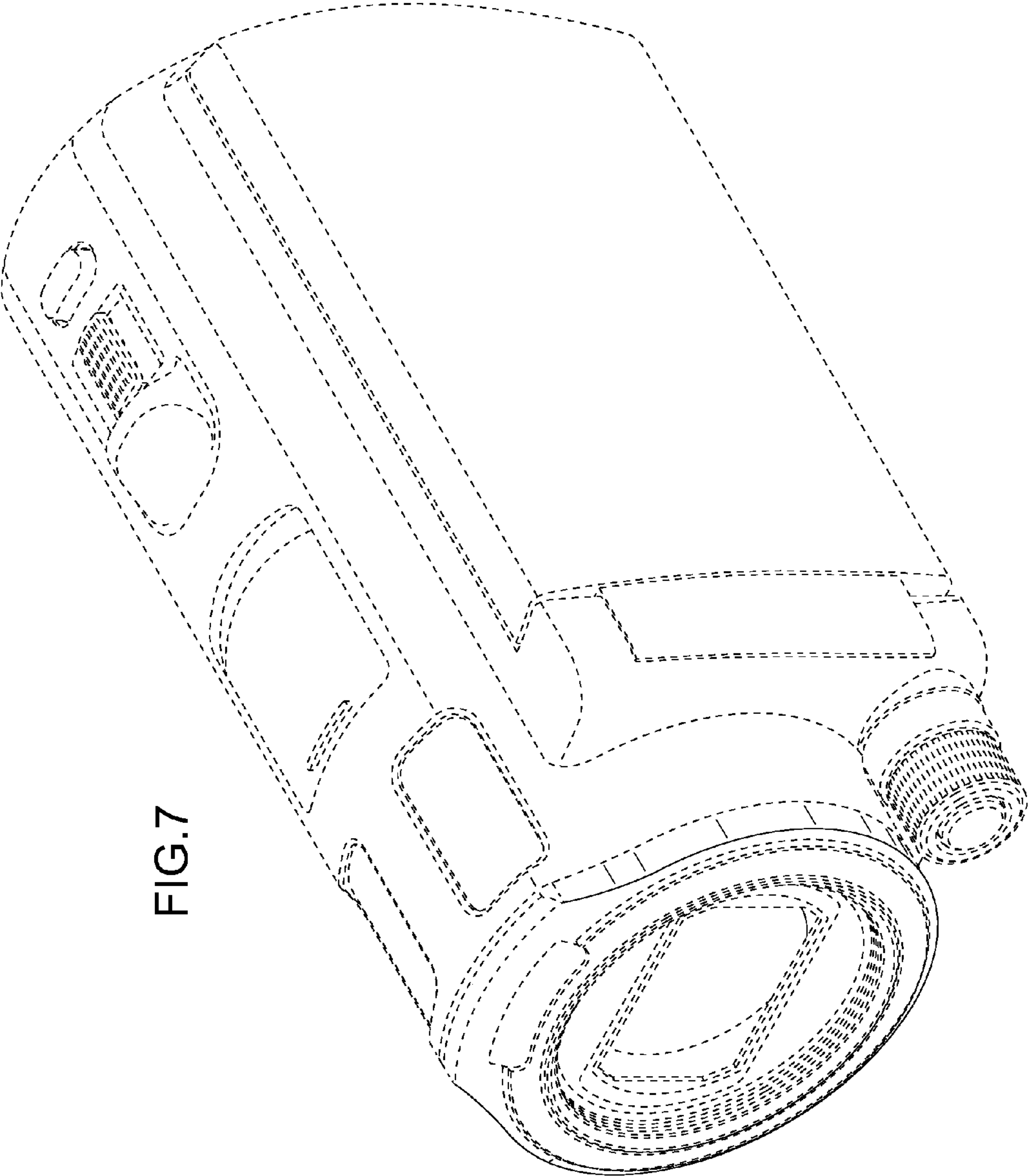


FIG. 7



FIG.8

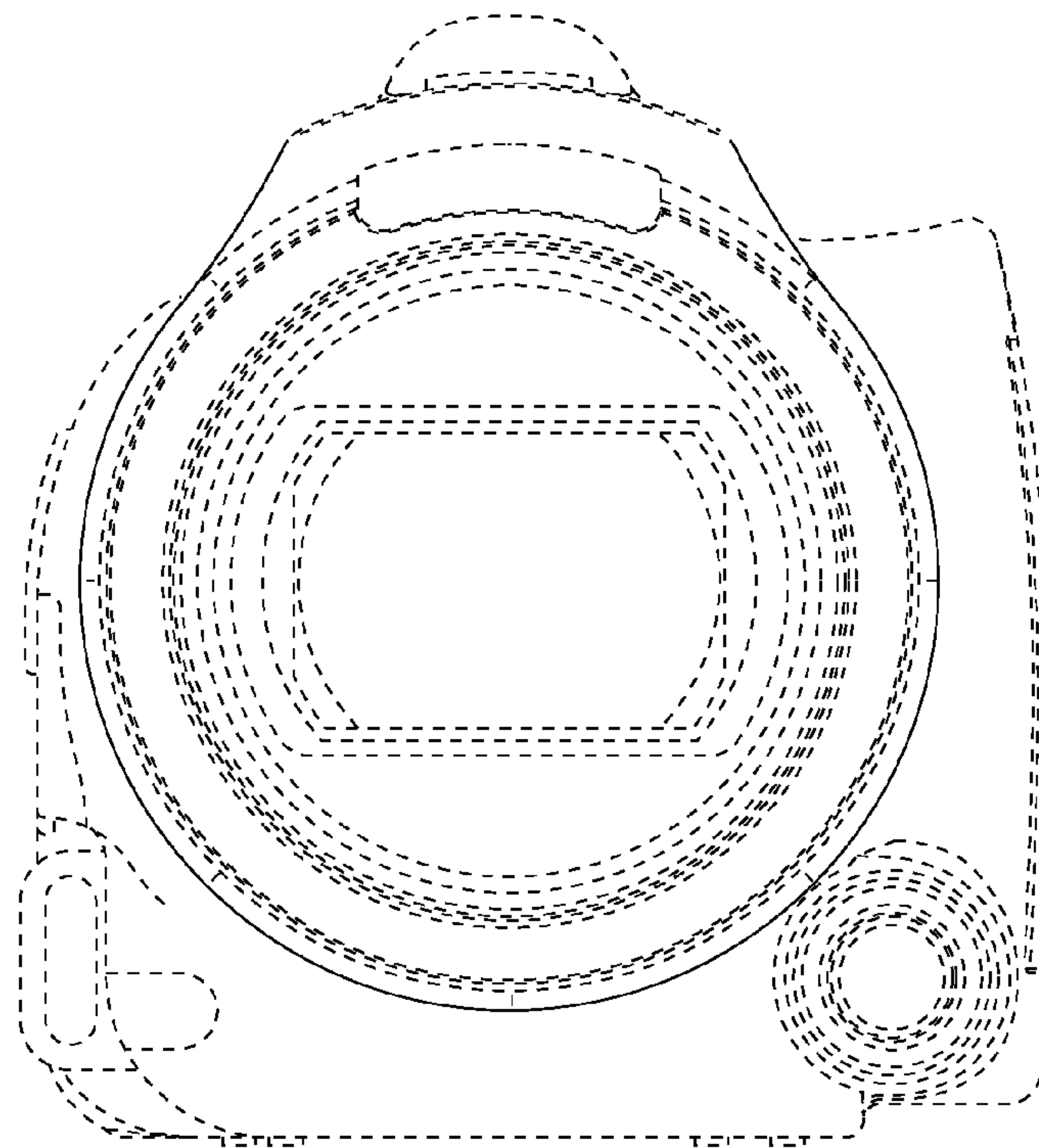


FIG. 9

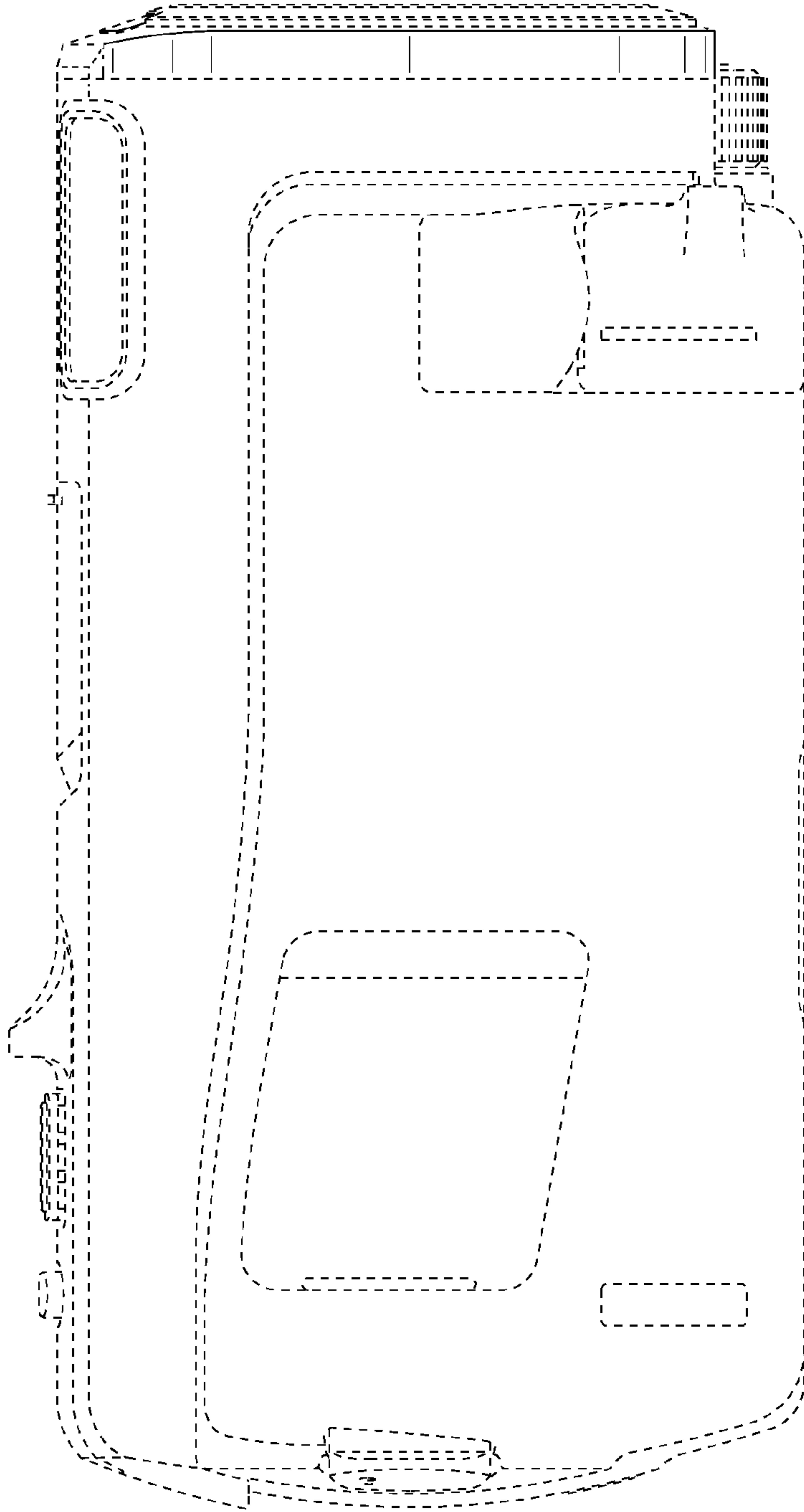


FIG.10

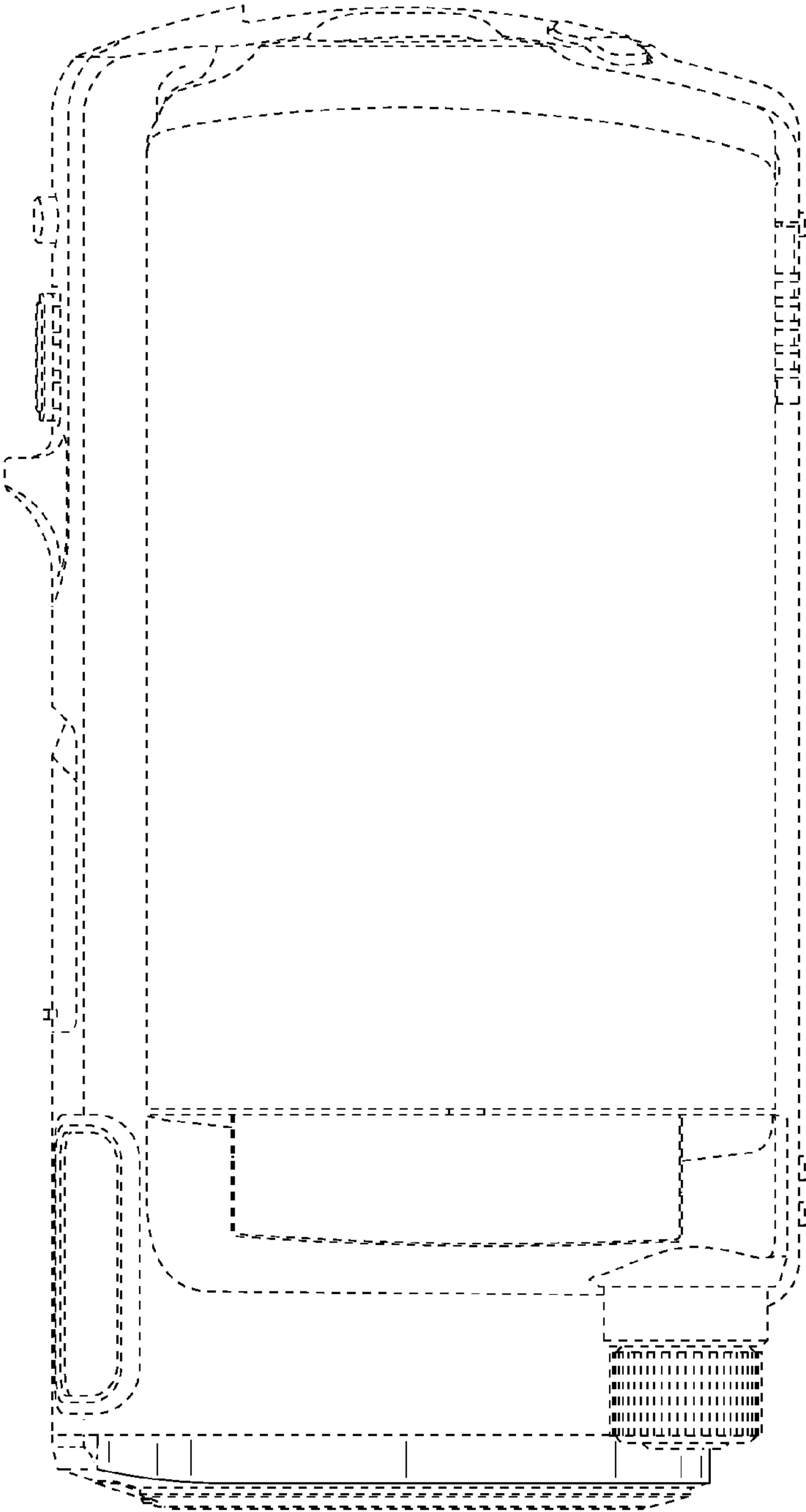


FIG.11

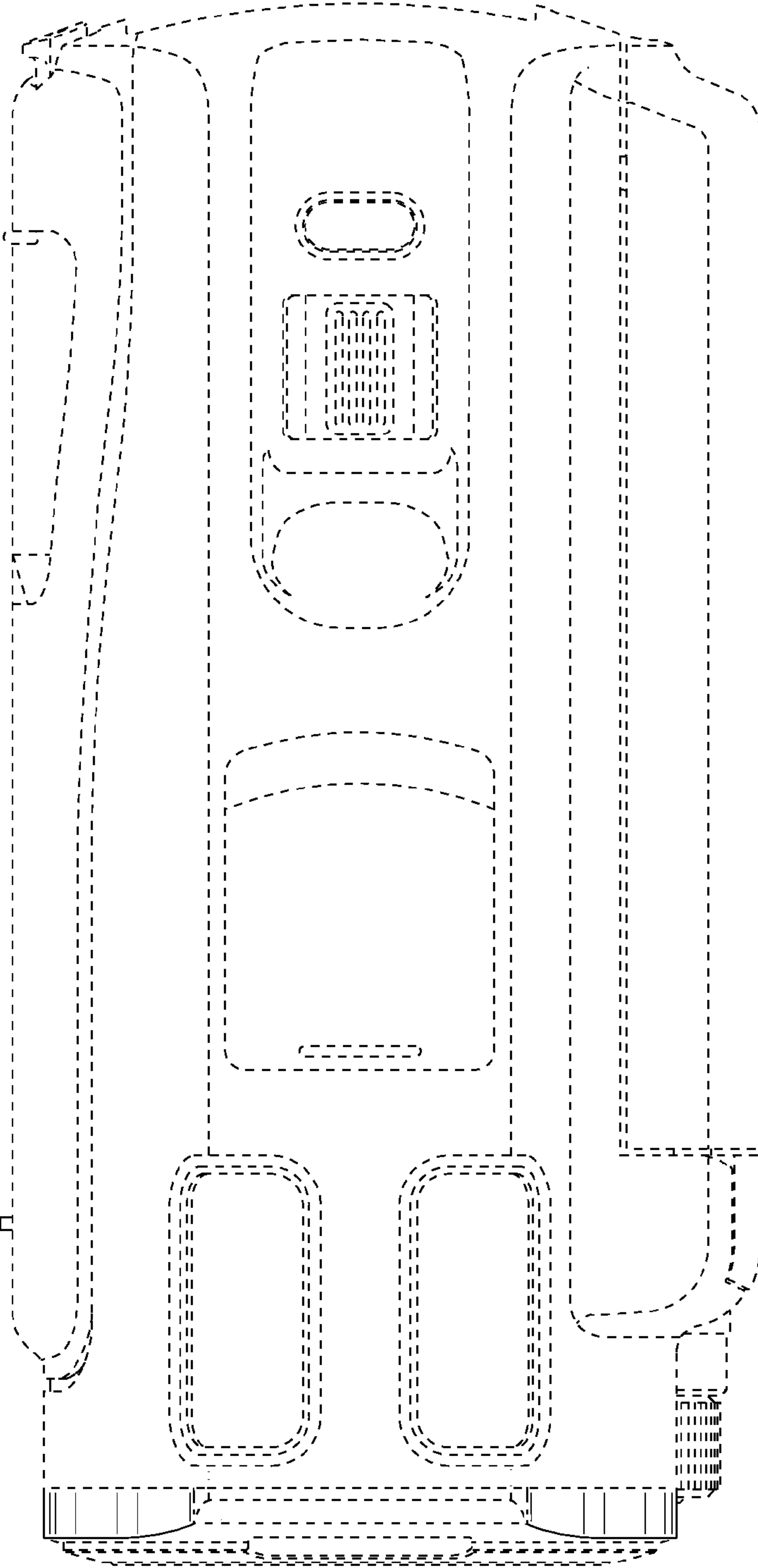


FIG.12

