



US00D688720S

(12) **United States Design Patent**  
**Yilin**

(10) **Patent No.:** **US D688,720 S**

(45) **Date of Patent:** **\*\* Aug. 27, 2013**

(54) **CAMERA**

(75) Inventor: **Gu Yilin**, Shanghai (CN)

(73) Assignee: **Robert Bosch GmbH**, Stuttgart (DE)

(\*\*) Term: **14 Years**

(21) Appl. No.: **29/422,853**

(22) Filed: **May 24, 2012**

(30) **Foreign Application Priority Data**

Nov. 29, 2011 (EM) ..... 001954744

(51) **LOC (9) Cl.** ..... **16-01**

(52) **U.S. Cl.**  
USPC ..... **D16/203**

(58) **Field of Classification Search**  
USPC ..... D10/106.1; D16/200, 202, 203,  
D16/208, 218; 348/143, 373-376; 396/427,  
396/535-541

See application file for complete search history.

(56) **References Cited**

**U.S. PATENT DOCUMENTS**

D416,273 S \* 11/1999 Yamakawa et al. .... D16/203  
D426,250 S \* 6/2000 Lefkowitz ..... D16/203  
6,715,940 B2 \* 4/2004 Top et al. .... 396/427  
D499,125 S \* 11/2004 Adachi et al. .... D16/203

D552,501 S \* 10/2007 Lin et al. .... D16/203  
D610,183 S \* 2/2010 Nohavec et al. .... D16/203  
D639,842 S \* 6/2011 Zeinoun et al. .... D16/203  
D645,071 S \* 9/2011 Hinkel ..... D16/203  
2012/0106942 A1 \* 5/2012 Mukai ..... 396/427

\* cited by examiner

*Primary Examiner* — Adir Aronovich

(74) *Attorney, Agent, or Firm* — Maginot, Moore & Beck

(57) **CLAIM**

The ornamental design for a camera, as shown and described.

**DESCRIPTION**

FIG. 1 is a perspective view of a camera showing my new design;

FIG. 2 is left side elevational view showing the design for the camera of FIG. 1;

FIG. 3 is a right side elevational view showing the design for the camera of FIG. 1;

FIG. 4 is a front elevational view showing the design for the camera of FIG. 1;

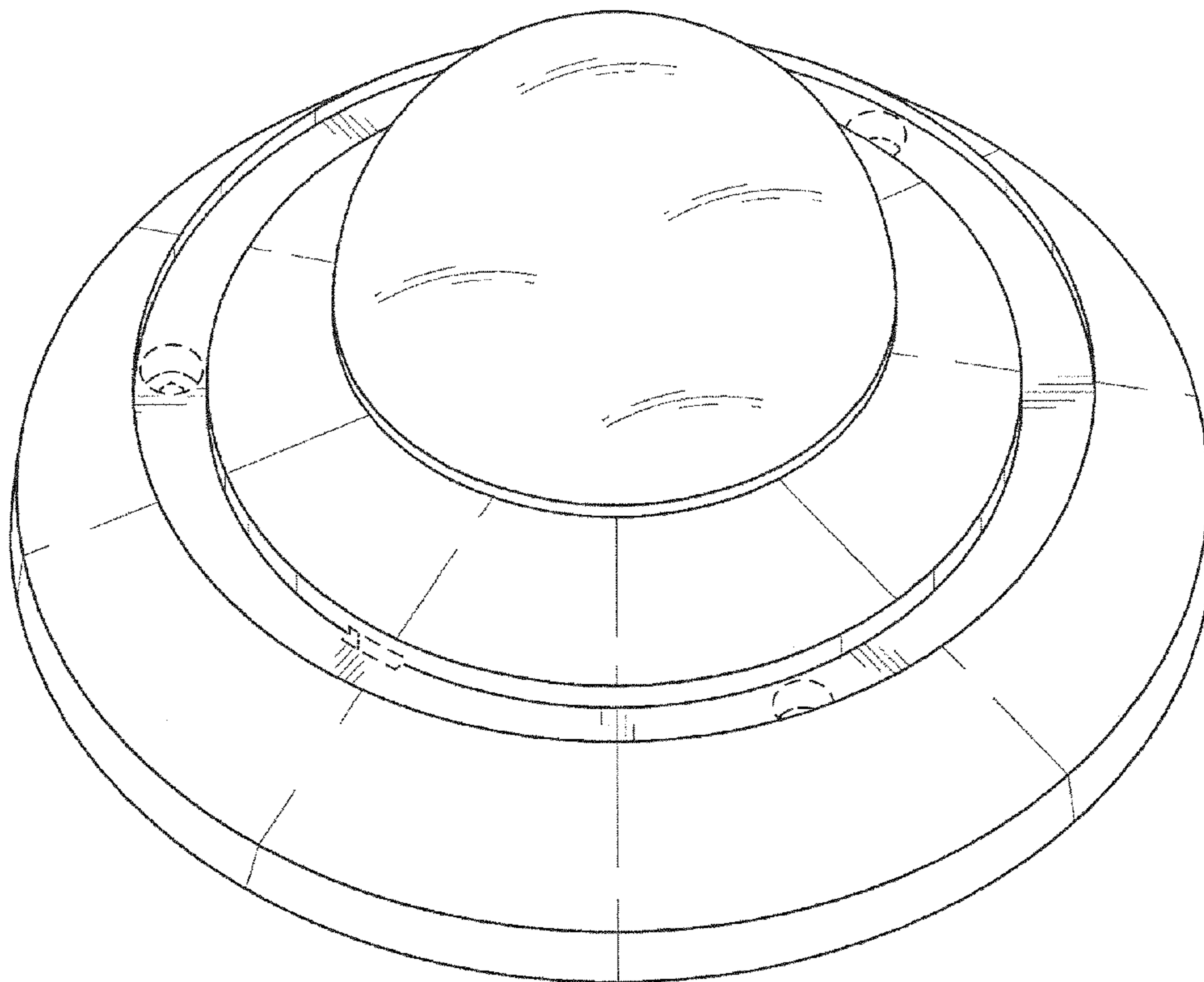
FIG. 5 is a rear elevational view showing the design for the camera of FIG. 1;

FIG. 6 is a top plan view showing the design for the camera of FIG. 1; and,

FIG. 7 is a bottom plan view showing the design for the camera of FIG. 1.

The broken line showing of portions of the camera in the drawings is included for illustrative purposes only and forms no part of the claimed design.

**1 Claim, 7 Drawing Sheets**



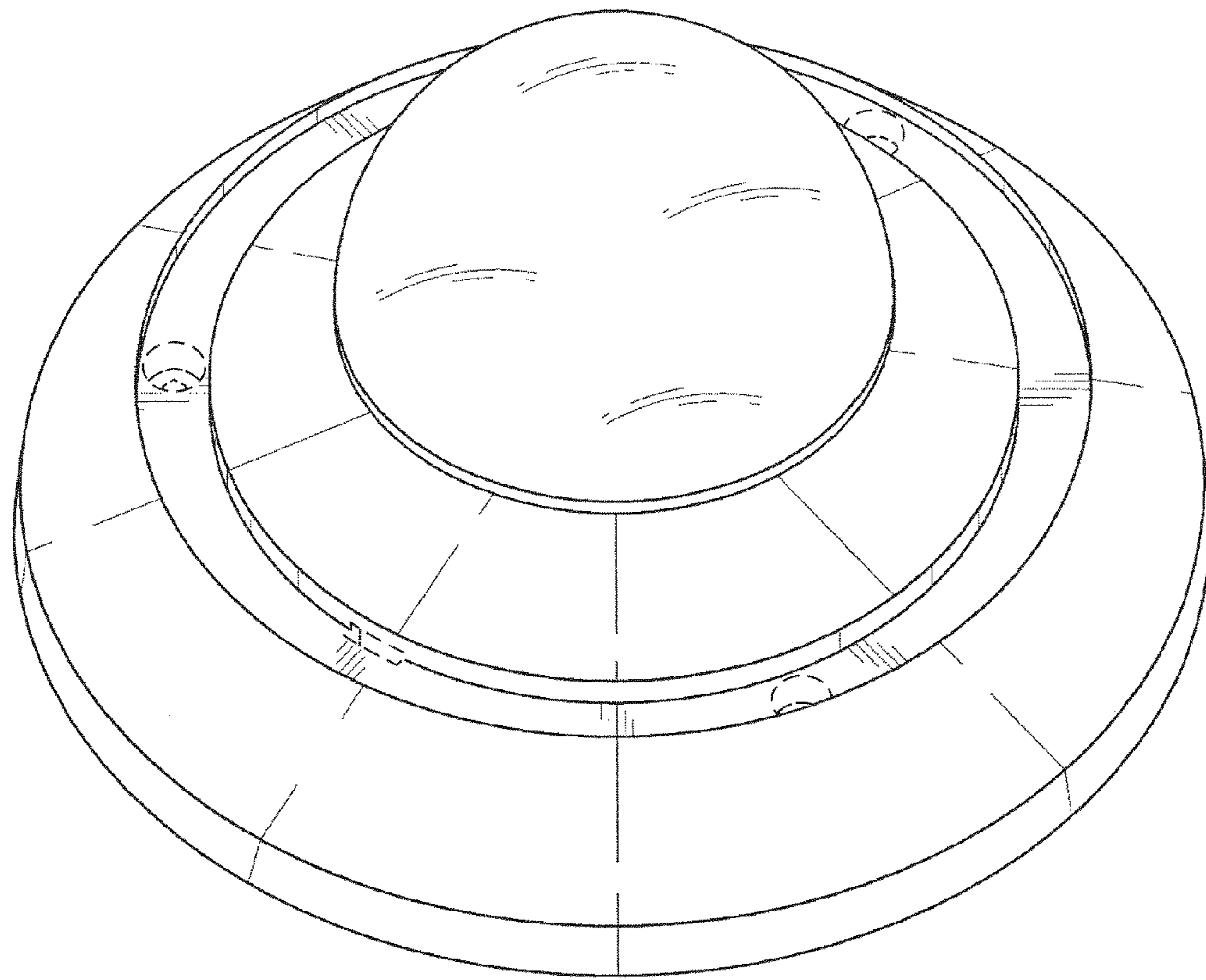


FIG. 1

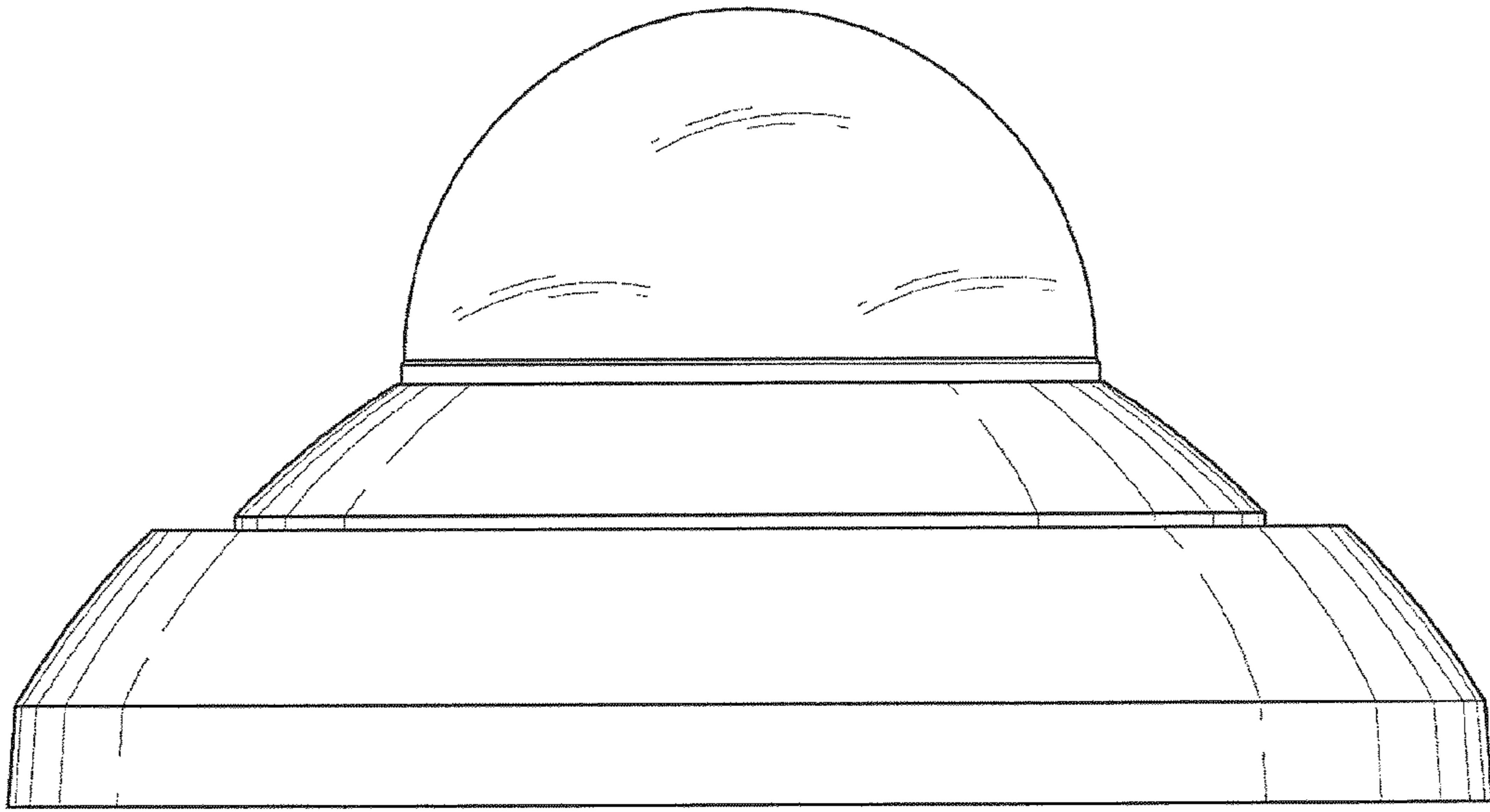


FIG. 2

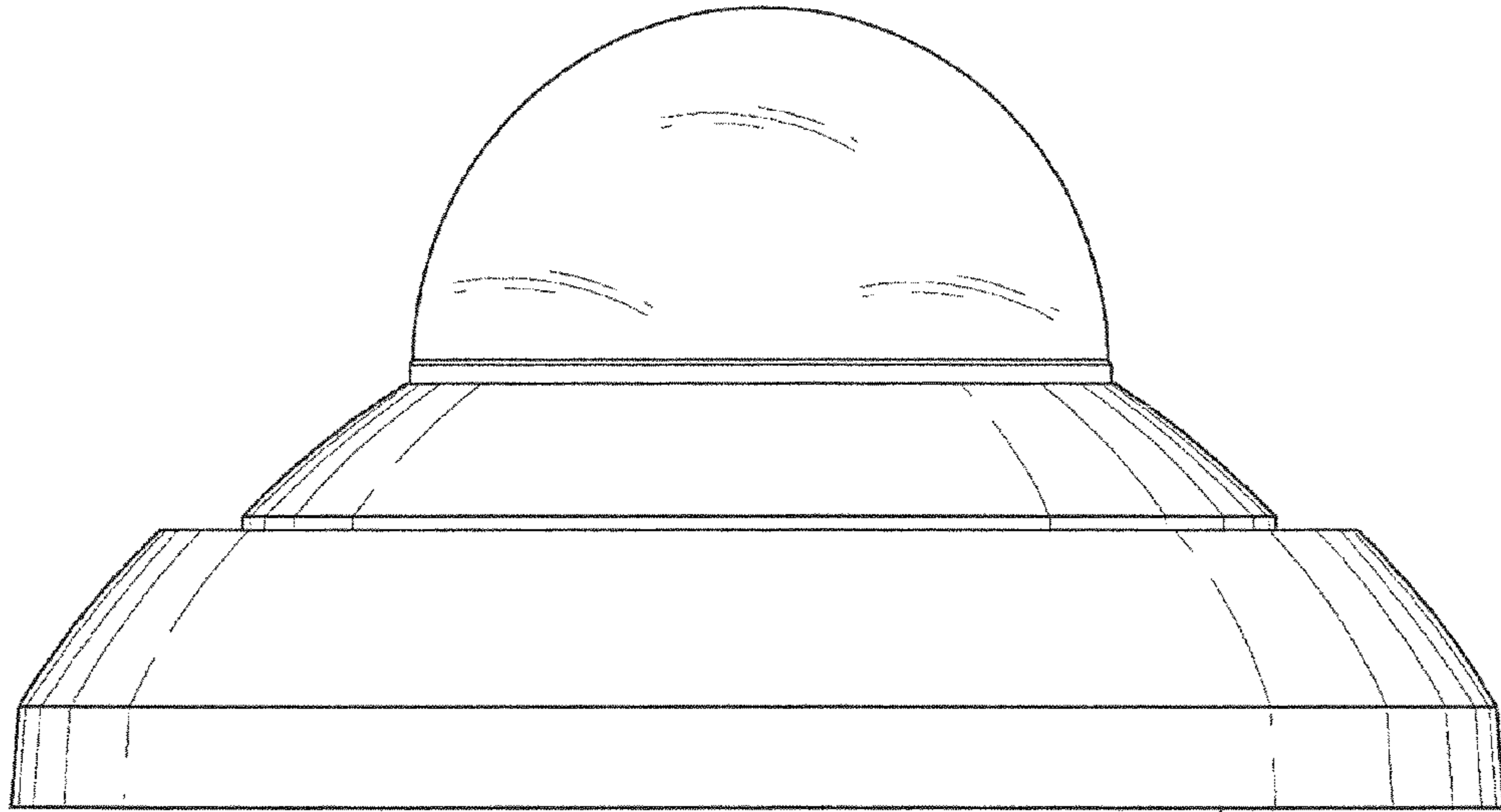


FIG. 3

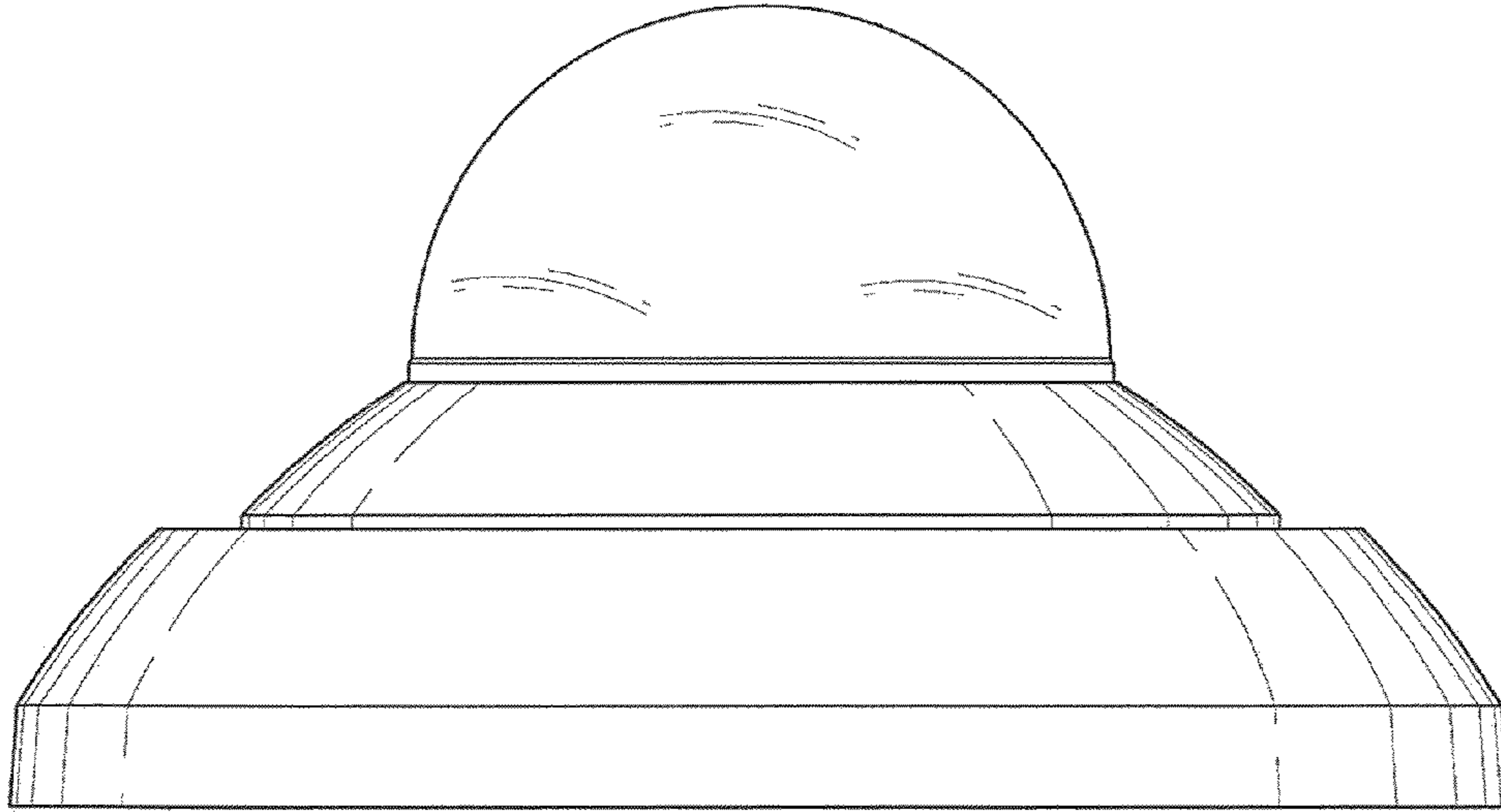


FIG. 4

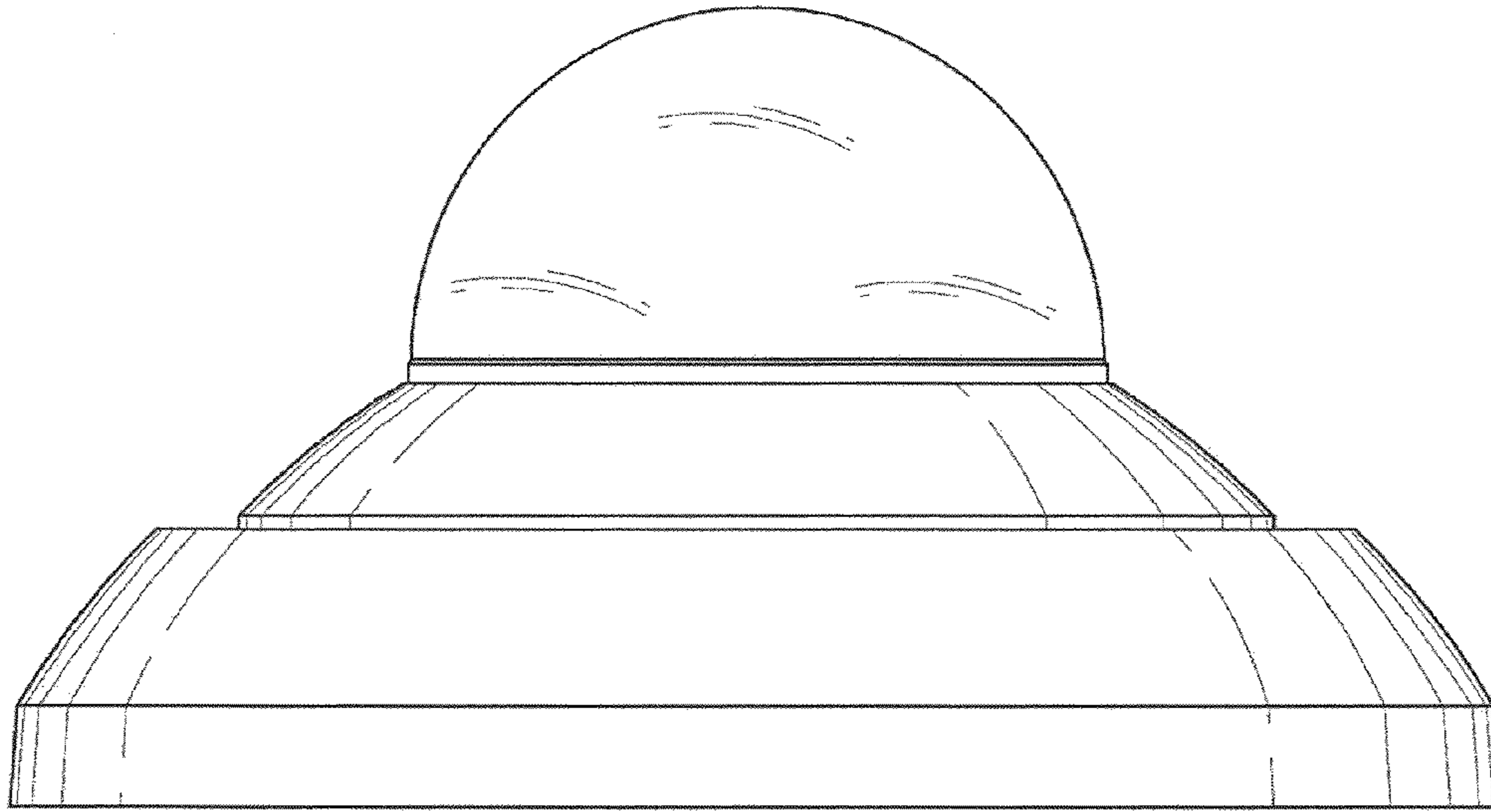


FIG. 5

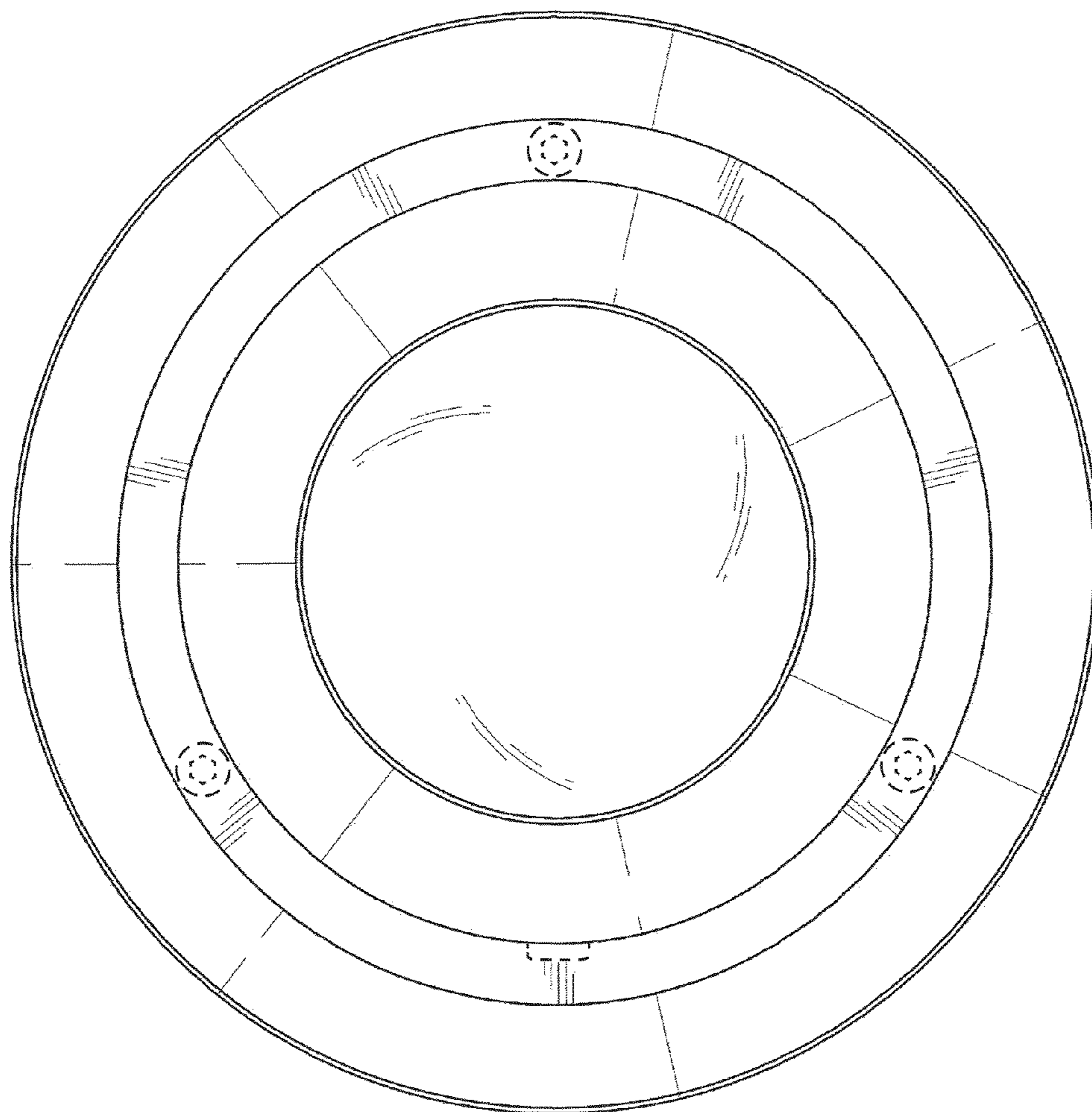


FIG. 6

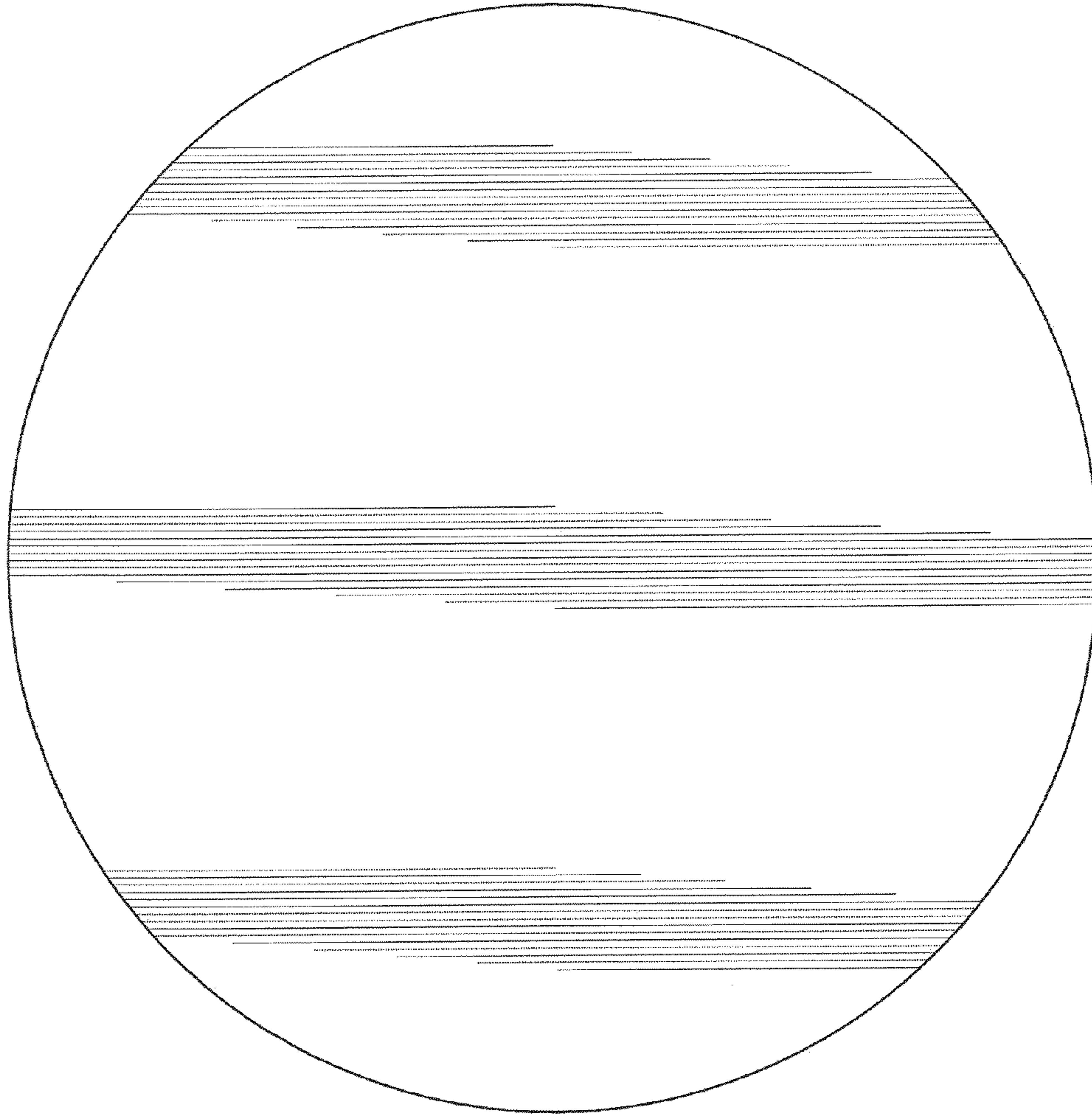


FIG. 7