



US00D688719S

(12) **United States Design Patent**
Imai

(10) **Patent No.:** **US D688,719 S**
(45) **Date of Patent:** **** Aug. 27, 2013**

(54) **ELECTRONIC CAMERA**

(75) Inventor: **Masazumi Imai**, Minato-ku (JP)

(73) Assignee: **FUJIFILM Corporation**, Tokyo (JP)

(**) Term: **14 Years**

(21) Appl. No.: **29/423,408**

(22) Filed: **May 31, 2012**

(30) **Foreign Application Priority Data**

Dec. 1, 2011 (JP) 2011-027901

(51) **LOC (9) Cl.** **16-01**

(52) **U.S. Cl.**
USPC **D16/202**

(58) **Field of Classification Search**
USPC D16/200, 202, 204, 206, 208, 218;
348/373-376; 358/909.1; 396/535-541
See application file for complete search history.

(56) **References Cited**

U.S. PATENT DOCUMENTS

D572,285 S * 7/2008 Kuroda D16/202
D591,781 S * 5/2009 Matsuda D16/202
D593,143 S * 5/2009 Kuroda D16/202

D607,478 S * 1/2010 Tainaka D16/202
D610,180 S * 2/2010 Tainaka D16/202
D629,824 S * 12/2010 Takahashi D16/202
D633,542 S * 3/2011 Tajima D16/202

* cited by examiner

Primary Examiner — Adir Aronovich

(74) *Attorney, Agent, or Firm* — Sughrue Mion, PLLC

(57) **CLAIM**

The ornamental design for an electronic camera, as shown and described.

DESCRIPTION

FIG. 1 is a top, front and right side perspective view of an electronic camera showing my new design;
FIG. 2 is a top, rear and left side perspective view thereof;
FIG. 3 is a front elevational view thereof;
FIG. 4 is a rear elevational view thereof;
FIG. 5 is a top plan view thereof;
FIG. 6 is a bottom plan view thereof;
FIG. 7 is a left side elevational view thereof;
FIG. 8 is a right side elevational view thereof;
FIG. 9 is a right side elevational view thereof with a lens protruded; and,
FIG. 10 is a top, front and right side perspective view thereof with a lens cover closed.

1 Claim, 8 Drawing Sheets

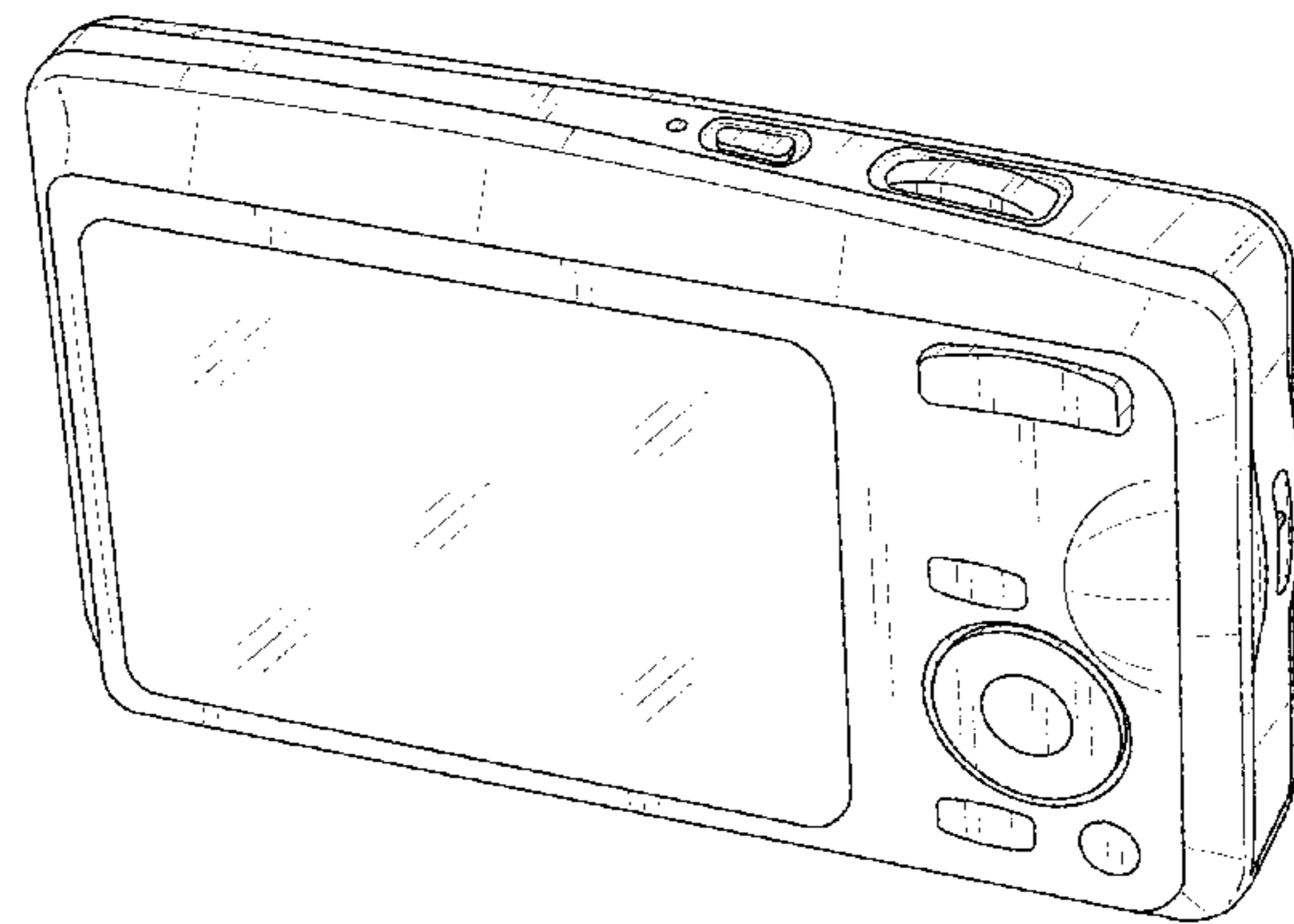
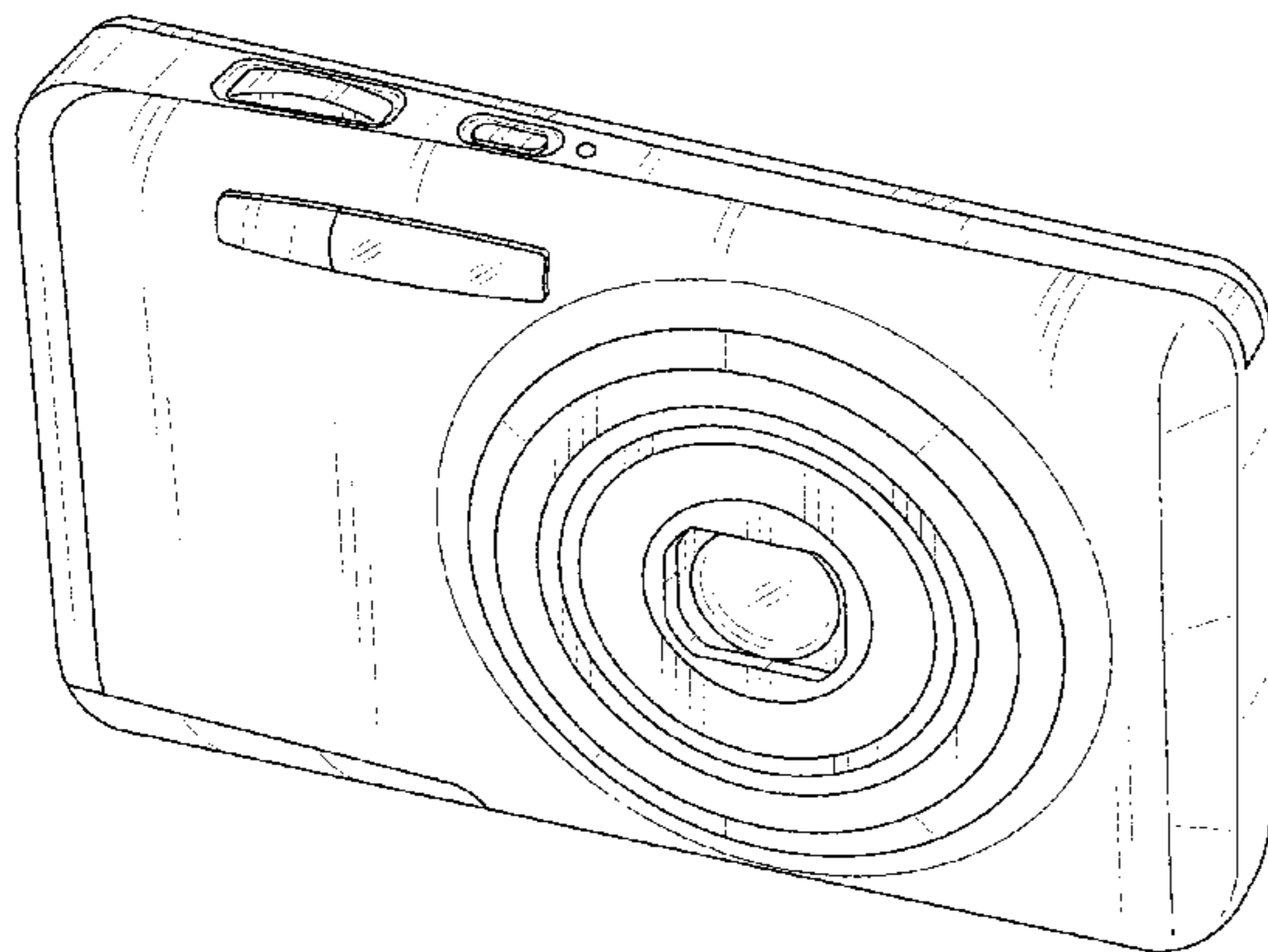


FIG.1

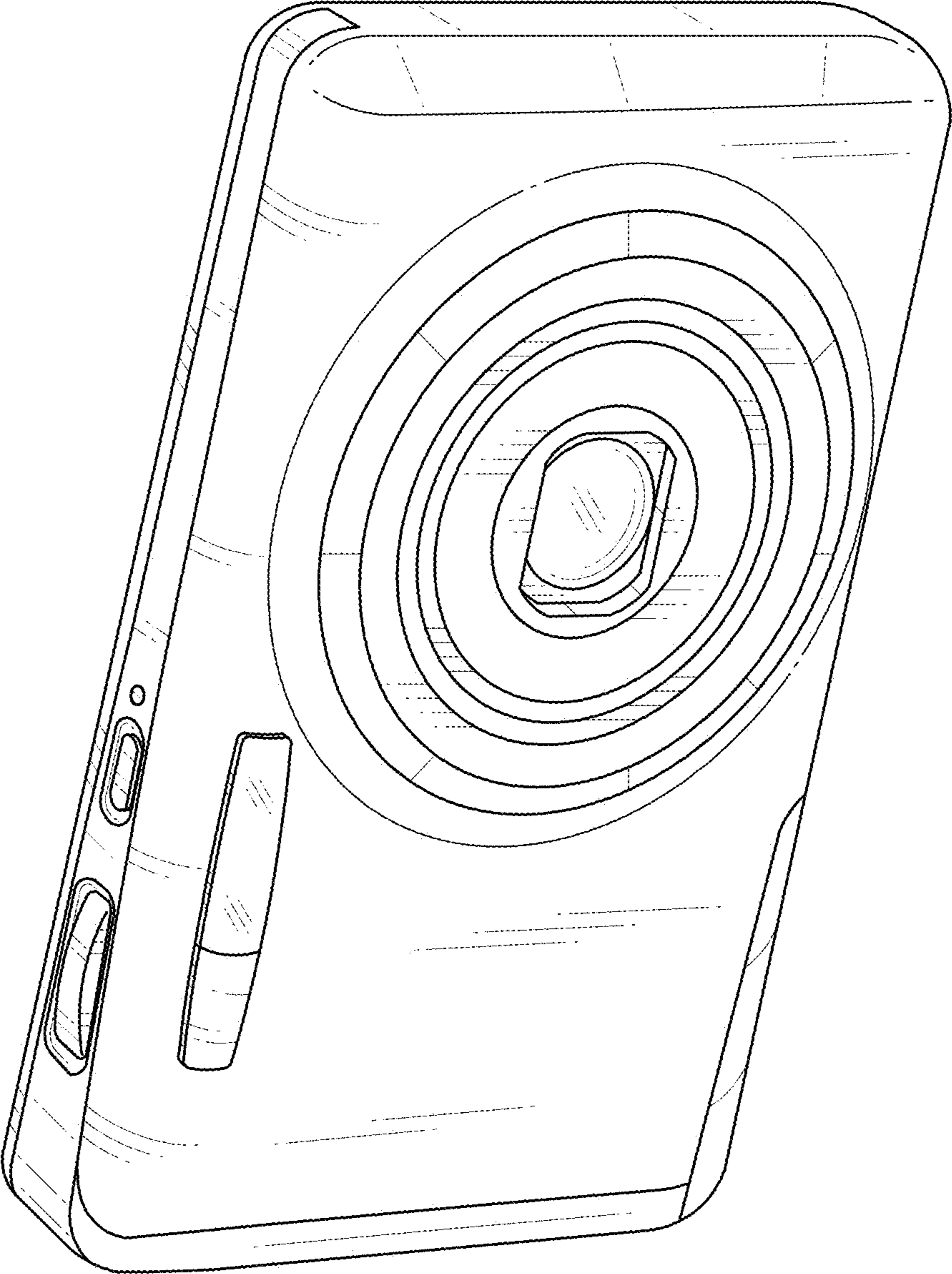


FIG.2

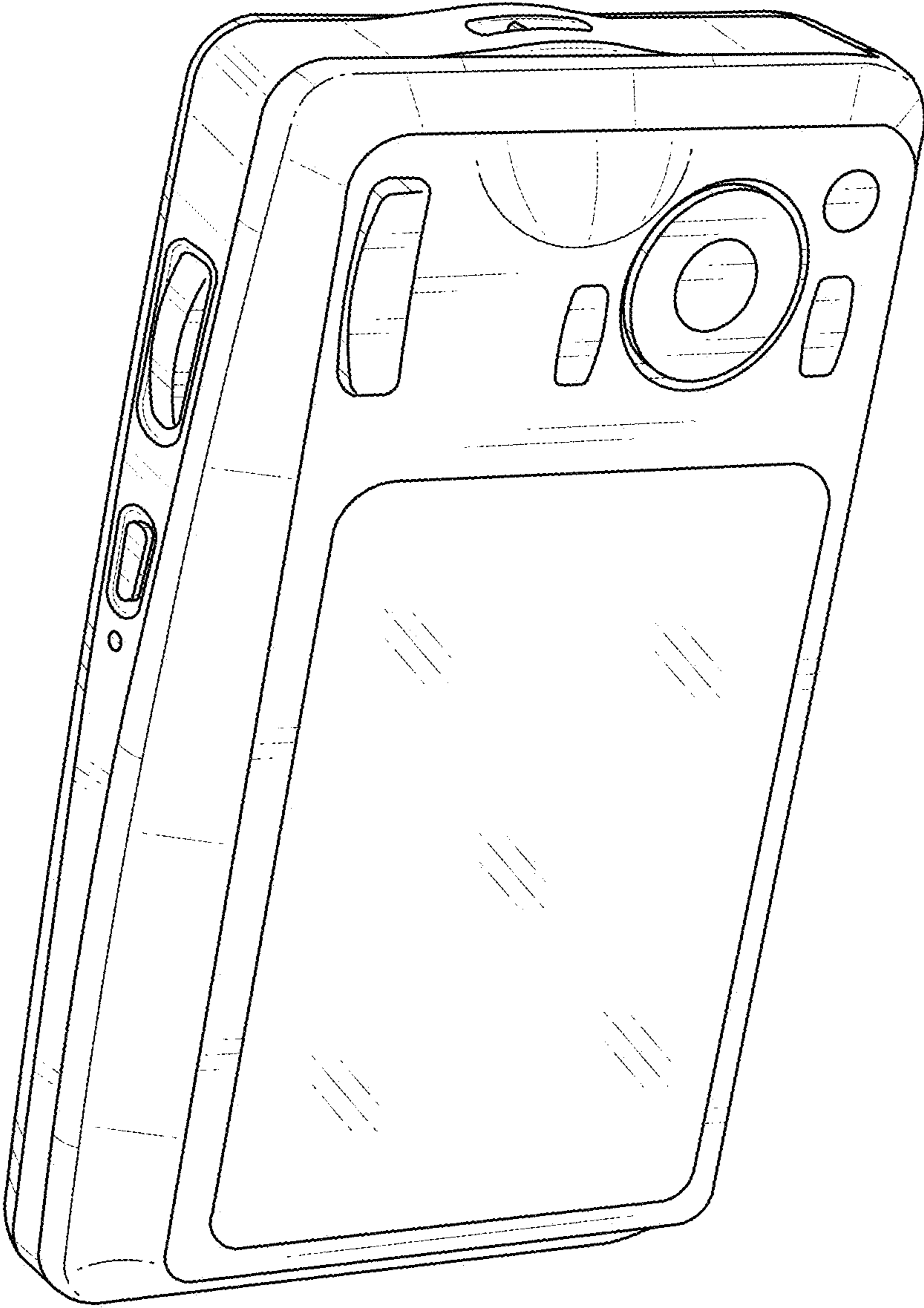


FIG.3

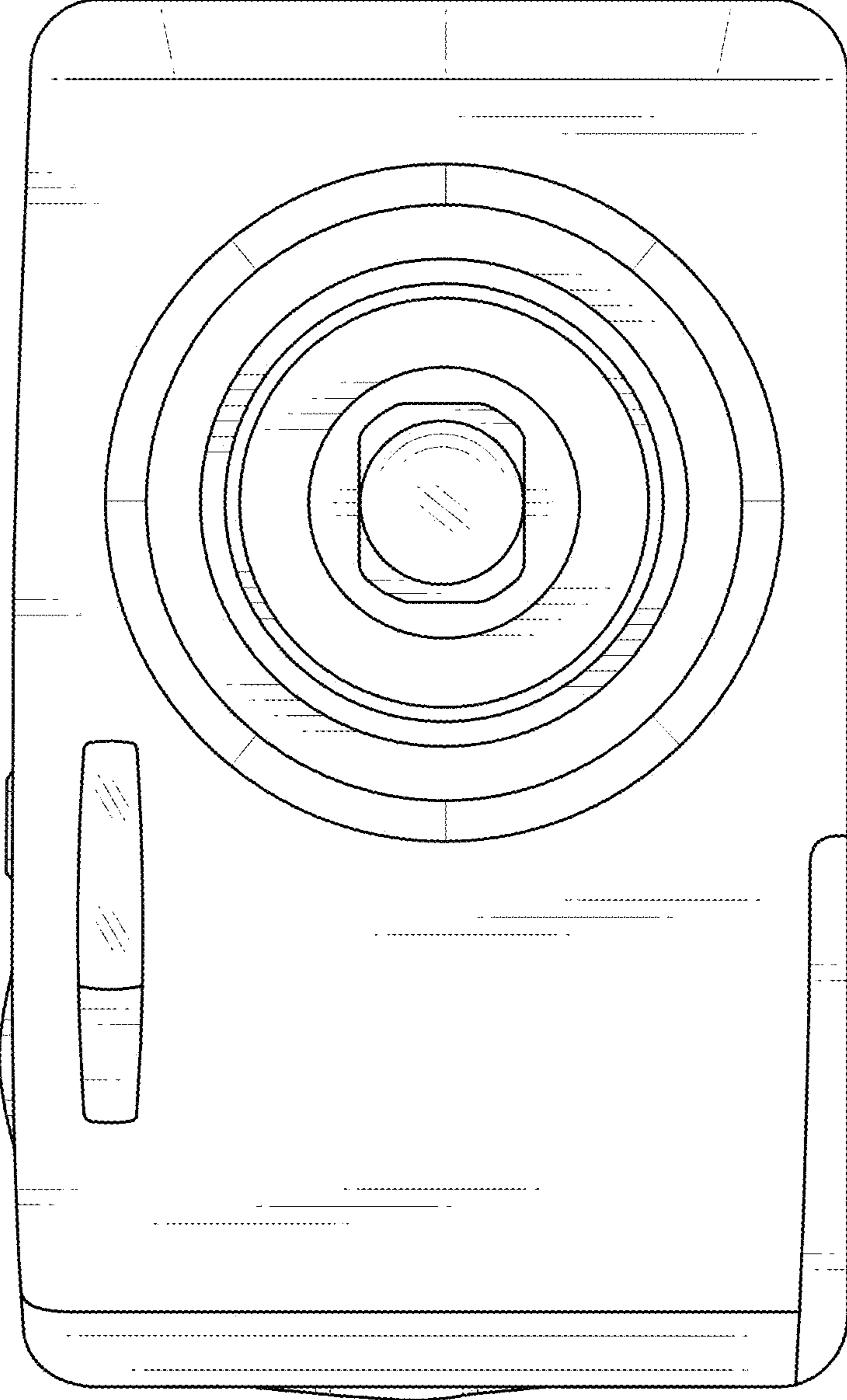


FIG. 4

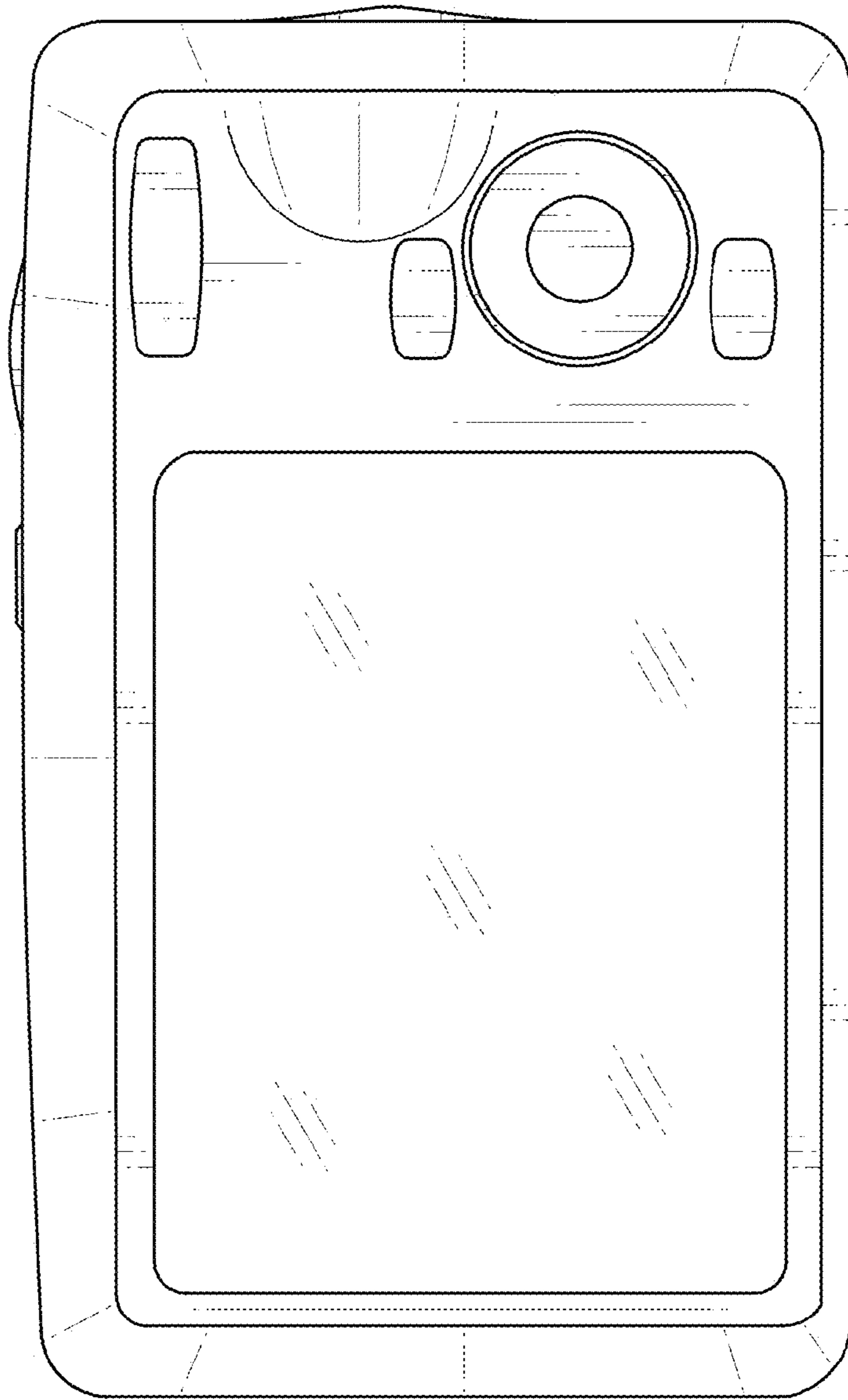


FIG.5

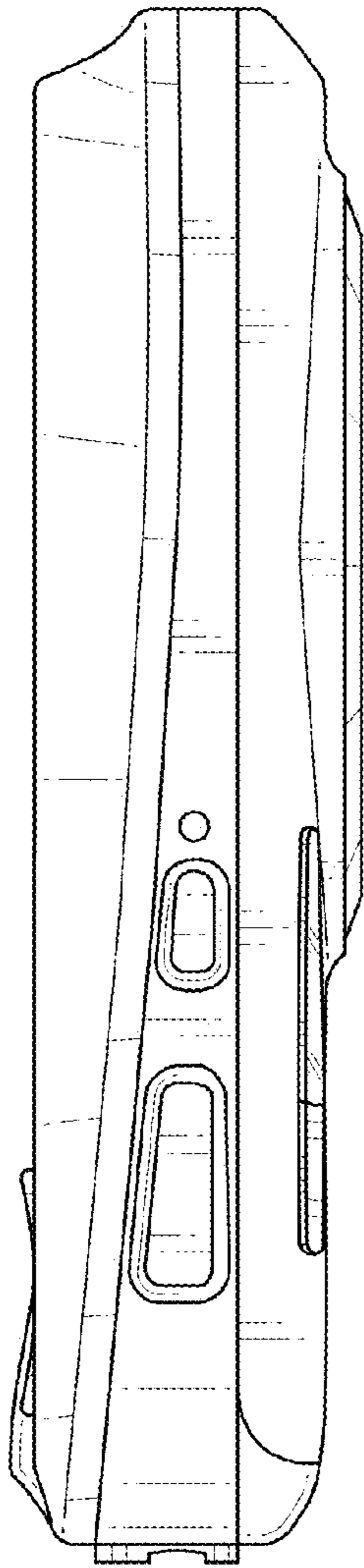


FIG.6

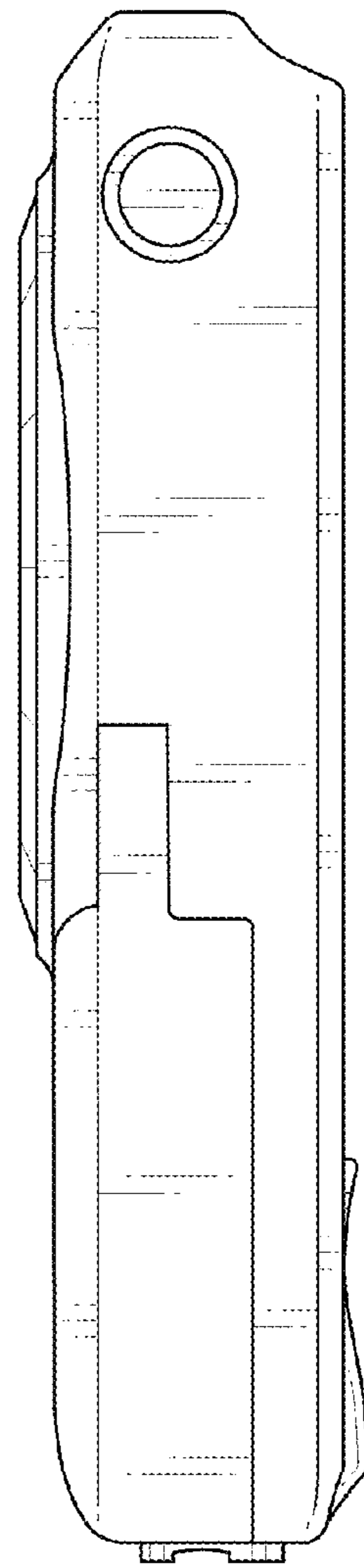


FIG. 8

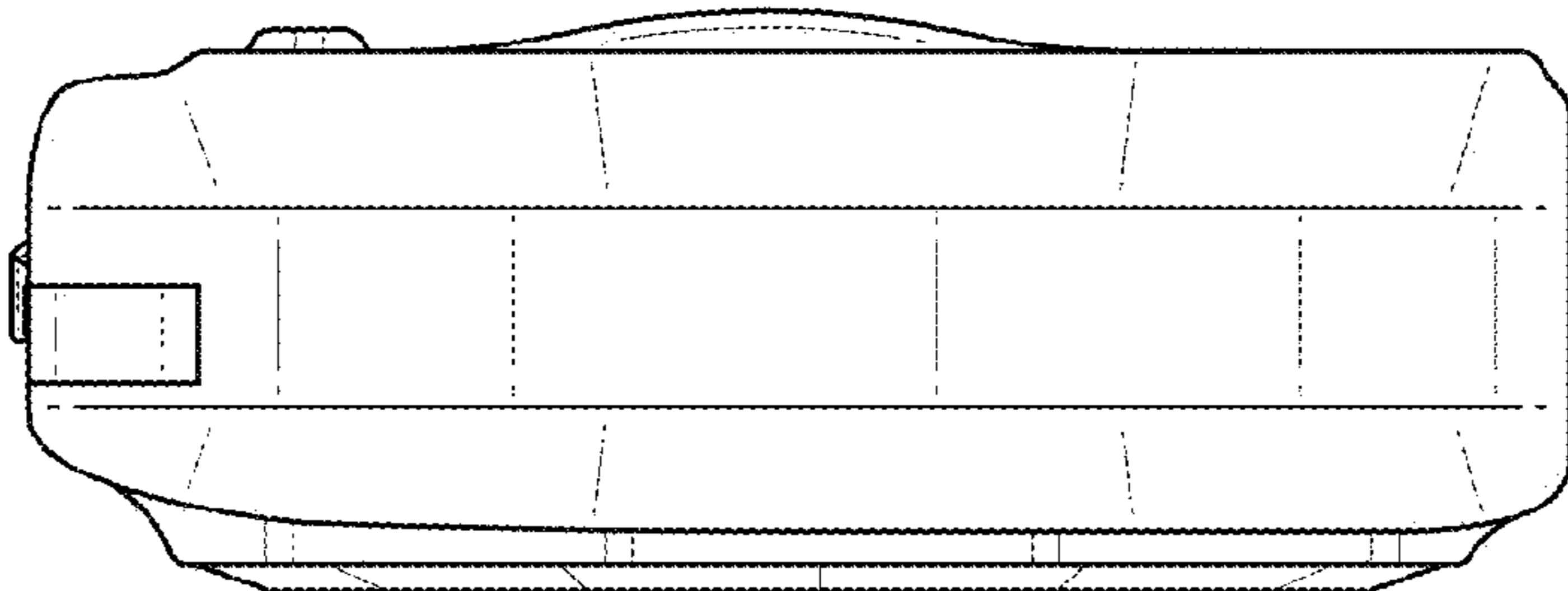


FIG. 7

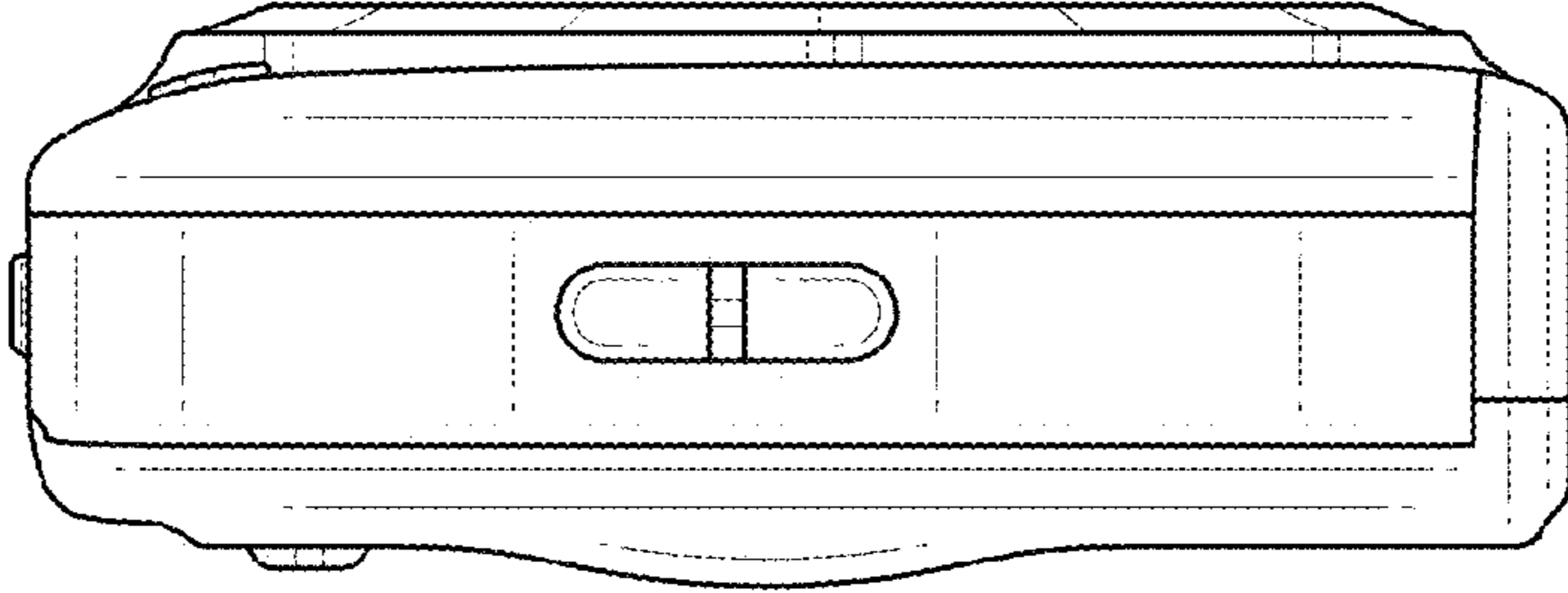


FIG. 9

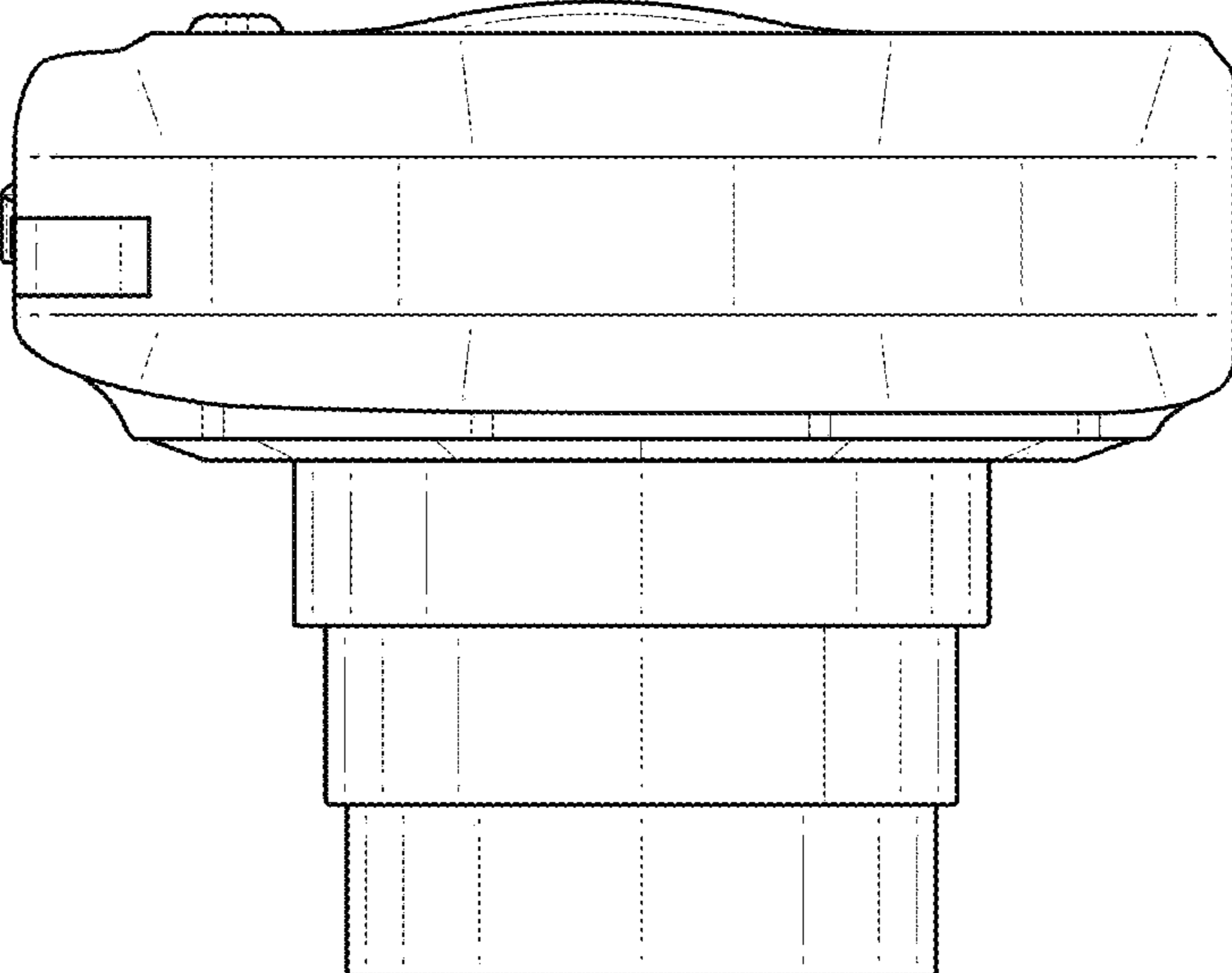


FIG.10

