



US00D688718S

(12) **United States Design Patent**
Tsai

(10) **Patent No.:** **US D688,718 S**

(45) **Date of Patent:** **** Aug. 27, 2013**

(54) **ELECTRONIC CAMERA**

(75) Inventor: **James Iming Tsai**, Redmond, WA (US)

(73) Assignee: **Microsoft Corporation**, Redmond, WA (US)

(**) Term: **14 Years**

(21) Appl. No.: **29/415,008**

(22) Filed: **Mar. 6, 2012**

(51) **LOC (9) Cl.** **16-01**

(52) **U.S. Cl.**
USPC **D16/202**

(58) **Field of Classification Search**
USPC D16/200, 202, 203, 208, 218, 242;
348/373; 396/419, 427, 535
See application file for complete search history.

D664,579 S * 7/2012 Tzeng D16/202
D665,441 S * 8/2012 McManigal D16/218
D669,111 S 10/2012 Ravi et al.
D675,660 S * 2/2013 Su D16/202

OTHER PUBLICATIONS

U.S. Appl. No. 29/415,000, filed Mar. 6, 2012.
U.S. Appl. No. 29/415,002, filed Mar. 6, 2012.
U.S. Appl. No. 29/415,005, filed Mar. 6, 2012.
U.S. Appl. No. 29/415,010, filed Mar. 6, 2012.
U.S. Appl. No. 29/415,012, filed Mar. 6, 2012.

* cited by examiner

Primary Examiner — Adir Aronovich

(74) *Attorney, Agent, or Firm* — Banner & Witcoff, Ltd.

(57) **CLAIM**

The ornamental design for an electronic camera, as shown and described.

(56) **References Cited**

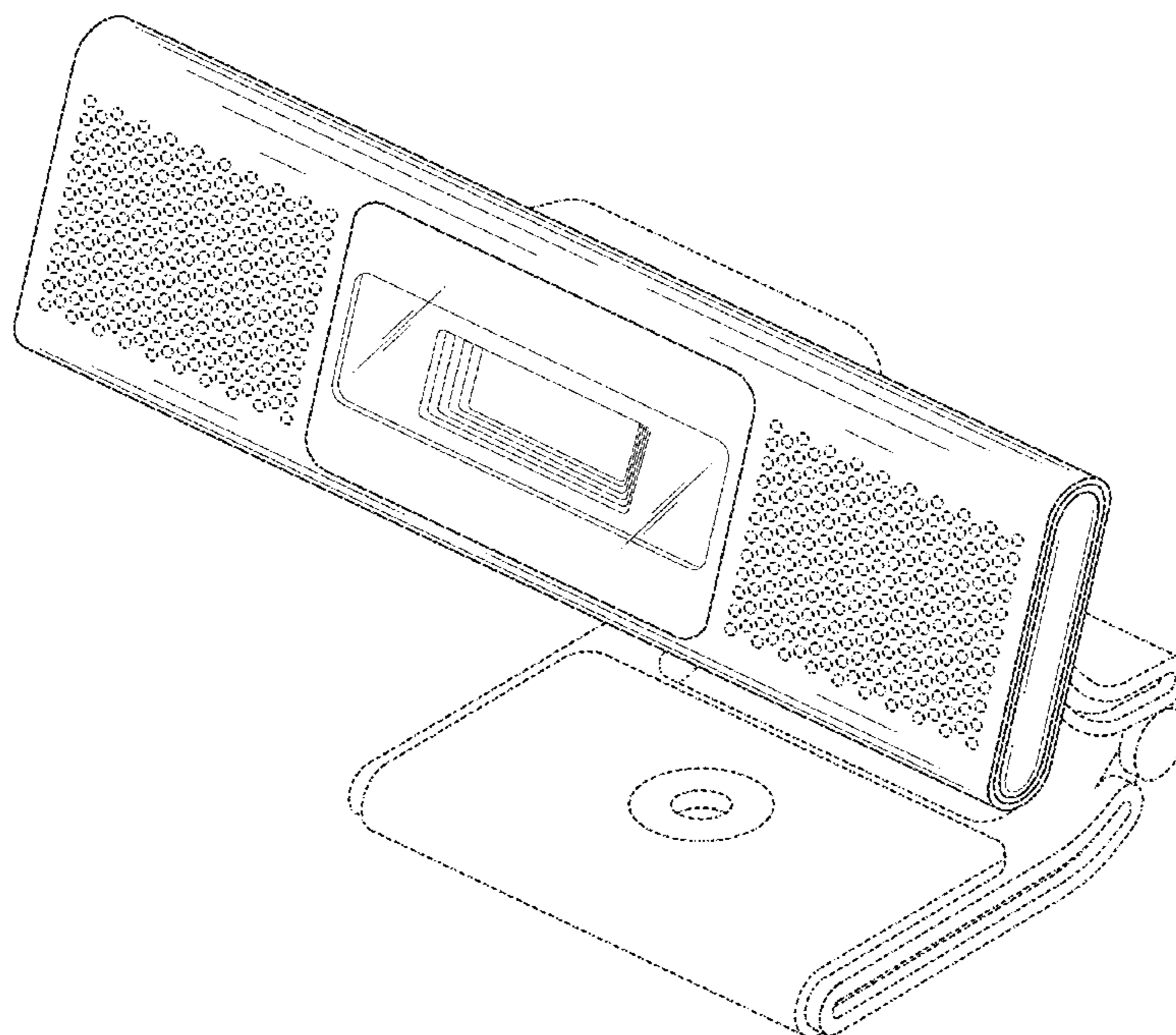
U.S. PATENT DOCUMENTS

D487,104 S * 2/2004 Obata D16/202
D576,649 S 9/2008 Kim
D581,960 S 12/2008 Kim et al.
D600,730 S 9/2009 Su
D612,882 S 3/2010 Kim et al.
D619,484 S 7/2010 Ikeda et al.
D629,031 S * 12/2010 Su et al. D16/202
D631,079 S 1/2011 Tzeng
D632,718 S 2/2011 Tzeng
D641,388 S * 7/2011 Shih et al. D16/202
D647,934 S 11/2011 Raken et al.
D654,942 S * 2/2012 Khamsepoor et al. D16/242
D662,532 S * 6/2012 Chang D16/202

DESCRIPTION

FIG. 1 is a front and right side perspective view of an electronic camera showing my new design;
FIG. 2 is a front elevational view thereof;
FIG. 3 is a rear elevational view thereof;
FIG. 4 is a left side elevational view thereof;
FIG. 5 is a right side elevational view thereof;
FIG. 6 is a top plan view thereof; and,
FIG. 7 is a bottom plan view thereof.
The broken lines showing are for environmental purposes only and form no part of the claimed design.

1 Claim, 7 Drawing Sheets



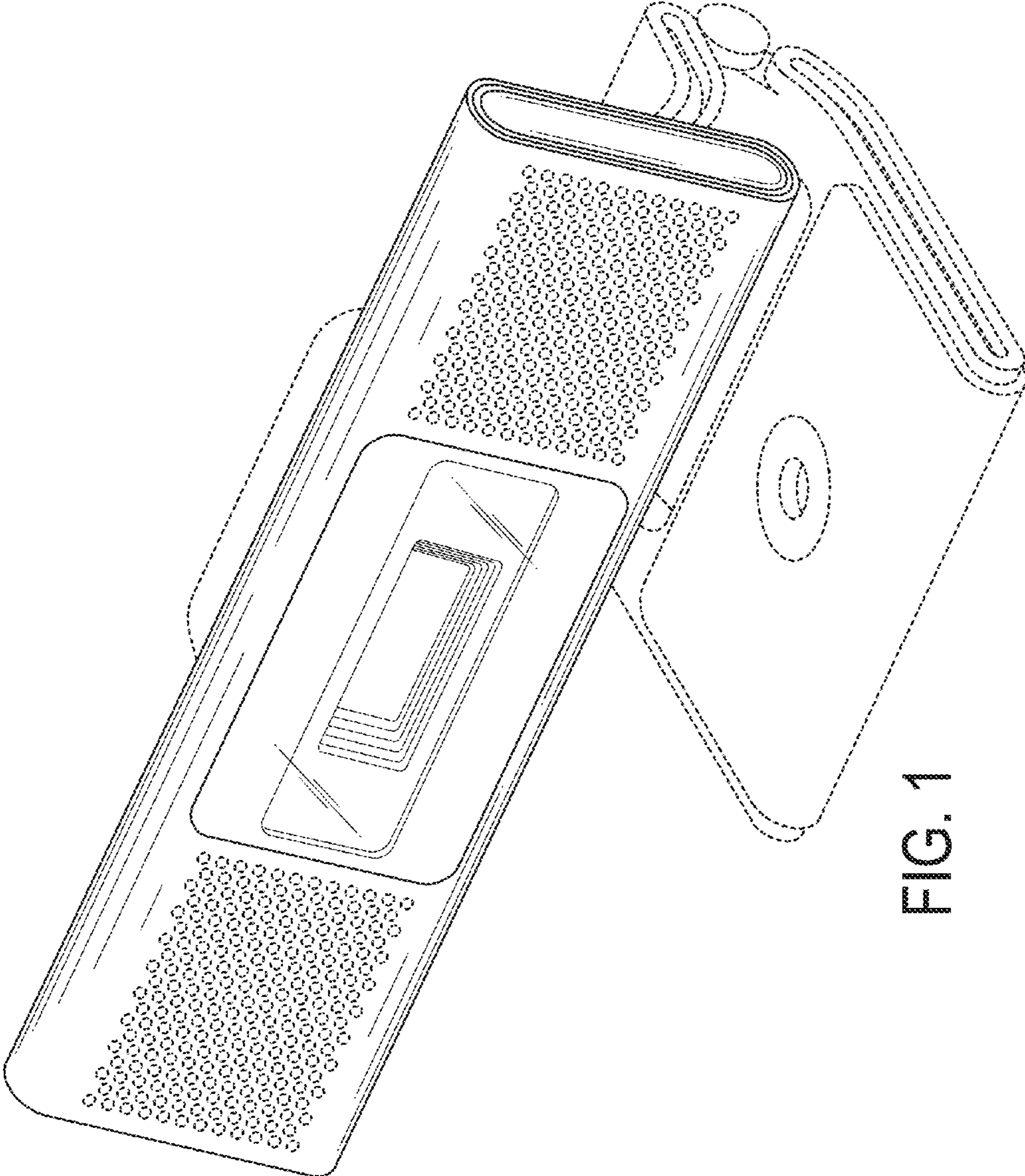


FIG. 1

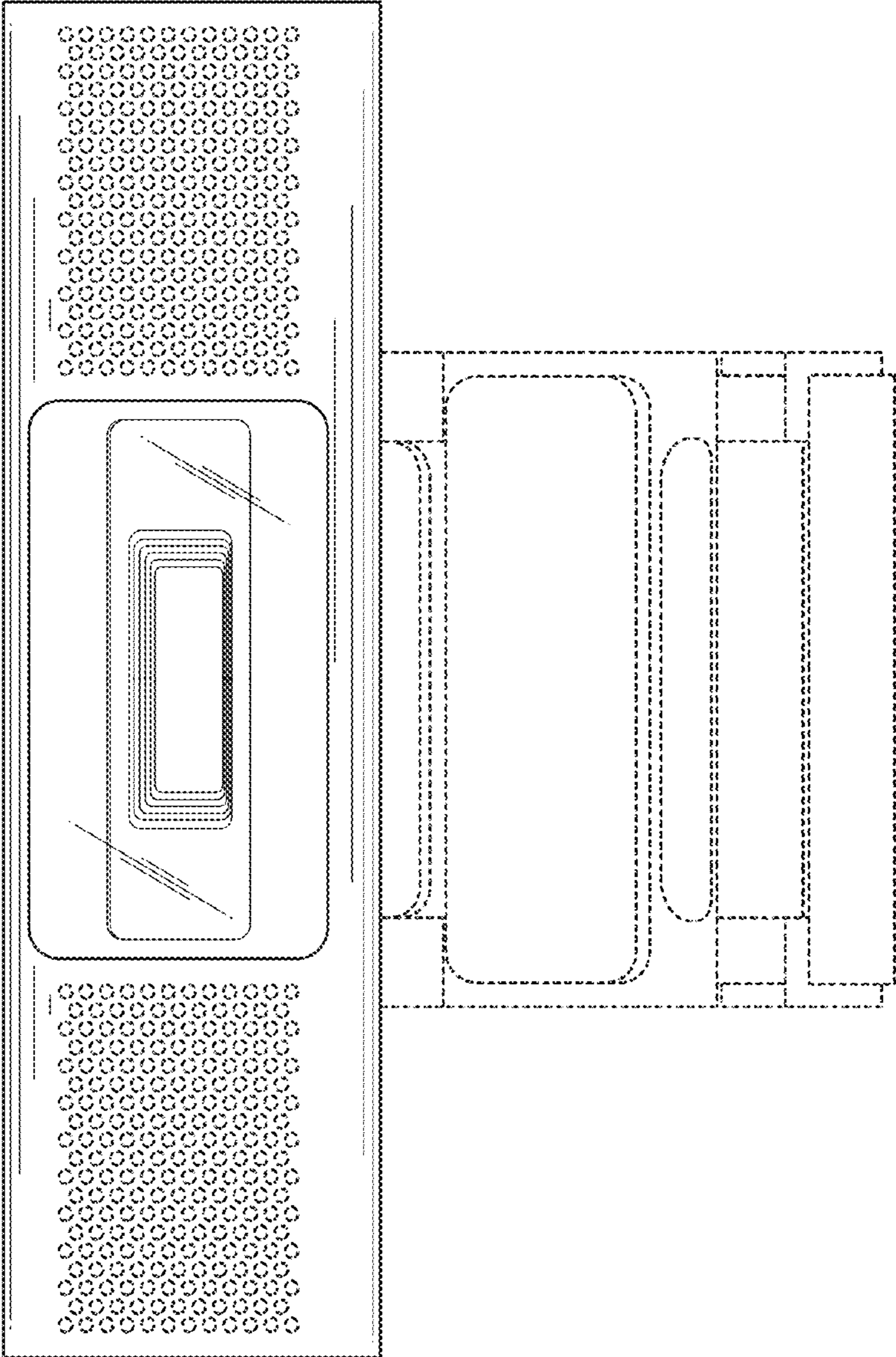


FIG. 2

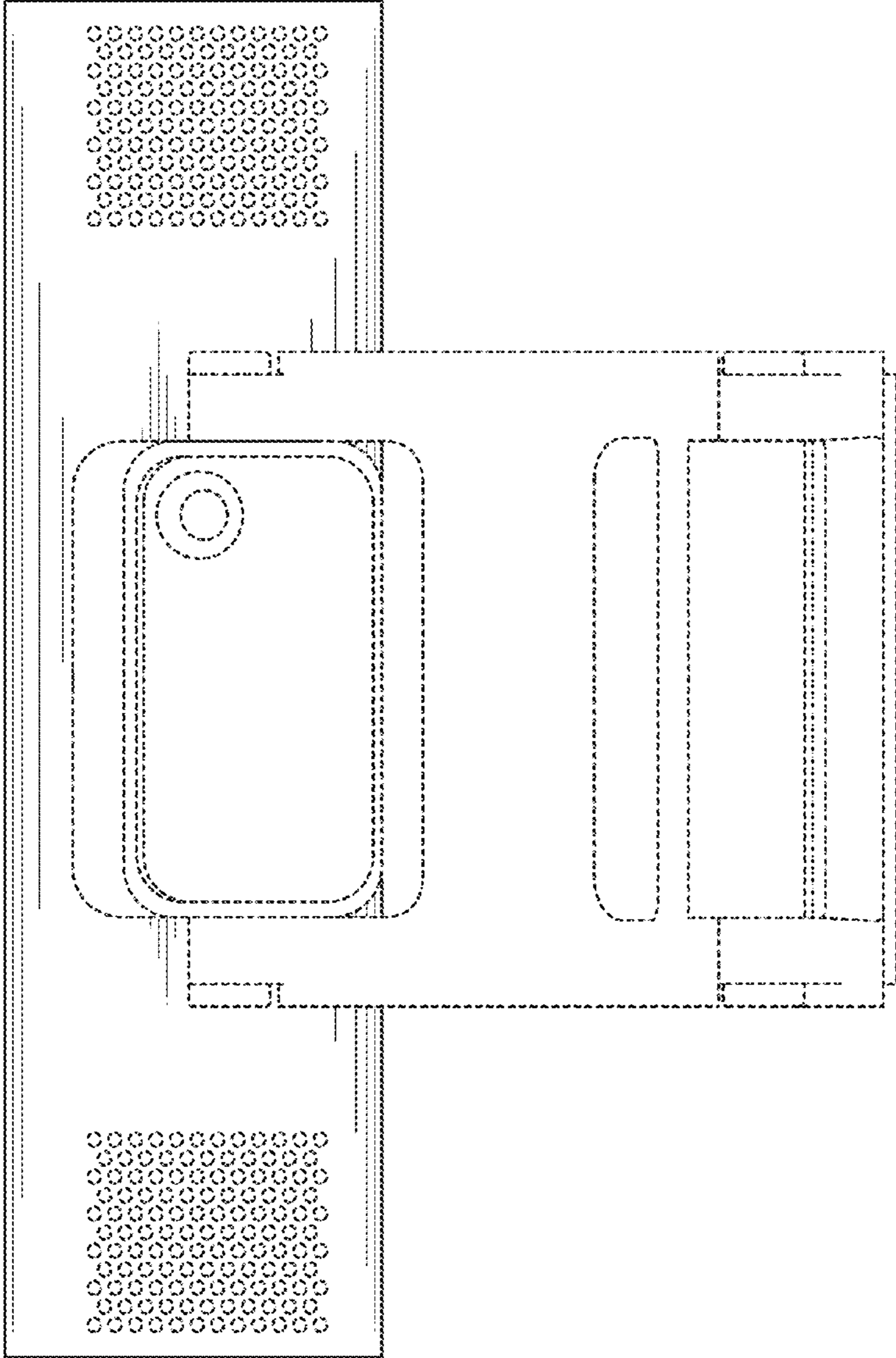


FIG. 3

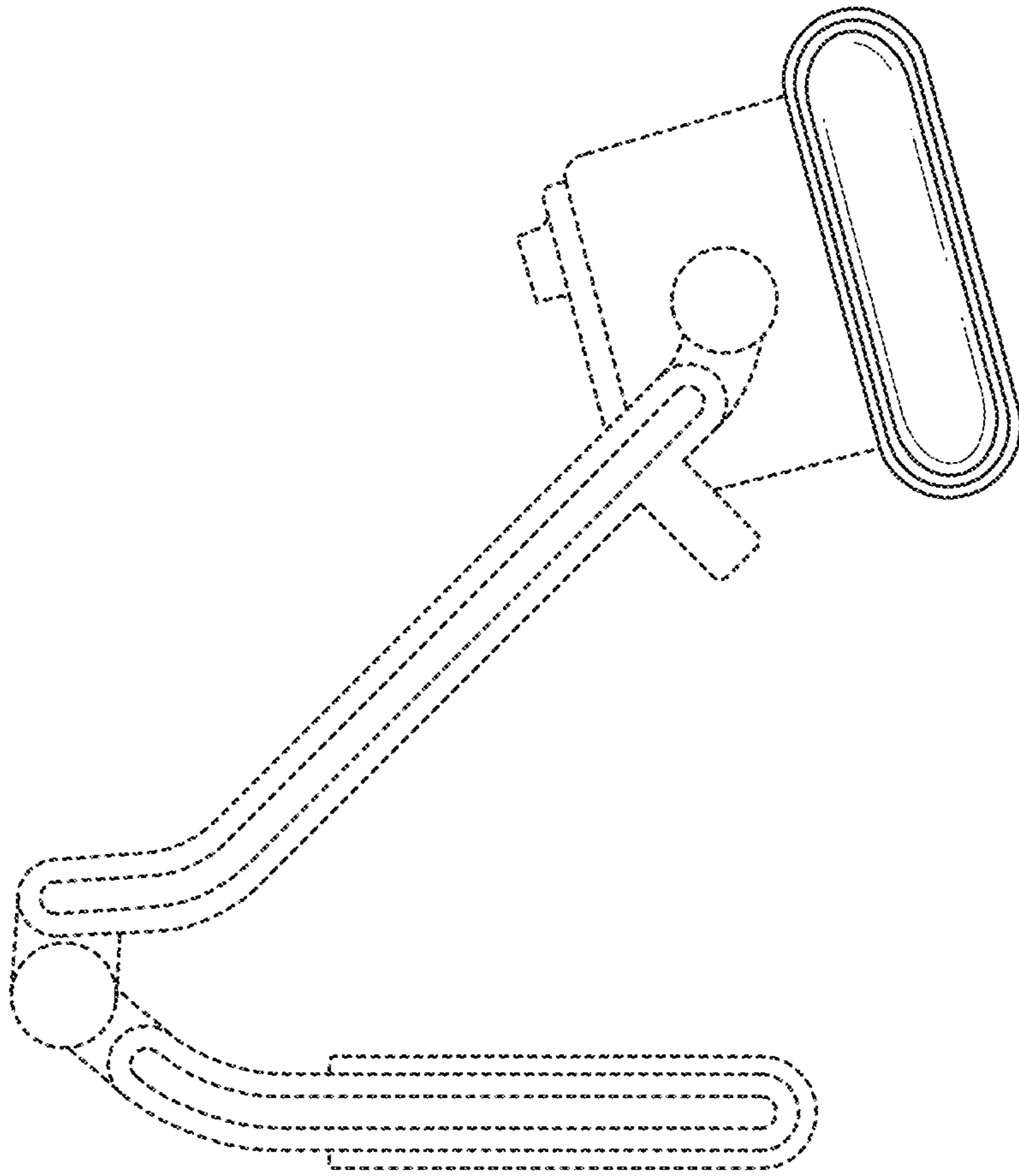


FIG. 4

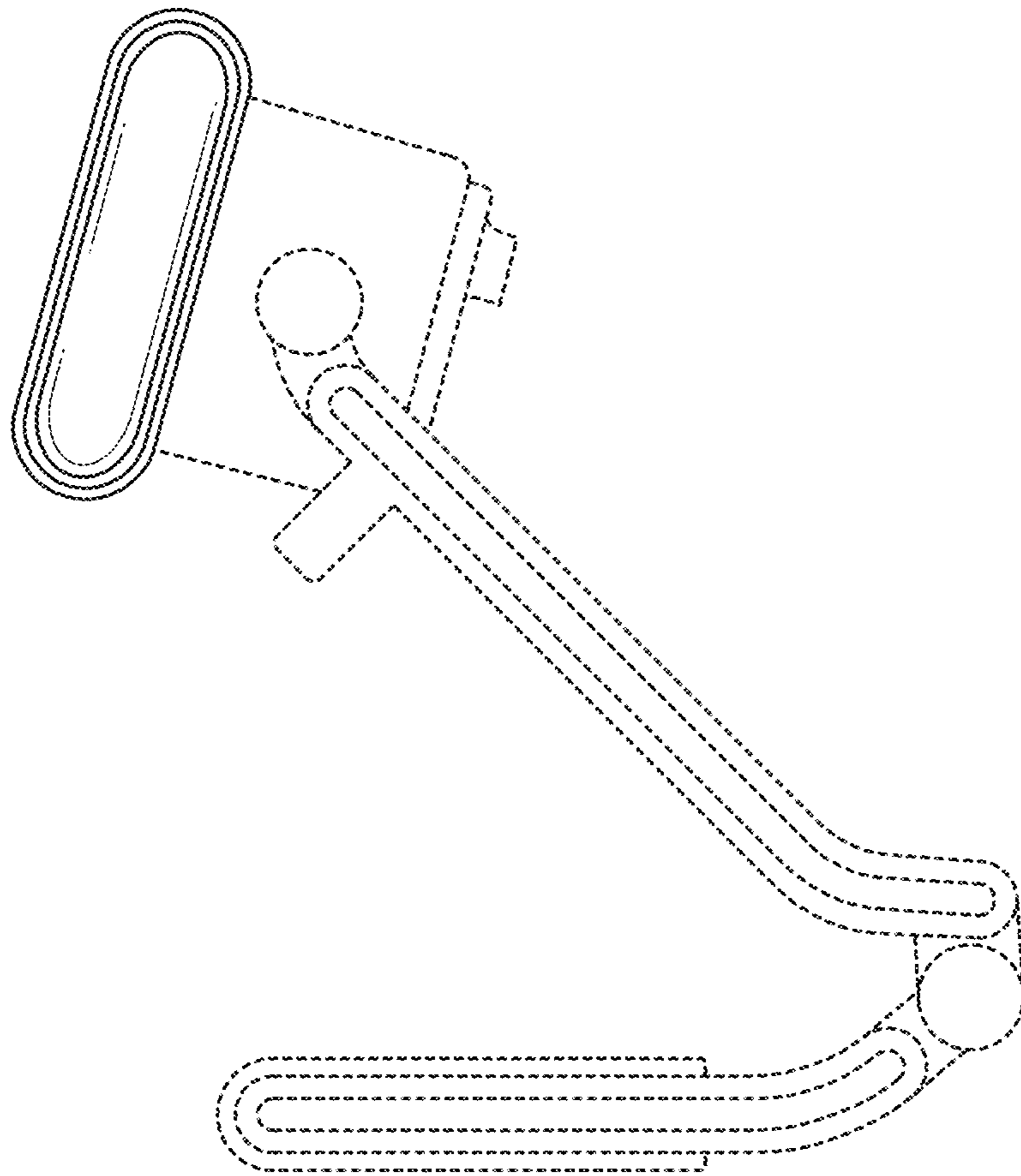


FIG. 5

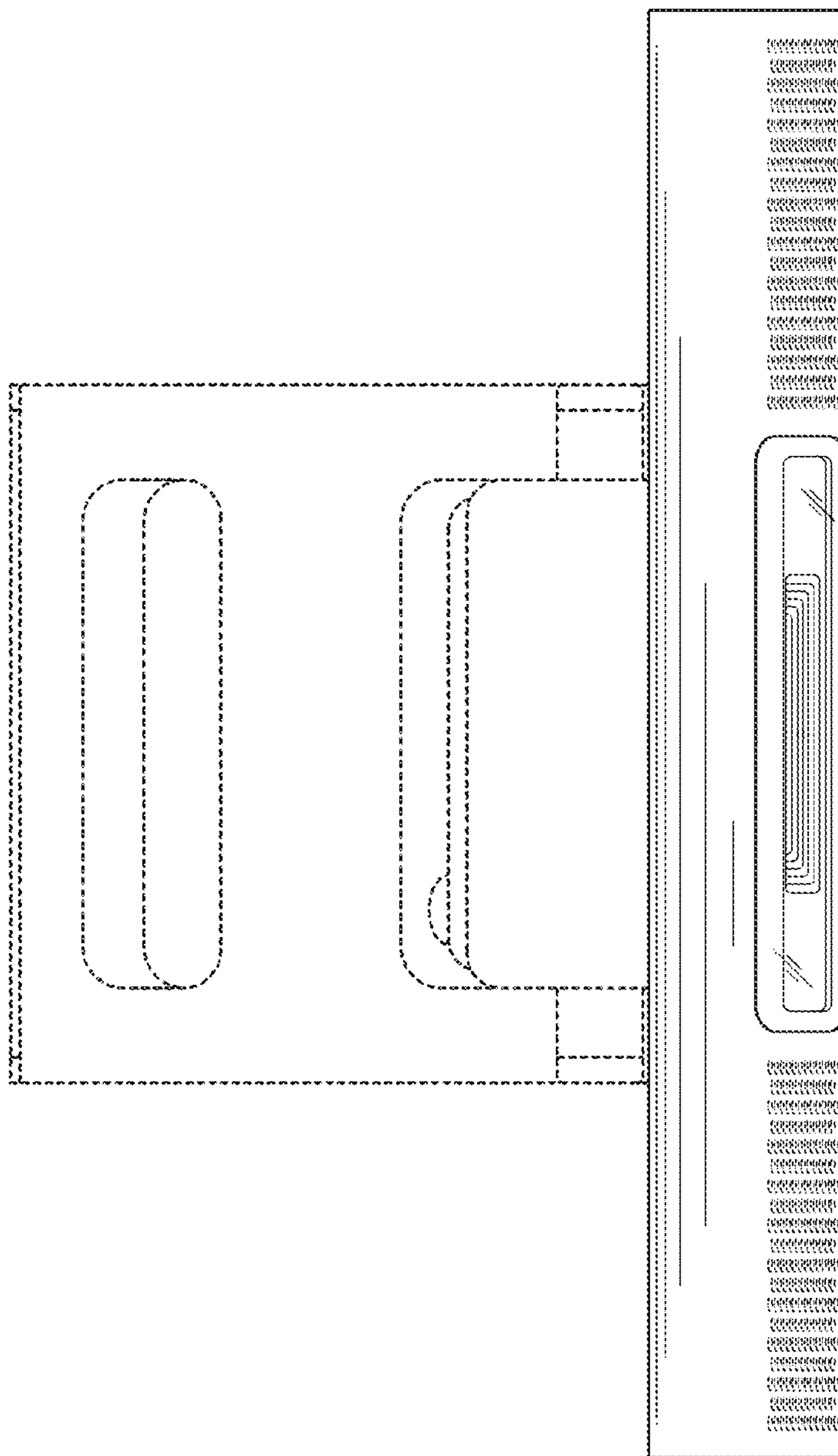


FIG. 6

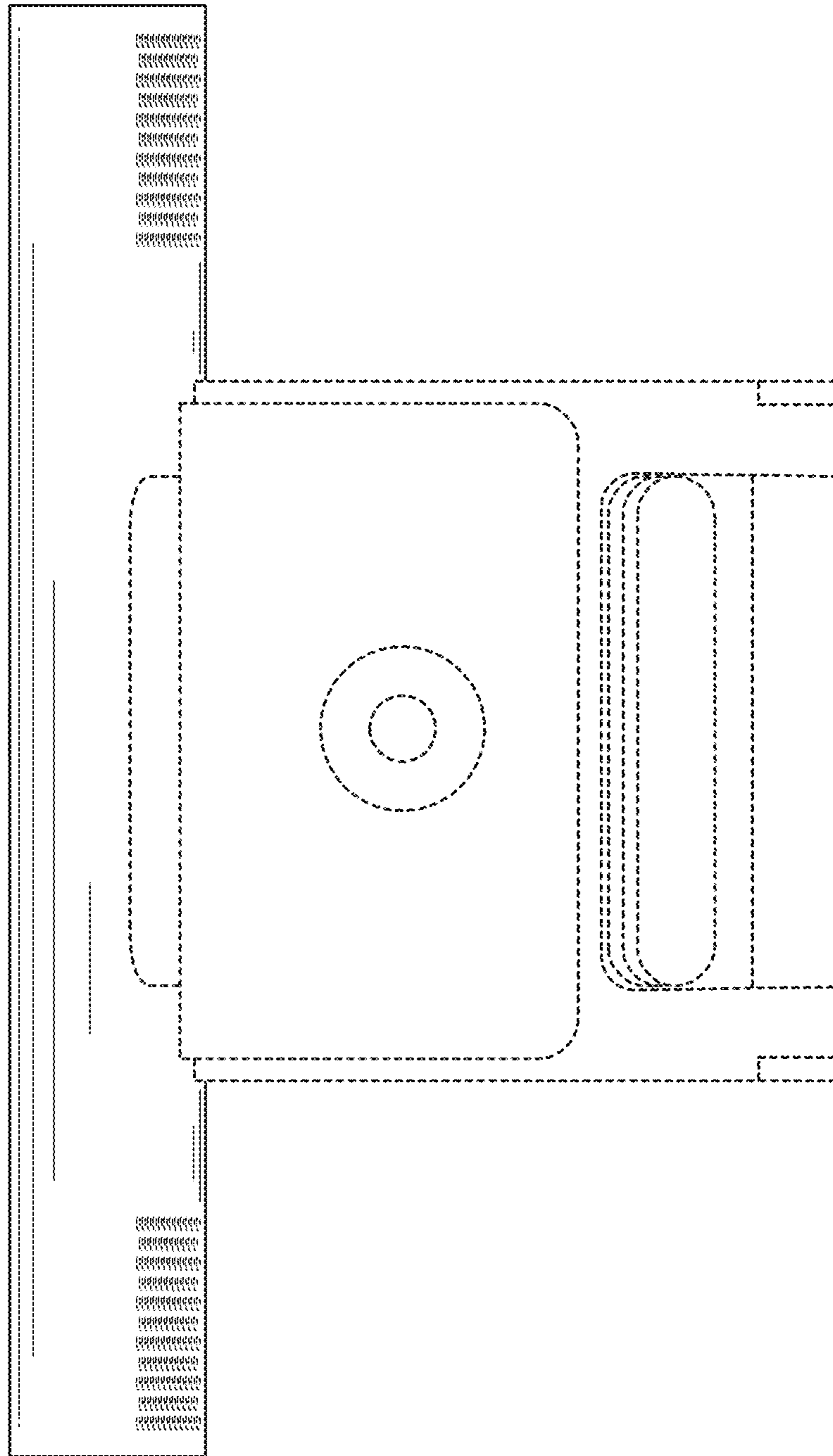


FIG. 7