



US00D688717S

(12) **United States Design Patent**  
**Tanaka**

(10) **Patent No.:** **US D688,717 S**

(45) **Date of Patent:** **\*\* Aug. 27, 2013**

(54) **DIGITAL CAMERA**

(75) Inventor: **Hiroaki Tanaka**, Tokyo (JP)

(73) Assignee: **Kabushiki Kaisha King Jim**, Tokyo (JP)

(\*\*) Term: **14 Years**

(21) Appl. No.: **29/410,382**

(22) Filed: **Jan. 6, 2012**

(30) **Foreign Application Priority Data**

Jul. 26, 2011 (JP) ..... 2011-017050

(51) **LOC (9) Cl.** ..... **16-01**

(52) **U.S. Cl.**  
USPC ..... **D16/202**

(58) **Field of Classification Search**  
USPC ..... D16/200, 201, 202, 203, 204, 205,  
D16/206, 207, 208, 210, 215, 219, 220, 221,  
D16/222, 250; D24/107, 133, 137, 138,  
D24/169, 186; D14/203.1, 203.2, 203.3;  
D10/78; 348/36, 42, 44, 46, 47, 48, 51, 139,  
348/164, 261, 262, 326, 327, 328, 362; 396/6,  
396/25, 433, 535, 536, 537, 538, 539, 540,  
396/541; 382/103, 106, 154  
See application file for complete search history.

(56) **References Cited**

**U.S. PATENT DOCUMENTS**

D160,300 S *	10/1950	Chapman	.....	D16/200
D389,501 S *	1/1998	Mascarenas et al.	.....	D16/202
D396,240 S *	7/1998	Hasegawa	.....	D16/202
D429,269 S *	8/2000	Renkis	.....	D16/203
D491,594 S *	6/2004	Senda	.....	D16/219
D501,494 S *	2/2005	Ogura	.....	D16/202
D518,843 S *	4/2006	Tullberg et al.	.....	D16/218
D527,403 S *	8/2006	Byun et al.	.....	D16/202
D527,754 S *	9/2006	Chou	.....	D16/202

7,154,544 B2 *	12/2006	Kowno et al.	.....	348/240.99
D537,094 S *	2/2007	Lee	.....	D16/202
D543,175 S *	5/2007	Park et al.	.....	D14/138 AB
D545,705 S *	7/2007	Voegel	.....	D10/81
7,342,604 B2 *	3/2008	Kito et al.	.....	348/231.2
7,362,367 B2 *	4/2008	Soga	.....	348/333.03
D594,047 S *	6/2009	Lee	.....	D16/202
D604,259 S *	11/2009	Kim	.....	D14/138 AB
D606,659 S *	12/2009	Kiani et al.	.....	D24/186
D628,915 S *	12/2010	Faulkner et al.	.....	D10/78
D635,606 S *	4/2011	Han et al.	.....	D16/218
D646,259 S *	10/2011	Daniel	.....	D14/155
D646,787 S *	10/2011	Presta et al.	.....	D24/169
D658,149 S *	4/2012	Choi et al.	.....	D14/138 AB
D664,177 S *	7/2012	Oikawa et al.	.....	D16/202
D670,812 S *	11/2012	Huang	.....	D24/169
2007/0296853 A1 *	12/2007	Ho	.....	348/373

\* cited by examiner

*Primary Examiner* — Philip S Hyder

*Assistant Examiner* — John T Applewhite

(74) *Attorney, Agent, or Firm* — Knobbe, Martens, Olson & Bear LLP

(57) **CLAIM**

The ornamental design for a digital camera, as shown and described.

**DESCRIPTION**

FIG. 1 is a front perspective view of a digital camera of the present invention;

FIG. 2 is a rear perspective view thereof;

FIG. 3 is a front elevational view thereof;

FIG. 4 is a rear elevational view thereof;

FIG. 5 is a left side elevational view thereof;

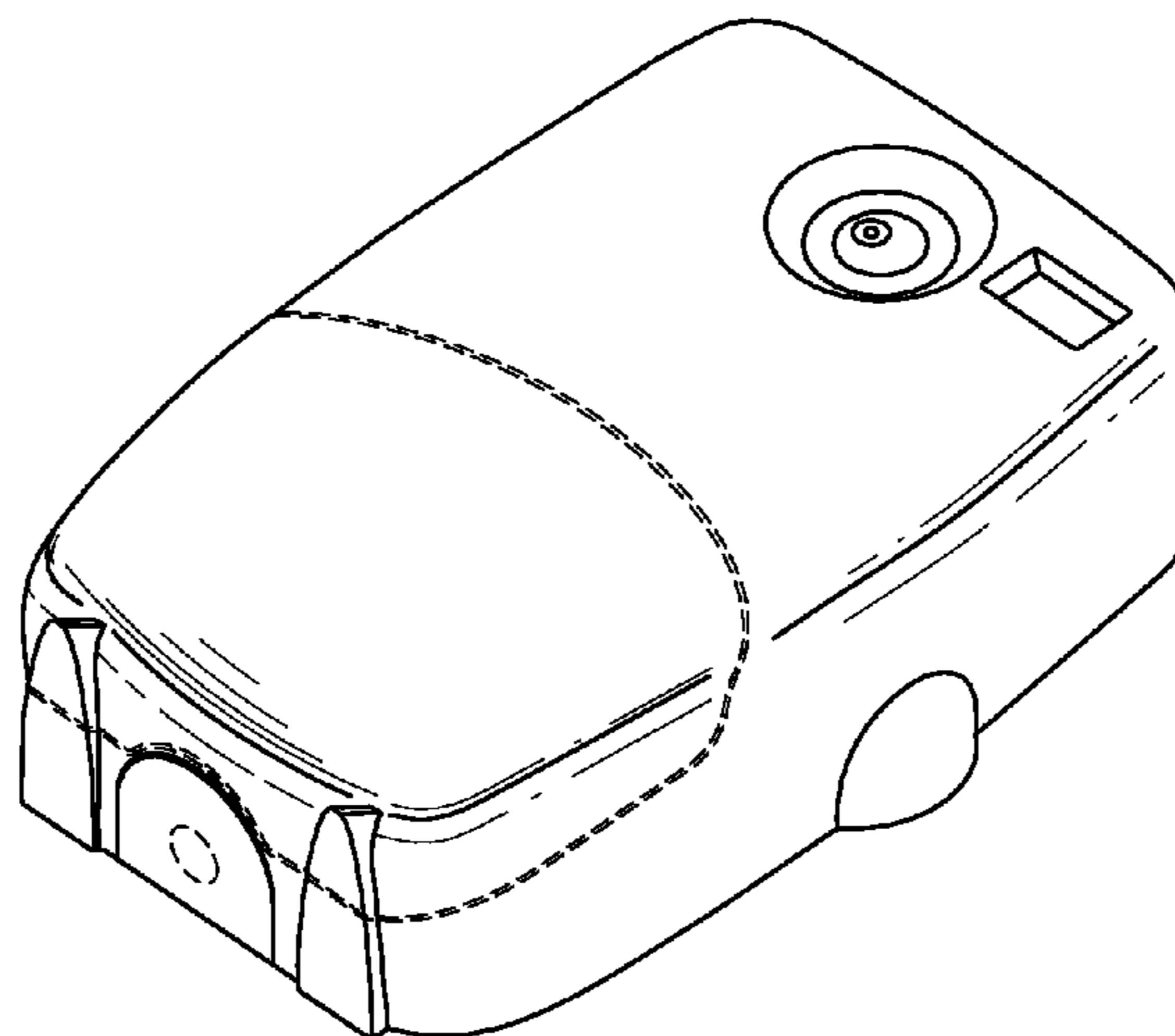
FIG. 6 is a right side elevational view thereof;

FIG. 7 is a top plan view thereof; and,

FIG. 8 is a bottom plan view thereof.

The broken lines illustrate portions of the digital camera that form no part of the claimed design.

**1 Claim, 4 Drawing Sheets**



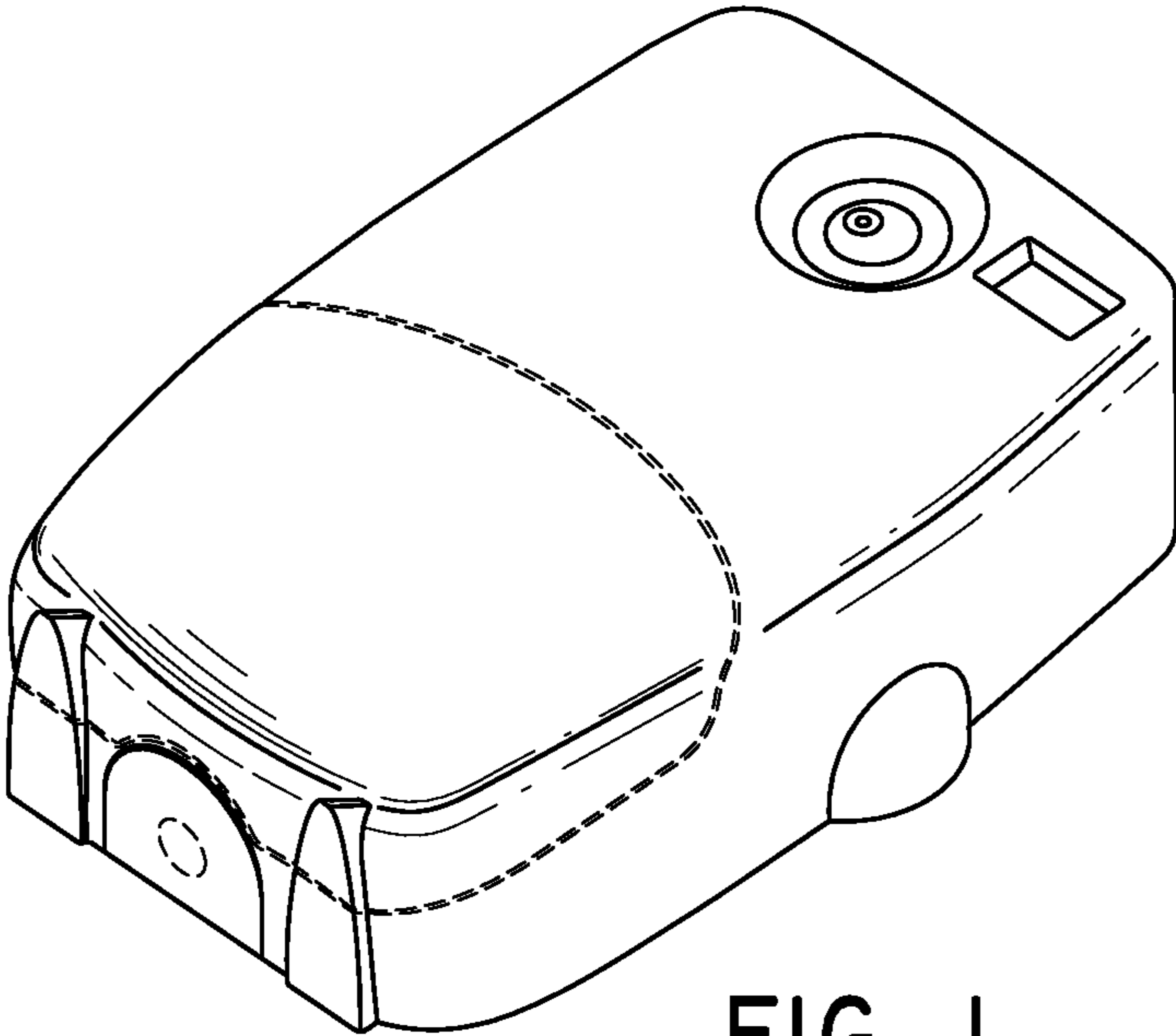


FIG. 1

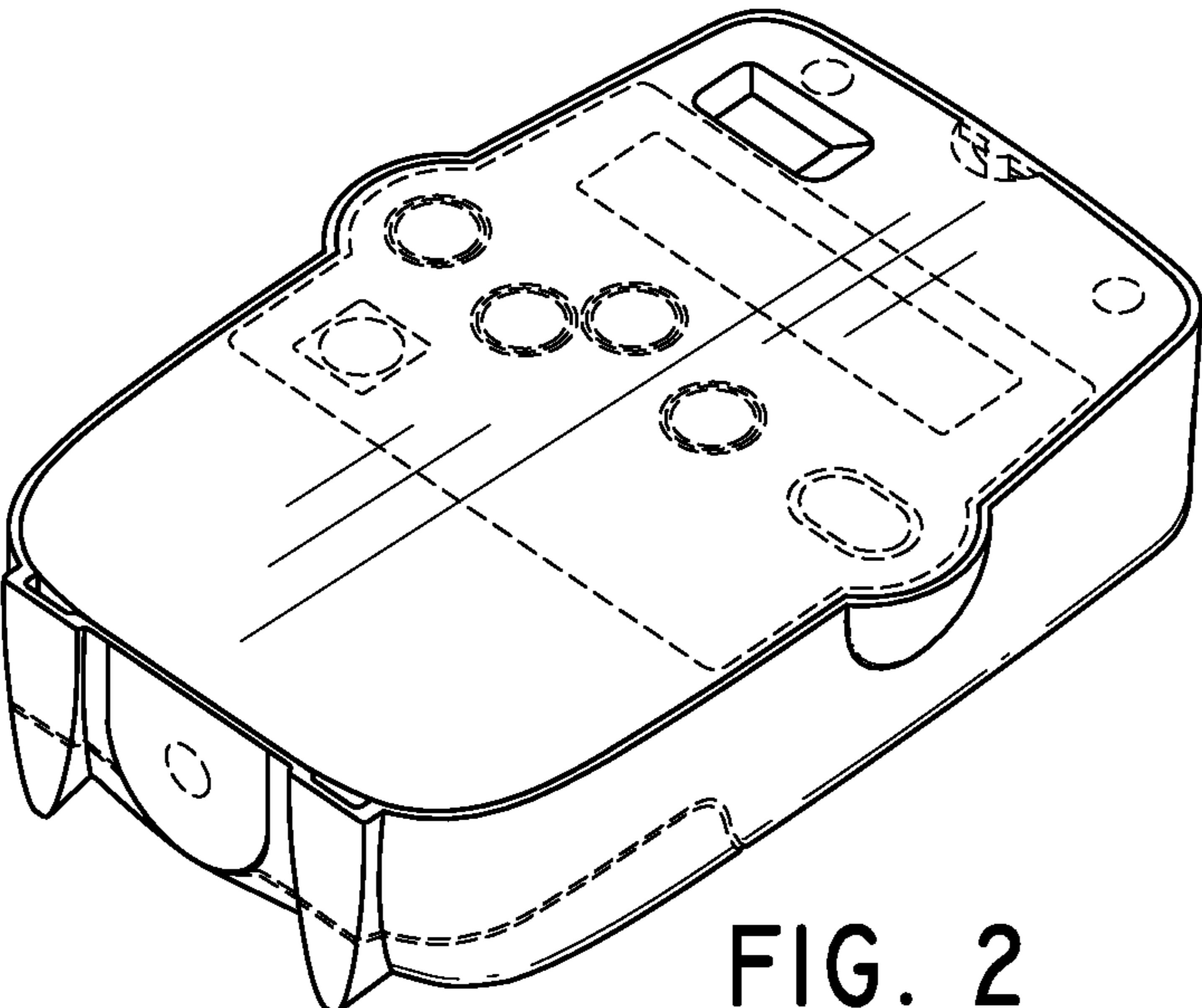


FIG. 2

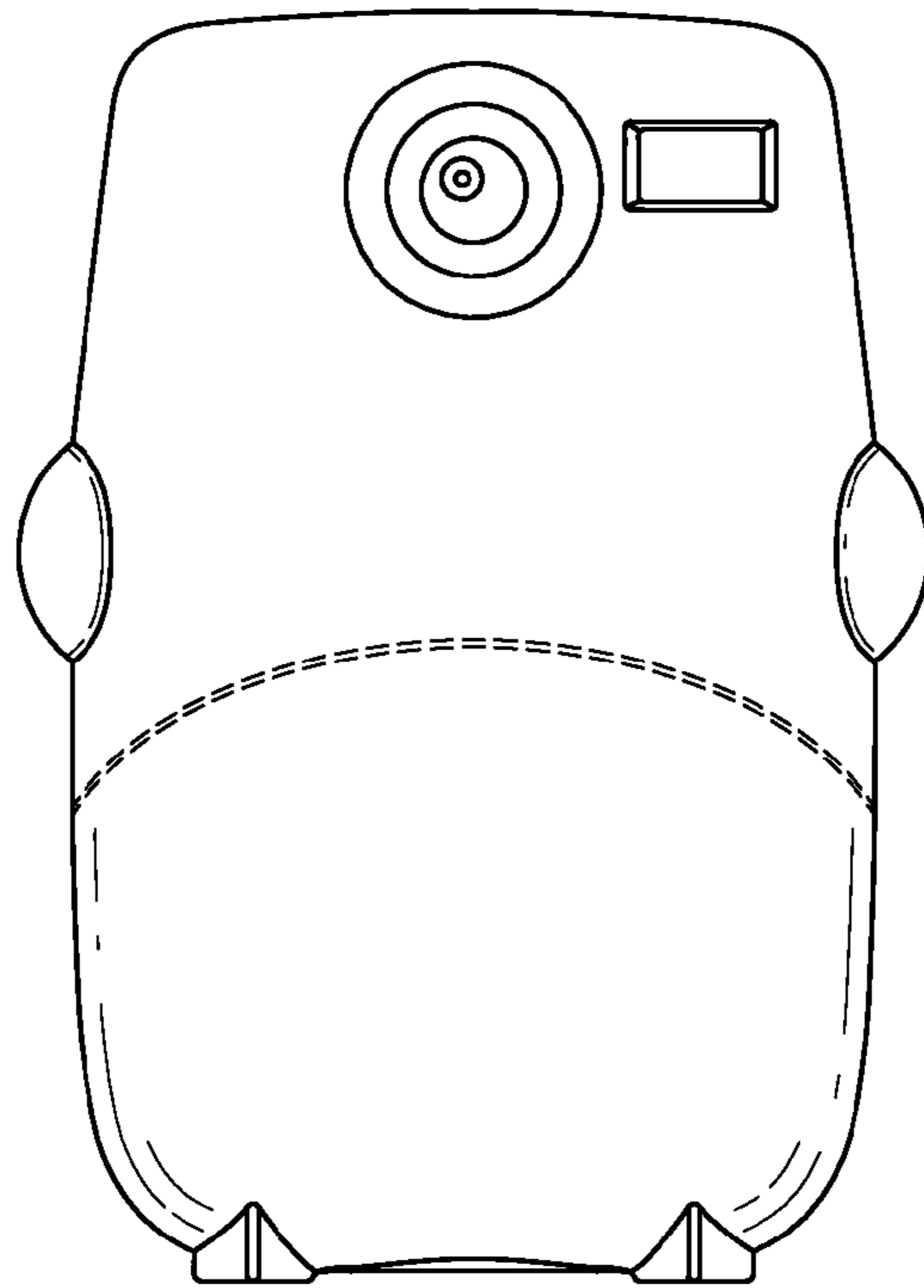


FIG. 3

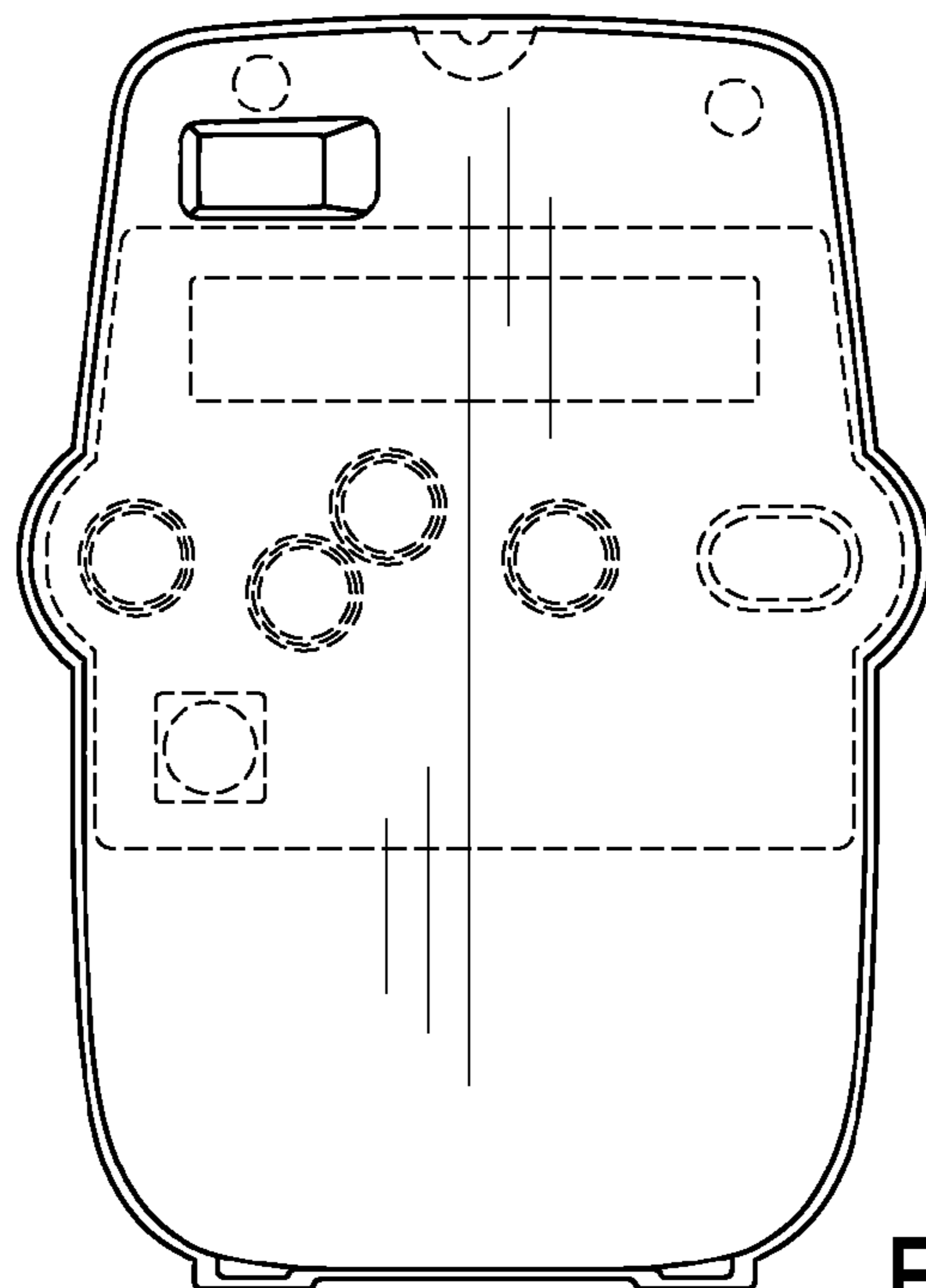


FIG. 4

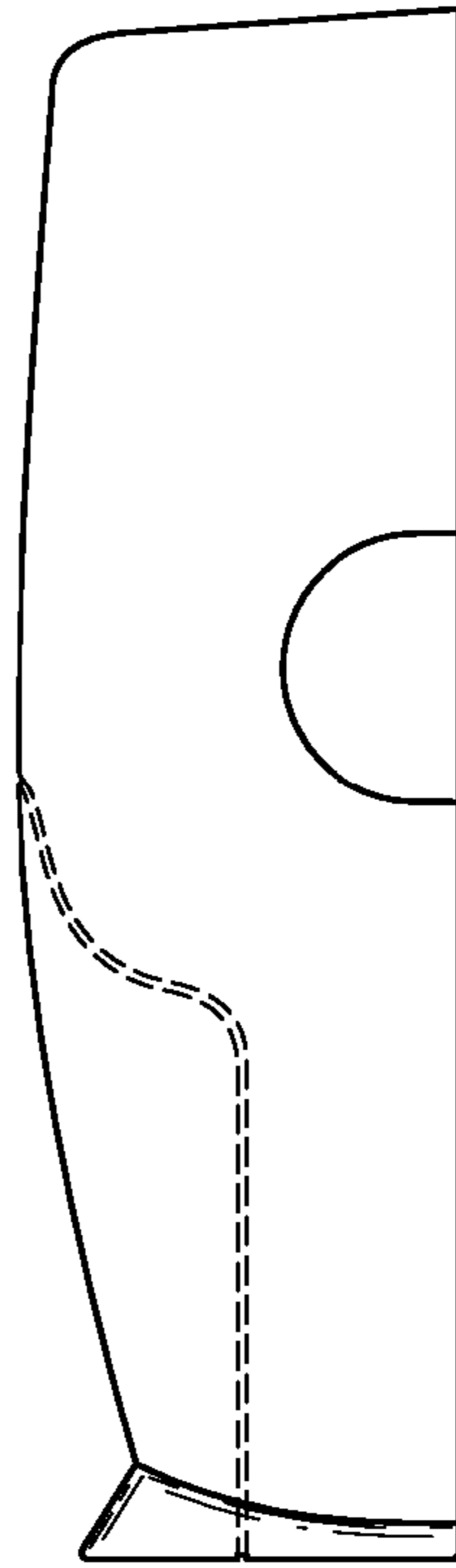


FIG. 5

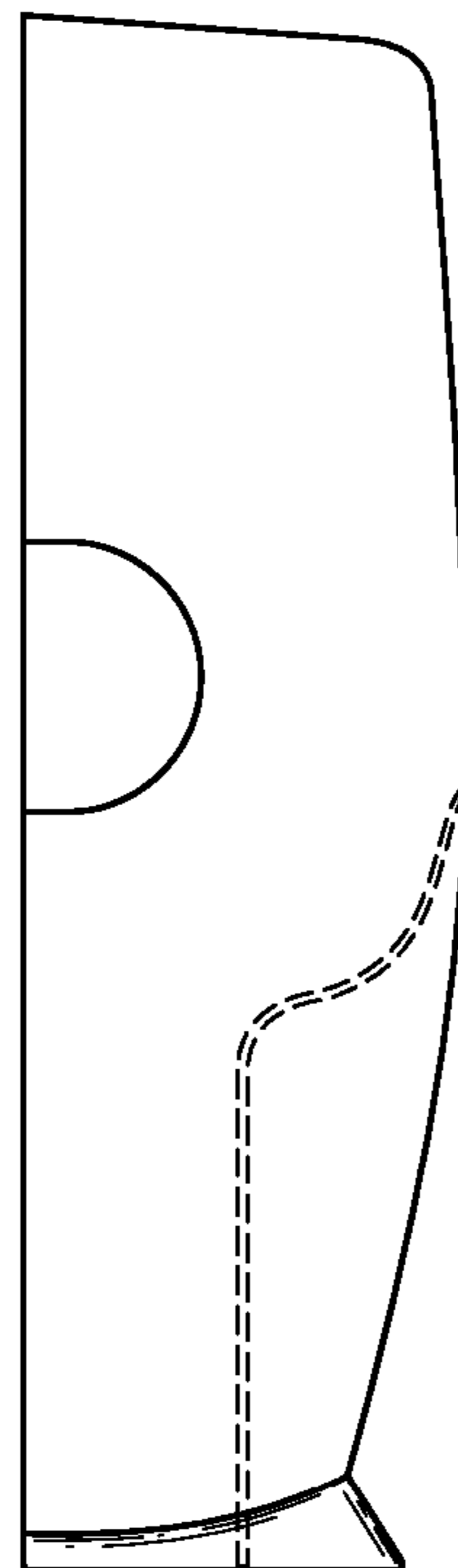


FIG. 6



FIG. 7

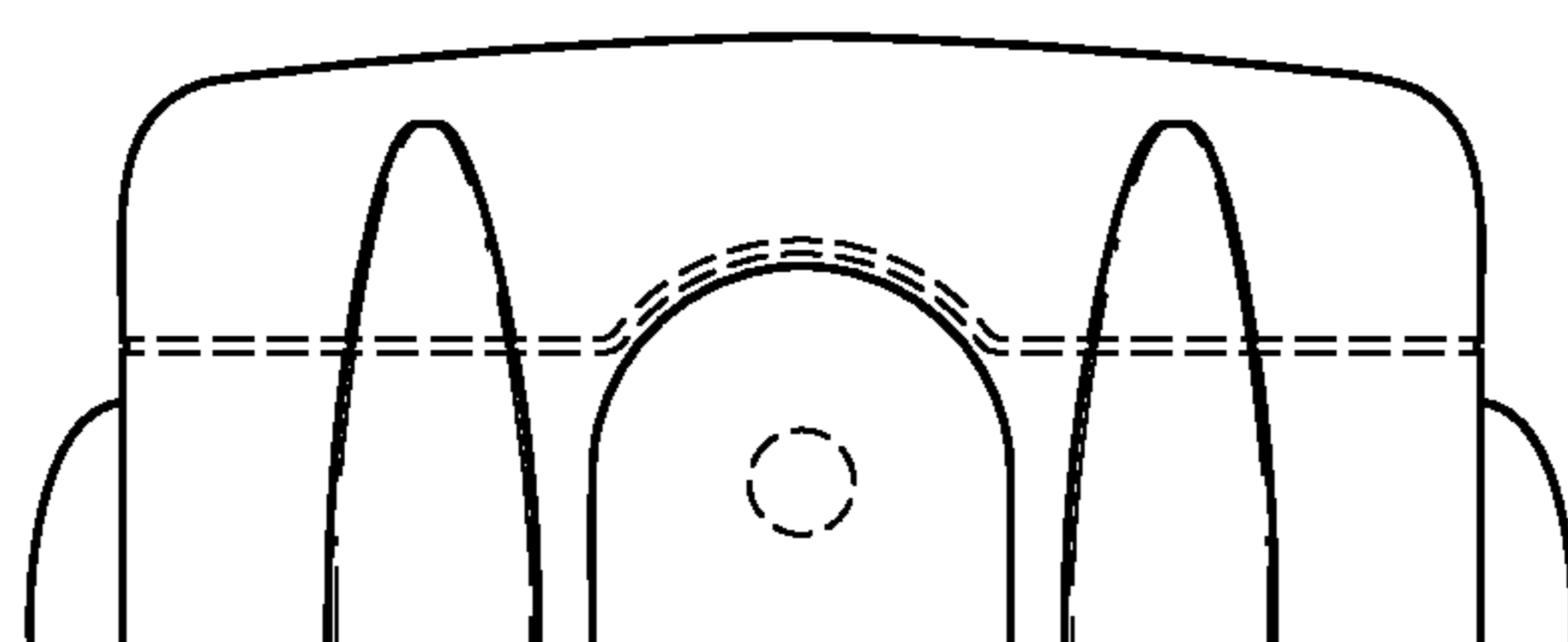


FIG. 8