



US00D688714S

(12) **United States Design Patent**
Firth

(10) **Patent No.:** **US D688,714 S**

(45) **Date of Patent:** **** Aug. 27, 2013**

(54) **MITRE SAW**

(56) **References Cited**

(75) Inventor: **Robert Firth**, York (GB)

U.S. PATENT DOCUMENTS

(73) Assignee: **Power Box AG**, Zug (CH)

D421,267	S	*	2/2000	Price et al.	D15/133
D459,373	S	*	6/2002	Hollinger et al.	D15/133
D520,033	S	*	5/2006	Firth	D15/133
D535,670	S	*	1/2007	Firth	D15/133
D547,338	S	*	7/2007	Firth	D15/133
D608,375	S	*	1/2010	Kokawa et al.	D15/133
D623,204	S	*	9/2010	Weusthof	D15/133
D626,159	S	*	10/2010	Jebb	D15/133
D654,102	S	*	2/2012	Bindhammer	D15/133

(**) Term: **14 Years**

(21) Appl. No.: **29/423,580**

(22) Filed: **Jun. 1, 2012**

* cited by examiner

(30) **Foreign Application Priority Data**

Dec. 5, 2011 (EM) 001958166-0001

Primary Examiner — Patricia Palasik

(74) *Attorney, Agent, or Firm* — Gablegotswals

(51) **LOC (9) Cl.** **15-09**

(57) **CLAIM**

The ornamental design for a mitre saw, as shown and described.

(52) **U.S. Cl.**

DESCRIPTION

USPC **D15/133**

FIG. 1 is a front elevation view of the mitre saw illustrating my new design.

(58) **Field of Classification Search**

USPC . D8/61, 64-69; D15/133, 134; 30/377-378, 30/388-391; 83/377, 378, 388, 397, 468.3, 83/469

FIG. 2 is a right side elevation view thereof.

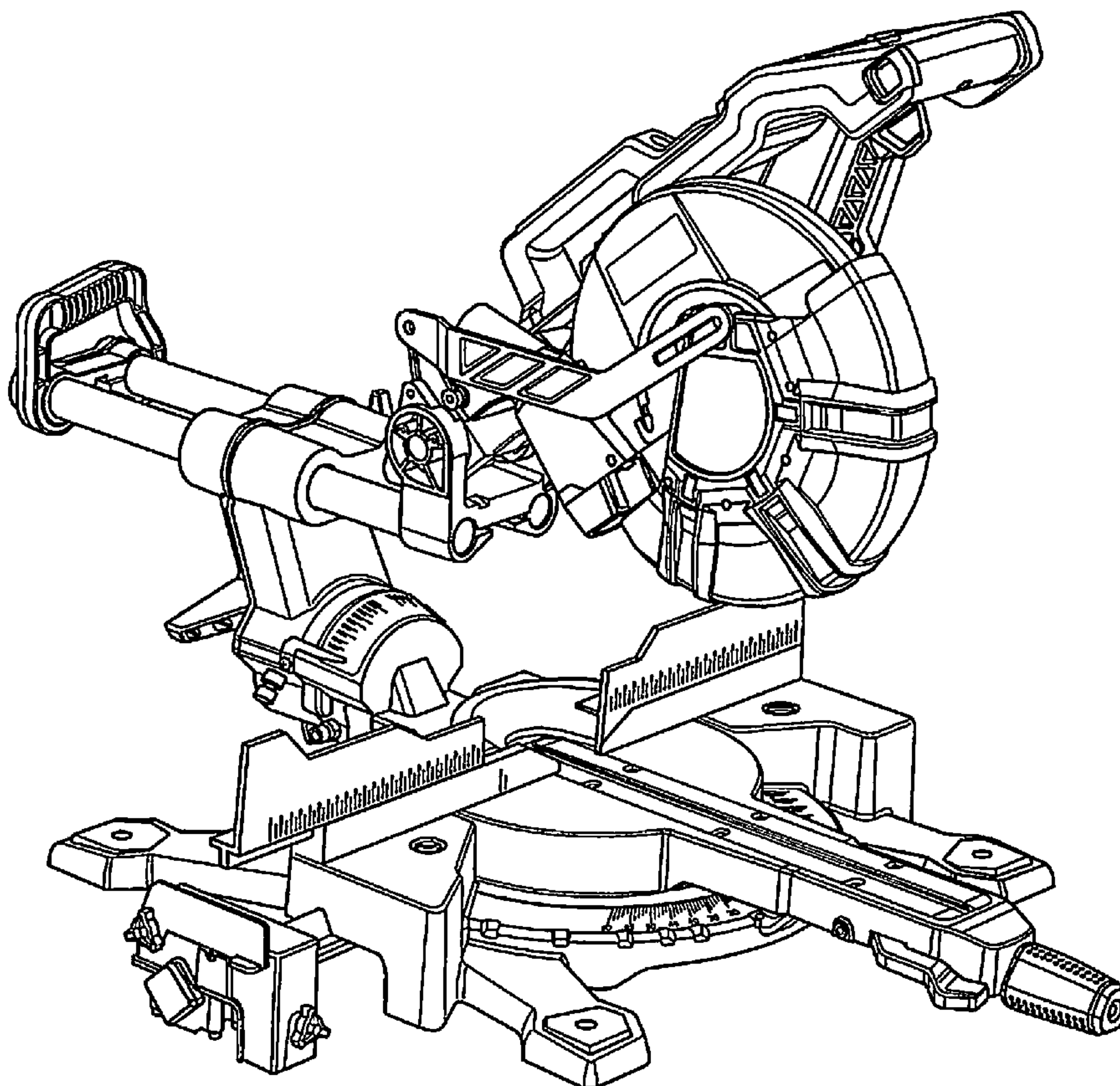
FIG. 3 is a left side elevation view thereof.

FIG. 4 is a top plan view thereof; and,

FIG. 5 is an alternative embodiment of the mitre saw showing my design.

See application file for complete search history.

1 Claim, 5 Drawing Sheets



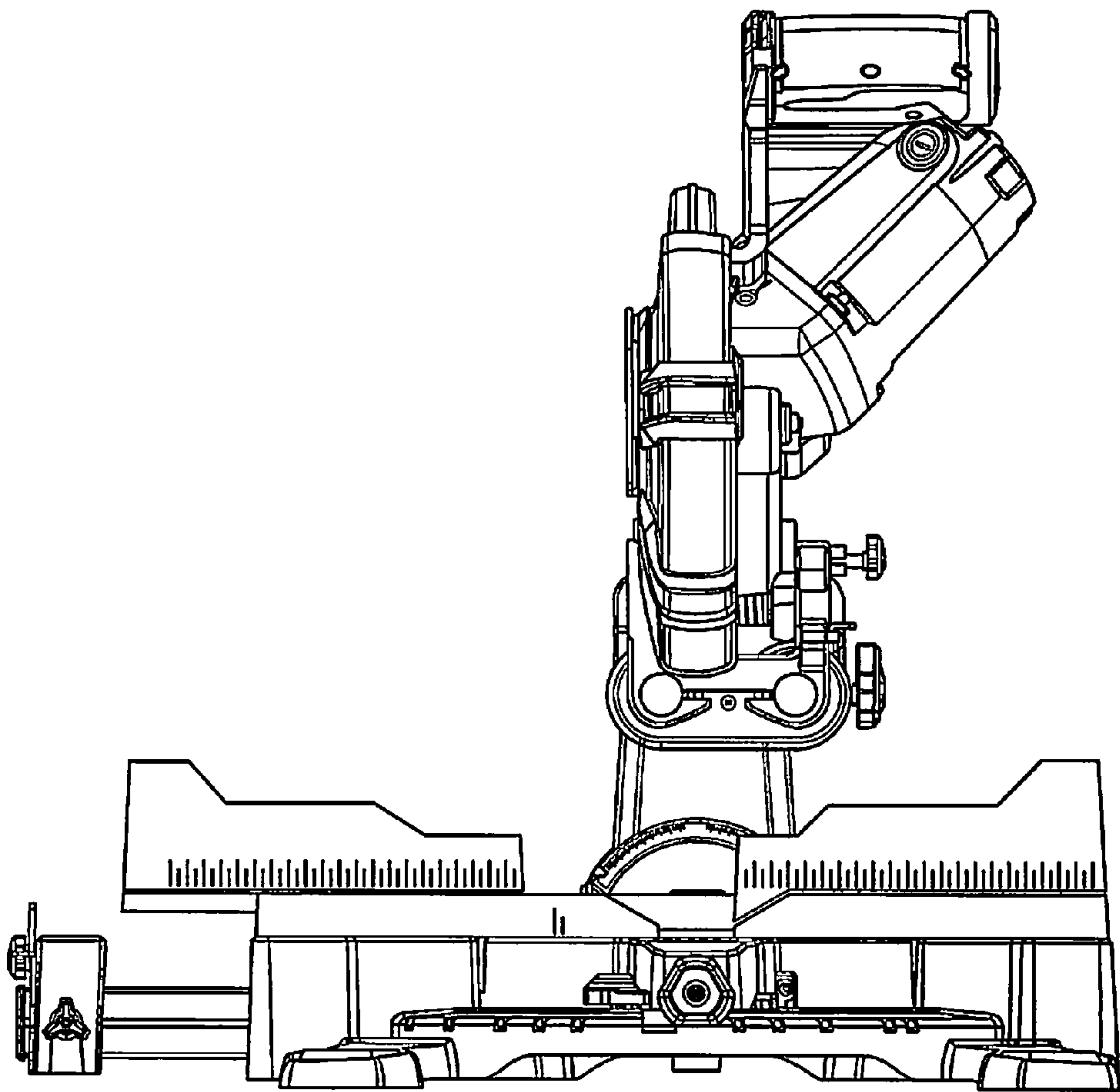
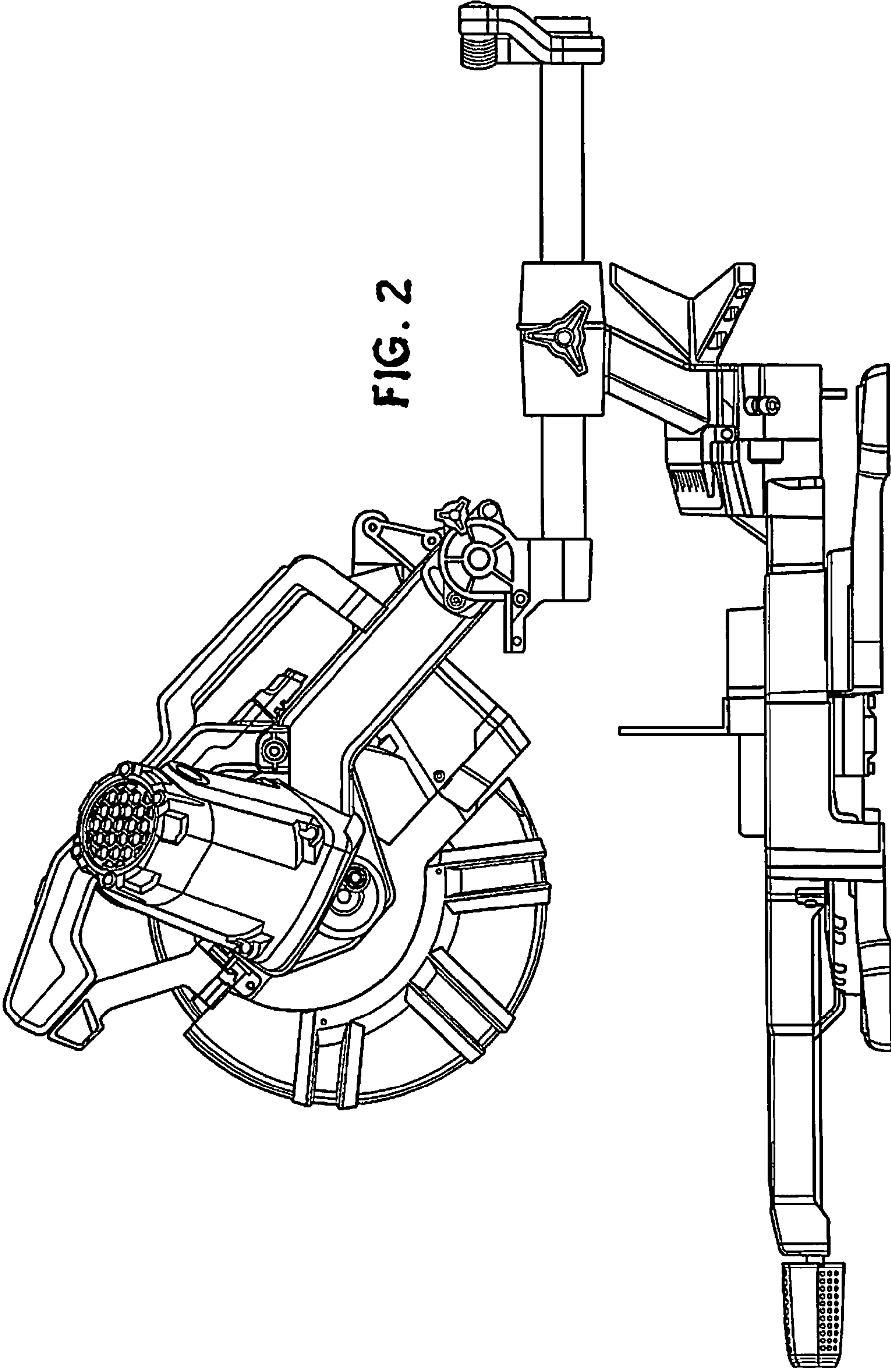


FIG. 1



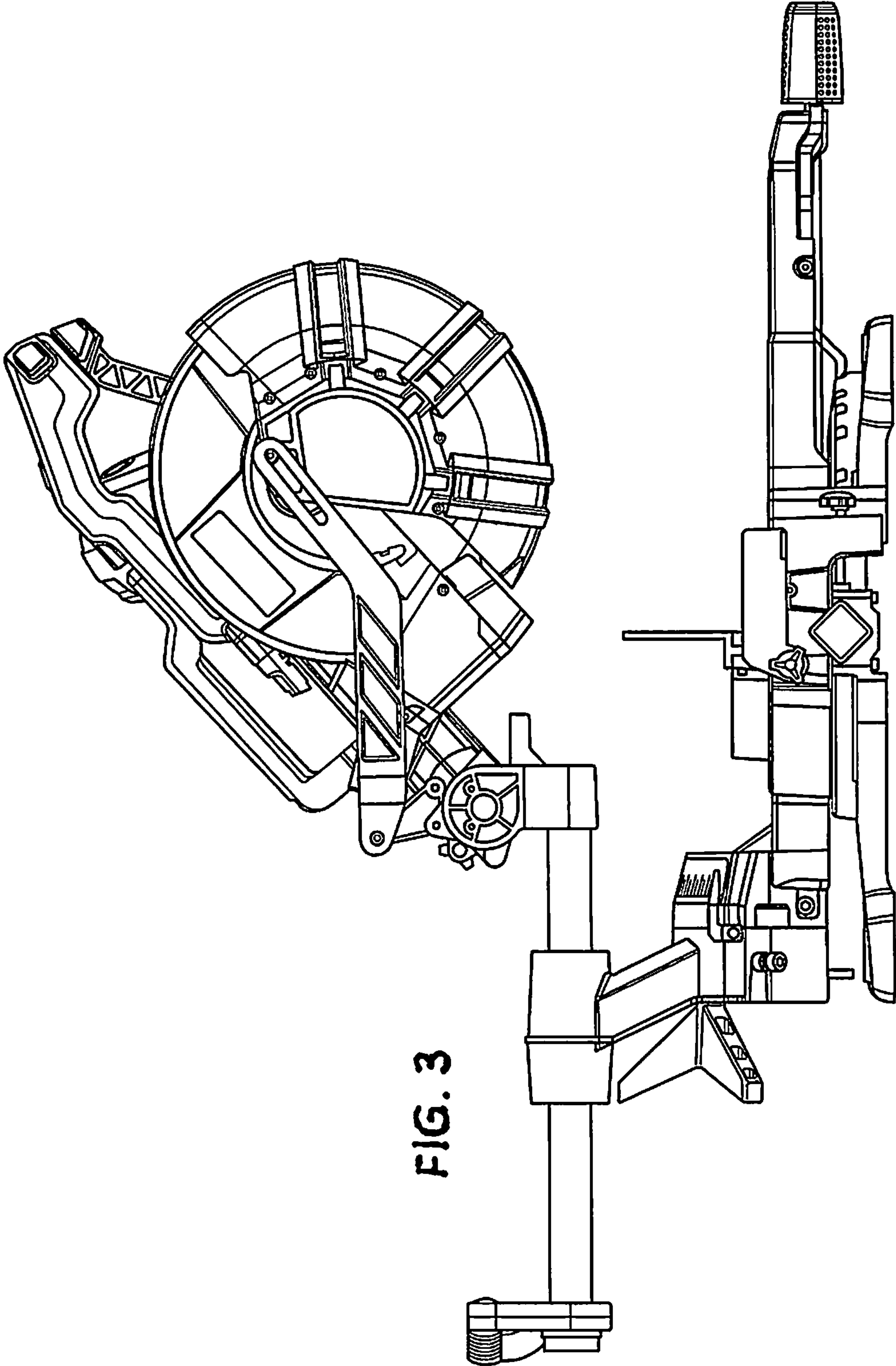


FIG. 3

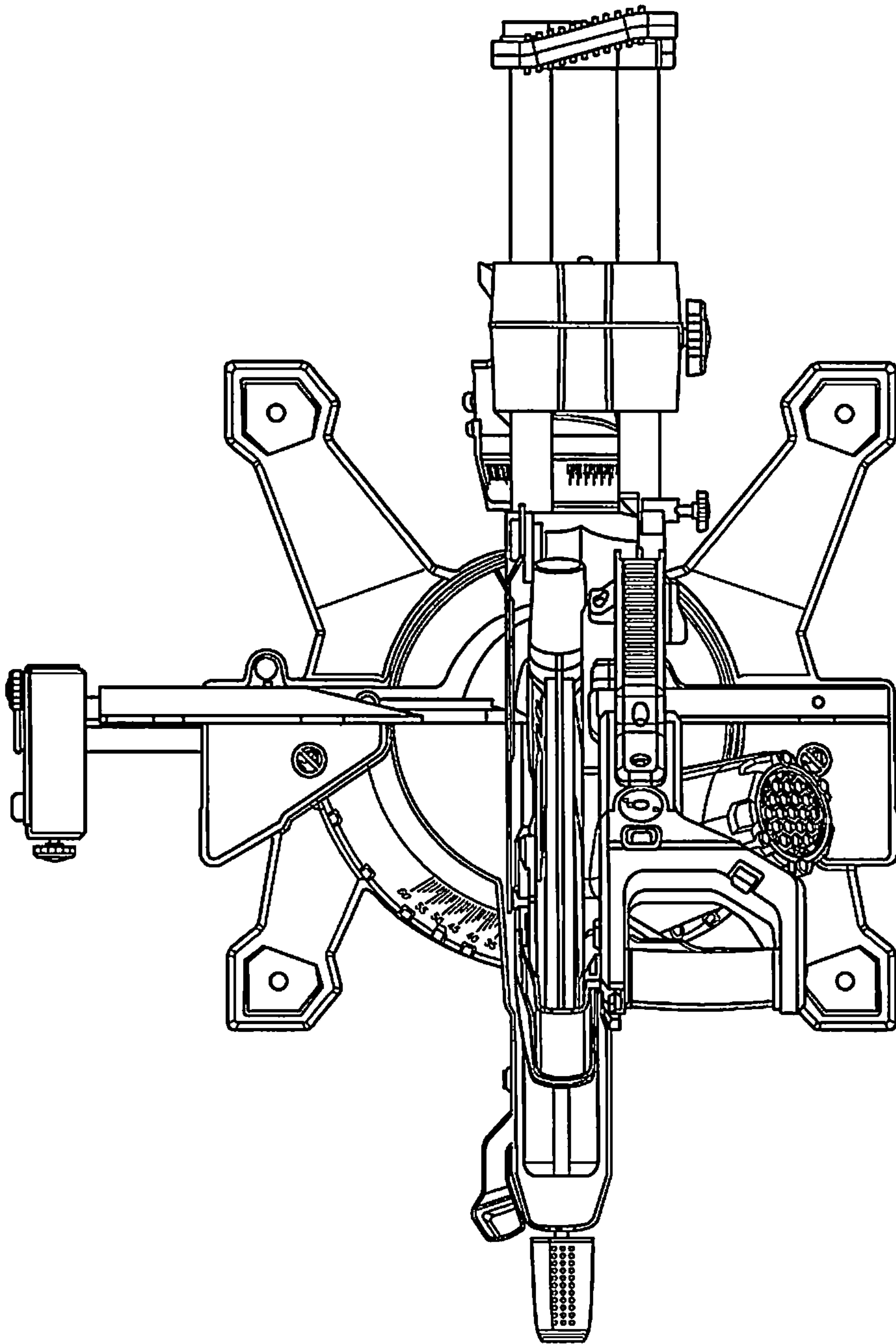


FIG. 4

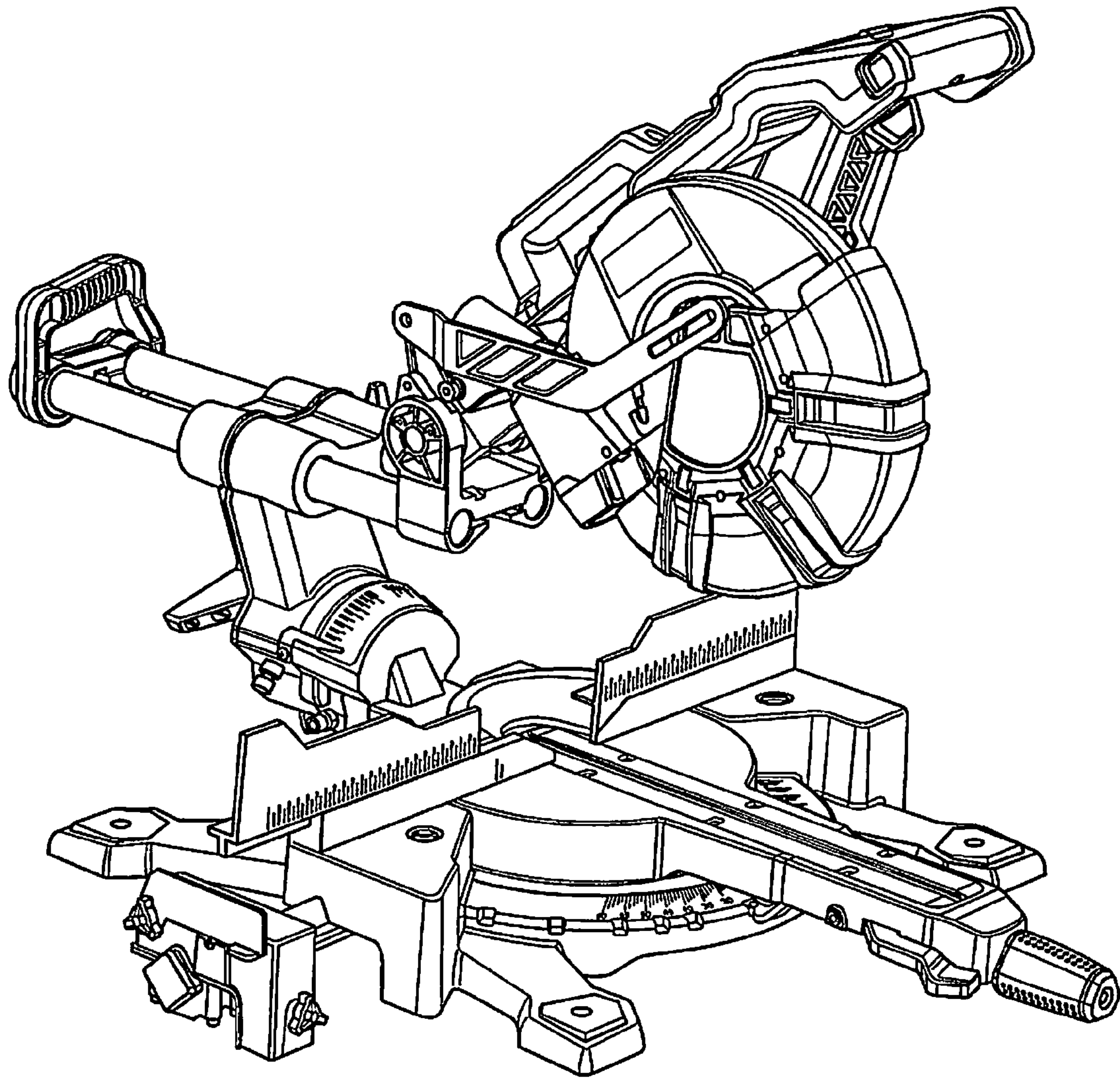


FIG. 5