



US00D688713S

(12) **United States Design Patent**
Seino et al.

(10) **Patent No.:** **US D688,713 S**
(45) **Date of Patent:** **** Aug. 27, 2013**

(54) **UPPER ROTATING BODY FOR AN EXCAVATOR**

(71) Applicant: **Yanmar Co., Ltd.**, Osaki (JP)

(72) Inventors: **Hideki Seino**, Chikugo (JP); **Yasuyuki Oyamada**, Chikugo (JP); **Masao Nagata**, Chikugo (JP); **Mineaki Ogata**, Chikugo (JP); **Takaaki Kuroda**, Chikugo (JP); **Takuzo Kawamura**, Chikugo (JP)

(73) Assignee: **Yanmar Co., Ltd.**, Osaka (JP)

(**) Term: **14 Years**

(21) Appl. No.: **29/440,029**

(22) Filed: **Dec. 18, 2012**

(30) **Foreign Application Priority Data**

Jun. 18, 2012 (JP) 2012-14474

(51) **LOC (9) Cl.** **15-03**

(52) **U.S. Cl.**
USPC **D15/33**

(58) **Field of Classification Search**
USPC D15/10, 15, 22-26, 28, 30, 33; D12/96;
D34/37; 180/89.1, 89.12, 89.13, 311, 900;
296/190.01, 190.03, 181.1; 414/680, 685,
414/687, 688, 694
See application file for complete search history.

(56) **References Cited**

U.S. PATENT DOCUMENTS

D338,019 S * 8/1993 Bhambra D15/25
D348,270 S * 6/1994 Lehmann-Brendel et al. D15/30
D436,605 S * 1/2001 Shaw et al. D15/30
6,170,588 B1 * 1/2001 Irino et al. 180/89.1

D487,100 S * 2/2004 Tokach et al. D15/30
D487,575 S * 3/2004 Wetzel et al. D15/33
D511,531 S * 11/2005 Sewell et al. D15/24
D518,071 S * 3/2006 Gwak et al. D15/25
D527,027 S * 8/2006 Smith et al. D15/24
D534,552 S * 1/2007 Yanagida D15/25
D538,304 S * 3/2007 Uemura D15/25
D538,305 S * 3/2007 Smith et al. D15/30
D538,827 S * 3/2007 Uemura D15/25
D590,847 S * 4/2009 Yonekura et al. D15/25
D607,904 S * 1/2010 Reisenauer et al. D15/30
D607,905 S * 1/2010 Reisenauer et al. D15/30
D607,906 S * 1/2010 Reisenauer et al. D15/33
D658,211 S * 4/2012 Hiraoka et al. D15/25

* cited by examiner

Primary Examiner — Mark Goodwin

(74) *Attorney, Agent, or Firm* — Sterne, Kessler, Goldstein & Fox P.L.L.C.

(57) **CLAIM**

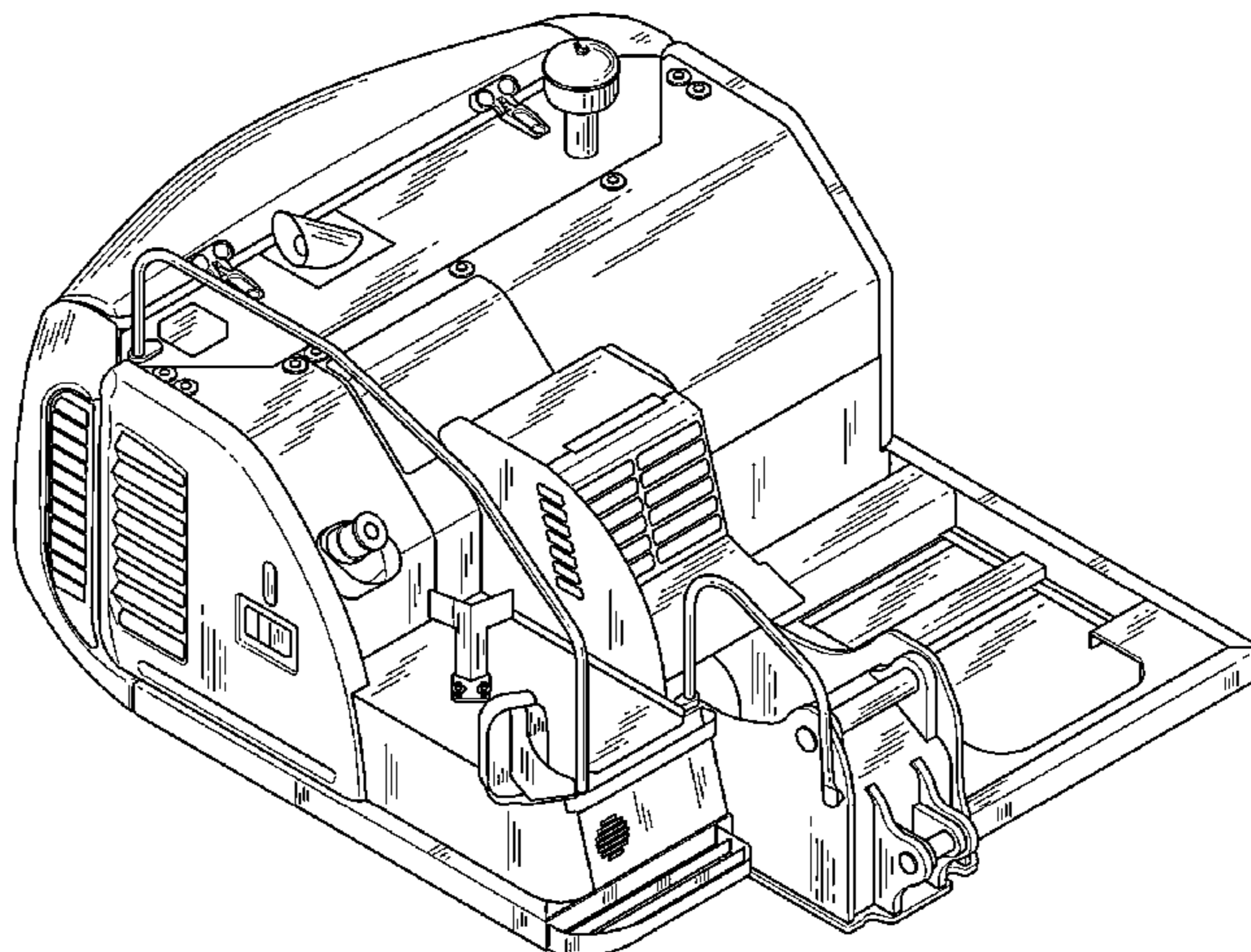
The ornamental design for an upper rotating body for an excavator, as shown and described.

DESCRIPTION

FIG. 1 is a top front perspective view of an upper rotating body for an excavator showing our new design;
FIG. 2 is a front view thereof;
FIG. 3 is a rear view thereof;
FIG. 4 is a left side view thereof;
FIG. 5 is a right side view thereof;
FIG. 6 is a top plan view thereof;
FIG. 7 is a bottom plan view thereof; and,
FIG. 8 is a reference view showing the upper rotating body for an excavator of the present invention in an environment in which it may be used.

The broken line showing of an excavator is included for the purpose of illustrating environmental structure only and forms no part of the claimed design.

1 Claim, 8 Drawing Sheets



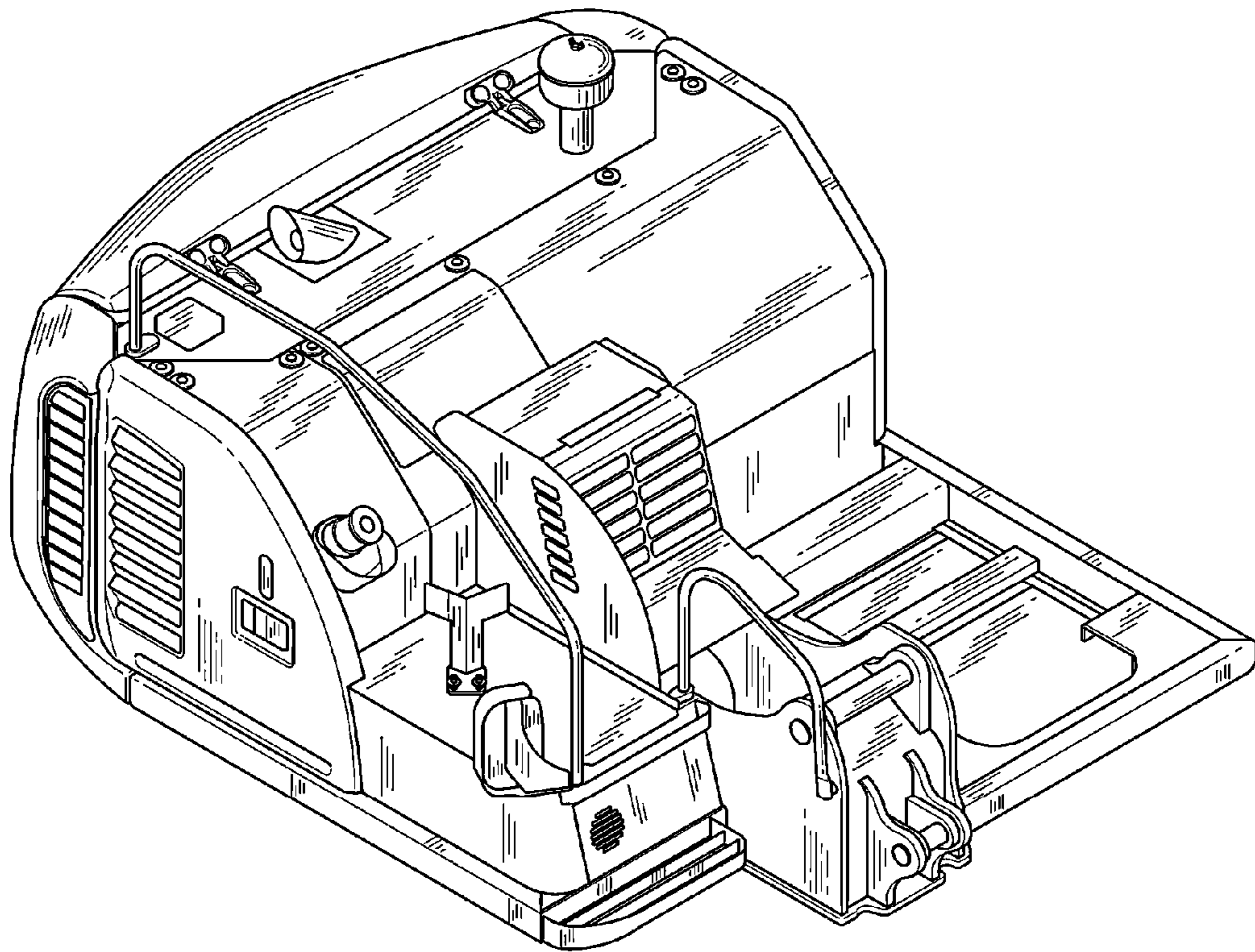


FIG. 1

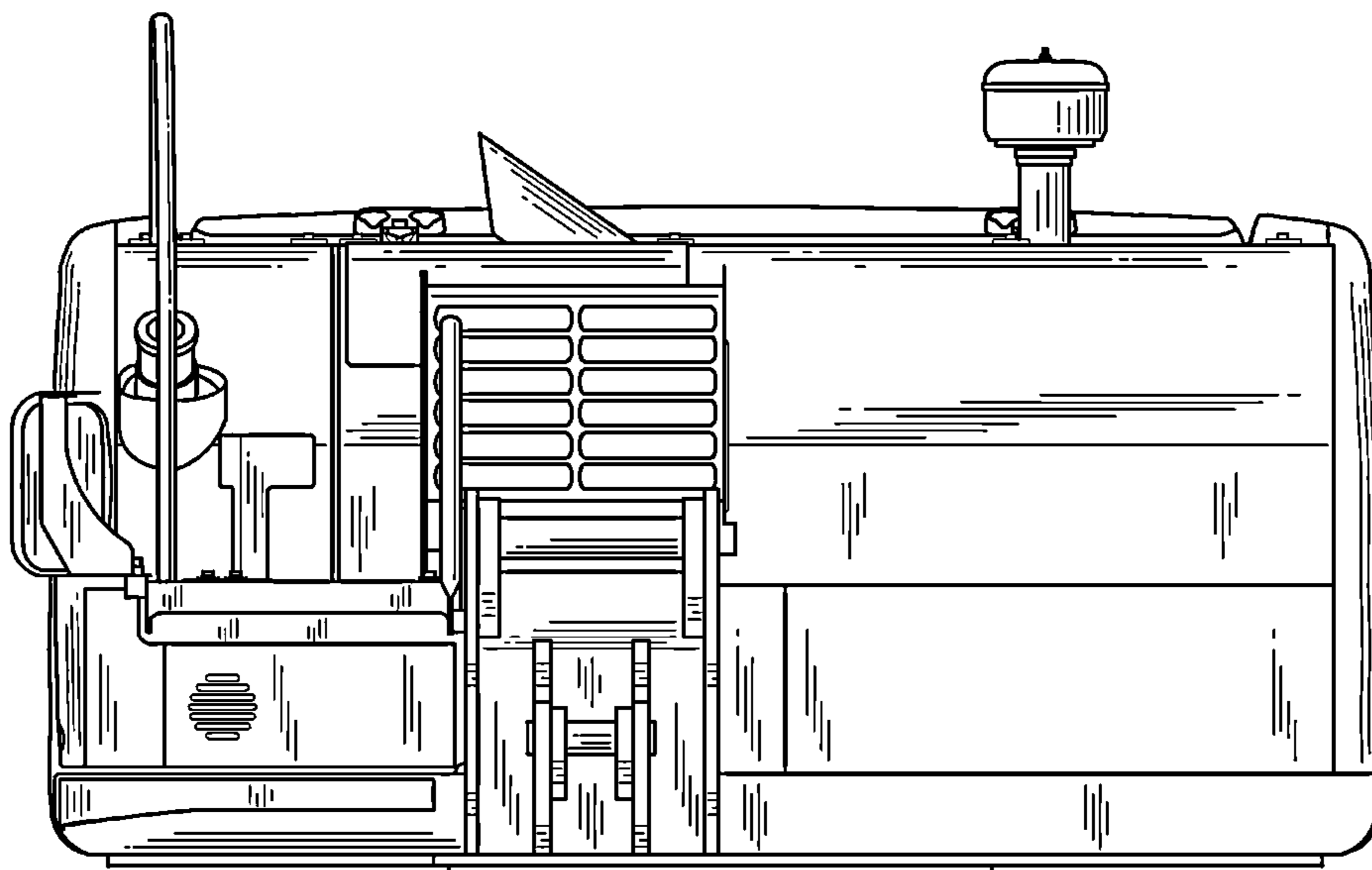


FIG. 2

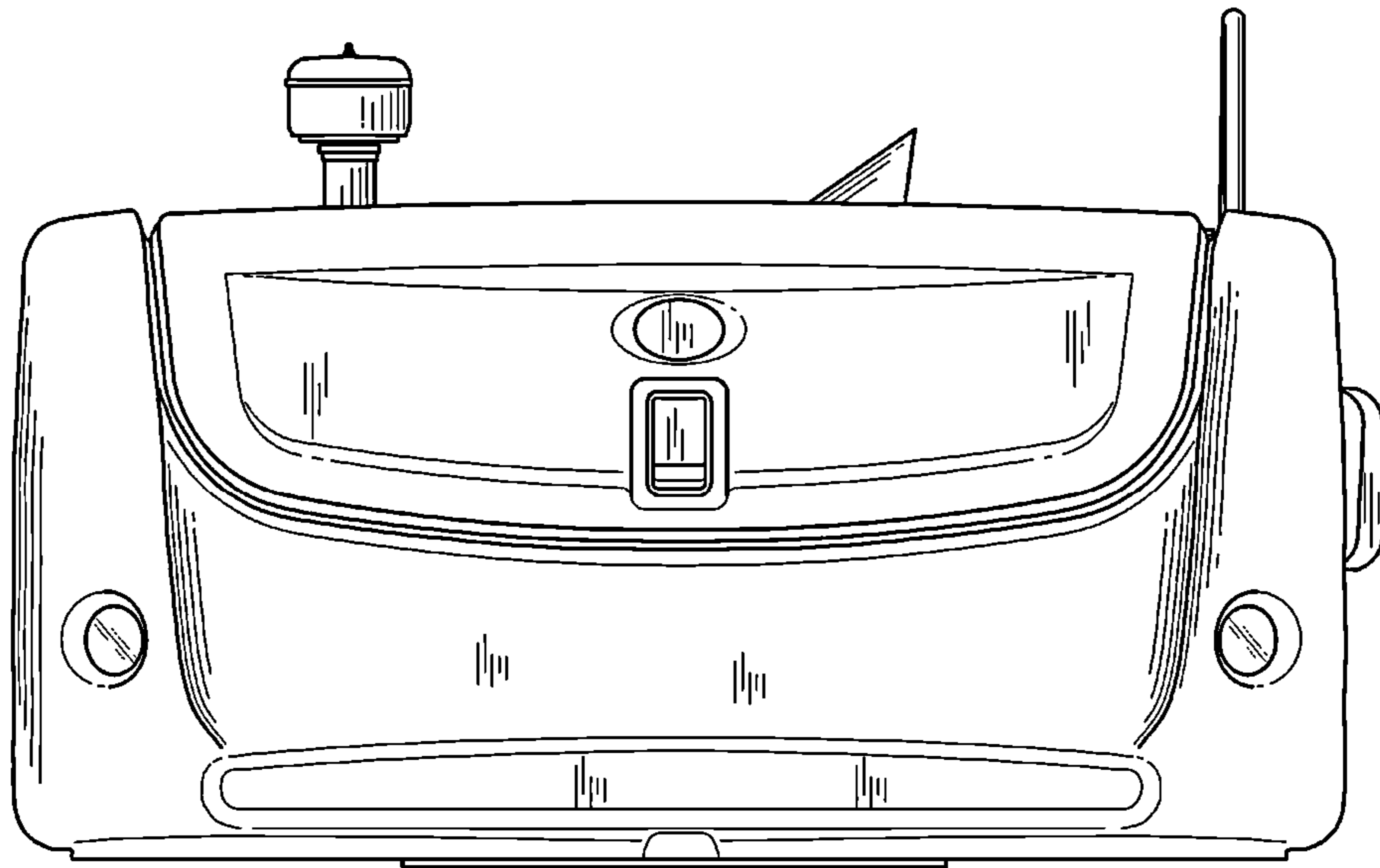


FIG. 3

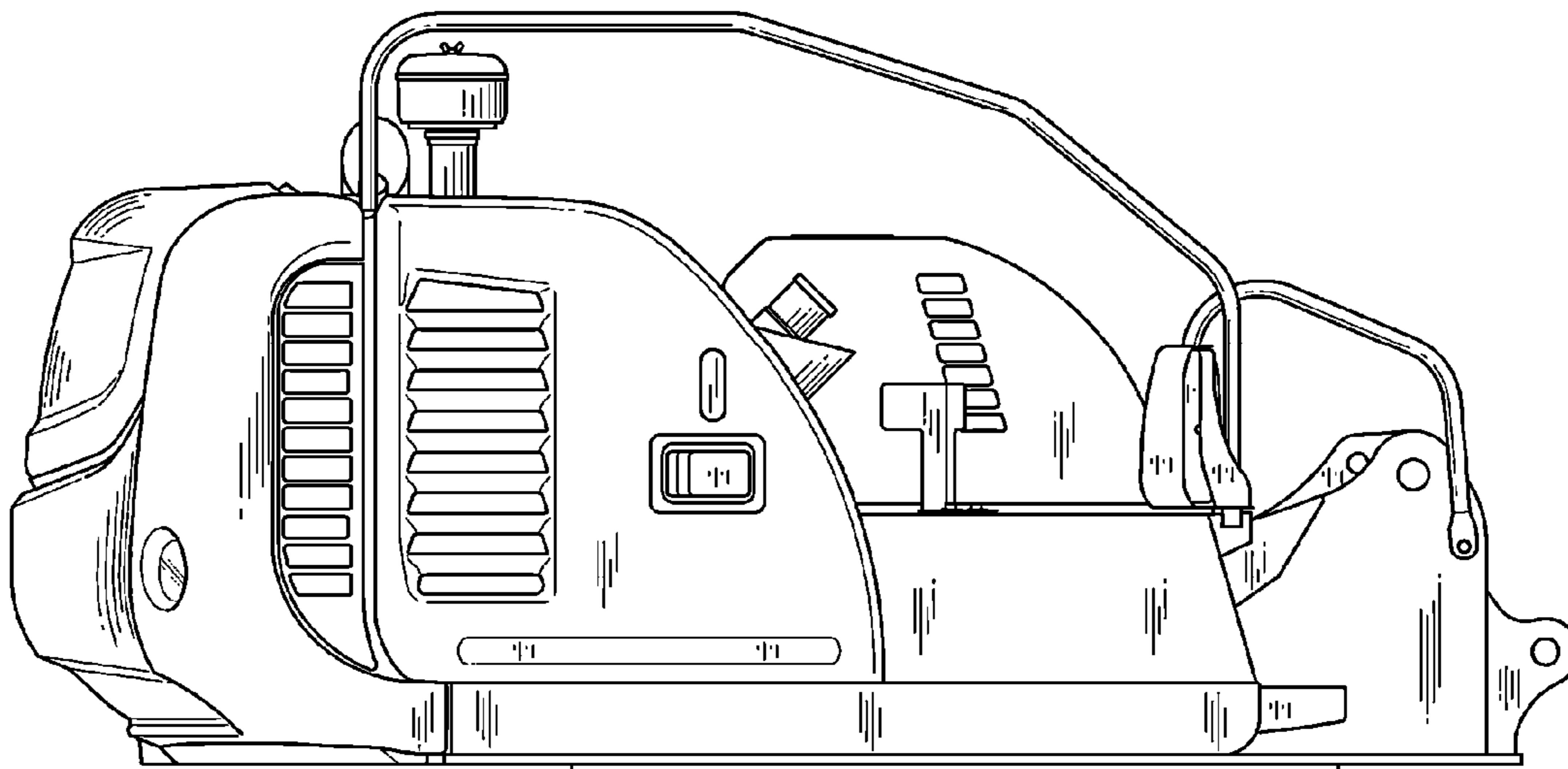


FIG. 4

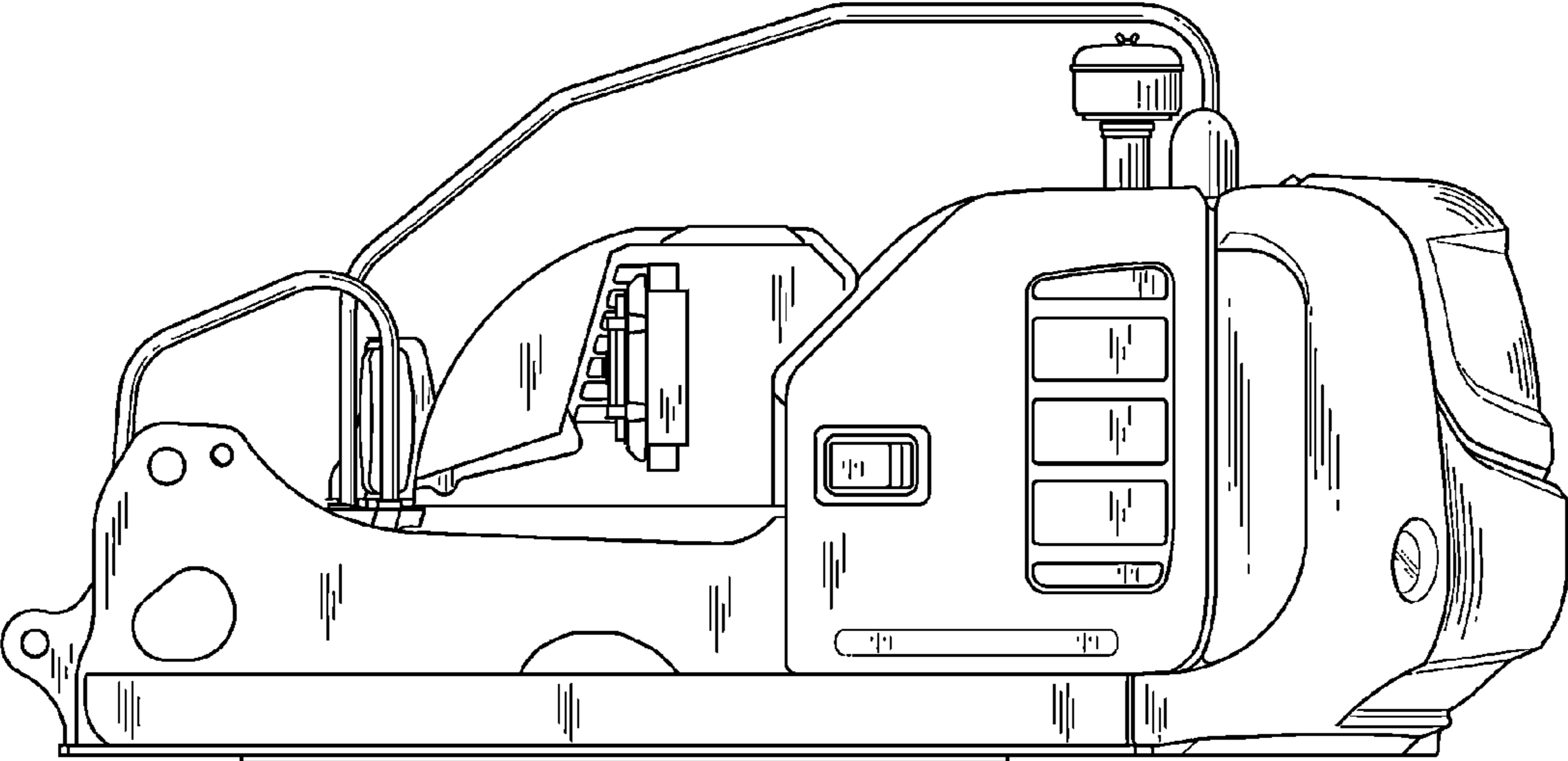


FIG. 5

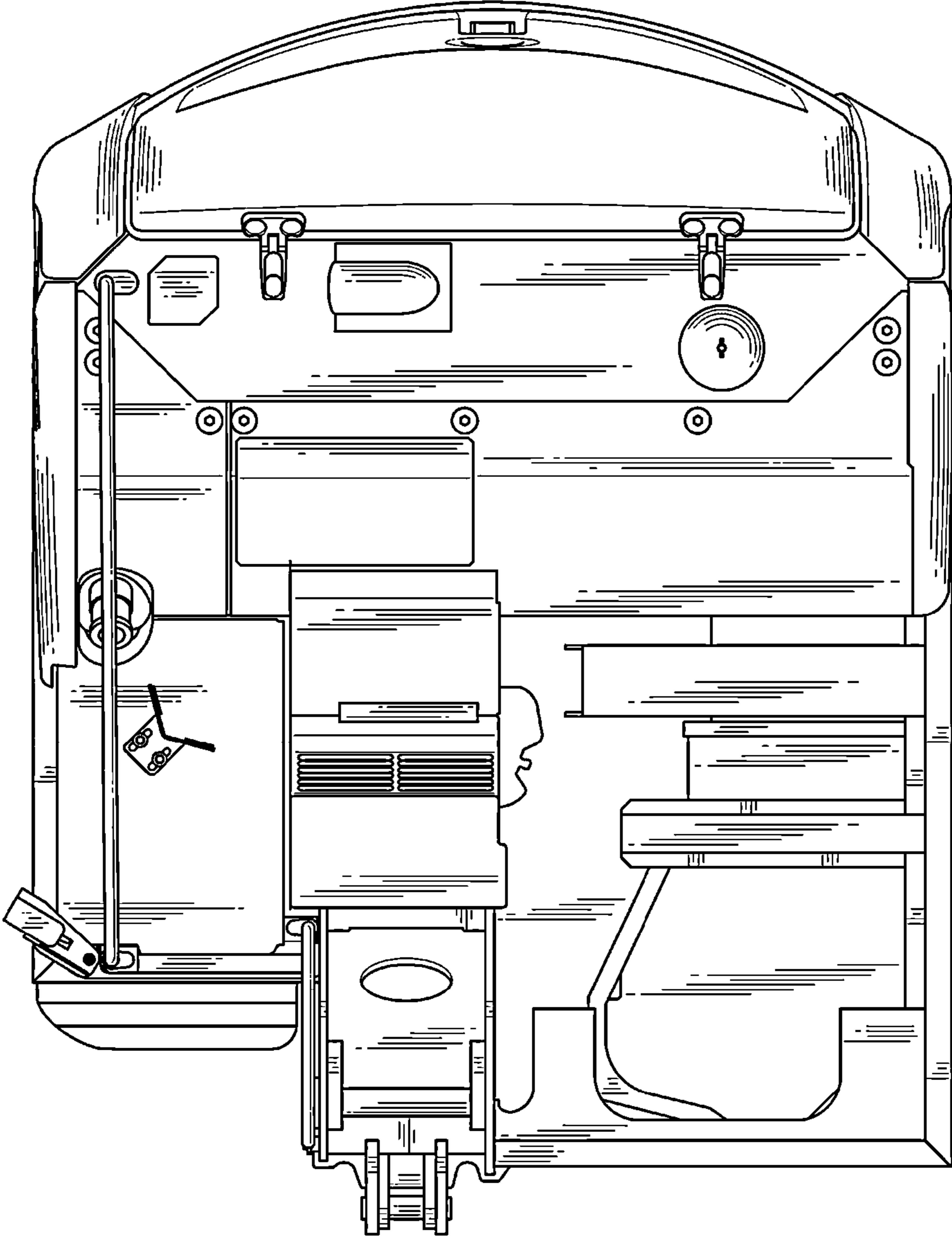


FIG. 6

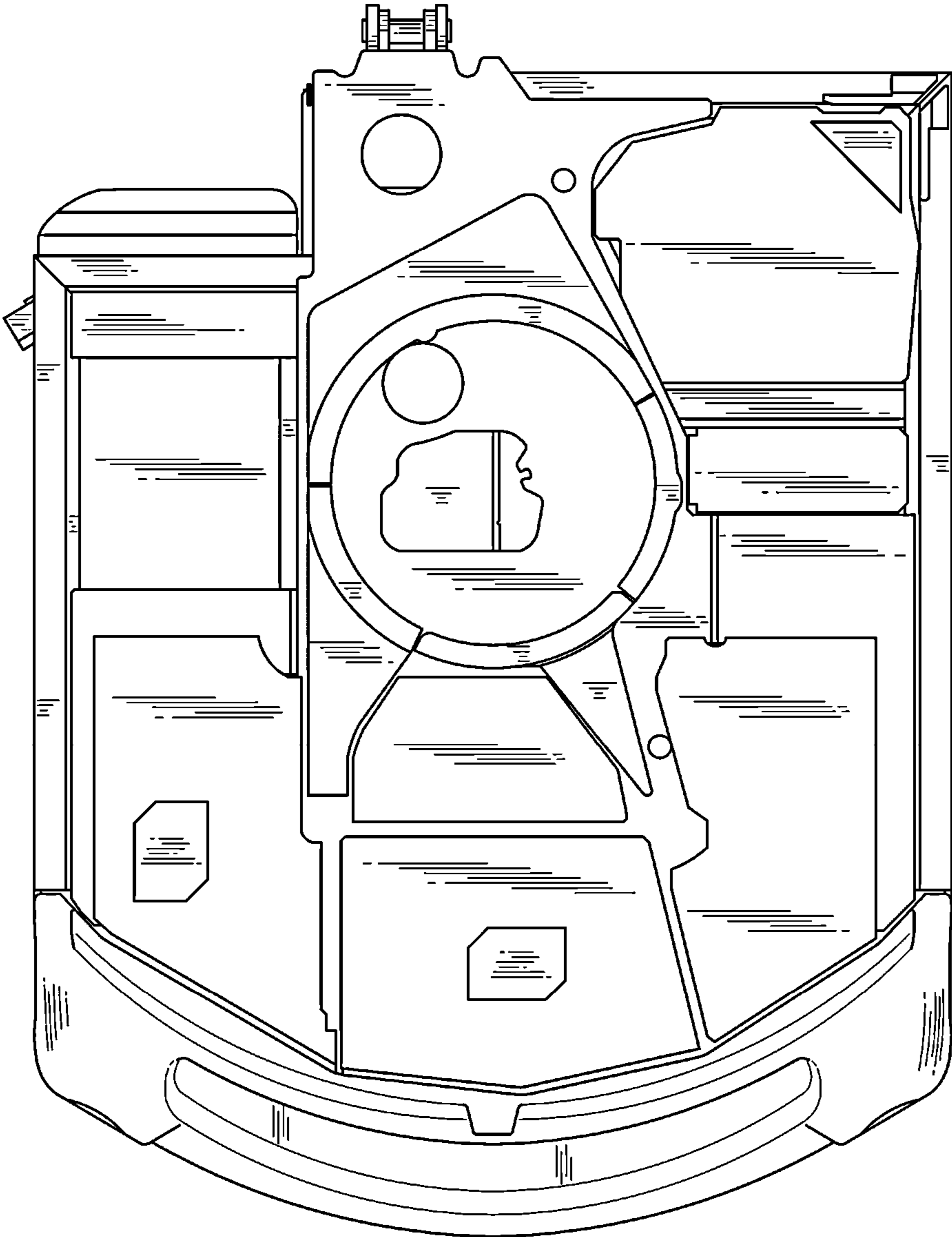


FIG. 7

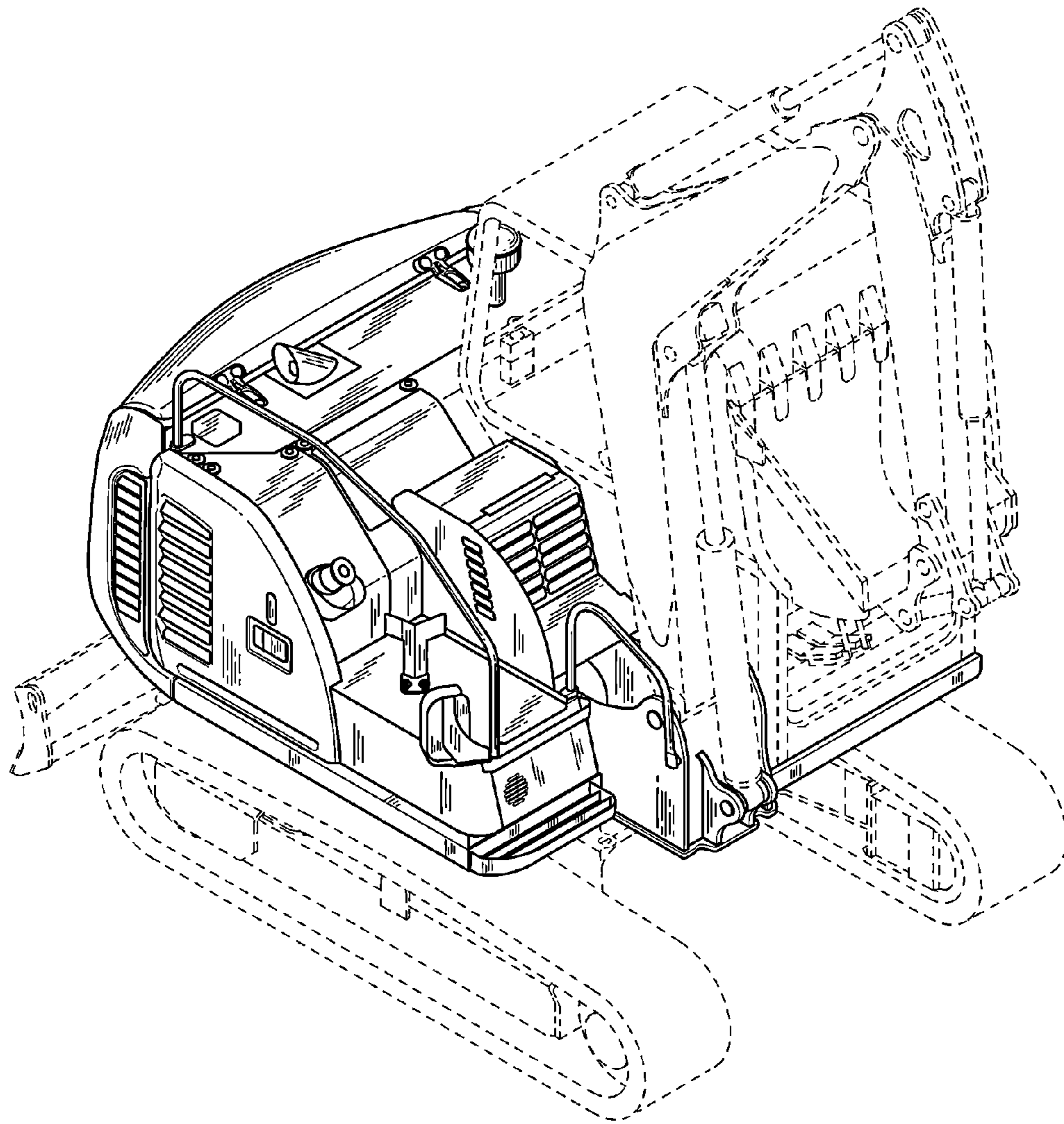


FIG. 8