



US00D688711S

(12) **United States Design Patent**  
**Moretto**

(10) **Patent No.:** **US D688,711 S**

(45) **Date of Patent:** **\*\* Aug. 27, 2013**

(54) **APPARATUS FOR HANDLING MATERIALS  
IN GRANULAR FORM**

(75) Inventor: **Renato Moretto**, Padua (IT)

(73) Assignee: **Moretto S.p.A.**, Massanzago, Padua (IT)

(\*\*) Term: **14 Years**

(21) Appl. No.: **29/417,974**

(22) Filed: **Apr. 11, 2012**

(30) **Foreign Application Priority Data**

Oct. 14, 2011 (WO) ..... 631199201

(51) **LOC (9) Cl.** ..... **15-03**

(52) **U.S. Cl.**  
USPC ..... **D15/10**

(58) **Field of Classification Search**  
USPC ..... D15/10, 122, 199; 209/577, 509,  
209/581, 582, 587, 576, 908, 932, 580, 644  
See application file for complete search history.

(56) **References Cited**

**U.S. PATENT DOCUMENTS**

3,482,686 A \* 12/1969 Wood ..... 209/587  
4,454,029 A \* 6/1984 Coddling ..... 209/581  
D282,367 S \* 1/1986 Satake ..... D15/10  
4,718,558 A \* 1/1988 Castaneda ..... 209/546

4,799,596 A \* 1/1989 Mallant ..... 209/580  
D306,597 S \* 3/1990 Vanden Bos ..... D15/10  
D308,526 S \* 6/1990 Stalder et al. .... D15/10  
4,951,825 A \* 8/1990 Hawkins et al. .... 209/558  
D338,892 S \* 8/1993 Crawford ..... D15/10  
5,836,363 A \* 11/1998 LaFleur ..... 141/314  
6,100,488 A \* 8/2000 Satake et al. .... 209/580  
6,252,188 B1 \* 6/2001 Zapata et al. .... 209/577  
D478,096 S \* 8/2003 Kim ..... D15/10  
D556,795 S \* 12/2007 Bee ..... D15/122  
D560,233 S \* 1/2008 Bee ..... D15/122  
D651,222 S \* 12/2011 Hodgkiss ..... D15/122

\* cited by examiner

*Primary Examiner* — Mark Goodwin

(74) *Attorney, Agent, or Firm* — Shoemaker and Mattare

(57) **CLAIM**

The ornamental design for an apparatus for handling materials in granular form, as shown and described.

**DESCRIPTION**

FIG. 1 is a perspective view of an apparatus for handling materials in granular form, showing my new design from the top, front and right side;

FIG. 2 is a left side elevational view thereof;

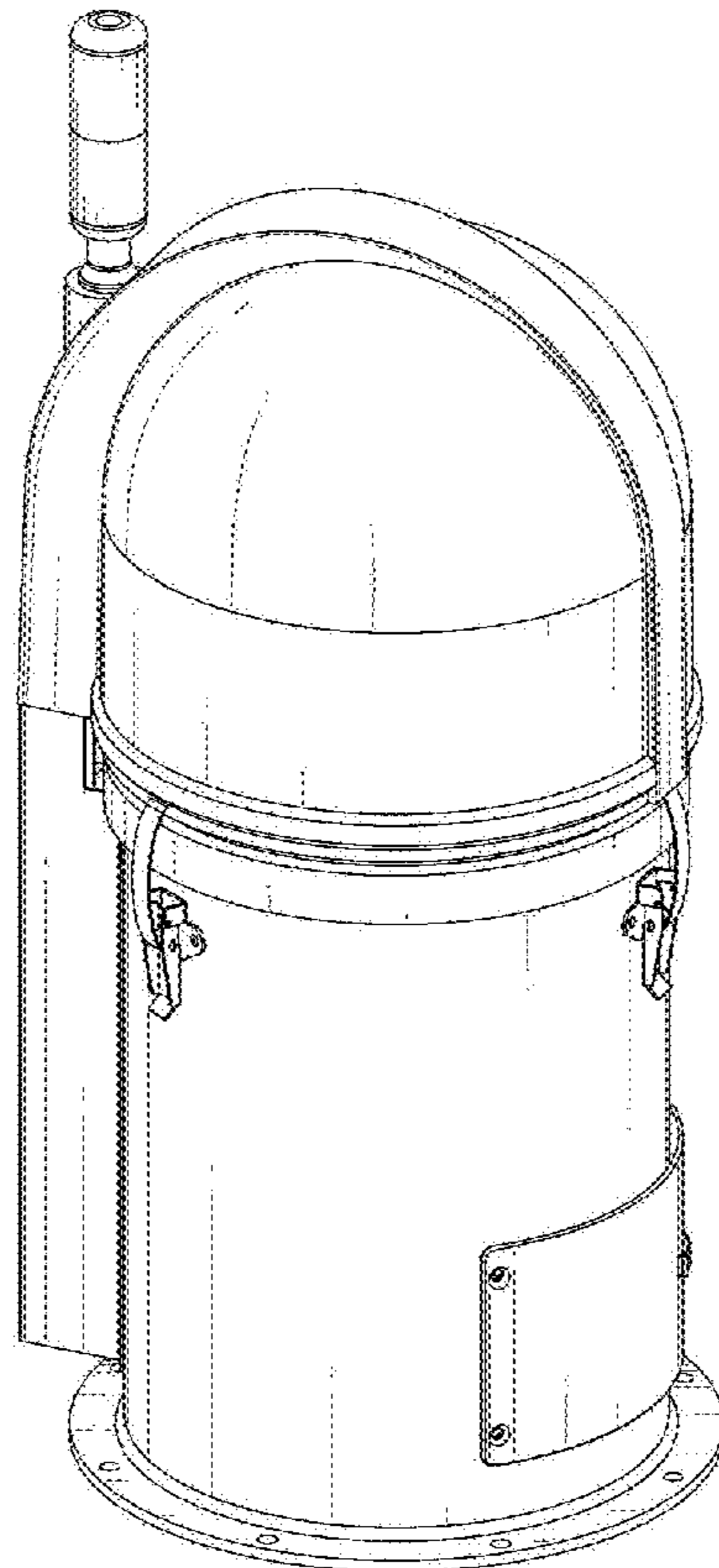
FIG. 3 is a right side elevational view thereof;

FIG. 4 is a rear elevational view thereof;

FIG. 5 is a front elevational view thereof; and,

FIG. 6 is a top plan view thereof.

**1 Claim, 6 Drawing Sheets**



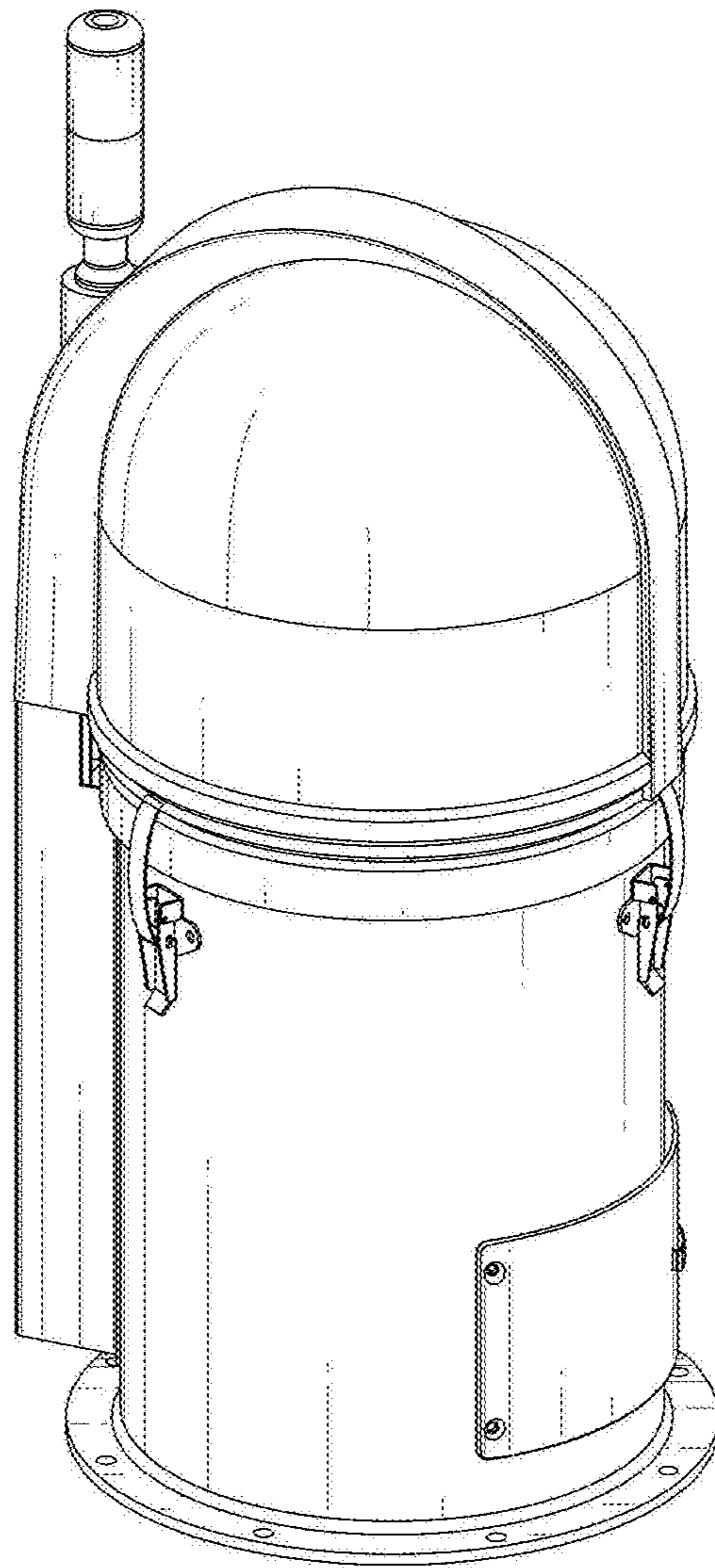


Fig. 1

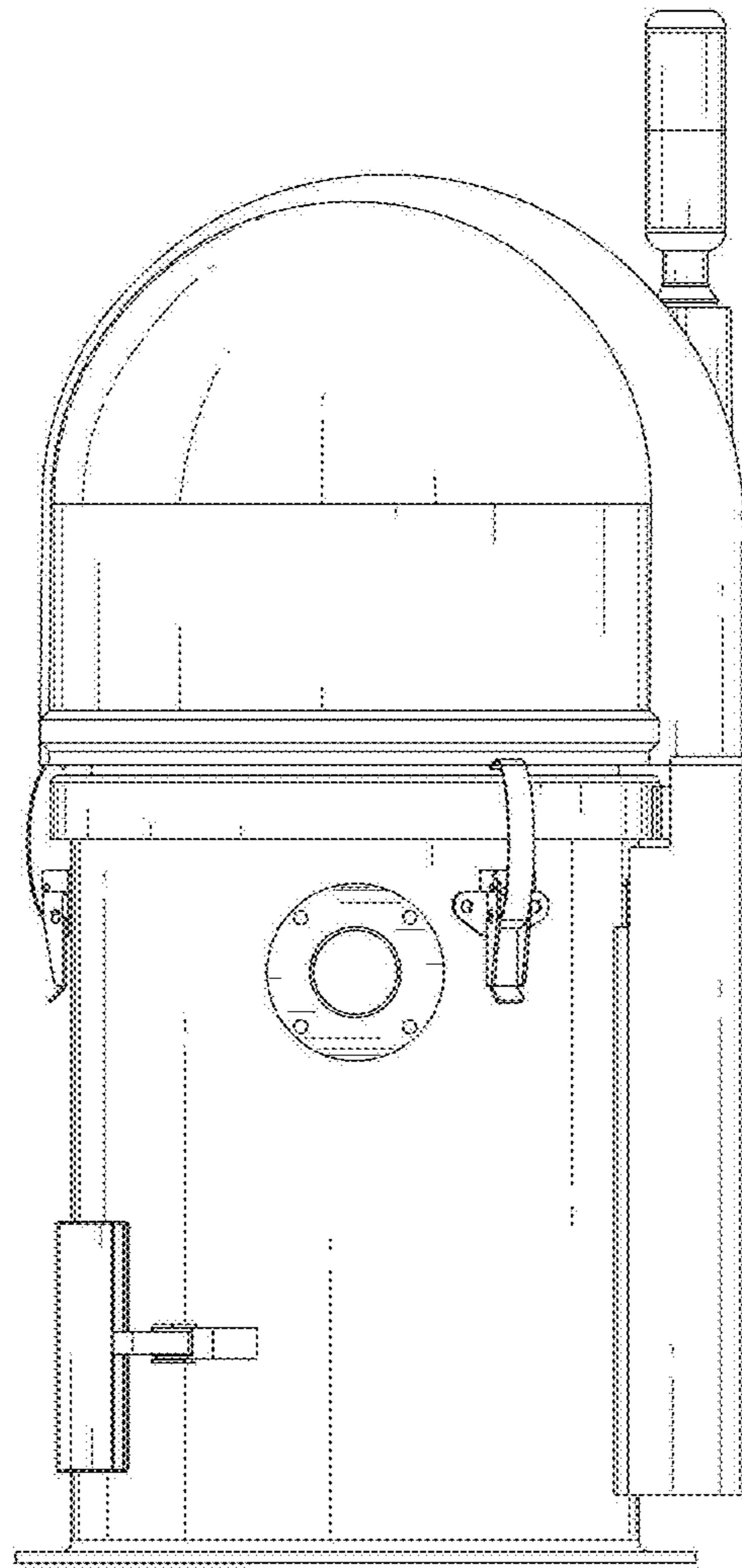


Fig. 2

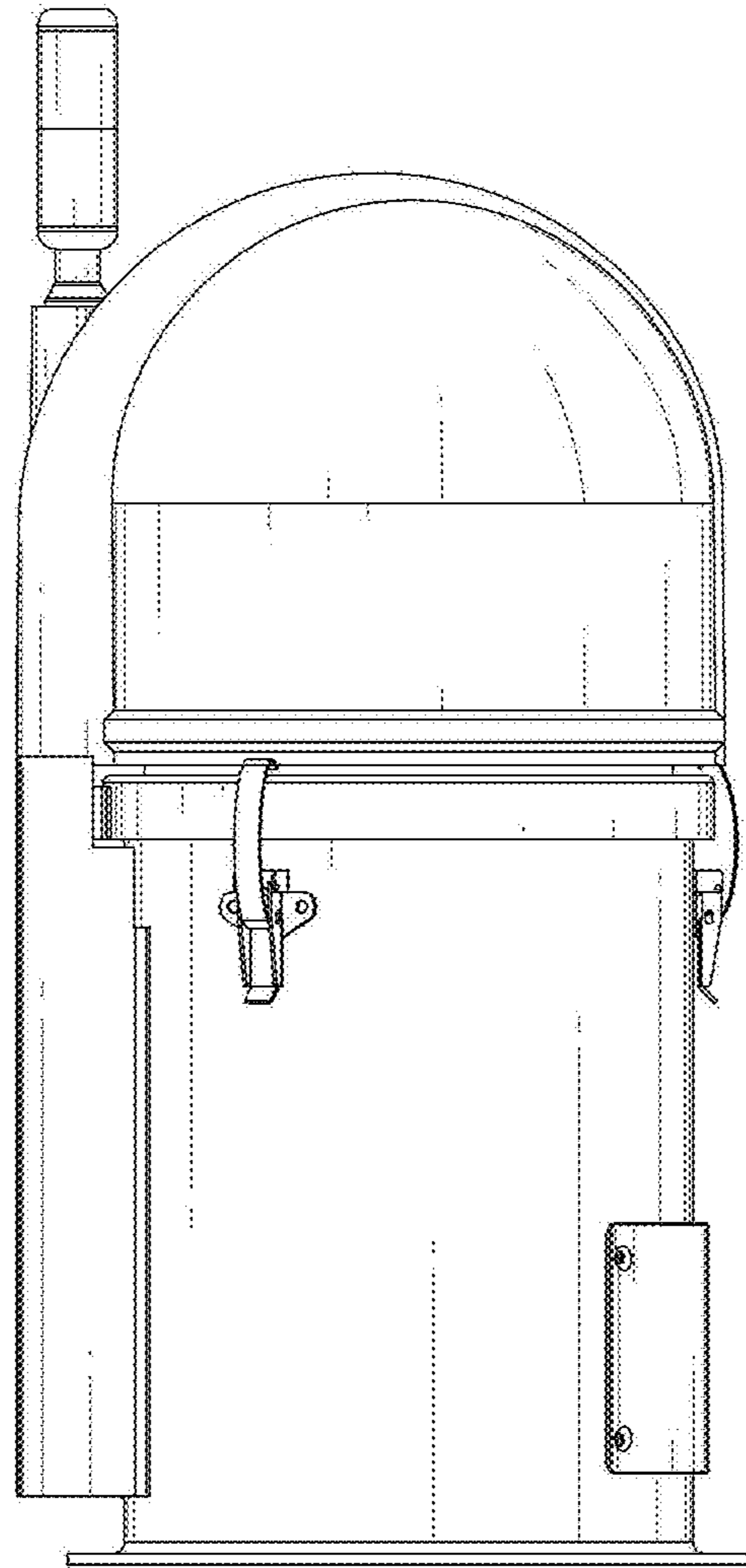


Fig. 3

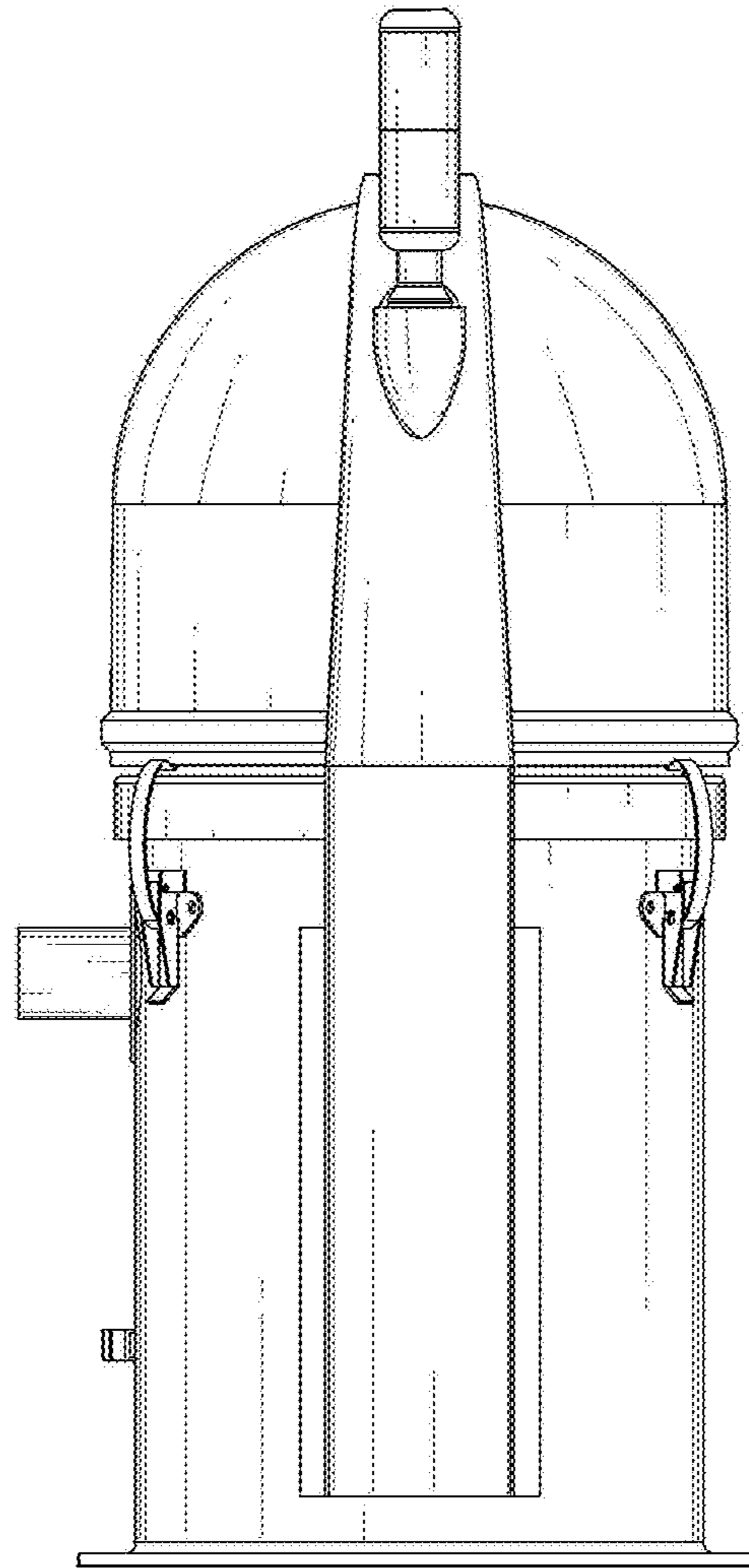


Fig. 4

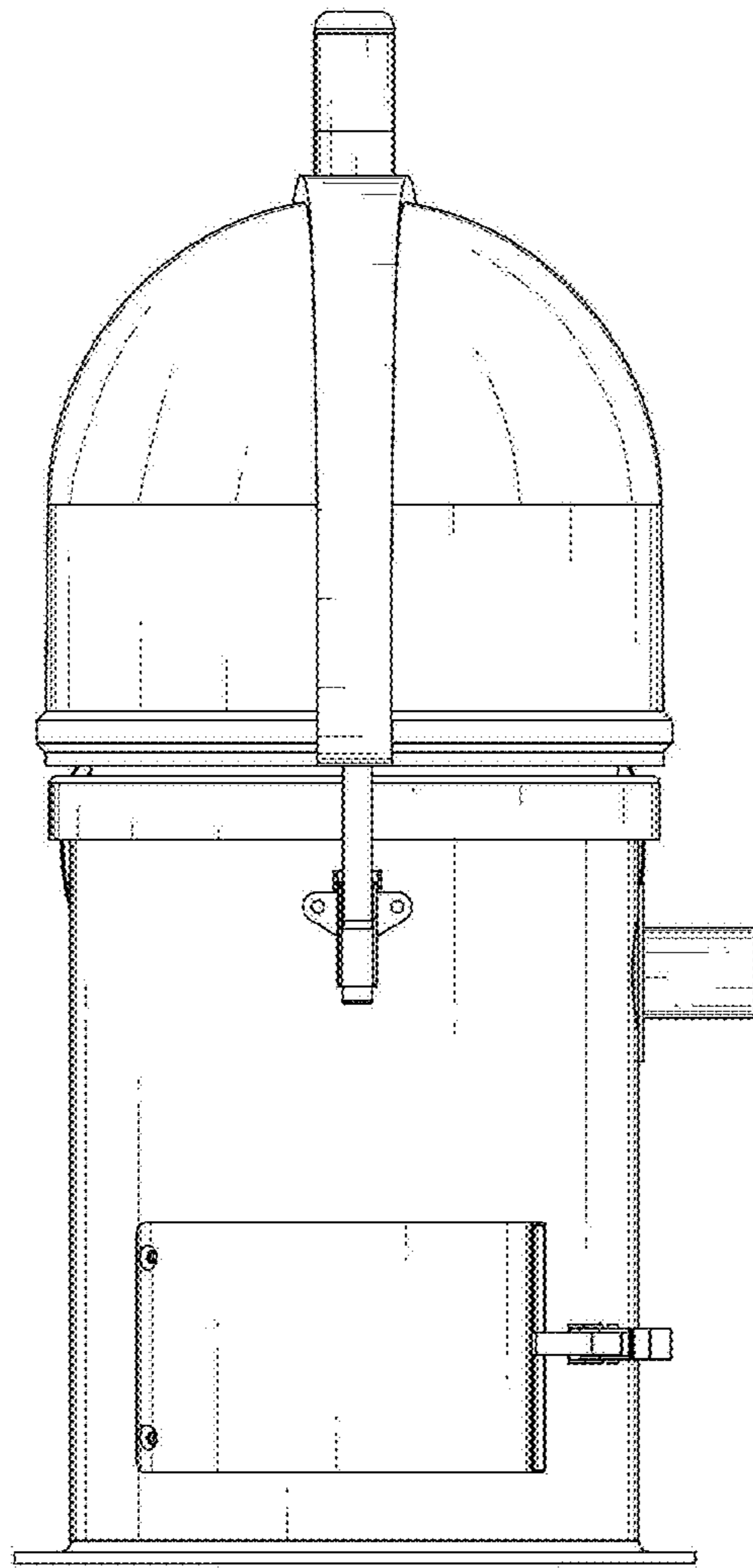


Fig. 5

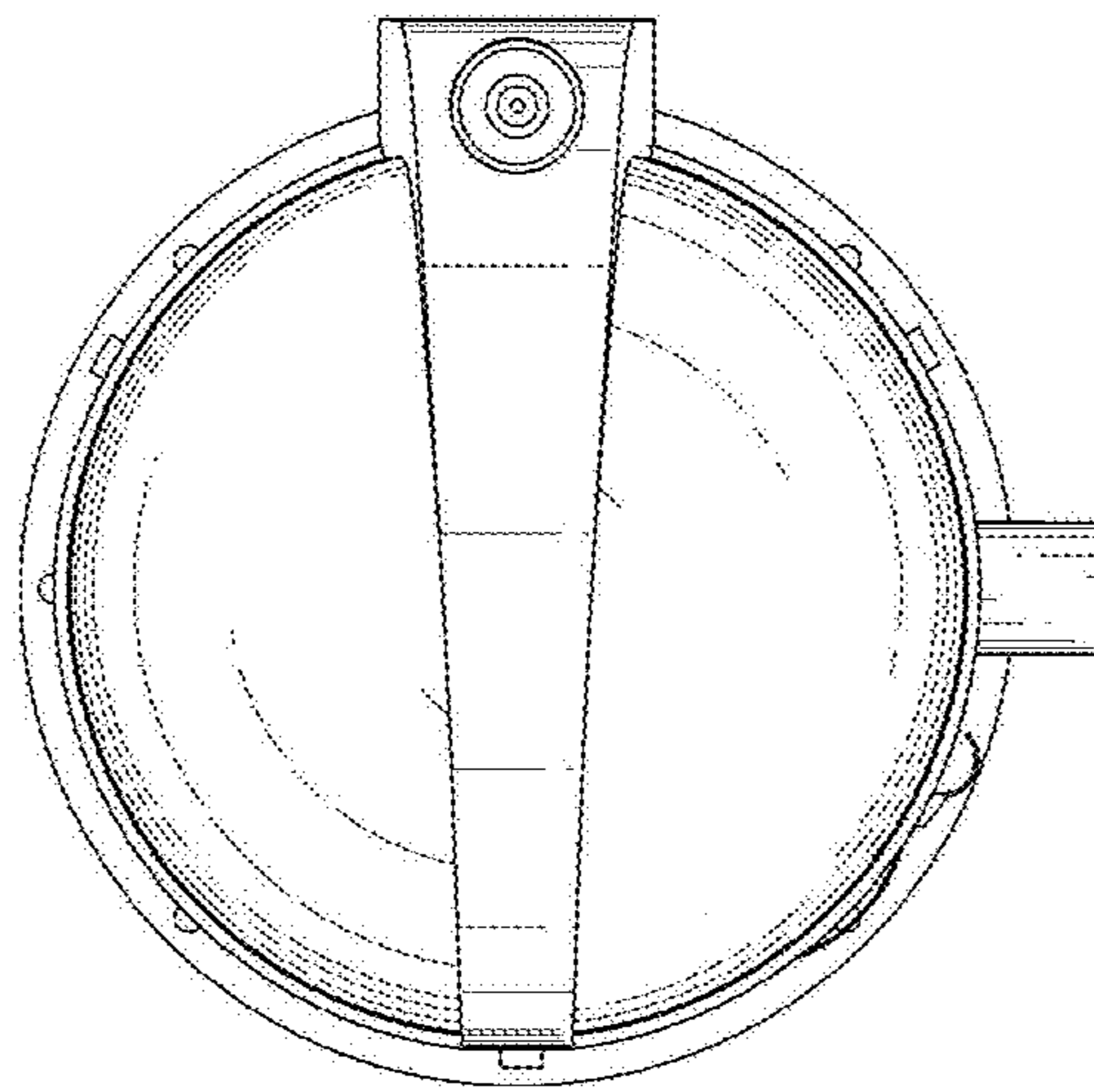


Fig. 6

UNITED STATES PATENT AND TRADEMARK OFFICE  
**CERTIFICATE OF CORRECTION**

PATENT NO. : D688,711 S  
APPLICATION NO. : 29/417974  
DATED : August 27, 2013  
INVENTOR(S) : Moretto

Page 1 of 1

It is certified that error appears in the above-identified patent and that said Letters Patent is hereby corrected as shown below:

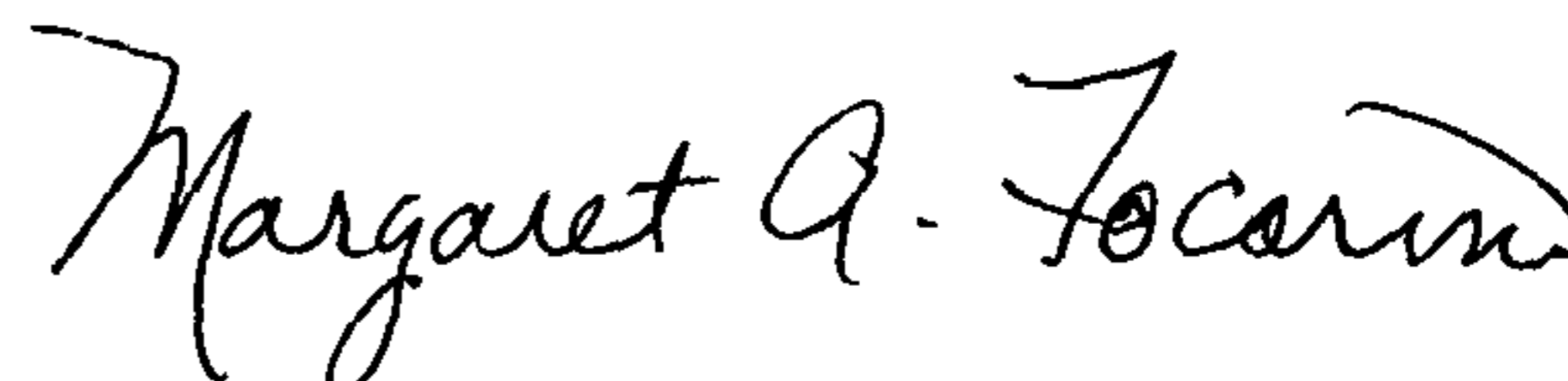
On the Title Page

Item [73] Assignee: Moretto S.p.A., "Massanxago," Padua (IT)

should read:

Item [73] Assignee: Moretto S.p.A., -- Massanzago, -- Padua (IT)

Signed and Sealed this  
Seventh Day of January, 2014



Margaret A. Focarino  
*Commissioner for Patents of the United States Patent and Trademark Office*