



US00D688710S

(12) **United States Design Patent**
Sanwald

(10) **Patent No.:** **US D688,710 S**

(45) **Date of Patent:** **** Aug. 27, 2013**

(54) **POWDER PUMP**

D573,608 S * 7/2008 Chan et al. D15/7

(76) Inventor: **Marco Sanwald**, Abtwil (CH)

* cited by examiner

(**) Term: **14 Years**

Primary Examiner — Ralf Seifert

(21) Appl. No.: **29/421,002**

(74) *Attorney, Agent, or Firm* — Lowe Hauptman Ham & Berner LLP

(22) Filed: **May 2, 2012**

(57) **CLAIM**

The ornamental design for a powder pump, as shown and described.

(30) **Foreign Application Priority Data**

DESCRIPTION

Nov. 2, 2011 (EM) 001300305

(51) **LOC (9) Cl.** **15-02**

(52) **U.S. Cl.**
USPC **D15/7**

(58) **Field of Classification Search**
USPC D15/7-9; D23/231, 232, 225; 417/60,
417/235, 265, 321, 355, 358, 363, 359, 410.1,
417/415-416, 405, 900; 60/408, 412;
184/26-37; 415/140-147; 123/495, 509
See application file for complete search history.

The file of this patent contains at least one drawing/photograph executed in color. Copies of this patent with color drawing(s)/photograph(s) will be provided by the Office upon request and payment of the necessary fee.

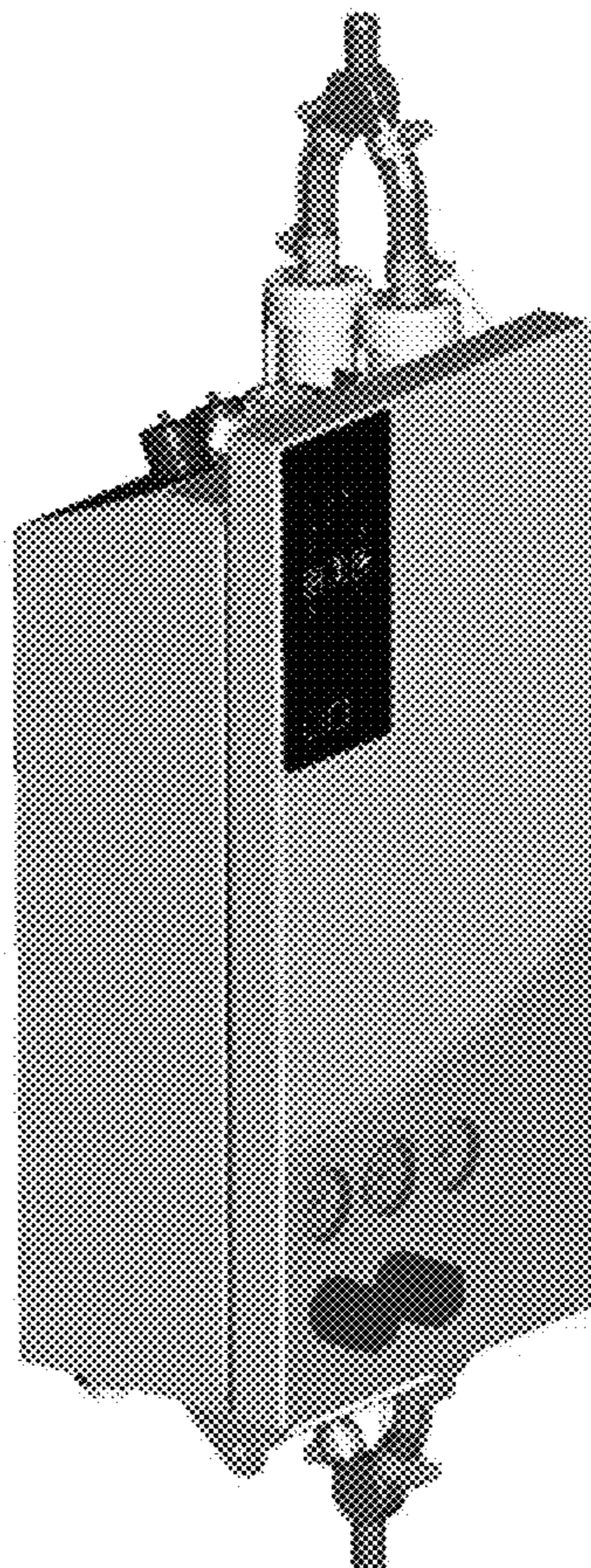
FIG. 1 is a front view of a powder pump bearing the design; FIG. 2 is a back view of the powder pump of FIG. 1; FIG. 3 is a left side view of the powder pump of FIG. 1; FIG. 4 is a right side view of the powder pump of FIG. 1; FIG. 5 is a top view of the powder pump of FIG. 1; FIG. 6 is a bottom view of the powder pump of FIG. 1; and, FIG. 7 is a perspective view from the front left of the powder pump of FIG. 1.

(56) **References Cited**

U.S. PATENT DOCUMENTS

D498,242 S * 11/2004 Song et al. D15/7
D516,090 S * 2/2006 Gist et al. D15/9

1 Claim, 7 Drawing Sheets
(7 of 7 Drawing Sheet(s) Filed in Color)



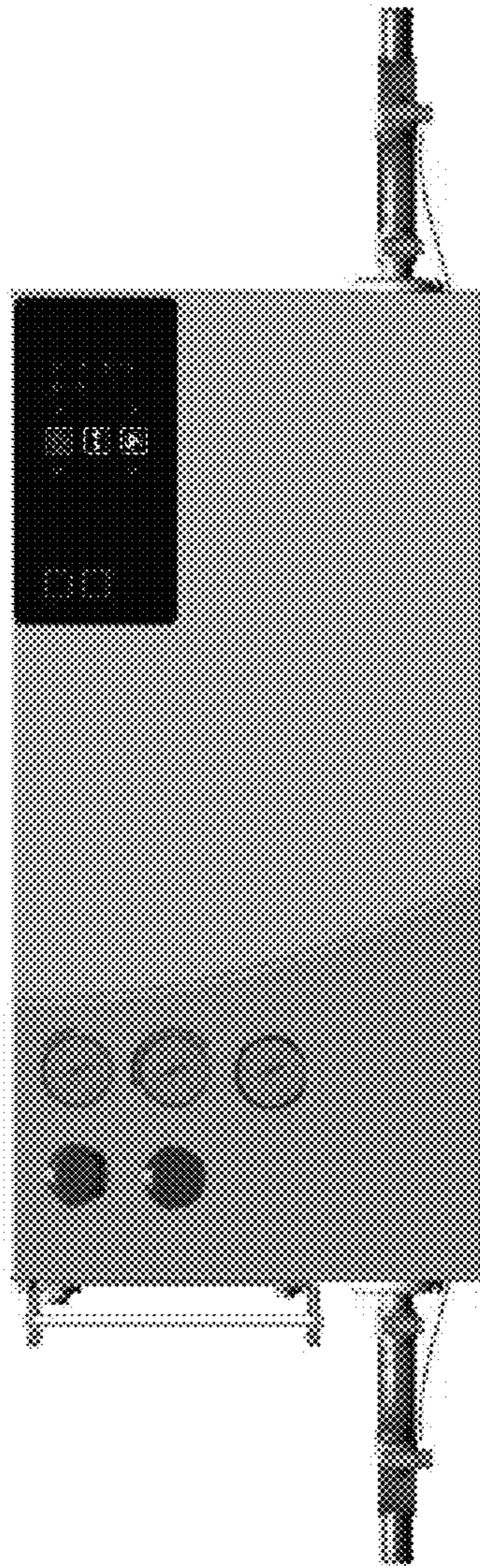


Fig. 1

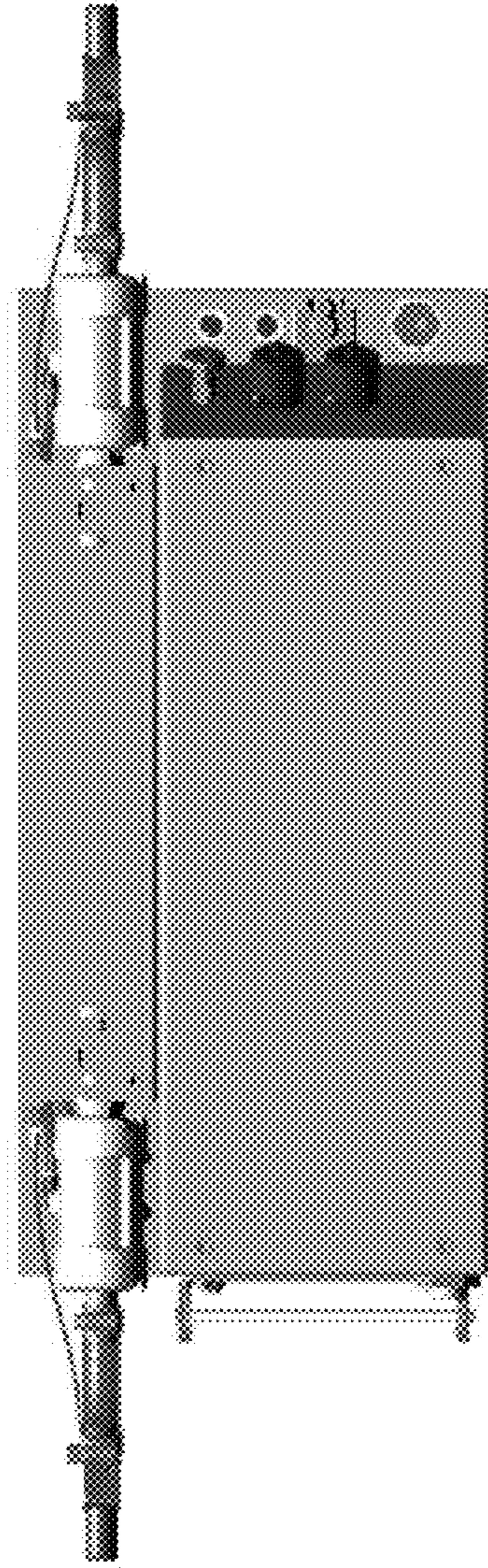


Fig. 2

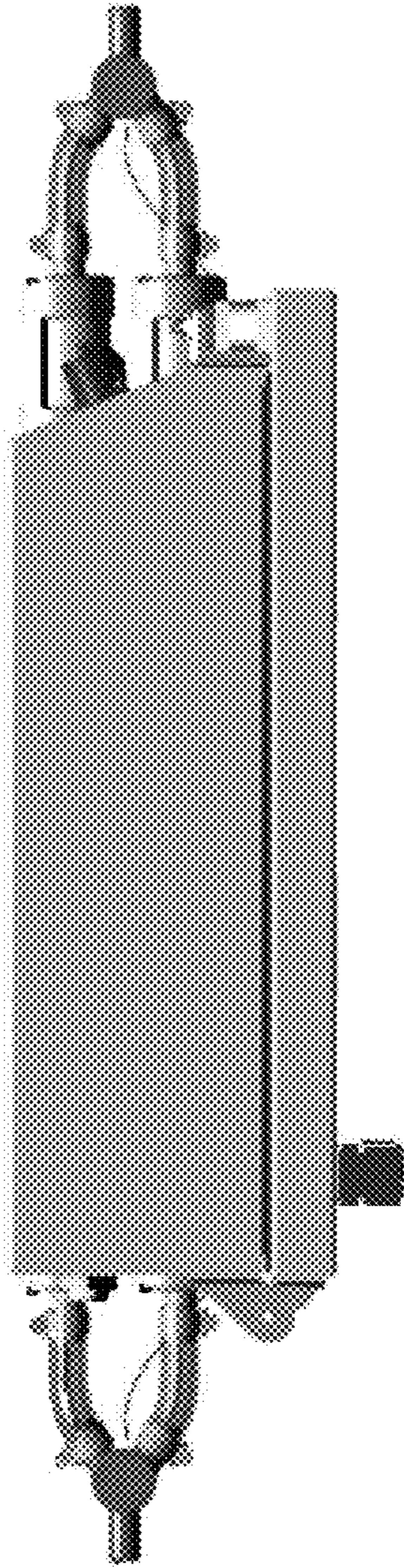


Fig. 3

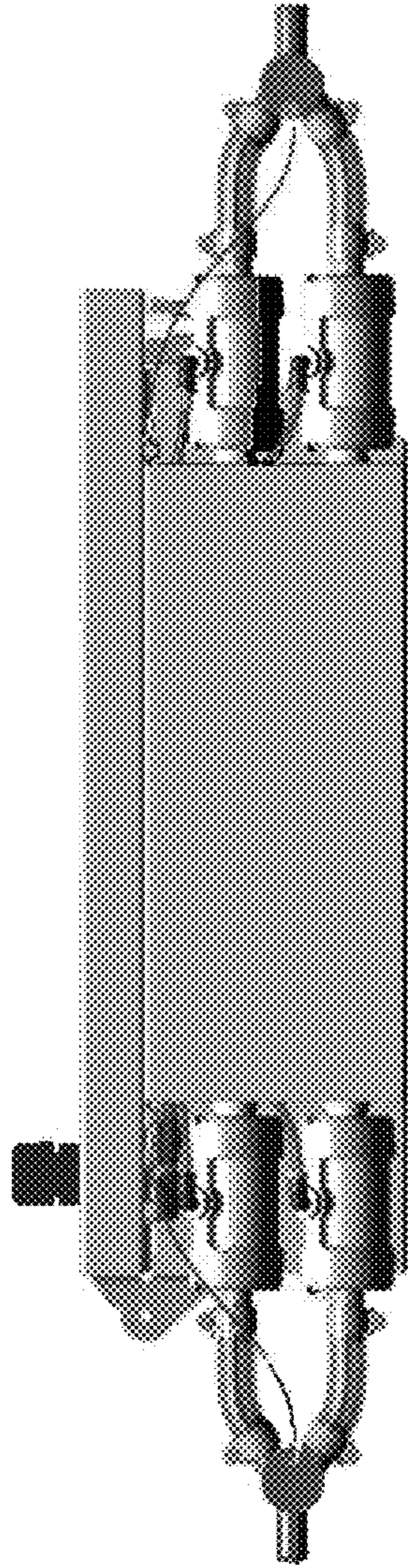


Fig. 4

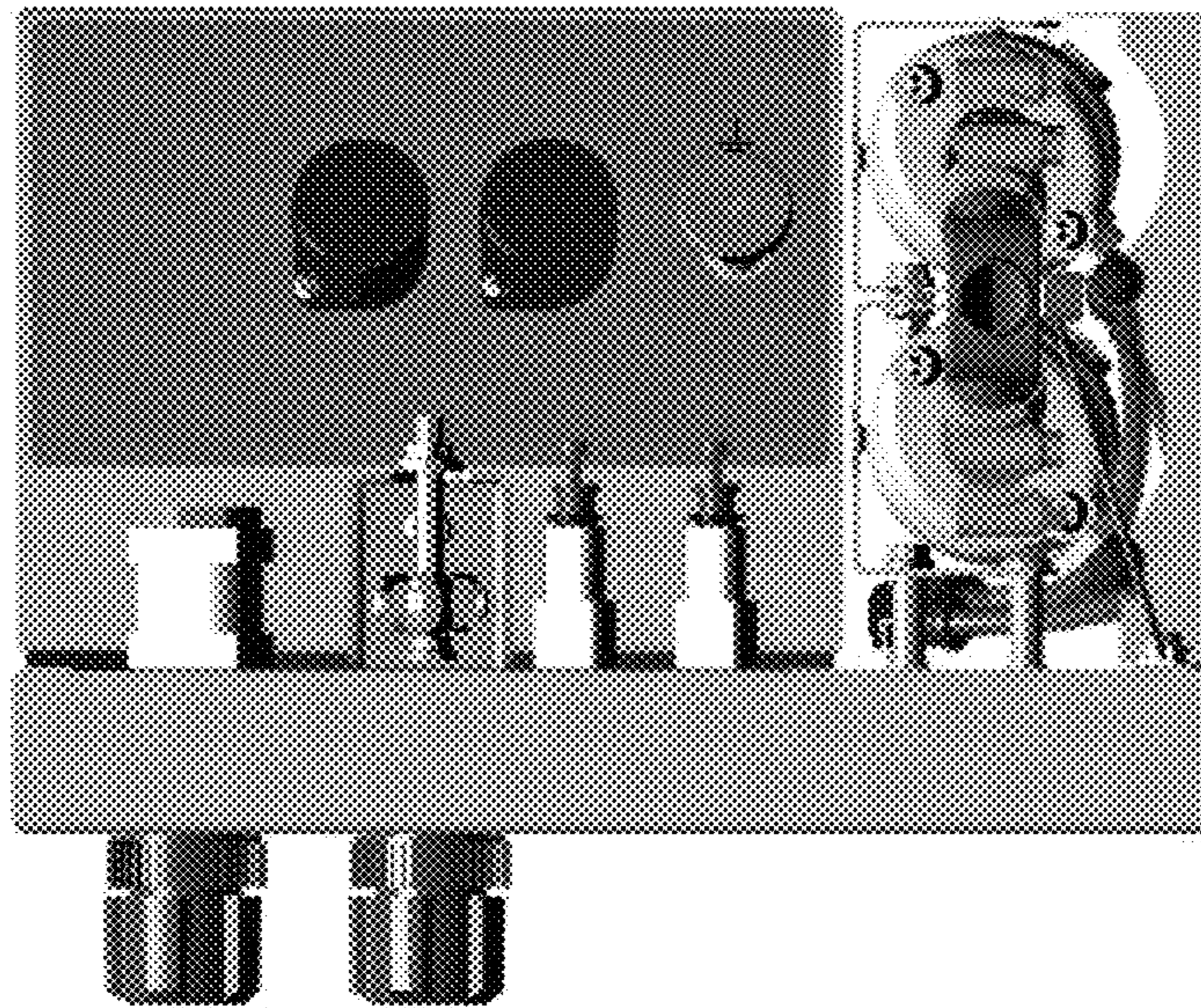


Fig. 5

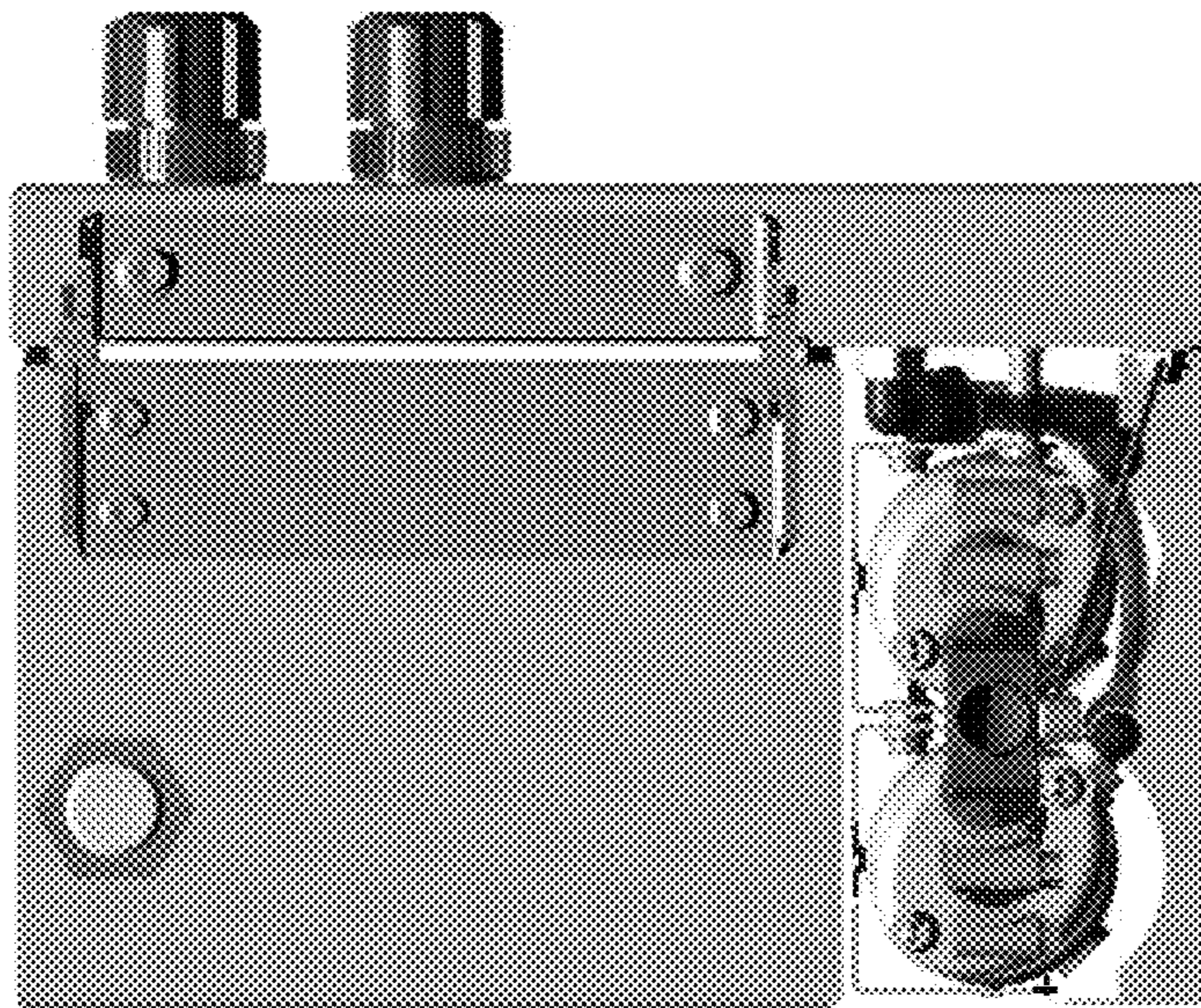


Fig. 6

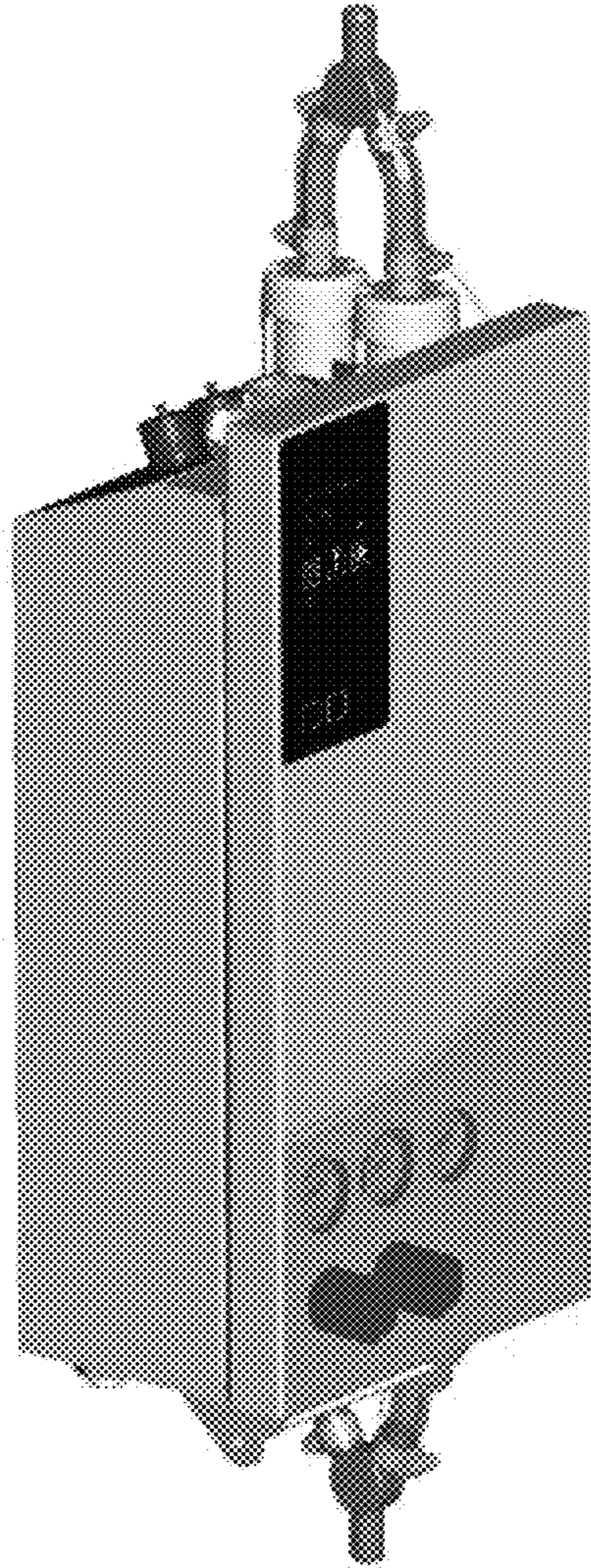


Fig. 7