



US00D688709S

(12) **United States Design Patent**  
**Sanwald**

(10) **Patent No.:** **US D688,709 S**

(45) **Date of Patent:** **\*\* Aug. 27, 2013**

(54) **POWDER PUMP**

D573,608 S \* 7/2008 Chan et al. .... D15/7

(76) Inventor: **Marco Sanwald**, Abtwil (CH)

\* cited by examiner

(\*\*) Term: **14 Years**

*Primary Examiner* — Ralf Seifert

(21) Appl. No.: **29/419,867**

(74) *Attorney, Agent, or Firm* — Lowe Hauptman Ham & Berner, LLP

(22) Filed: **May 2, 2012**

(57) **CLAIM**

The ornamental design for a powder pump, as shown and described.

(30) **Foreign Application Priority Data**

**DESCRIPTION**

Nov. 2, 2011 (EM) ..... 001300305

(51) **LOC (9) Cl.** ..... **15-02**

(52) **U.S. Cl.**  
USPC ..... **D15/7**

(58) **Field of Classification Search**  
USPC ..... D15/7-9; D23/231, 232, 225; 417/60,  
417/235, 265, 321, 355, 358, 363, 359, 410.1,  
417/415-416, 405, 900; 60/408, 412;  
184/26-37; 415/140-147; 123/495, 509  
See application file for complete search history.

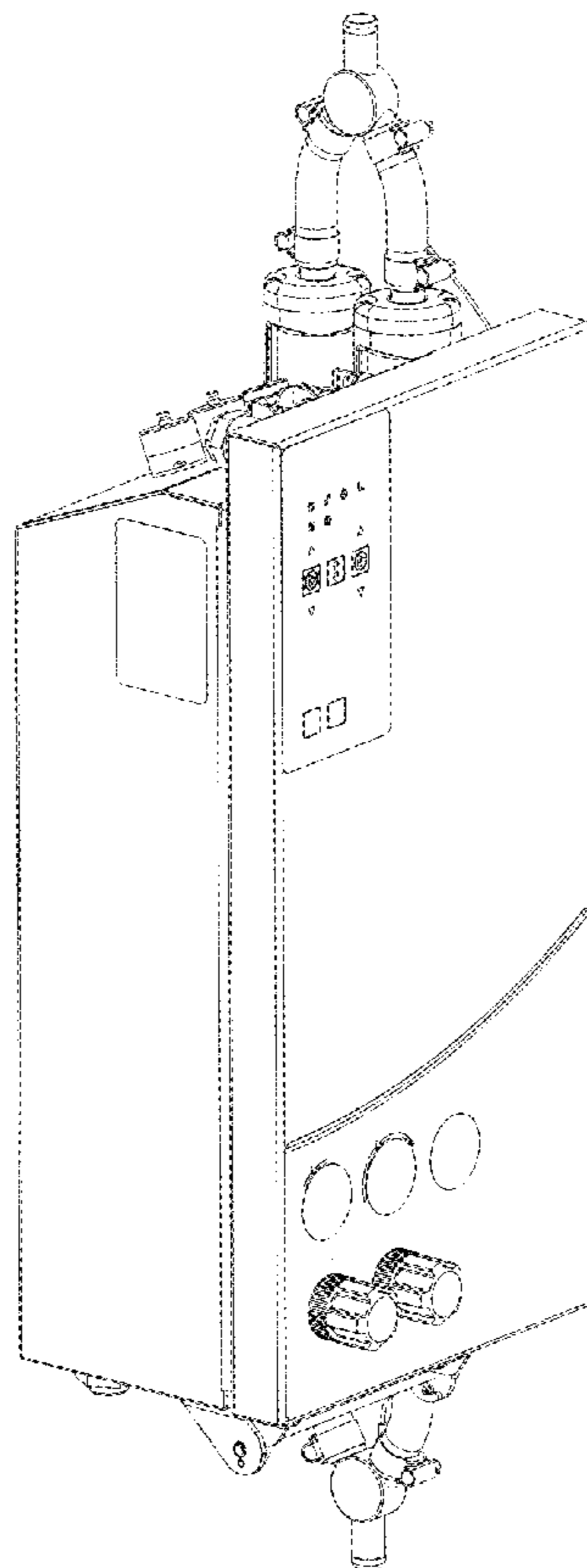
FIG. 1 is a perspective view from the front of a powder pump bearing the design;  
FIG. 2 is a perspective view from the back of the powder pump of FIG. 1;  
FIG. 3 is a perspective view from the left side of the powder pump of FIG. 1;  
FIG. 4 is a perspective view from the right side of the powder pump of FIG. 1;  
FIG. 5 is a perspective view from the top of the powder pump of FIG. 1;  
FIG. 6 is a perspective view from the bottom of the powder pump of FIG. 1; and,  
FIG. 7 is a perspective view from the front left of the powder pump of FIG. 1.

(56) **References Cited**

**U.S. PATENT DOCUMENTS**

D498,242 S \* 11/2004 Song et al. .... D15/7  
D516,090 S \* 2/2006 Gist et al. .... D15/9

**1 Claim, 7 Drawing Sheets**



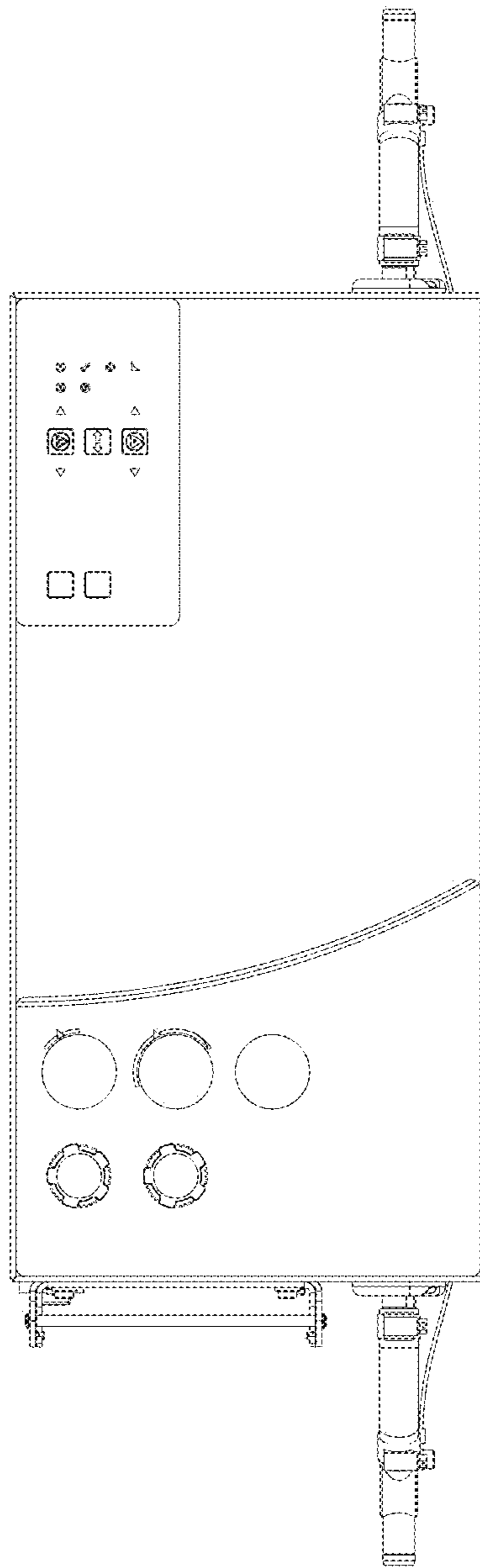


Fig. 1

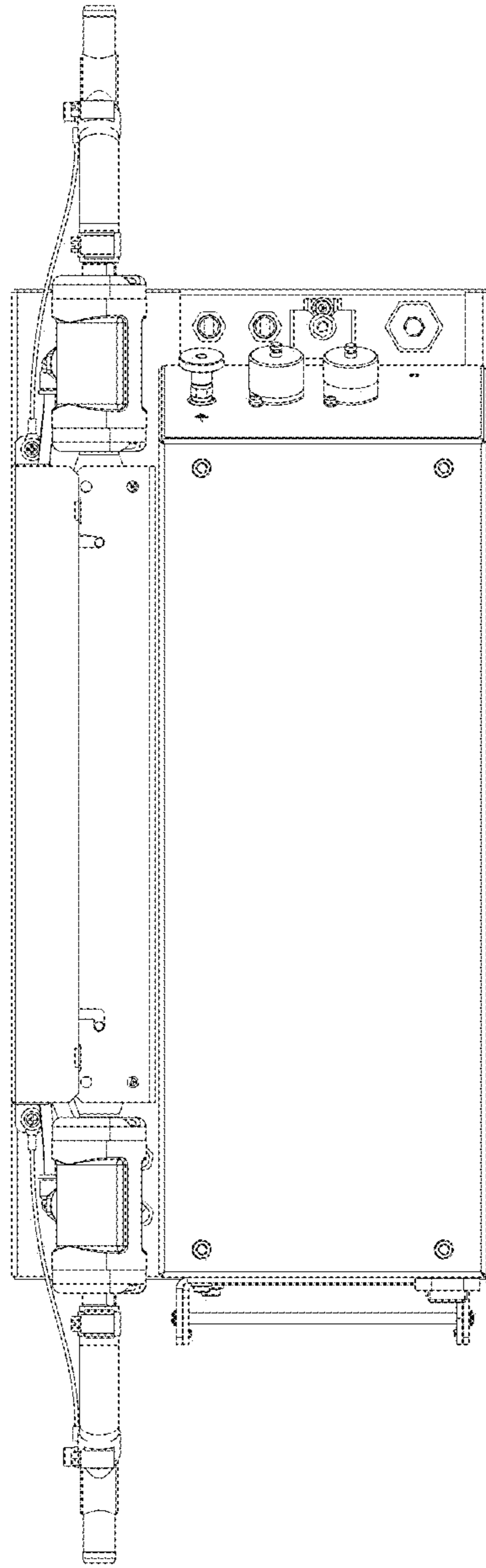


Fig. 2

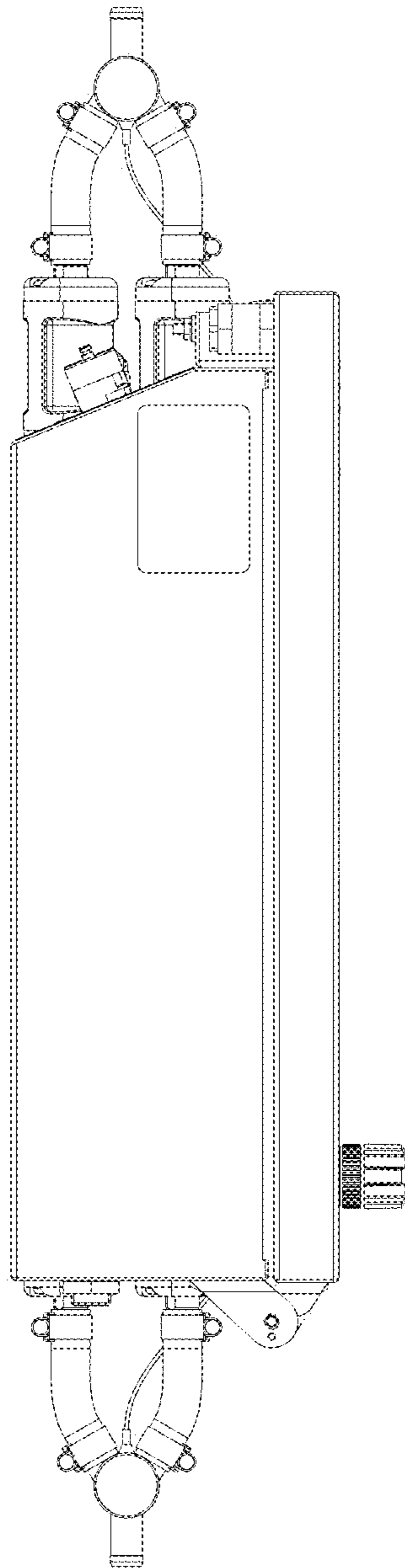


Fig. 3

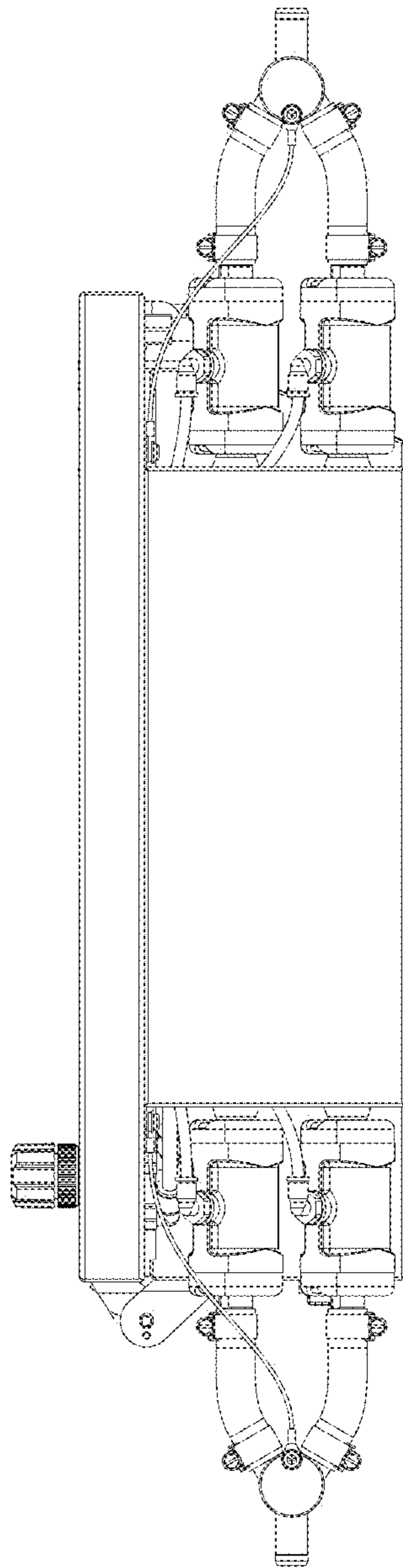


Fig. 4

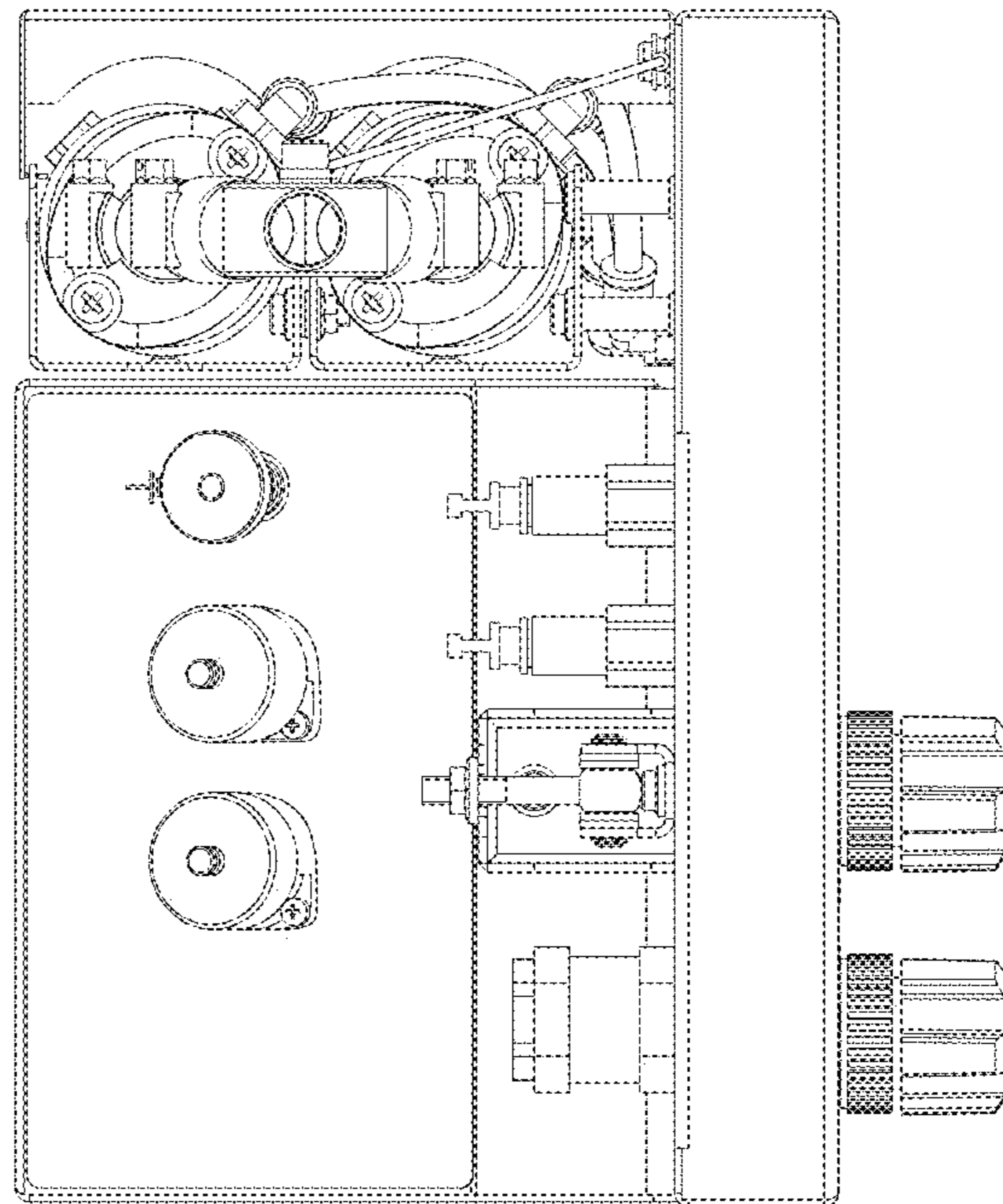


Fig. 5

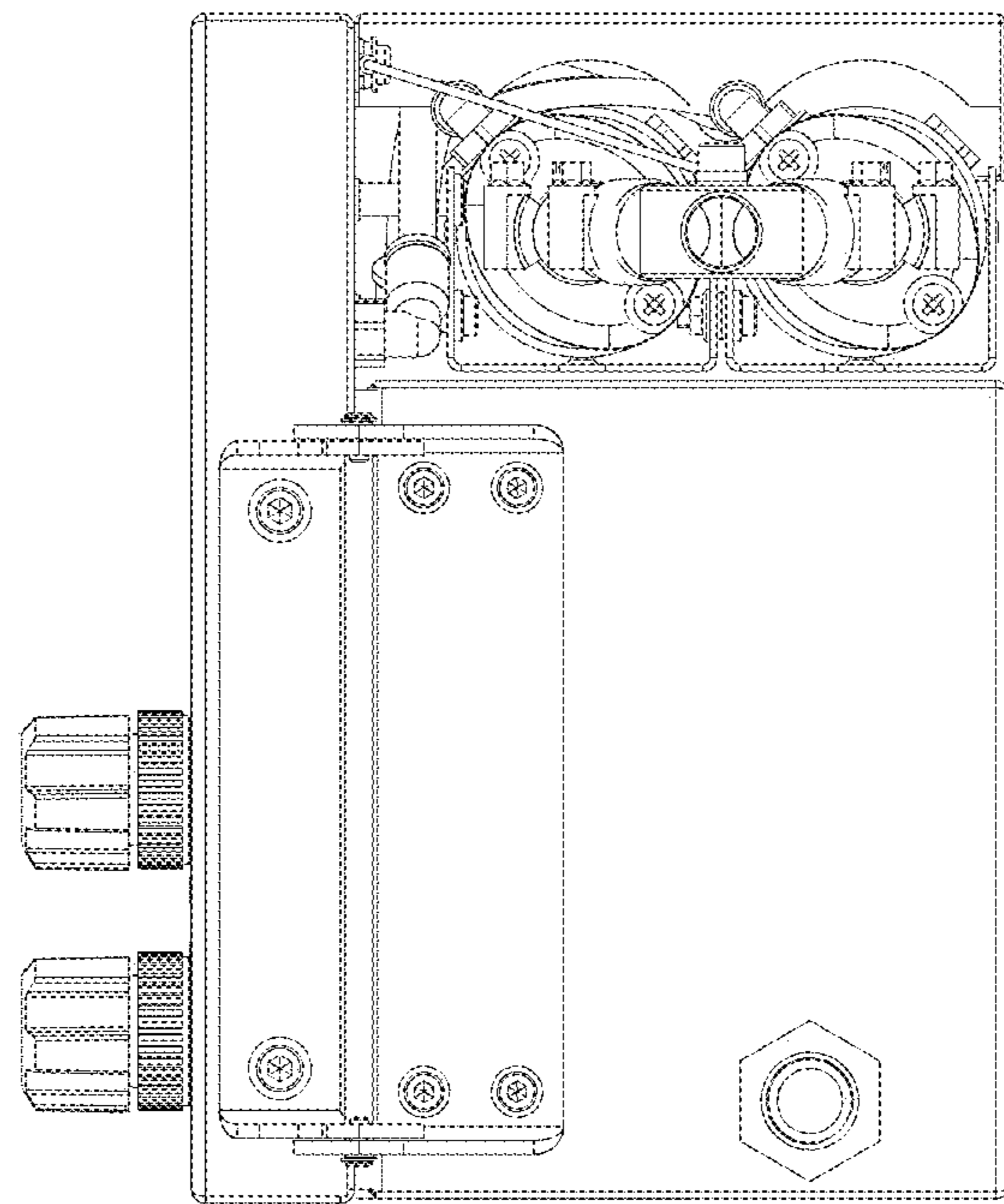


Fig. 6

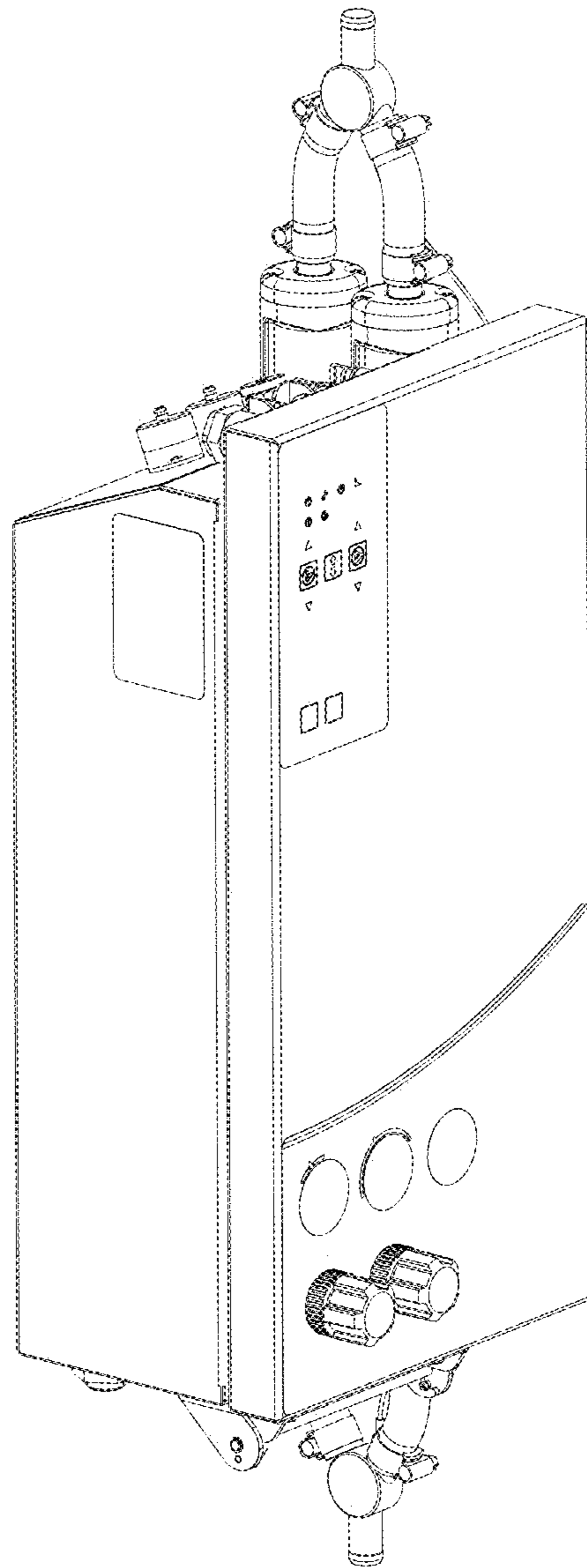


Fig. 7