



US00D688707S

(12) **United States Design Patent**
Vincent et al.

(10) **Patent No.:** **US D688,707 S**

(45) **Date of Patent:** **** Aug. 27, 2013**

(54) **ELECTRONICS ENCLOSURE**

(75) Inventors: **Anthony Laith Vincent**, Charlottesville, VA (US); **Kenneth Wayne Crawford**, Charlottesville, VA (US); **Vinson R. Epperson**, Ruckersville, VA (US)

(73) Assignee: **GE Intelligent Platforms, Inc.**, Charlottesville, VA (US)

(**) Term: **14 Years**

(21) Appl. No.: **29/422,060**

(22) Filed: **May 16, 2012**

(51) **LOC (9) Cl.** **14-03**

(52) **U.S. Cl.**
USPC **D14/496**

(58) **Field of Classification Search**
USPC D14/496, 401, 435, 474, 483, 217, D14/137, 138, 160, 168, 356, 203.1–203.8, D14/507; 345/156, 169, 173–179, 905; 715/727–729, 864; 710/1, 5, 8; 713/1, 600; 455/1.1, 1.7, 73, 344–347, 93, 95, 3.01–3.06, 455/550.1, 573.1; 370/342–344; 369/1, 369/2, 6–12; 463/43–47; 273/148 B
See application file for complete search history.

(56) **References Cited**

U.S. PATENT DOCUMENTS

5,031,791 A * 7/1991 Serio, Jr. 220/281
5,162,610 A * 11/1992 Clifton et al. 174/372

5,305,183 A * 4/1994 Teynor 361/679.55
D347,210 S * 5/1994 Sharpe D13/184
D381,319 S * 7/1997 Nogas D14/313
D455,408 S * 4/2002 Vackar D13/184
D499,074 S * 11/2004 Cook et al. D13/179
7,118,483 B2 * 10/2006 Beadell et al. 463/46
D615,968 S * 5/2010 Herbst et al. D14/300
D647,918 S * 11/2011 Ledbetter et al. D14/496
D650,394 S * 12/2011 Seoc et al. D14/496
8,081,466 B2 * 12/2011 Kaufman et al. 361/708
D653,675 S * 2/2012 Akana et al. D14/496

* cited by examiner

Primary Examiner — Prabhakar Deshmukh

(74) *Attorney, Agent, or Firm* — Global Patent Operation; Mark A. Conklin

(57) **CLAIM**

The ornamental design for an electronic enclosure, as shown and described.

DESCRIPTION

FIG. 1 is a perspective view of an electronic enclosure showing our new design;
FIG. 2 is a top plan view thereof;
FIG. 3 is a side elevational view thereof;
FIG. 4 is a front elevational view thereof; and,
FIG. 5 is a rear elevational view thereof.
The bottom surface of the design is not shown and forms no part of our design.

1 Claim, 3 Drawing Sheets

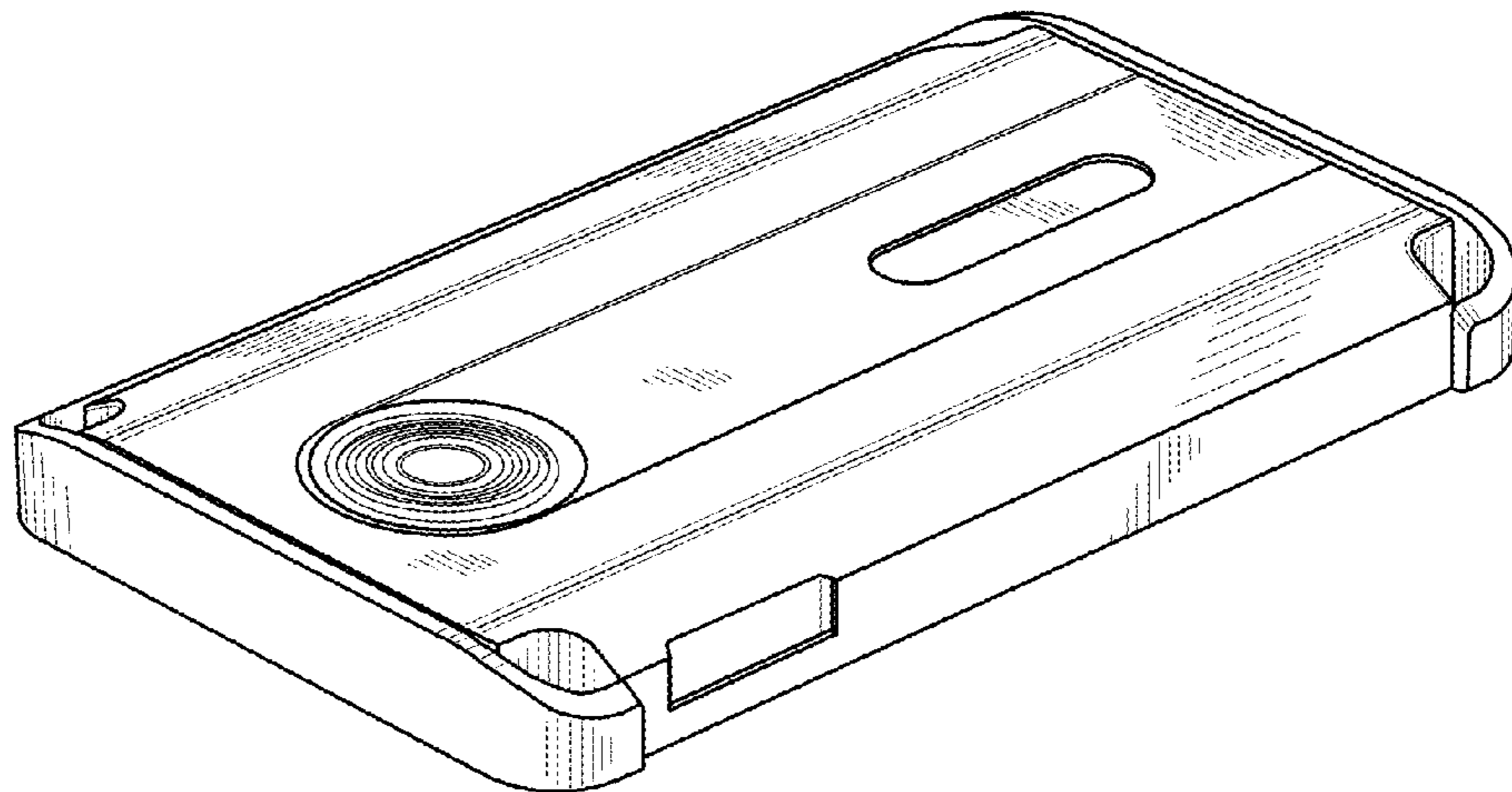


Figure 1

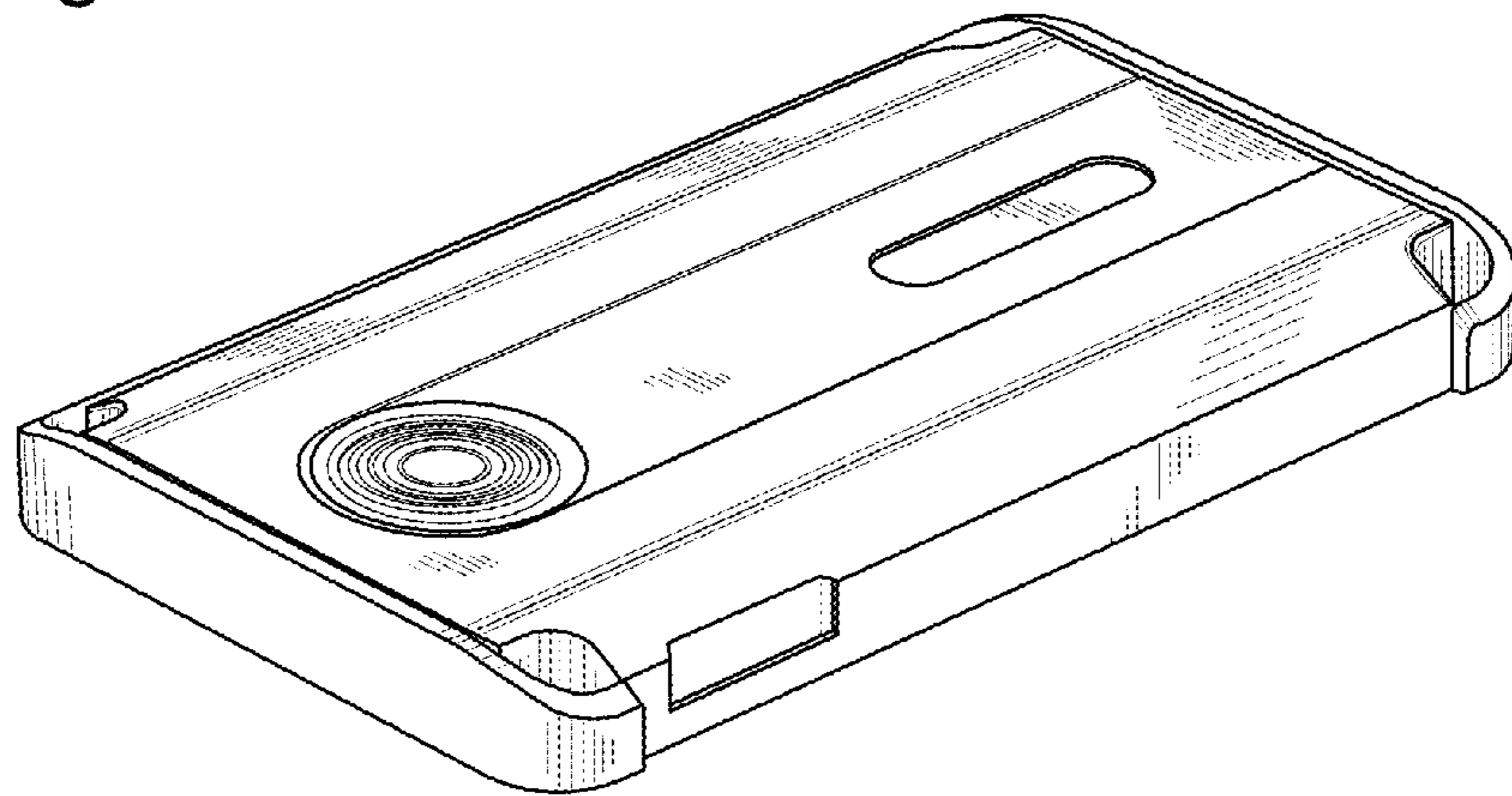


Figure 2

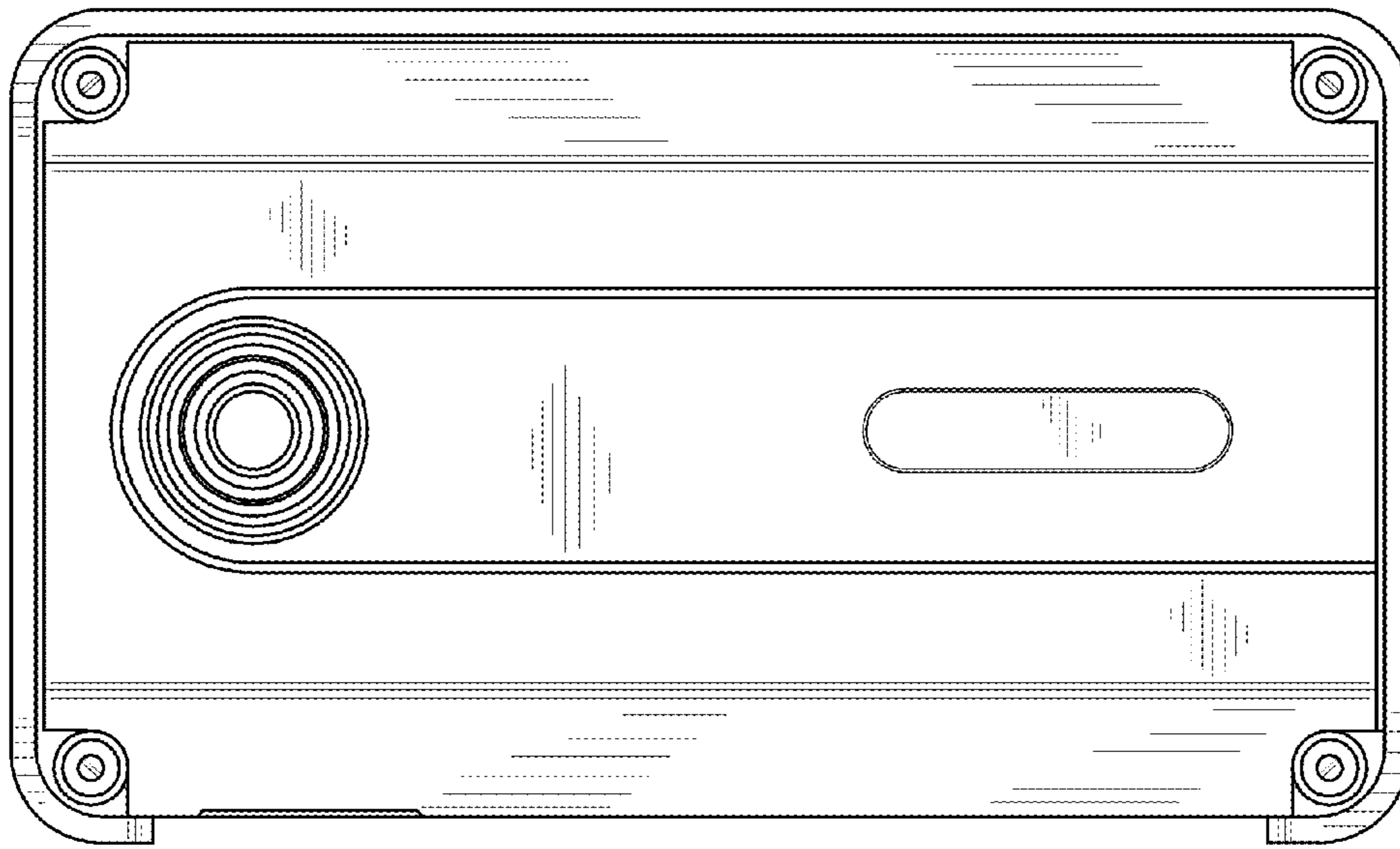


Figure 3

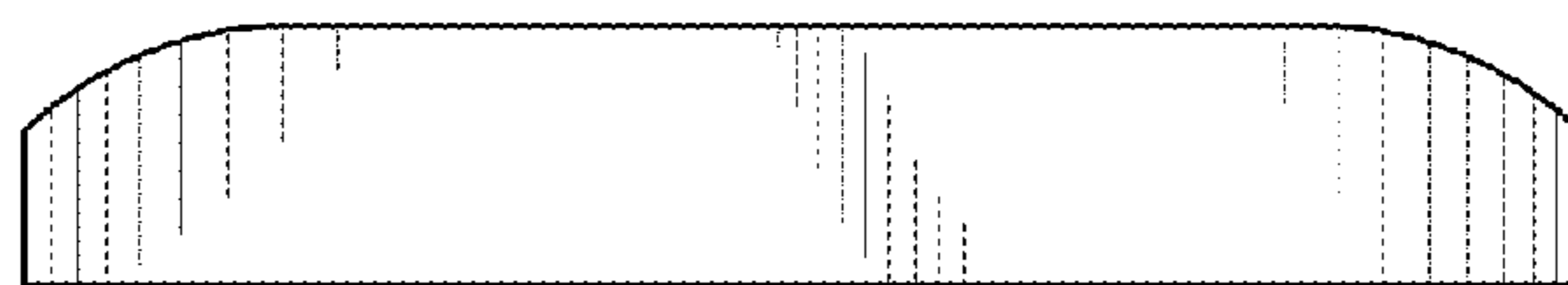


Figure 4

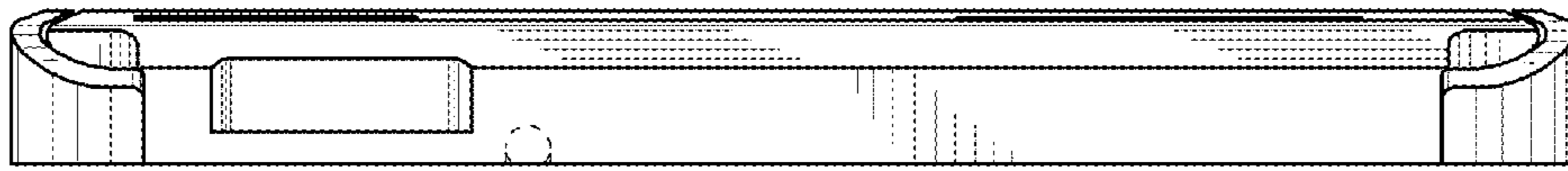


Figure 5

