



US00D688706S

(12) **United States Design Patent**  
**Lee et al.**

(10) **Patent No.:** **US D688,706 S**

(45) **Date of Patent:** **\*\* Aug. 27, 2013**

(54) **USB PORTABLE PLAYER WITH A DISPLAY**

(75) Inventors: **Johann Lee**, Syosset, NY (US); **Hyunno Yun**, Flushing, NY (US)

(73) Assignee: **Coby Electronics Corp.**, Lake Success, NY (US)

(\*\*) Term: **14 Years**

(21) Appl. No.: **29/417,973**

(22) Filed: **Apr. 11, 2012**

(51) **LOC (9) Cl.** ..... **14-03**

(52) **U.S. Cl.**  
USPC ..... **D14/496**

(58) **Field of Classification Search**  
USPC ..... D14/496, 401, 435, 474, 483, 217,  
D14/137, 138, 160, 168, 356, 203.1–203.8,  
D14/507; 345/156, 169, 173–179, 905;  
715/727–729, 864; 710/1, 5, 8; 713/1, 600;  
455/1.1, 1.7, 73, 344–347, 93, 95, 3.01–3.06,  
455/550.1, 573.1; 370/342–344; 369/1,  
369/2, 6–12; 463/43–47; 273/148 B  
See application file for complete search history.

(56) **References Cited**

U.S. PATENT DOCUMENTS

6,671,808	B1 *	12/2003	Abbott et al.	726/4
6,733,329	B2 *	5/2004	Yang	439/518
6,807,591	B2 *	10/2004	Kao	710/74
D500,382	S *	12/2004	Phillips	D26/92
D511,519	S *	11/2005	Bone et al.	D14/480.1
D518,065	S *	3/2006	Kobayashi	D14/203.2

D529,044	S *	9/2006	Andre et al.	D14/203.3
D558,783	S *	1/2008	Andre et al.	D14/496
D592,227	S *	5/2009	Oh et al.	D14/496
D597,068	S *	7/2009	Whang	D14/203.7
D629,011	S *	12/2010	Lee	D14/496
D630,614	S *	1/2011	Lee	D14/203.3

\* cited by examiner

*Primary Examiner* — Prabhakar Deshmukh

(74) *Attorney, Agent, or Firm* — Mayer Brown LLP

(57) **CLAIM**

The ornamental design for a USB portable player with a display, as shown and described.

**DESCRIPTION**

A portion of the disclosure of this patent document contains material to which a claim for copyright is made. The copyright owner has no objection to the facsimile reproduction by anyone of the patent document or the patent disclosure, as it appears in the Patent and Trademark Office patent file or records, but reserves all other copyright rights whatsoever.

FIG. 1 is a side front perspective view of a USB portable player with a display according to an embodiment of my new design;

FIG. 2 is a left side view thereof;

FIG. 3 is a right side view thereof;

FIG. 4 is a front view thereof;

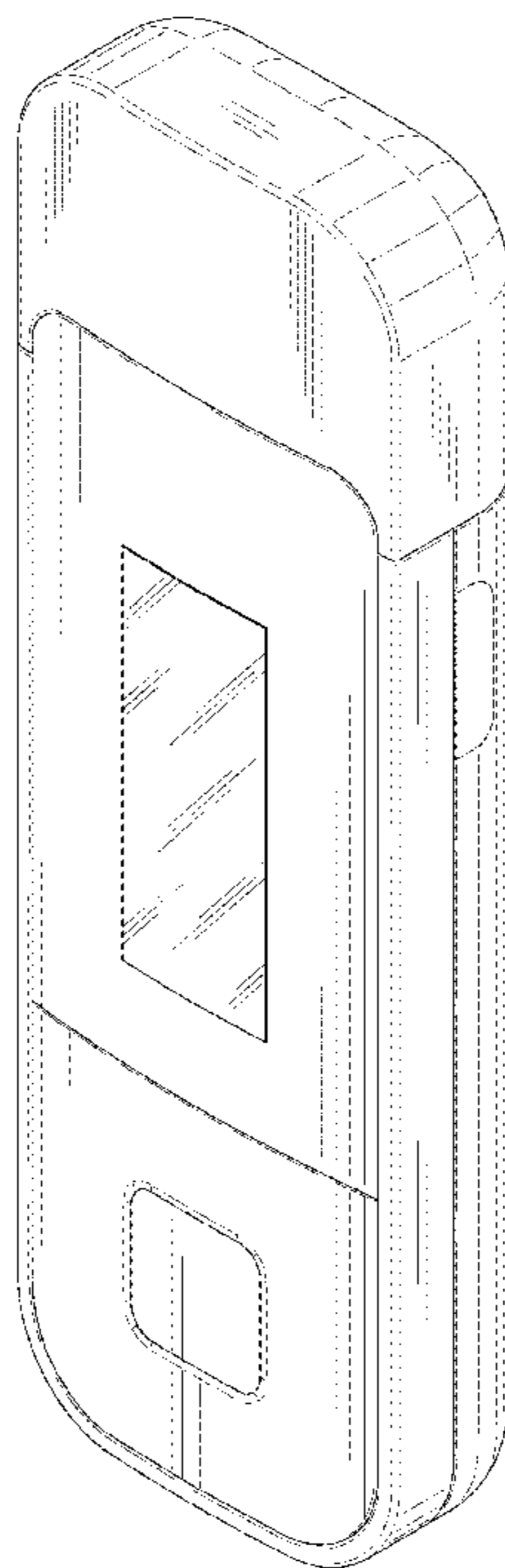
FIG. 5 is a rear view thereof;

FIG. 6 is a top view thereof; and,

FIG. 7 is a bottom view thereof.

The broken lines are for illustrative purpose only and form no part of the claimed design.

**1 Claim, 4 Drawing Sheets**



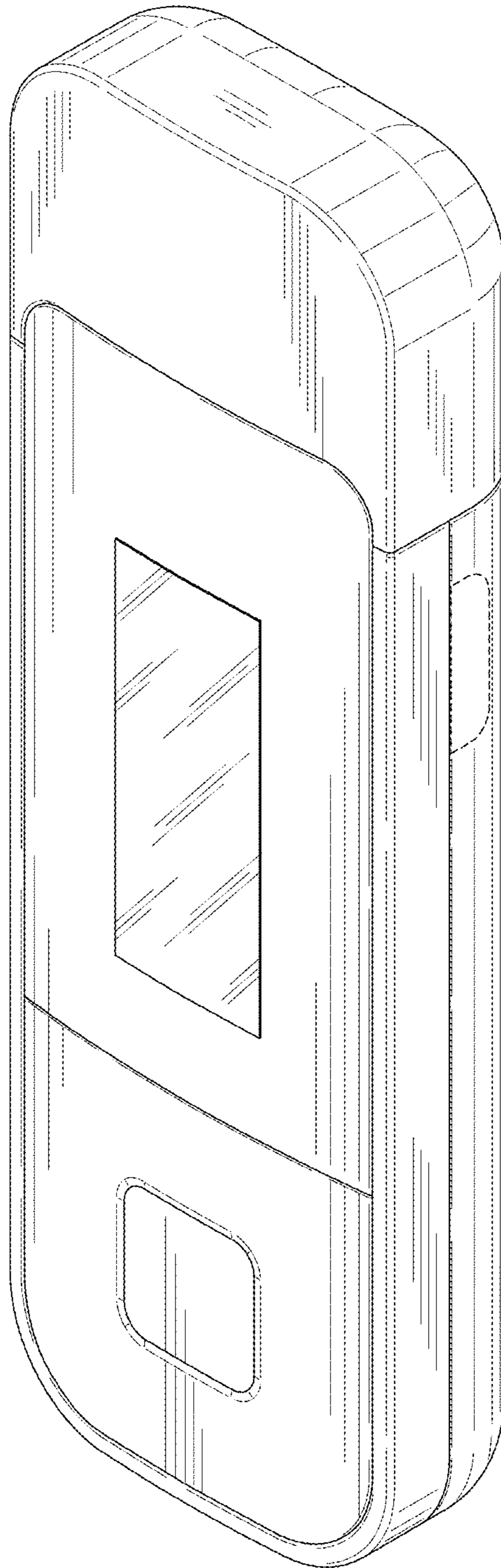


FIG. 1

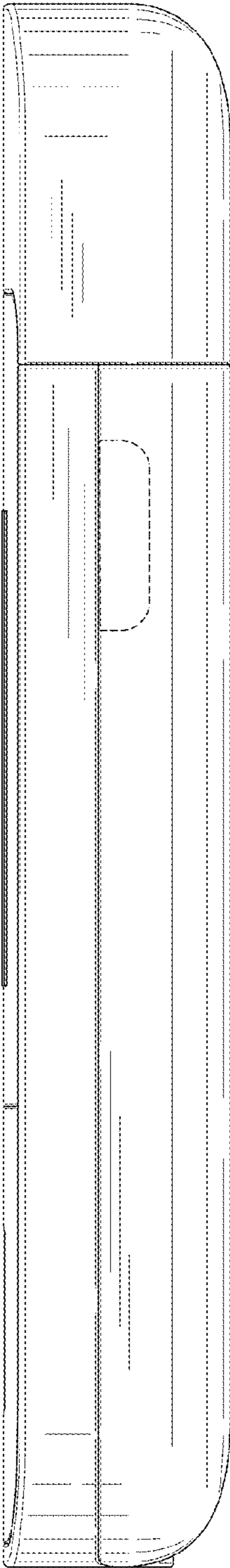


FIG. 2

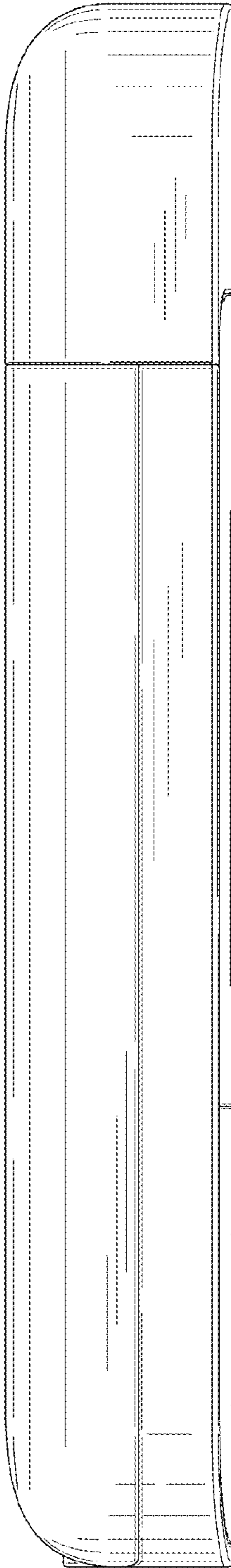


FIG. 3

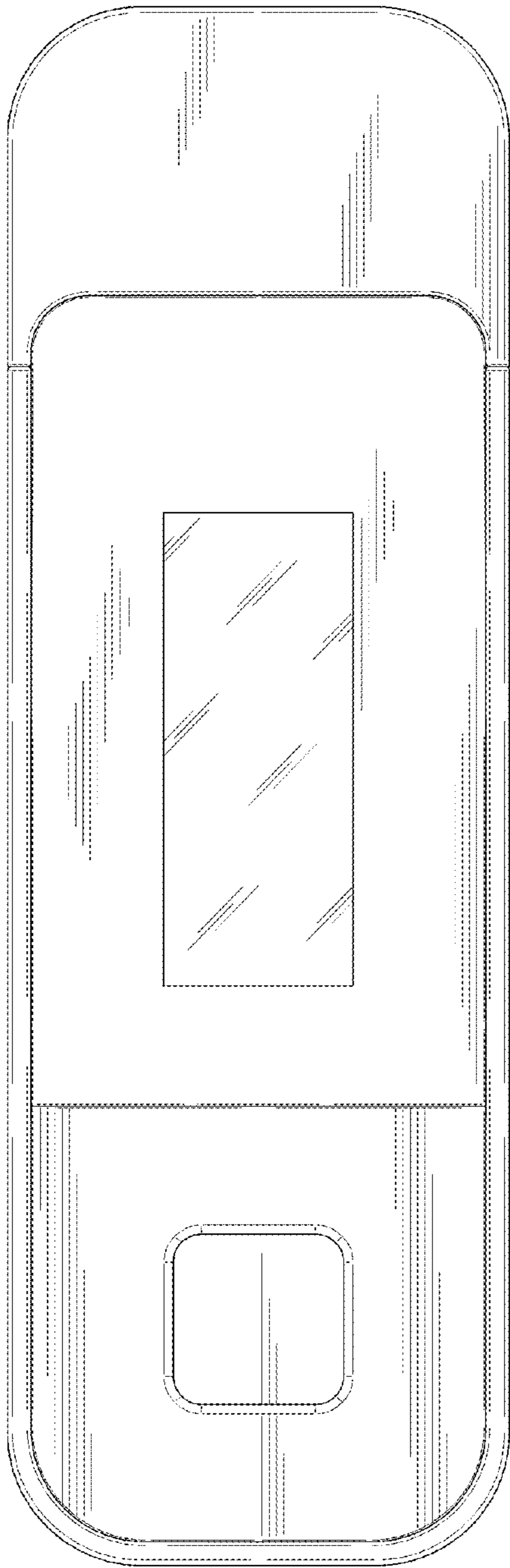


FIG. 4

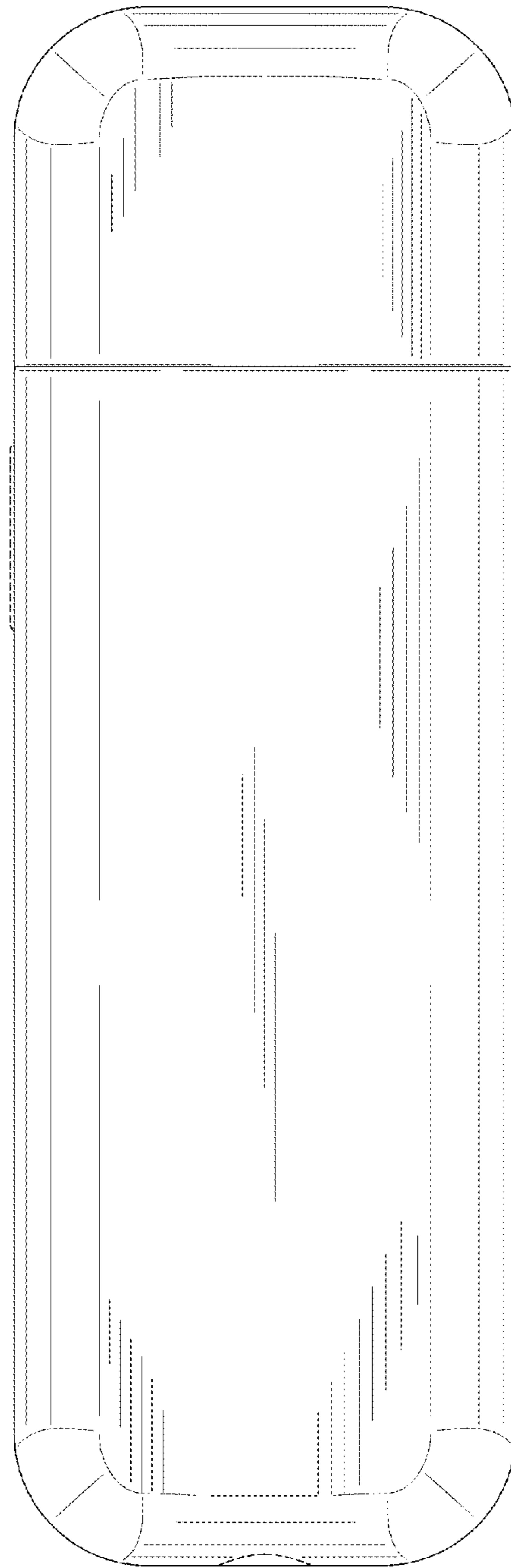


FIG. 5

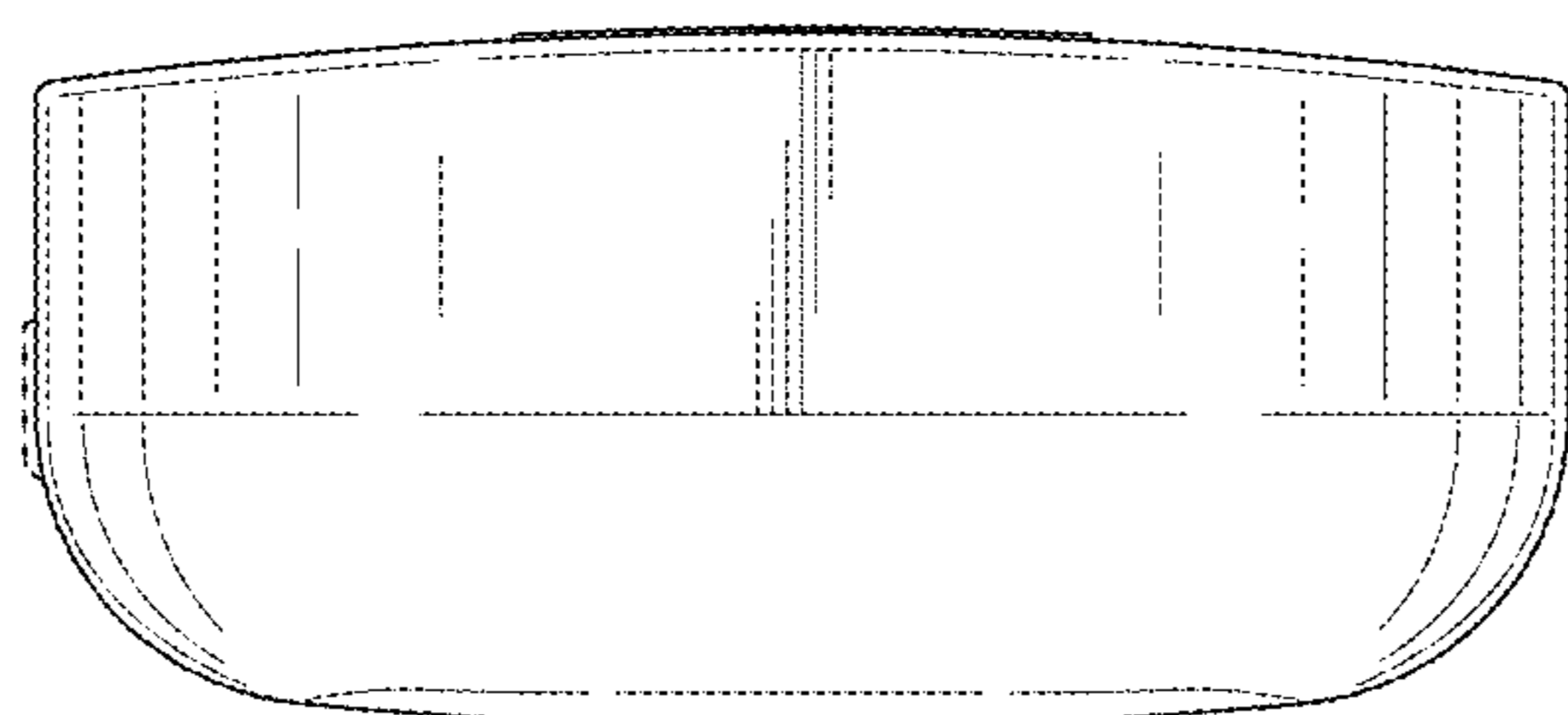


FIG. 6

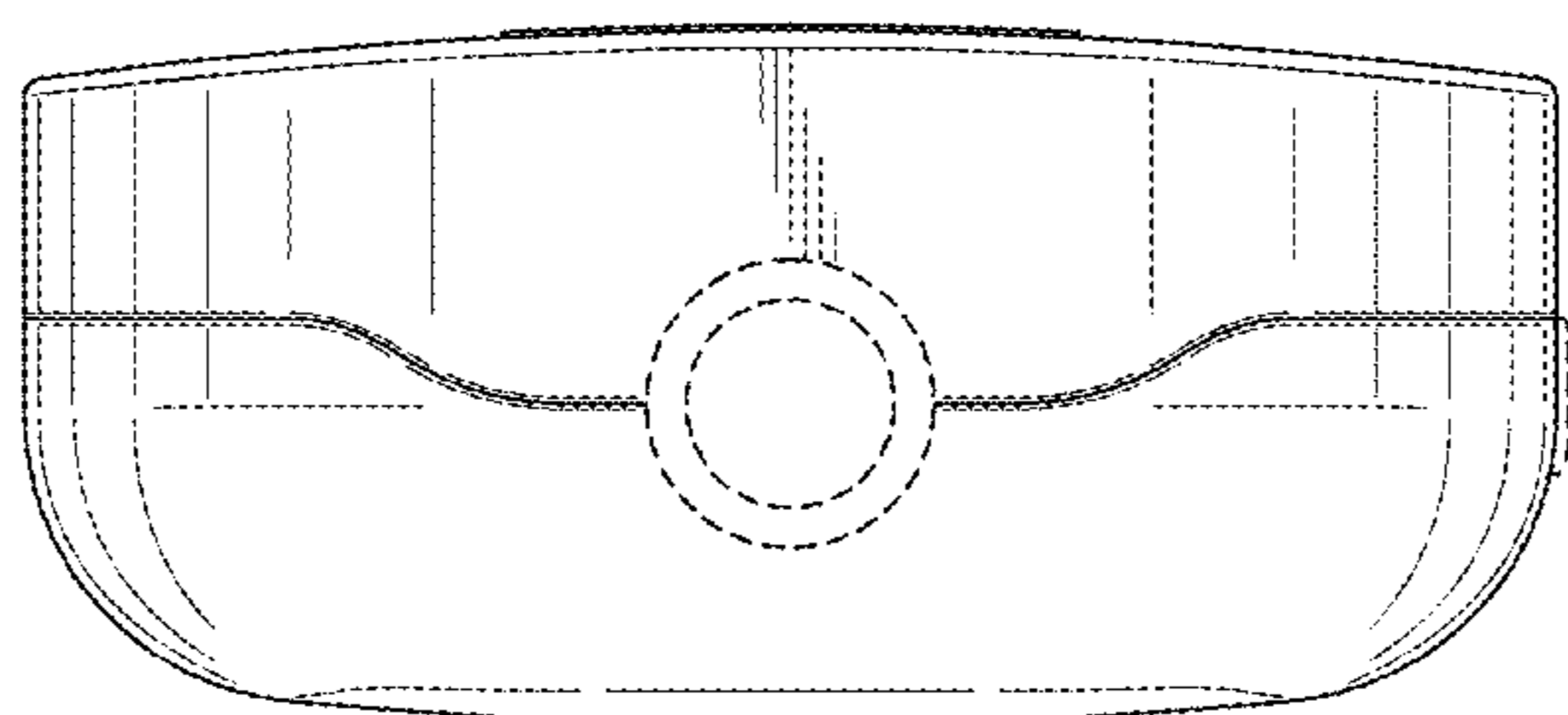


FIG. 7