



US00D688675S

(12) **United States Design Patent**
Vroom

(10) **Patent No.:** **US D688,675 S**

(45) **Date of Patent:** **** Aug. 27, 2013**

(54) **TRAY FOR KEYBOARD AND TRACKPAD**

D451,100 S *	11/2001	Brillhart et al.	D14/457
D462,360 S *	9/2002	Gilbertson	D14/457
D494,980 S *	8/2004	Pao	D14/457
D588,145 S *	3/2009	Benden et al.	D14/457

(71) Applicant: **Matthew Leigh Vroom**, San Francisco, CA (US)

* cited by examiner

(72) Inventor: **Matthew Leigh Vroom**, San Francisco, CA (US)

Primary Examiner — Freda S Nunn

(73) Assignee: **Henge Docks LLC**, Arlington, VA (US)

(74) *Attorney, Agent, or Firm* — Benjamin E. Maskell

(**) Term: **14 Years**

(57) **CLAIM**

The ornamental design for a tray for keyboard and trackpad, as shown and described.

(21) Appl. No.: **29/435,294**

DESCRIPTION

(22) Filed: **Oct. 23, 2012**

(51) **LOC (9) Cl.** **14-02**

(52) **U.S. Cl.**
USPC **D14/457**

(58) **Field of Classification Search**
USPC D14/457-460; D6/406.5; 108/43,
108/50.01; 206/320; 220/17.1; 248/346.01,
248/444; 361/679.09, 679.55

See application file for complete search history.

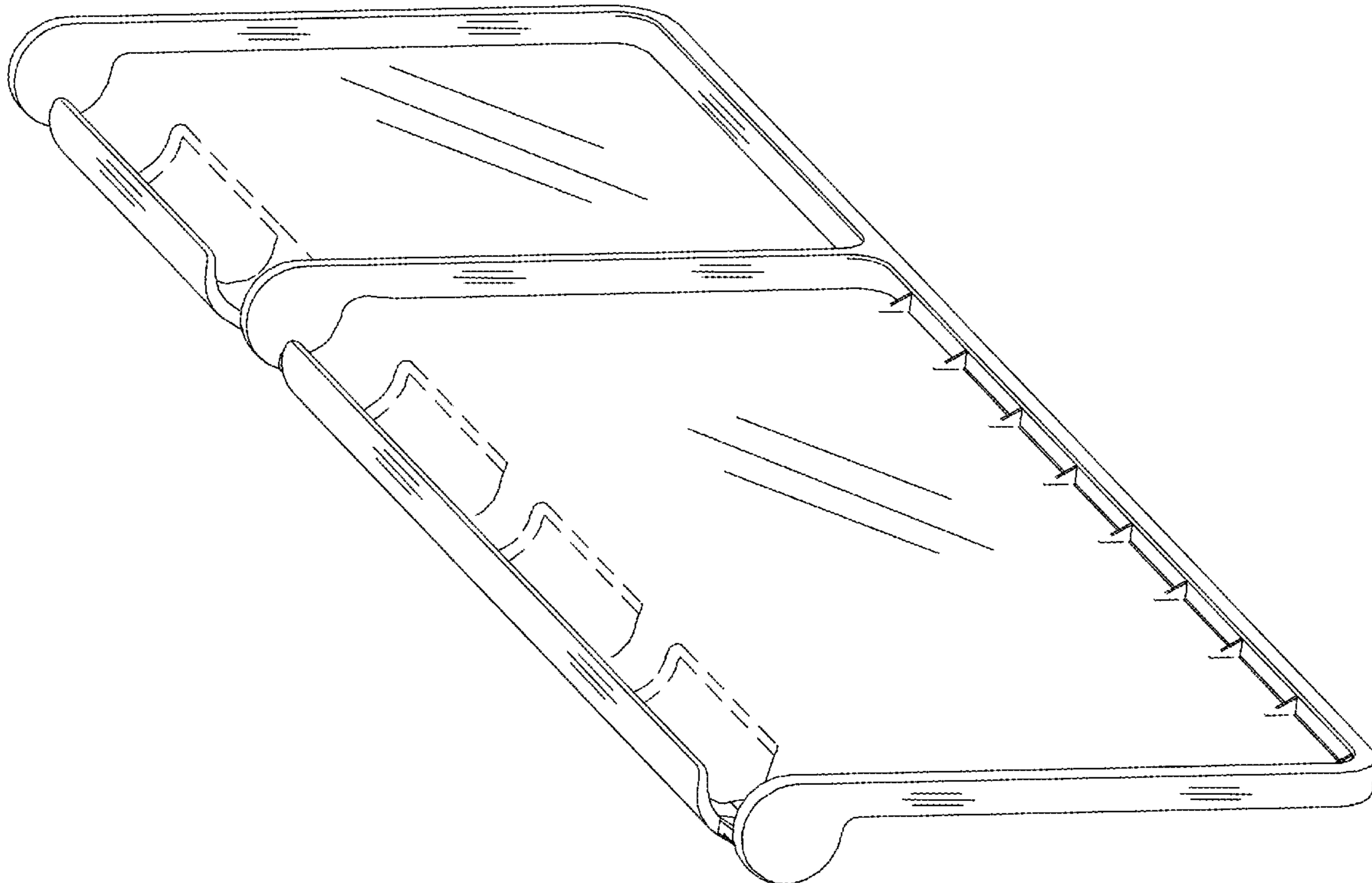
FIG. 1 is a top side view of a tray for keyboard and trackpad;
FIG. 2 is a bottom side view of a tray for keyboard and trackpad;
FIG. 3 is a front view of a tray for keyboard and trackpad;
FIG. 4 is a back view of a tray for keyboard and trackpad;
FIG. 5 is a left side view of a tray for keyboard and trackpad;
FIG. 6 is a right side view of a tray for keyboard and trackpad;
FIG. 7 is an isometric view of a tray for keyboard and trackpad showing the top, left, and back sides; and,
FIG. 8 is an isometric view of a tray for keyboard and trackpad showing the front, bottom and right sides.
Broken lines shown in the drawings illustrate portions of the tray and form no part of the claimed design.

(56) **References Cited**

U.S. PATENT DOCUMENTS

5,183,230 A *	2/1993	Walker et al.	248/118
6,045,098 A *	4/2000	Timm	248/118
6,234,085 B1 *	5/2001	Ramundo	108/43

1 Claim, 8 Drawing Sheets



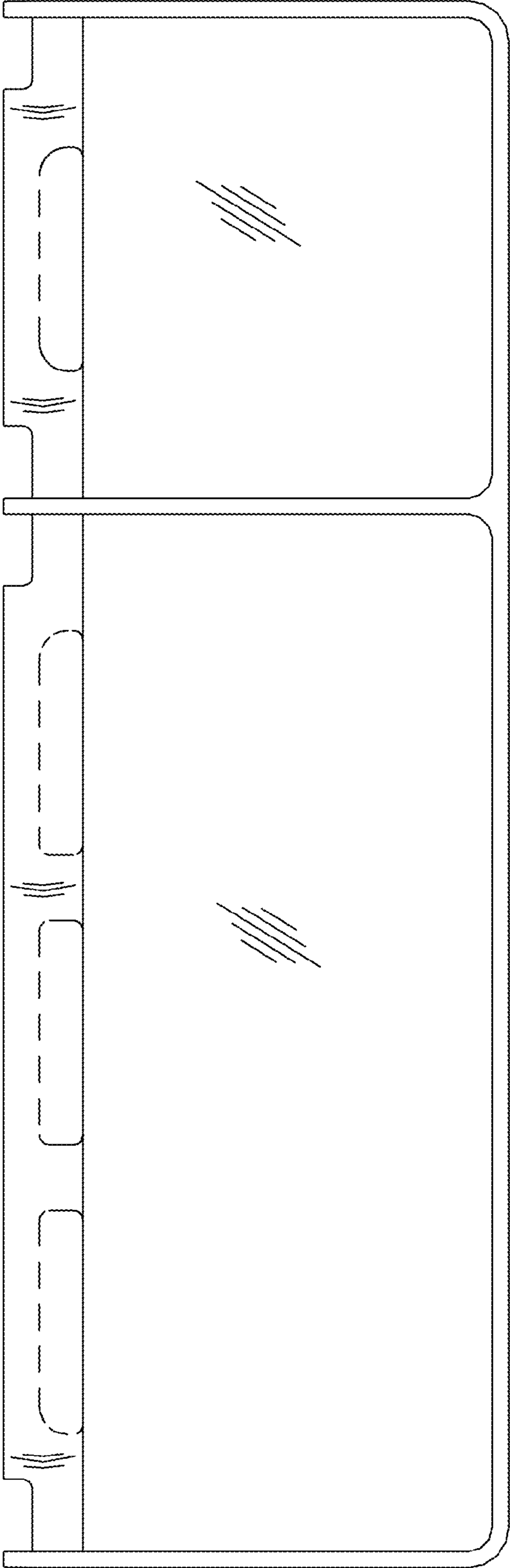


FIG. 1

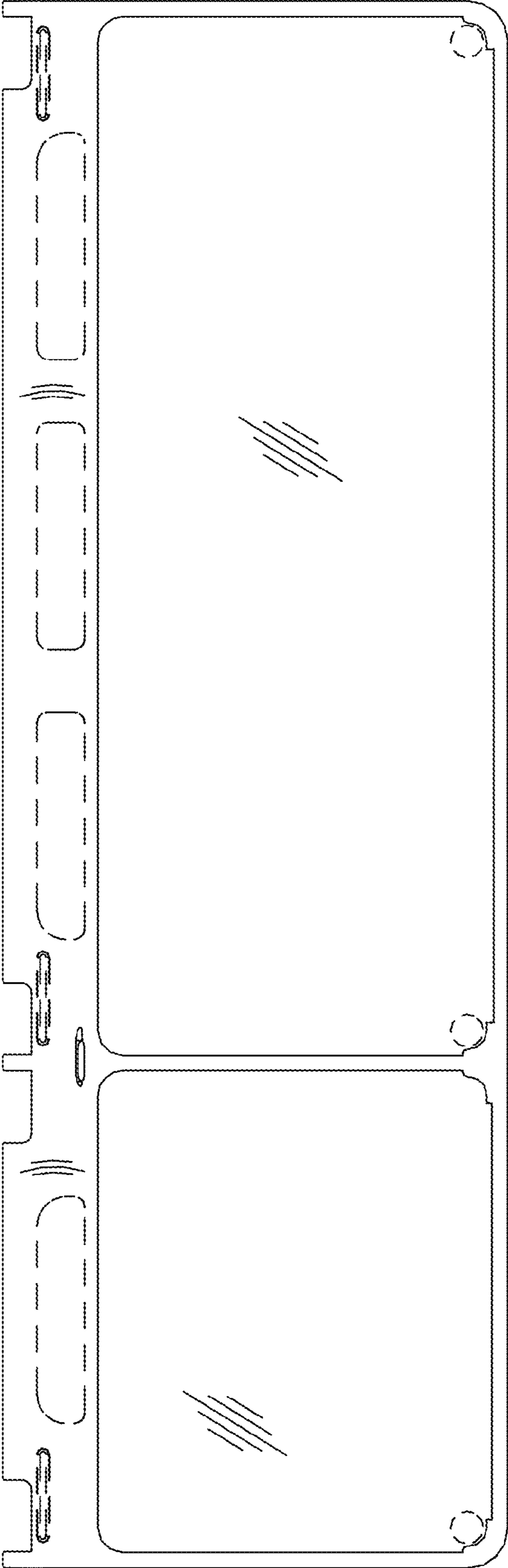


FIG. 2

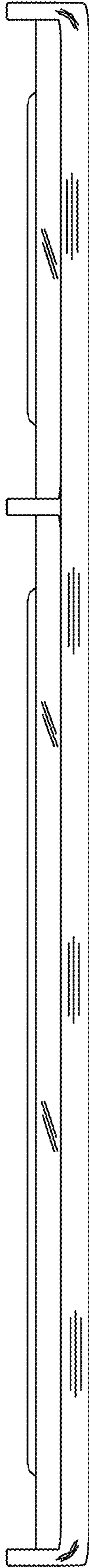


FIG. 3

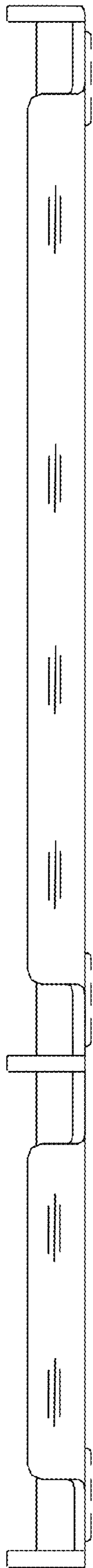


FIG. 4

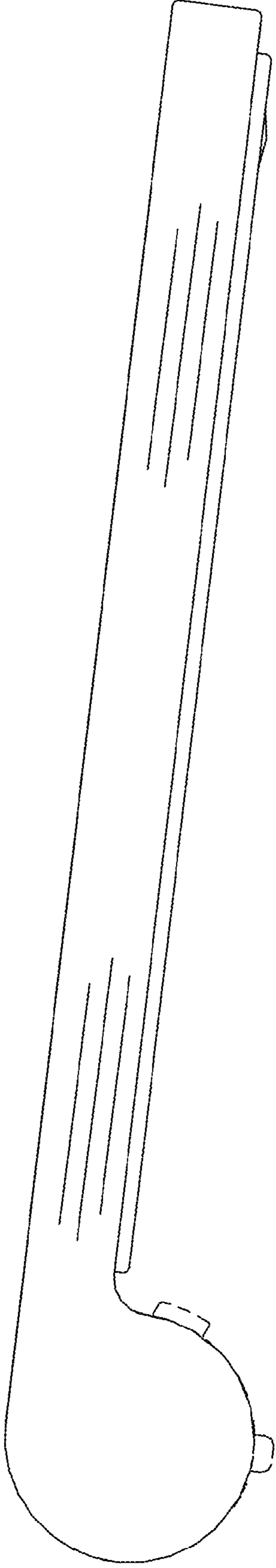


FIG. 5

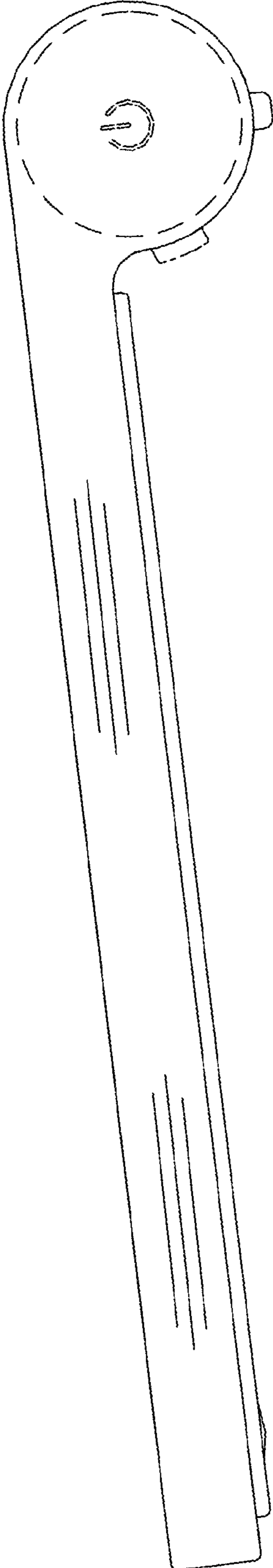


FIG. 6

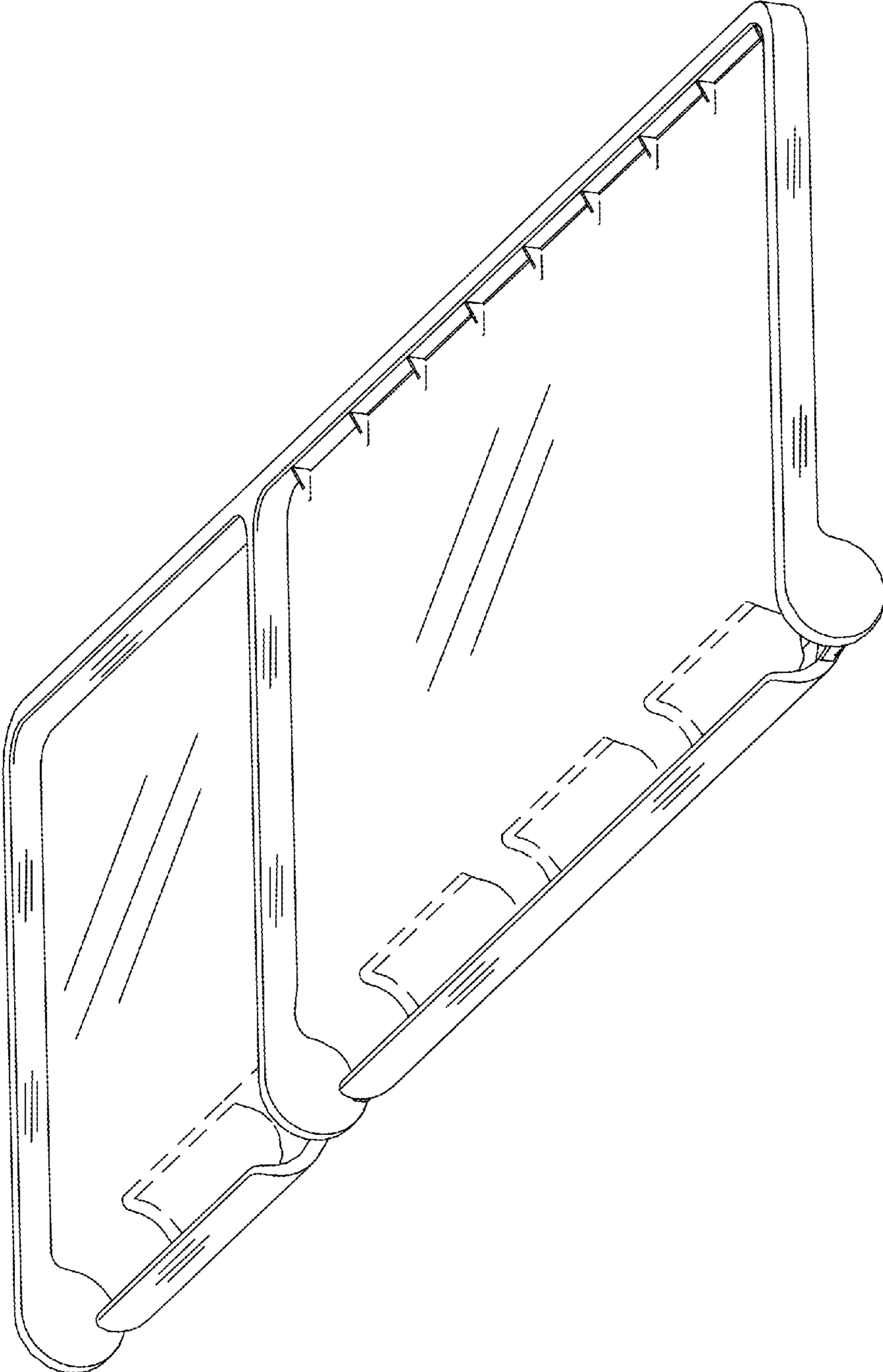


FIG. 7

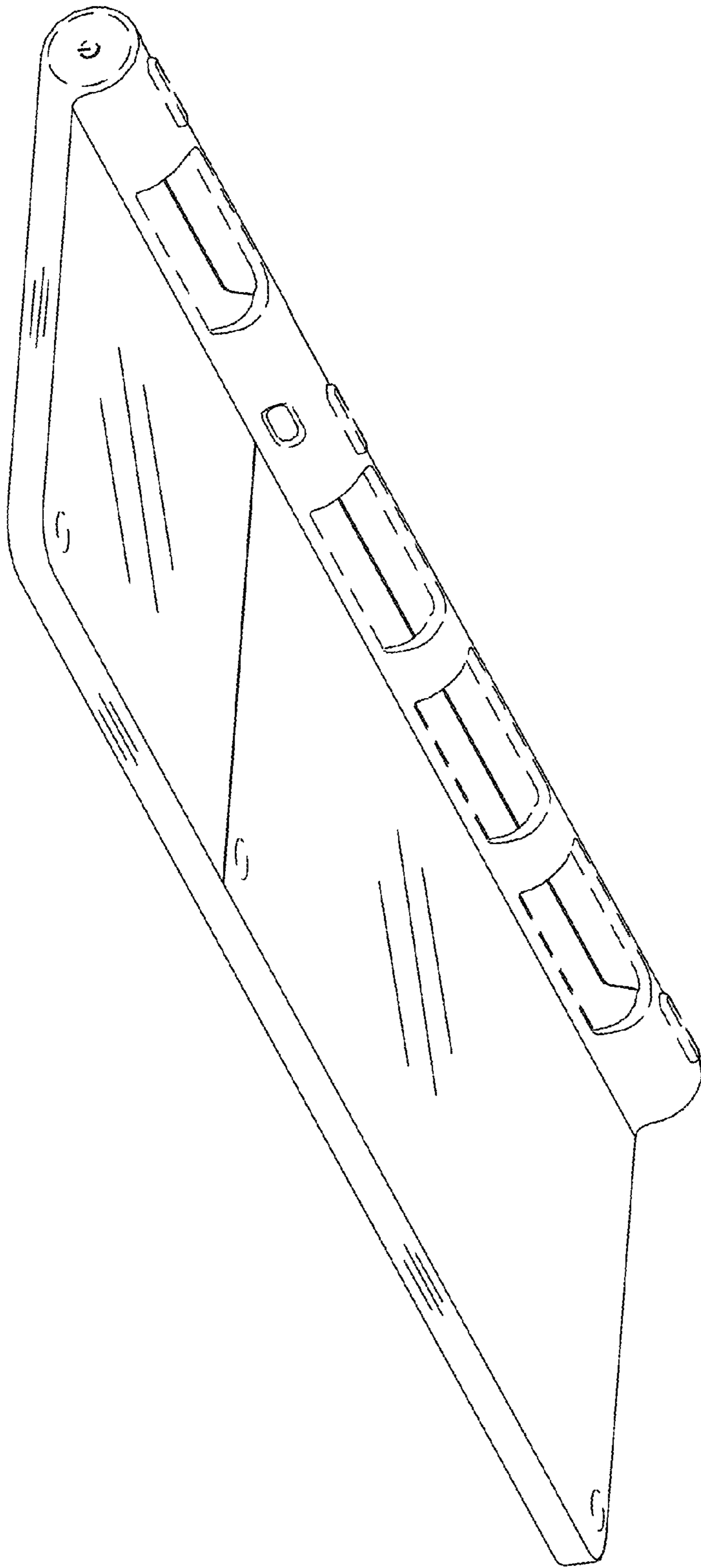


FIG. 8