



US00D688674S

(12) **United States Design Patent**
Lau et al.

(10) **Patent No.:** **US D688,674 S**
(45) **Date of Patent:** **** Aug. 27, 2013**

(54) **DISPLAY SUPPORT**

(75) Inventors: **Alex Lau**, London (GB); **Andrew Wills**, London (GB)

(73) Assignee: **Colebrook Bosson Saunders (Products) Limited**, Chippenham, Wiltshire (GB)

(**) Term: **14 Years**

(21) Appl. No.: **29/400,481**

(22) Filed: **Aug. 29, 2011**

Related U.S. Application Data

(62) Division of application No. 29/380,613, filed on Dec. 8, 2010, now Pat. No. Des. 645,868.

(30) **Foreign Application Priority Data**

Dec. 9, 1920 (EM) 001219471-0001

Dec. 9, 1920 (EM) 001219471-0002

Dec. 9, 1920 (EM) 001219471-0003

(51) **LOC (9) Cl.** **08-07**

(52) **U.S. Cl.**
USPC **D14/452**

(58) **Field of Classification Search**

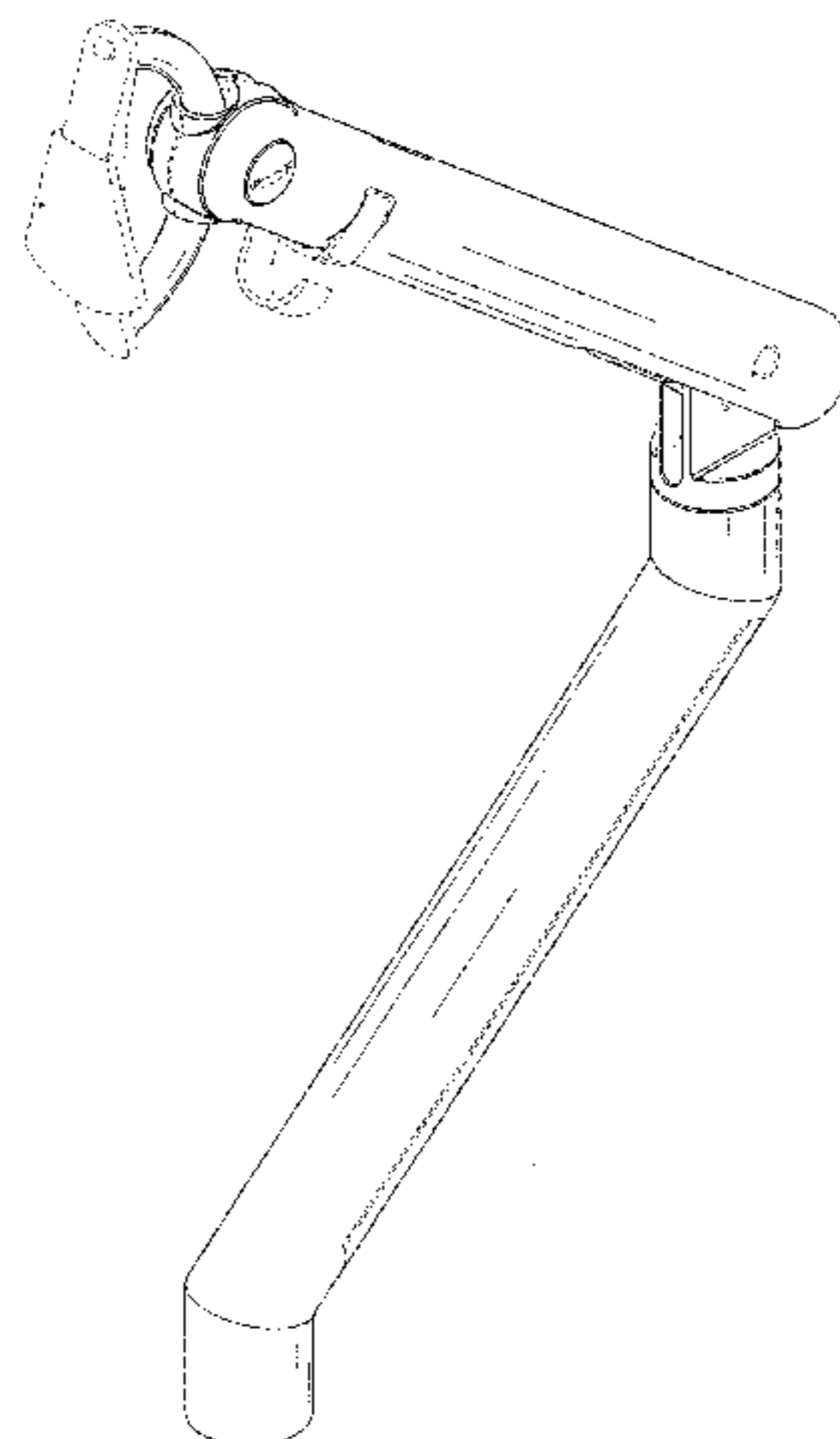
USPC D14/447, 451, 452, 373, 374, 375, D14/376, 432, 434, 439, 448, 457, 126, 127, D14/129, 203.8, 217, 224, 224.1, 238.1, 239, D14/251, 253; D8/363, 373, 380; D6/406.1, D6/406.2, 406.3, 406.4, 406.5, 406.6, 429, D6/462; 248/917-924, 441.1, 443, 445, 248/446, 447, 447.1, 453, 454, 455, 460, 248/463, 465.1, 472, 131, 150, 155.2, 155.4, 248/166, 434, 188.6, 346.3, 324; 361/679.02, 361/679.04, 679.06, 679.07, 679.09, 679.21, 361/679.26, 679.27, 679.3, 679.55, 379.56; 379/454, 455; 312/223.3

See application file for complete search history.

(56) **References Cited**

U.S. PATENT DOCUMENTS

1,078,577 A	11/1913	Fox	
5,340,072 A	8/1994	Halbirt	
5,348,260 A	9/1994	Acevedo	
5,826,846 A	10/1998	Bucciari et al.	
5,842,672 A	12/1998	Sweere et al.	
5,884,880 A	3/1999	Rice	
5,975,472 A	11/1999	Hung	
6,012,693 A	1/2000	Voeller et al.	
6,062,148 A	5/2000	Hodge et al.	
6,164,612 A	12/2000	Schmitt	
6,261,023 B1	7/2001	Schmitt et al.	
6,398,172 B1	6/2002	Rousek et al.	
6,896,230 B2	5/2005	Cvek	
6,905,101 B1	6/2005	Dittmer	
6,947,211 B2	9/2005	Metelski	
7,198,237 B2	4/2007	Cho et al.	
7,252,277 B2	8/2007	Sweere et al.	
7,289,315 B2	10/2007	Hillman et al.	
D562,114 S *	2/2008	Chiu et al.	D8/363
7,438,269 B2	10/2008	Pfister et al.	
7,494,104 B2	2/2009	Baek	
7,694,927 B2 *	4/2010	Chuang	248/276.1
D631,052 S *	1/2011	Hung	D14/452
D645,868 S *	9/2011	Lau et al.	D14/452
D654,503 S *	2/2012	Sapper	D14/452
D660,845 S *	5/2012	Schmauch et al.	D14/452
D668,256 S *	10/2012	Matteo	D14/447
D670,554 S *	11/2012	Bowman et al.	D8/363
D675,905 S *	2/2013	Bowman et al.	D8/363
8,366,060 B2 *	2/2013	Hung	248/124.1
2003/0075653 A1	4/2003	Li	
2004/0189890 A1	9/2004	Yen et al.	
2004/0245419 A1	12/2004	Sweere et al.	
2005/0252336 A1	11/2005	Coral et al.	
2006/0060735 A1 *	3/2006	Oddsens et al.	248/278.1
2006/0226326 A1	10/2006	Asamarai et al.	
2007/0102596 A1	5/2007	Sung	
2007/0181762 A1	8/2007	Dittmer	
2007/0194196 A1	8/2007	Pfister et al.	
2008/0054133 A1	3/2008	Huang	
2008/0164395 A1 *	7/2008	Chang et al.	248/276.1
2009/0050760 A1	2/2009	Duff	
2009/0090831 A1 *	4/2009	Henning et al.	248/278.1
2009/0146024 A1	6/2009	Duan	
2009/0166501 A1	7/2009	Wang et al.	



FOREIGN PATENT DOCUMENTS

DE	10013445	A1	10/2000
DE	202006010262	U1	6/2006
EP	1471300	A2	10/2004
EP	1471300	A3	4/2005
GB	2366083	A	2/2002
GB	2438581	A	12/2007
WO	WO 2007/137905	A1	12/2007
WO	WO 2008/092457	A1	8/2008

OTHER PUBLICATIONS

DPG, Cygnus Gas Lift Arm (Silver) up to 10kg, 1 page.
 Ergotron, 45-241-026 LX Desk Mount LCD Arm, 3 pages.
 Ergotron, 45-214-026 MX Desk Mount LCD Arm, 2 pages.
 Ergotron, 45-174-300 Neo Flex® LCD Arm, 2 pages.
 Ergotron, 33-310-060 Neo Flex® LCD Stand, 2 pages.
 Hafele UK Ltd., Heavy Duty Spring/Long Arm, 2 pages.
 Humanscale, M2 Articulating Monitor Arm, 1 page.
 Humanscale, M4 Articulating Monitor Arm, 1 page.
 Humanscale, M7 Articulating Monitor Arm, 1 page.
 Innovative Office Products, 7Flex® LCD Arm (24"), 1 page.
 Innovative Office Products, EVO® LCD Arm 5545, 1 page.

* cited by examiner

Primary Examiner — Angela J Lee
 (74) *Attorney, Agent, or Firm* — Brinks Hofer Gilson & Lione

(57) **CLAIM**
 The ornamental design for a display support, as shown and described.

DESCRIPTION

FIG. 1 is a front perspective view of the display support in a first position;

FIG. 2 is a rear perspective view of the display support shown in FIG. 1;

FIG. 3 is a left side view of the display support shown in FIG. 1;

FIG. 4 is a top view of the display support shown in FIG. 1;

FIG. 5 is a bottom view of the display support shown in FIG. 1;

FIG. 6 is a front view of the display support shown in FIG. 1;

FIG. 7 is a rear view of the display support shown in FIG. 1;

FIG. 8 is a front perspective view of the display support shown in FIG. 1, but shown in an alternate position;

FIG. 9 is a left side view of the display support shown in FIG. 1, but shown in an alternate position;

FIG. 10 is a top view of the display support shown in FIG. 1, but shown in an alternate position;

FIG. 11 is a bottom view of the display support shown in FIG. 1, but shown in an alternate position;

FIG. 12 is a front view of the display support shown in FIG. 1, but shown in an alternate position; and,

FIG. 13 is a rear view of the display support shown in FIG. 1, but shown in an alternate position.

The broken lines showing various aspects of the display support shown in FIGS. 1-13 are for environmental purposes only and do not form any part of the claimed design. The right side of the portion of the display support shown in FIGS. 1-13 is a mirror image of the left side with the exception of the unclaimed clip, and accordingly only the left side is shown in the Figures.

1 Claim, 7 Drawing Sheets

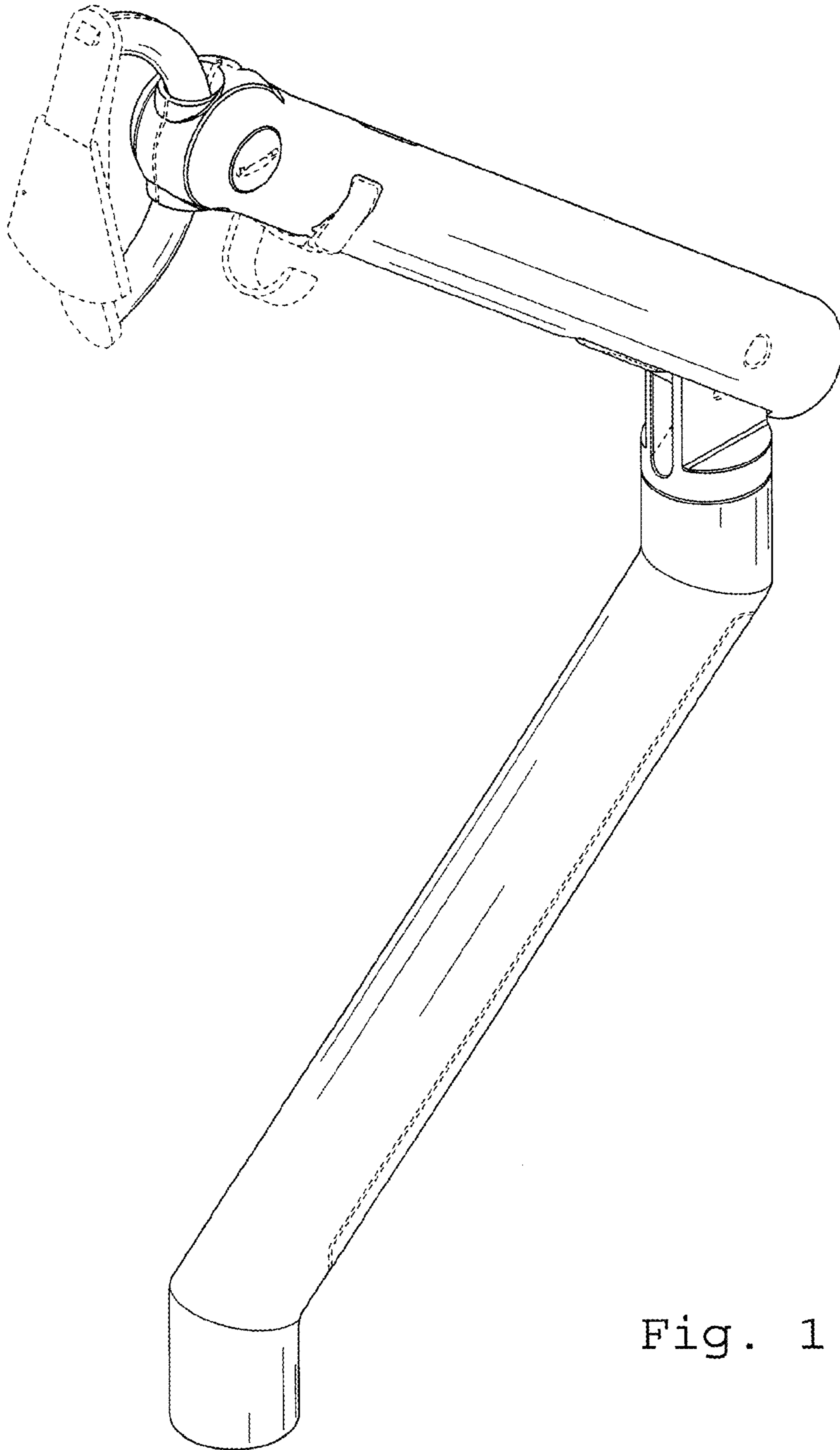


Fig. 1

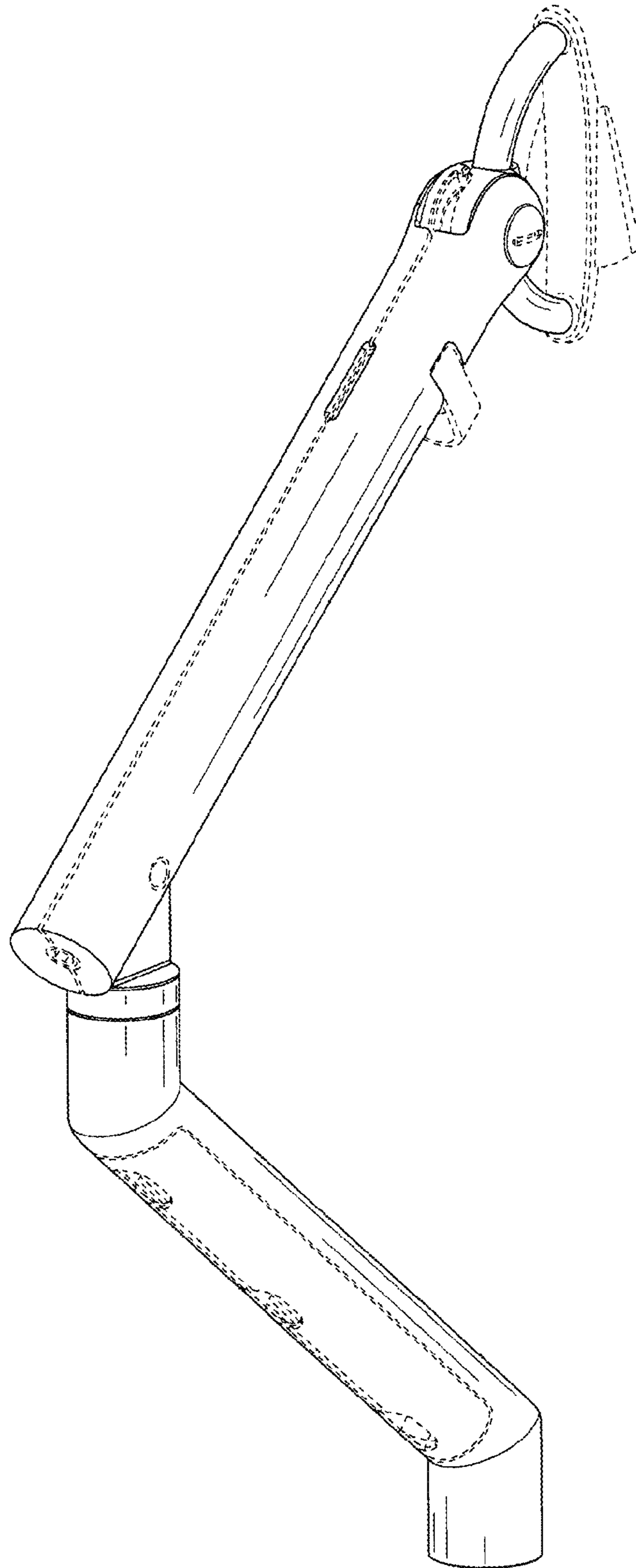


Fig. 2

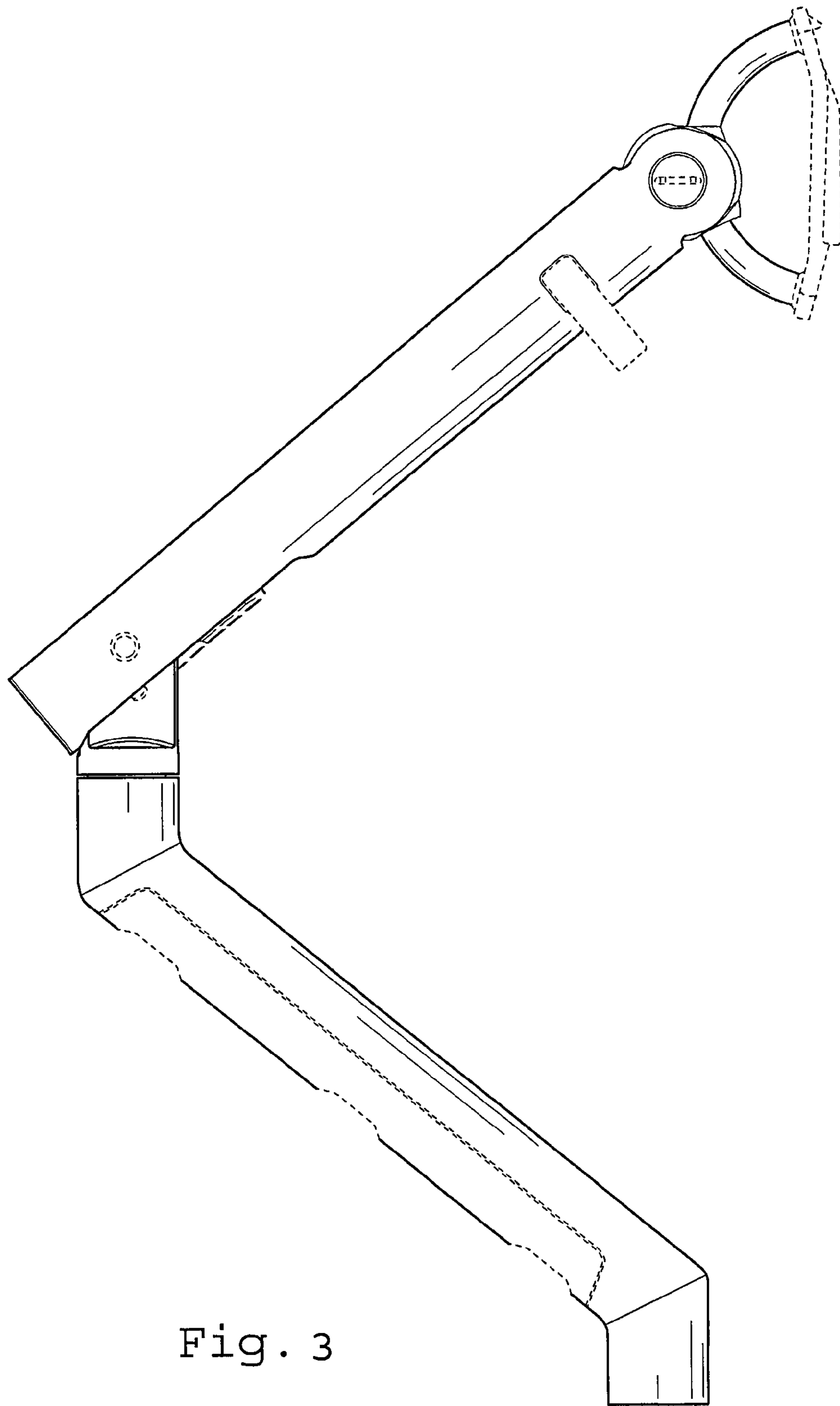


Fig. 3

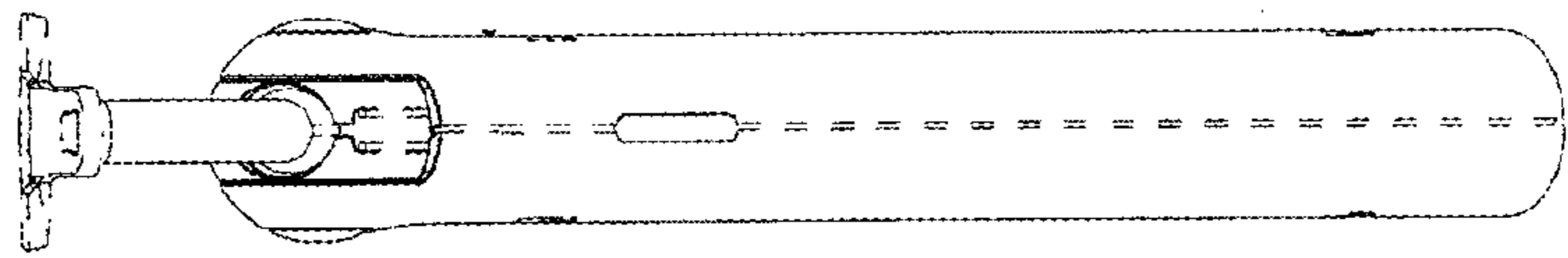


Fig. 4

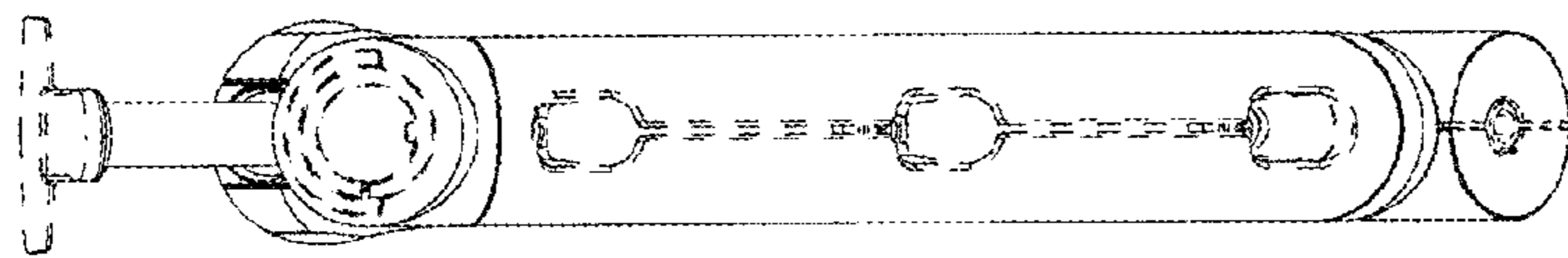


Fig. 5

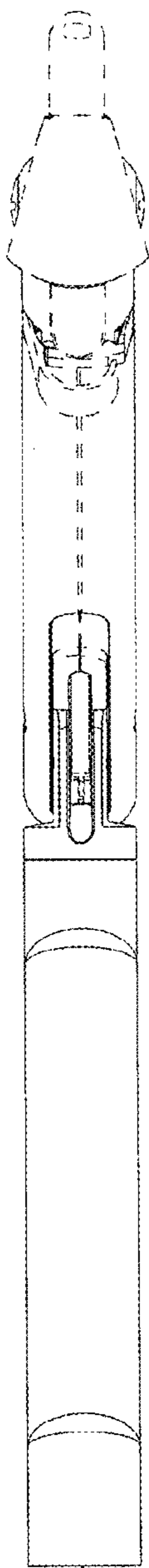


Fig. 6

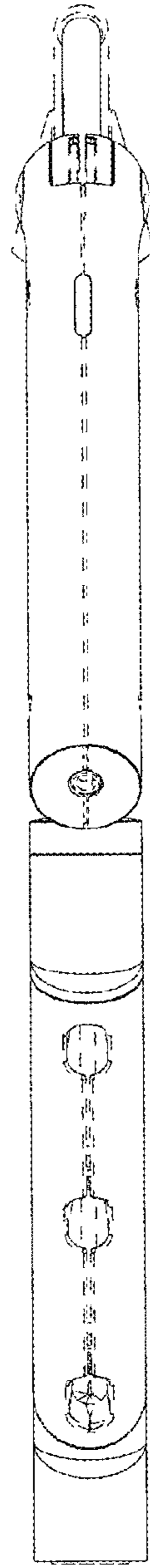


Fig. 7

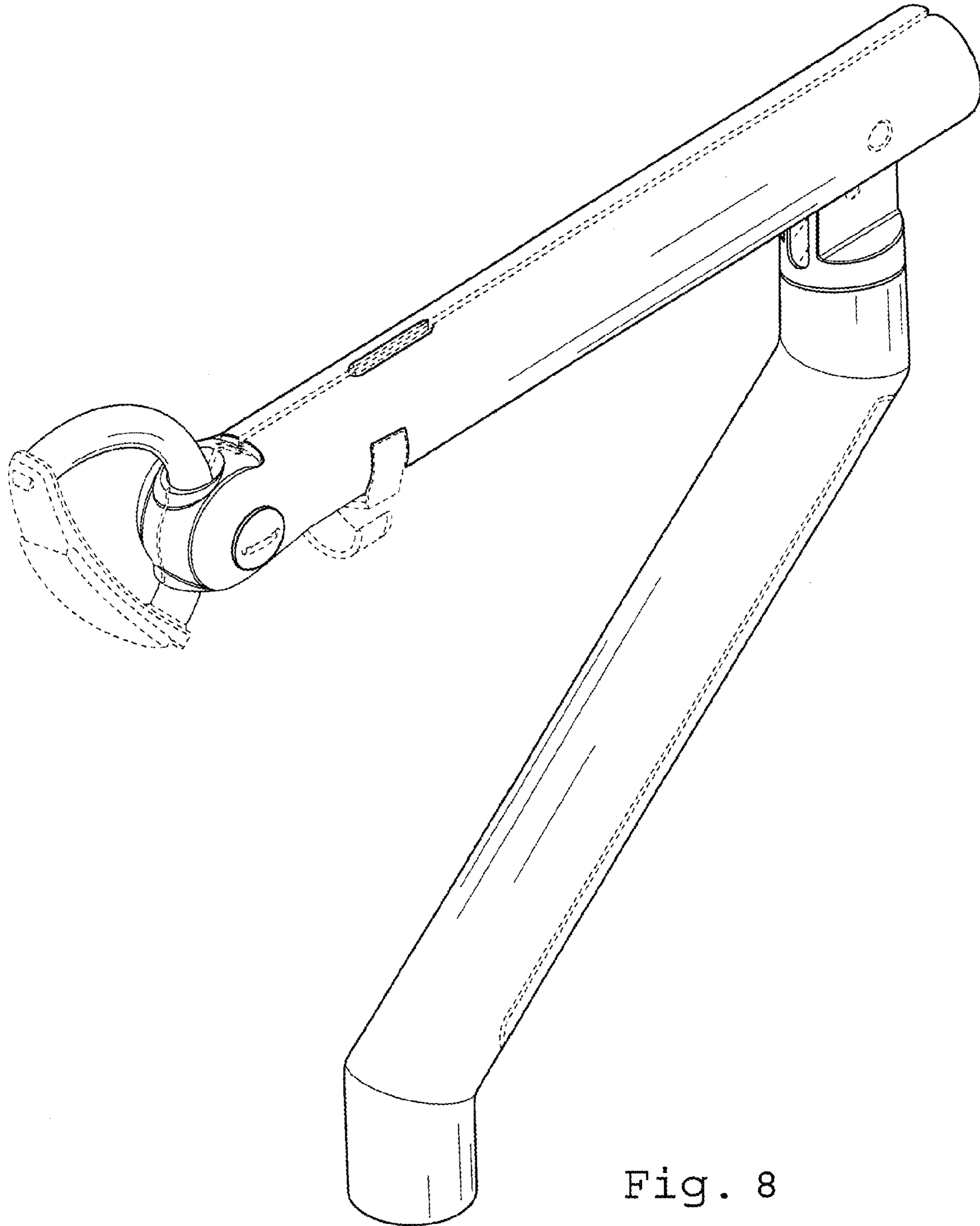


Fig. 8

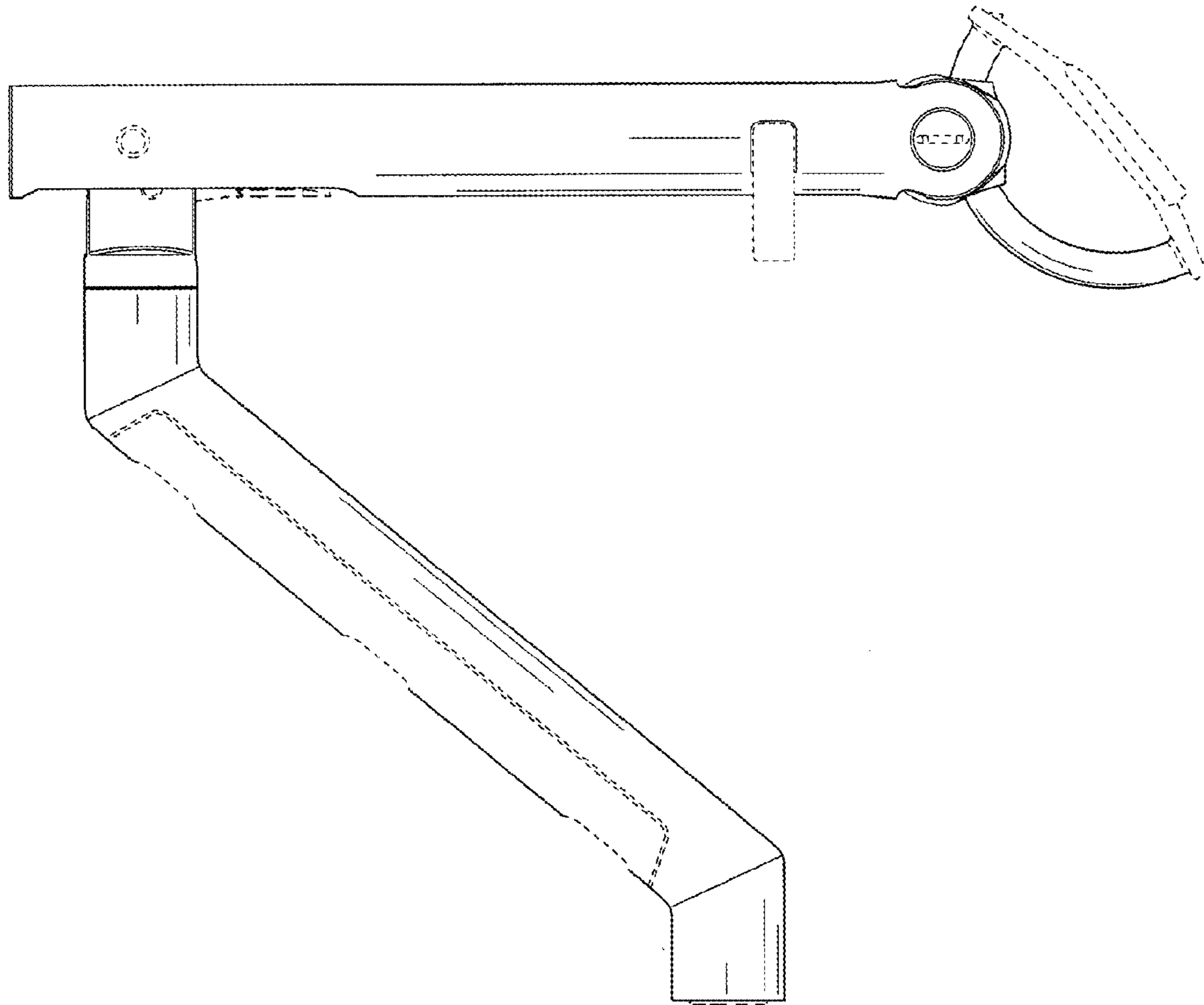


Fig. 9

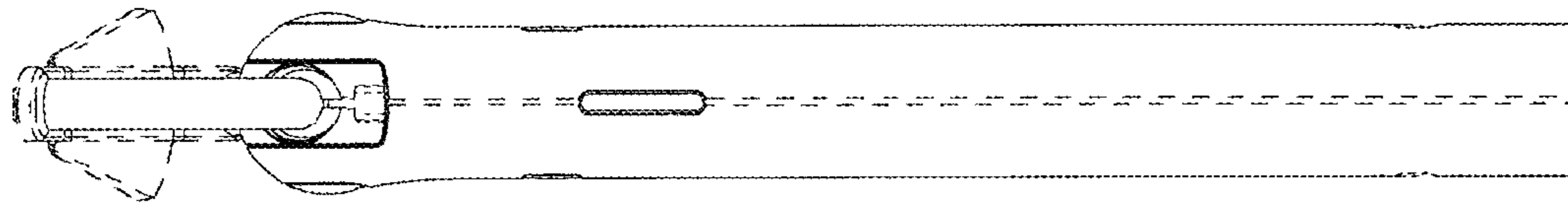


Fig. 10

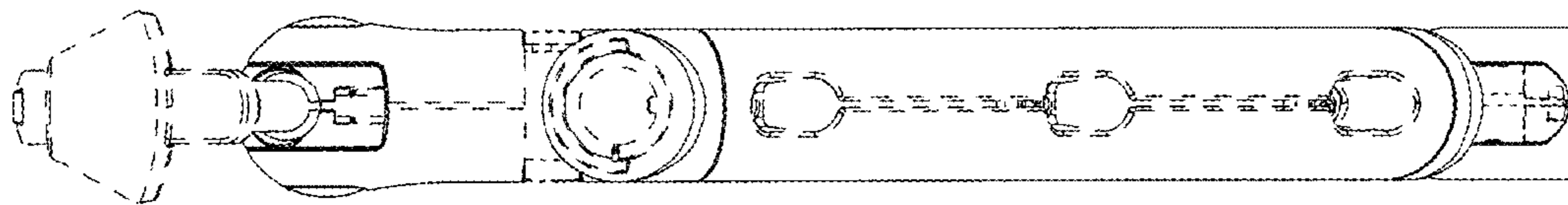


Fig. 11

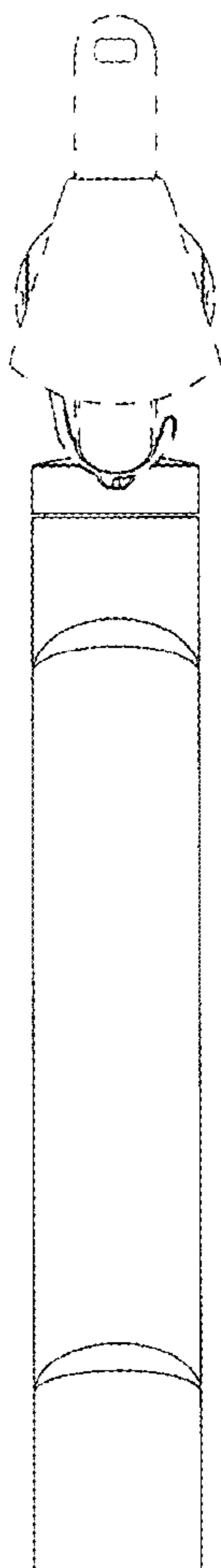


Fig. 12

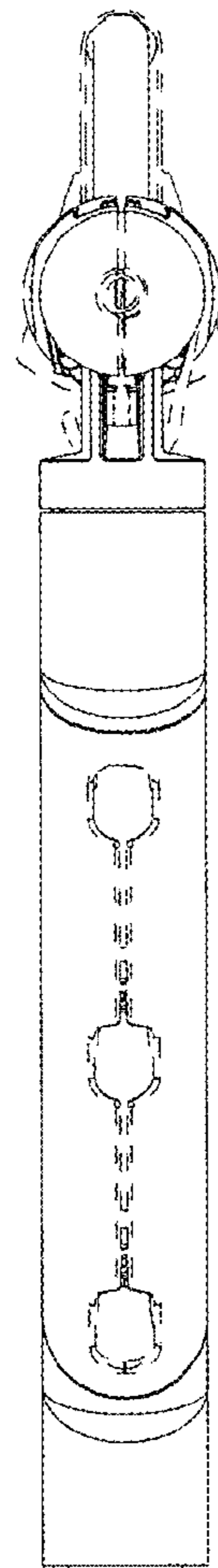


Fig. 13