



US00D688672S

(12) **United States Design Patent**
Seo et al.

(10) **Patent No.:** **US D688,672 S**

(45) **Date of Patent:** **** Aug. 27, 2013**

(54) **STAND FOR MONITOR**

(75) Inventors: **Young-Jin Seo**, Seoul (KR); **Tae-Yeon Won**, Seoul (KR)

(73) Assignee: **Samsung Electronics Co., Ltd.**, Suwon-si, Gyeonggi-do (KR)

(**) Term: **14 Years**

(21) Appl. No.: **29/427,963**

(22) Filed: **Jul. 24, 2012**

(30) **Foreign Application Priority Data**

Feb. 3, 2012 (KR) 30-2012-0005100

(51) **LOC (9) Cl.** **08-07**

(52) **U.S. Cl.**
USPC **D14/451**

(58) **Field of Classification Search**
USPC D14/451, 447, 217, 239, 299, 126;
248/125.1, 127, 133, 177.1, 178.1, 179.1,
248/183.1, 346.01, 346.02, 188.2, 917-924;
200/5 R, 5 A, 6 R, 6 A; 361/679-685;
D13/184-199

See application file for complete search history.

(56) **References Cited**

U.S. PATENT DOCUMENTS

D459,729 S * 7/2002 Goto D14/451
D552,089 S * 10/2007 Fujii et al. D14/239
D588,602 S * 3/2009 Chao et al. D14/451
D628,204 S * 11/2010 Matsui et al. D14/451

OTHER PUBLICATIONS

U.S. Appl. No. 29/426,413, Applicant: Su-An Choi, et al., filed Jul. 5, 2012 entitled Stand for a TV Receiver.

U.S. Appl. No. 29/426,422, Applicant: Su-An Choi, filed Jul. 5, 2012 entitled Stand for a Monitor.

U.S. Appl. No. 29/422,967, Applicant: Bo-Kyung Seong, et al., filed May 25, 2012 entitled Stand for a Display Device.

* cited by examiner

Primary Examiner — Cynthia Ramirez

(74) *Attorney, Agent, or Firm* — Flynn, Thiel, Boutell & Tanis, P.C.

(57) **CLAIM**

The ornamental design for a stand for monitor, as shown and described.

DESCRIPTION

FIG. 1 is a top front perspective view of a stand for monitor showing our new design;

FIG. 2 is a front elevational view thereof;

FIG. 3 is a rear elevational view thereof;

FIG. 4 is a left side elevational view thereof;

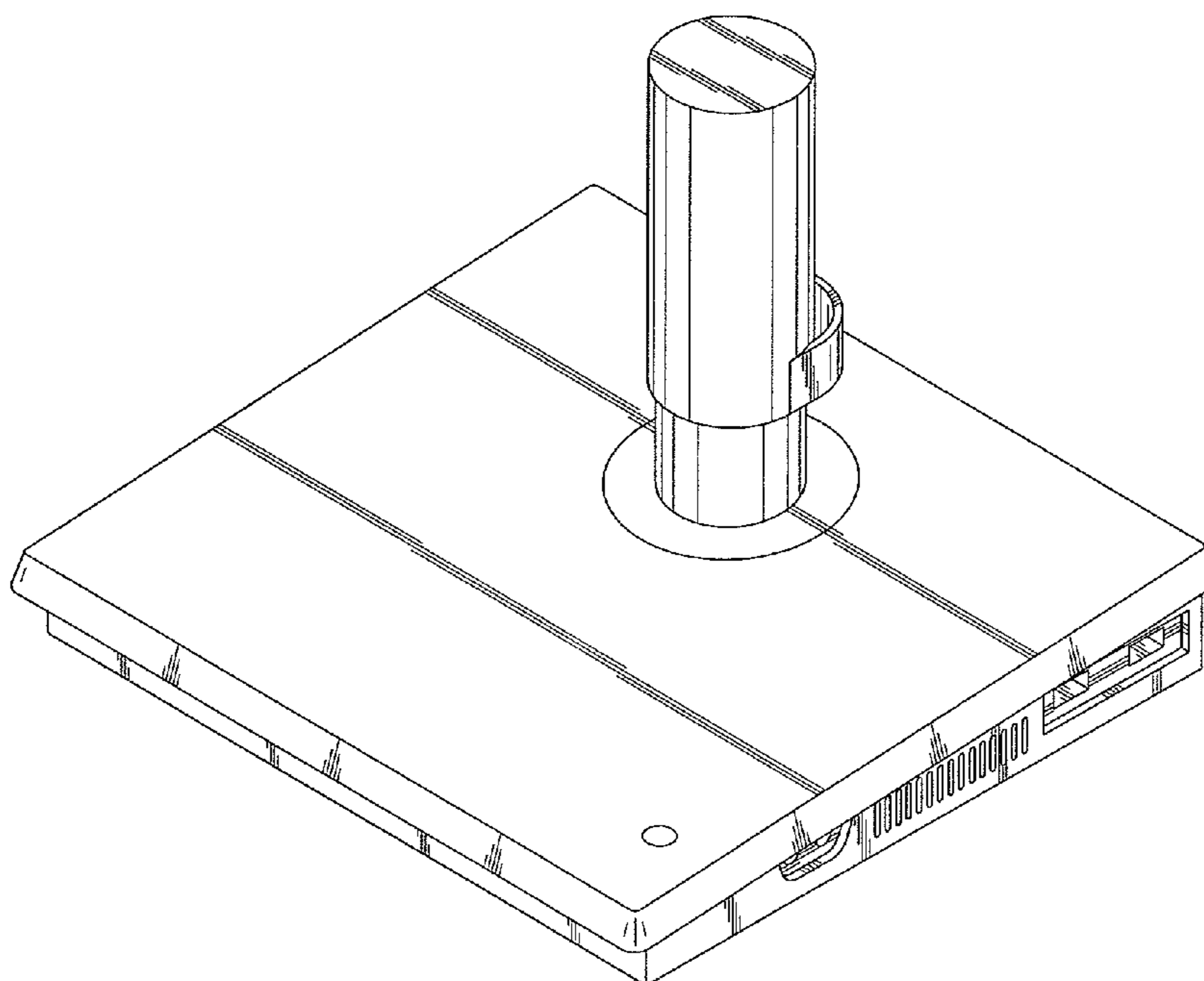
FIG. 5 is a right side elevational view thereof;

FIG. 6 is a top plan view thereof; and,

FIG. 7 is a bottom plan view thereof.

The broken lines depict environmental subject matter only and form no part of the claimed design.

1 Claim, 4 Drawing Sheets



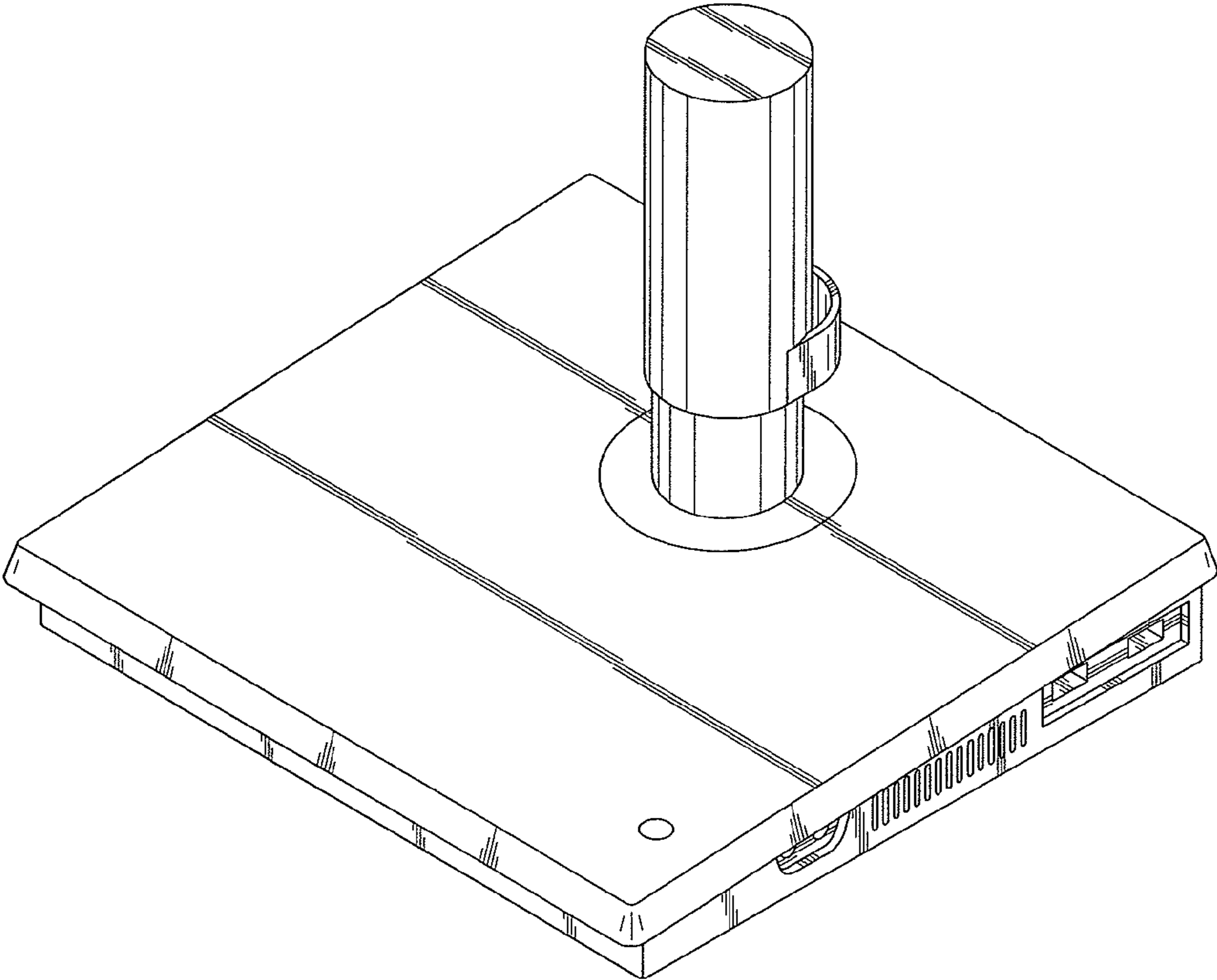


FIG.1

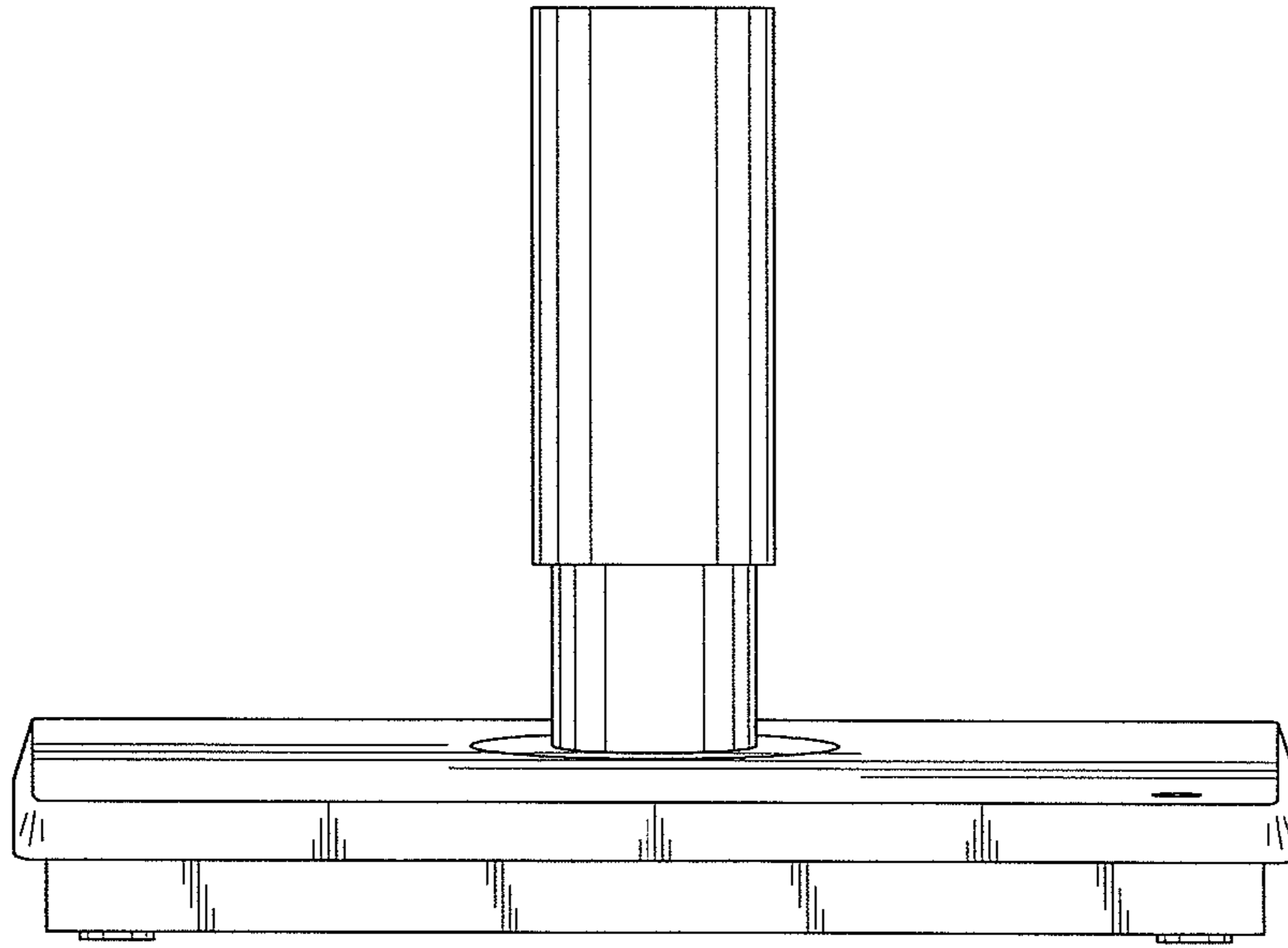


FIG.2

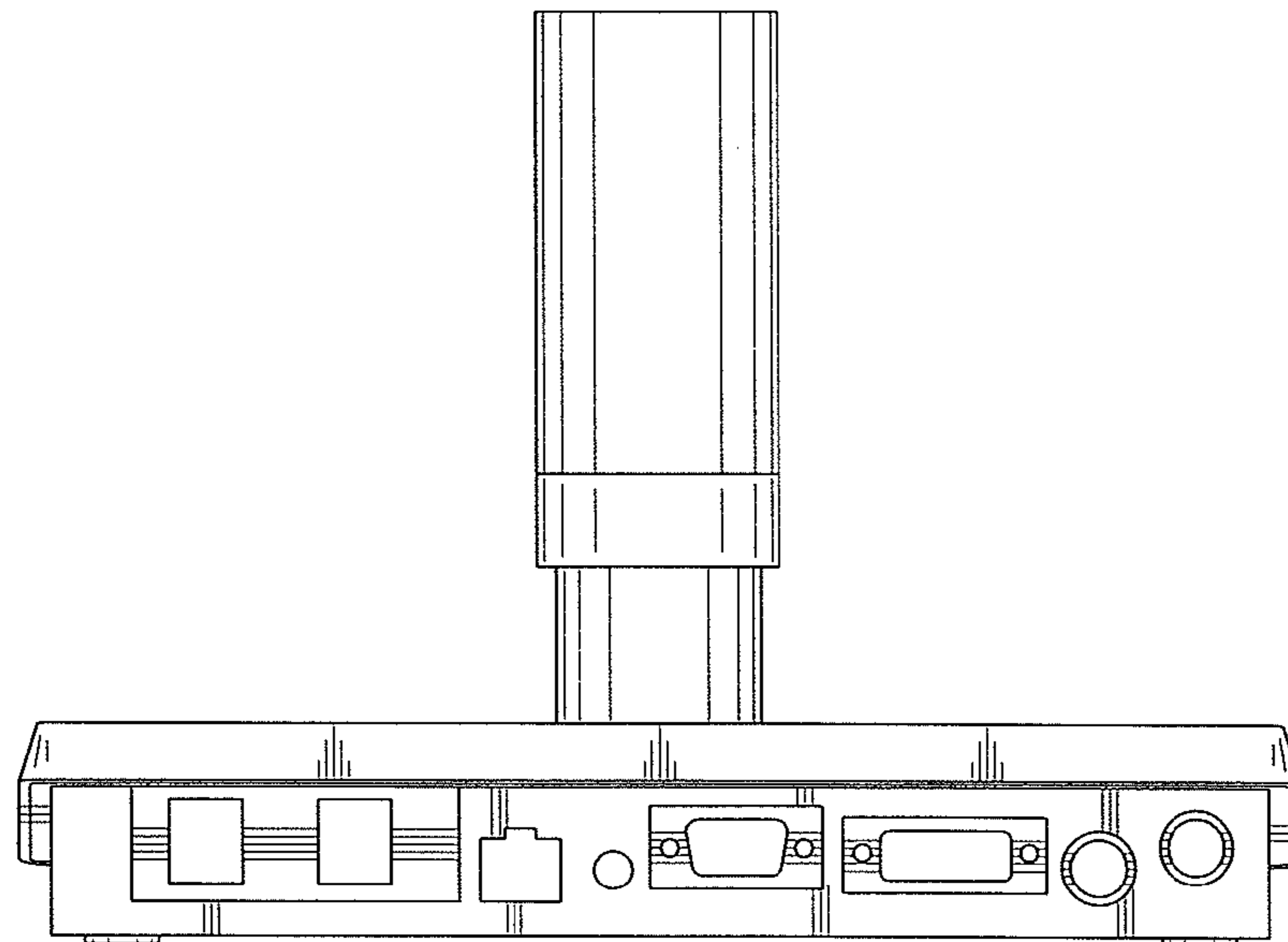


FIG.3

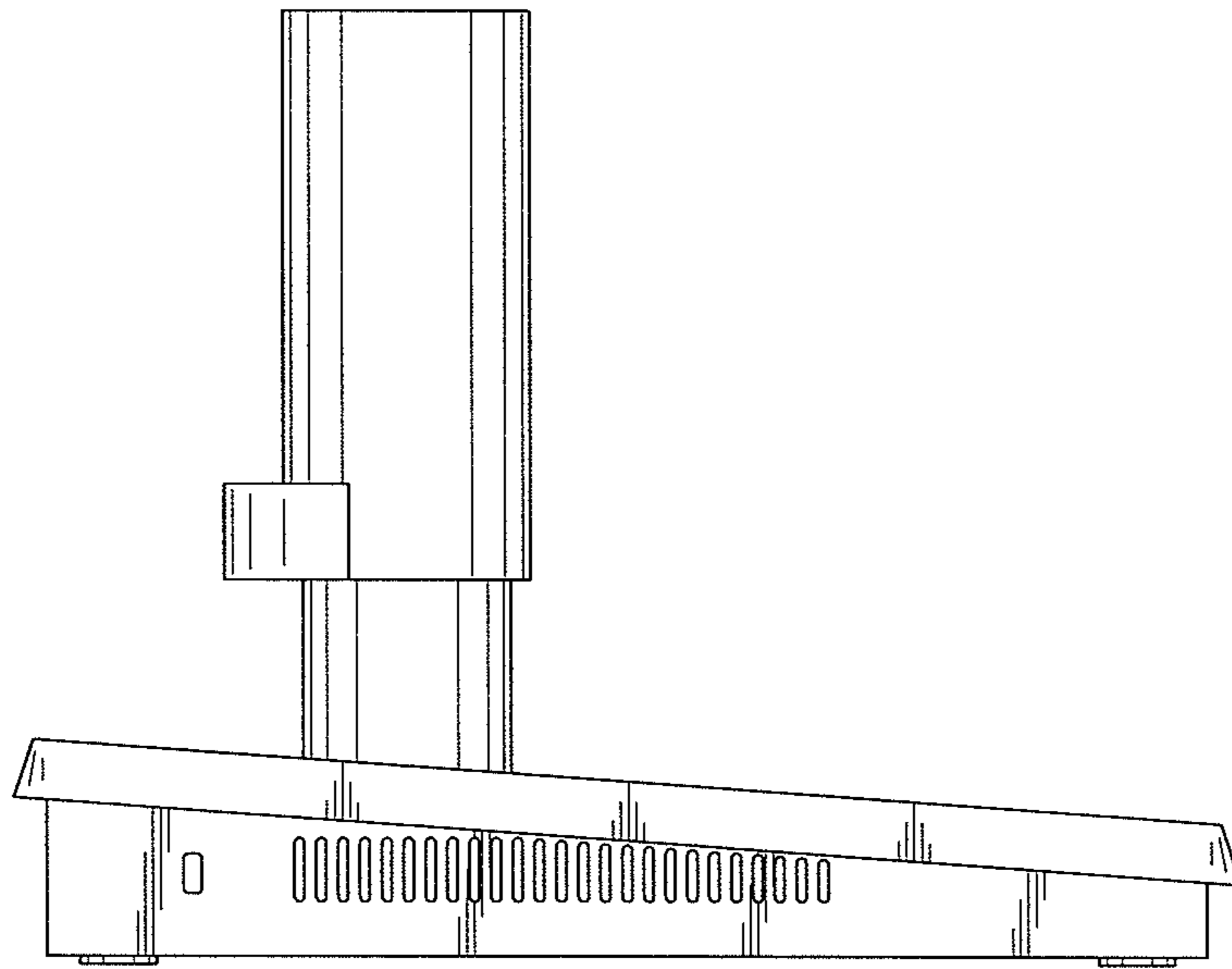


FIG. 4

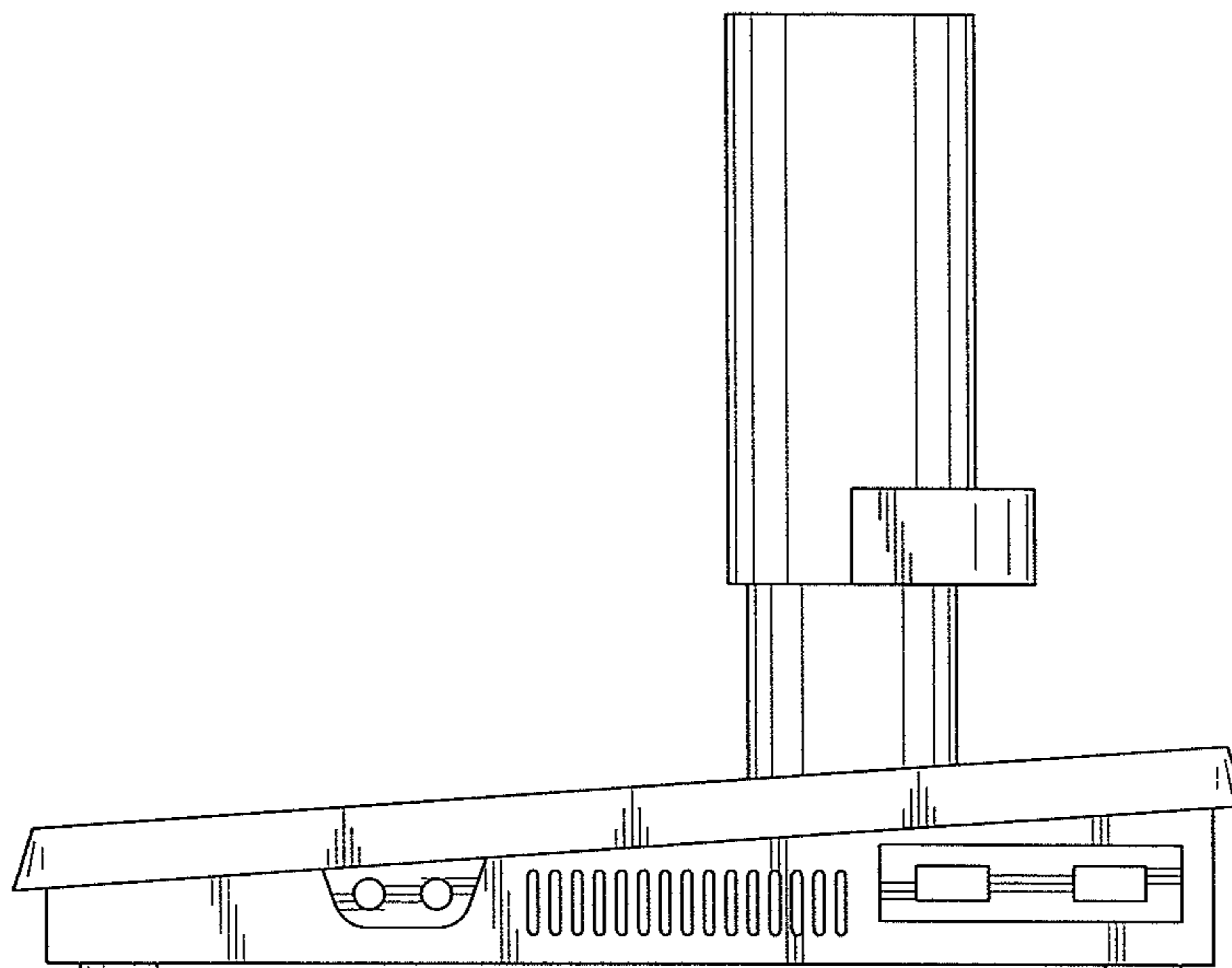


FIG. 5

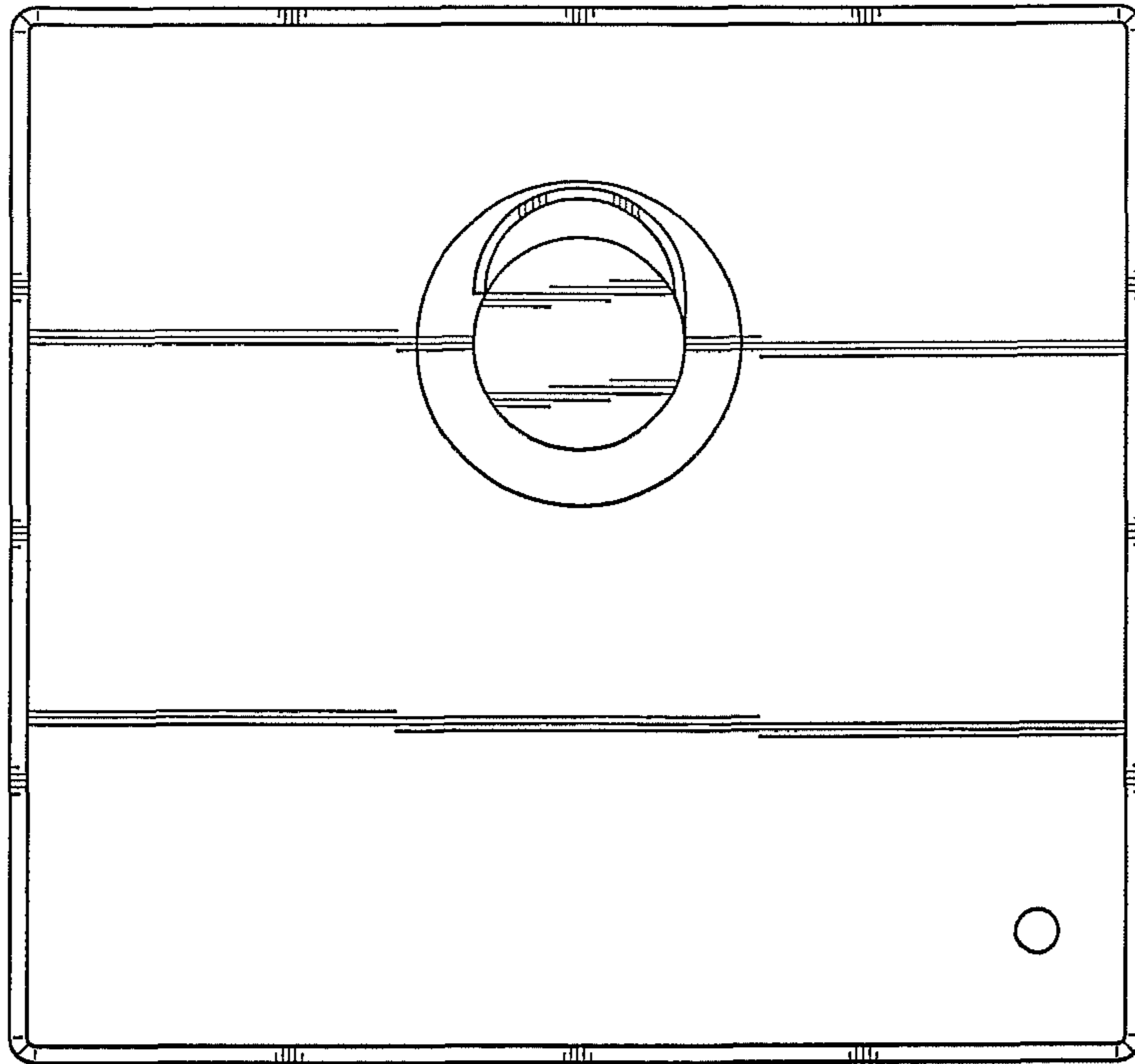


FIG. 6

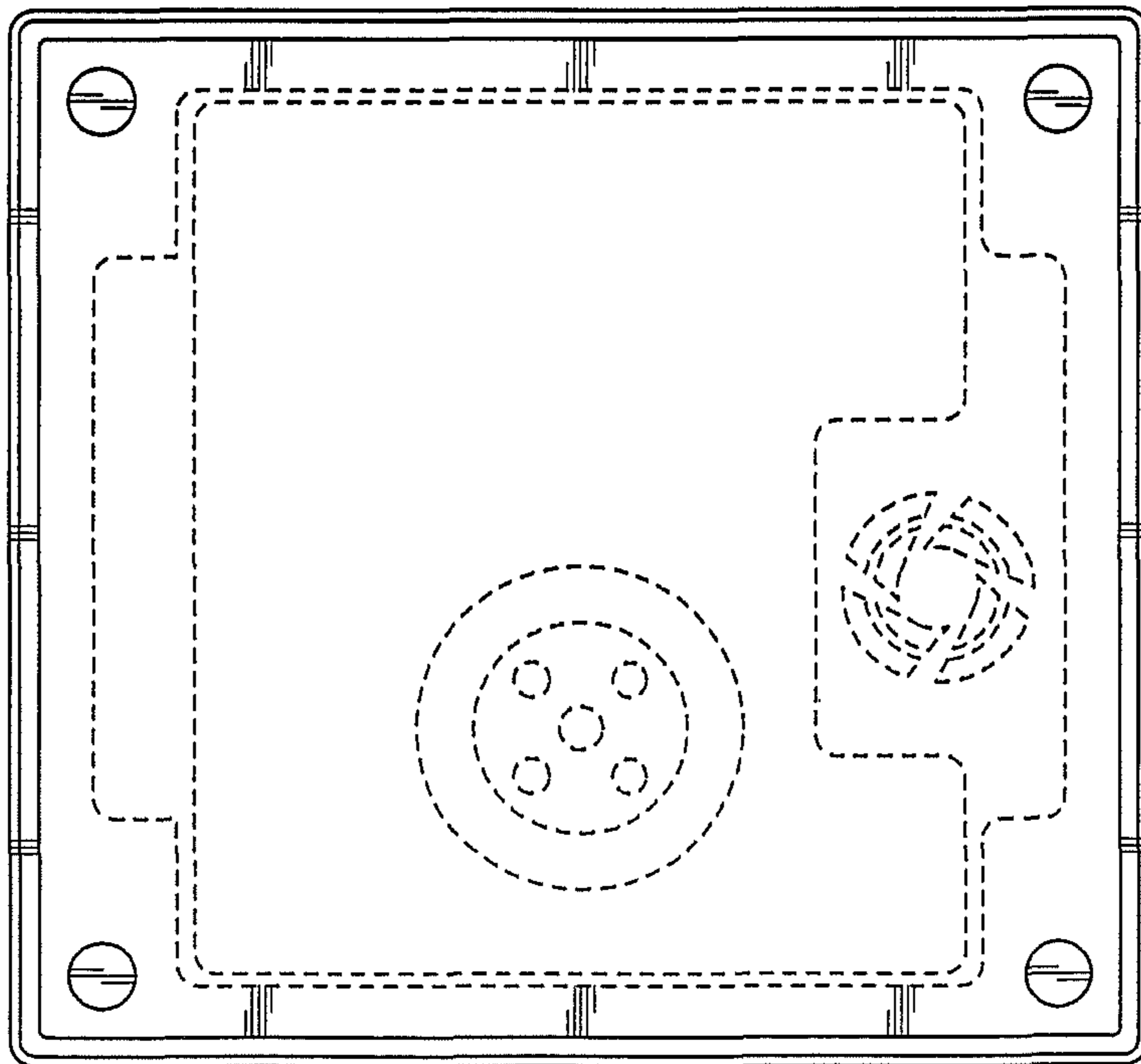


FIG. 7