



US00D688670S

(12) **United States Design Patent**  
**Huang**

(10) **Patent No.:** **US D688,670 S**

(45) **Date of Patent:** **\*\* Aug. 27, 2013**

(54) **NOTEBOOK HOLDER**

(76) Inventor: **Chao Kuang Huang**, Taichung (TW)

(\*\*) Term: **14 Years**

(21) Appl. No.: **29/429,503**

(22) Filed: **Aug. 13, 2012**

(51) **LOC (9) Cl.** ..... **08-07**

(52) **U.S. Cl.**  
USPC ..... **D14/447**

(58) **Field of Classification Search**  
USPC ..... D14/432, 433, 434, 439, 440, 451,  
D14/452, 239, 217, 224.1, 251, 252, 253,  
D14/457, 458, 459, 460, 461; D6/406.1,  
D6/406.2, 406.3, 406.4, 406.5, 406.6;  
361/679.06, 679.21, 679.22, 679.24, 679.26,  
361/679.27, 679.28, 679.3, 679.55, 679.56,  
361/709; 248/917-924, 133, 136, 139, 150,  
248/176.1, 188.6

See application file for complete search history.

(56) **References Cited**

**U.S. PATENT DOCUMENTS**

D553,106 S \* 10/2007 Griffin ..... D14/434  
D627,771 S \* 11/2010 Smith et al. .... D14/253

D643,030 S \* 8/2011 Cheng et al. .... D14/253  
D648,727 S \* 11/2011 Van Den Nieuwenhuizen  
et al. .... D14/447  
D663,726 S \* 7/2012 Gourley ..... D14/251  
D665,797 S \* 8/2012 Novak ..... D14/253  
D669,459 S \* 10/2012 Kim ..... D14/253  
D675,212 S \* 1/2013 Chen ..... D14/447  
D676,037 S \* 2/2013 Schupsky ..... D14/253  
D676,053 S \* 2/2013 Izen et al. .... D14/447  
D676,054 S \* 2/2013 Izen et al. .... D14/447

\* cited by examiner

*Primary Examiner* — Angela J Lee

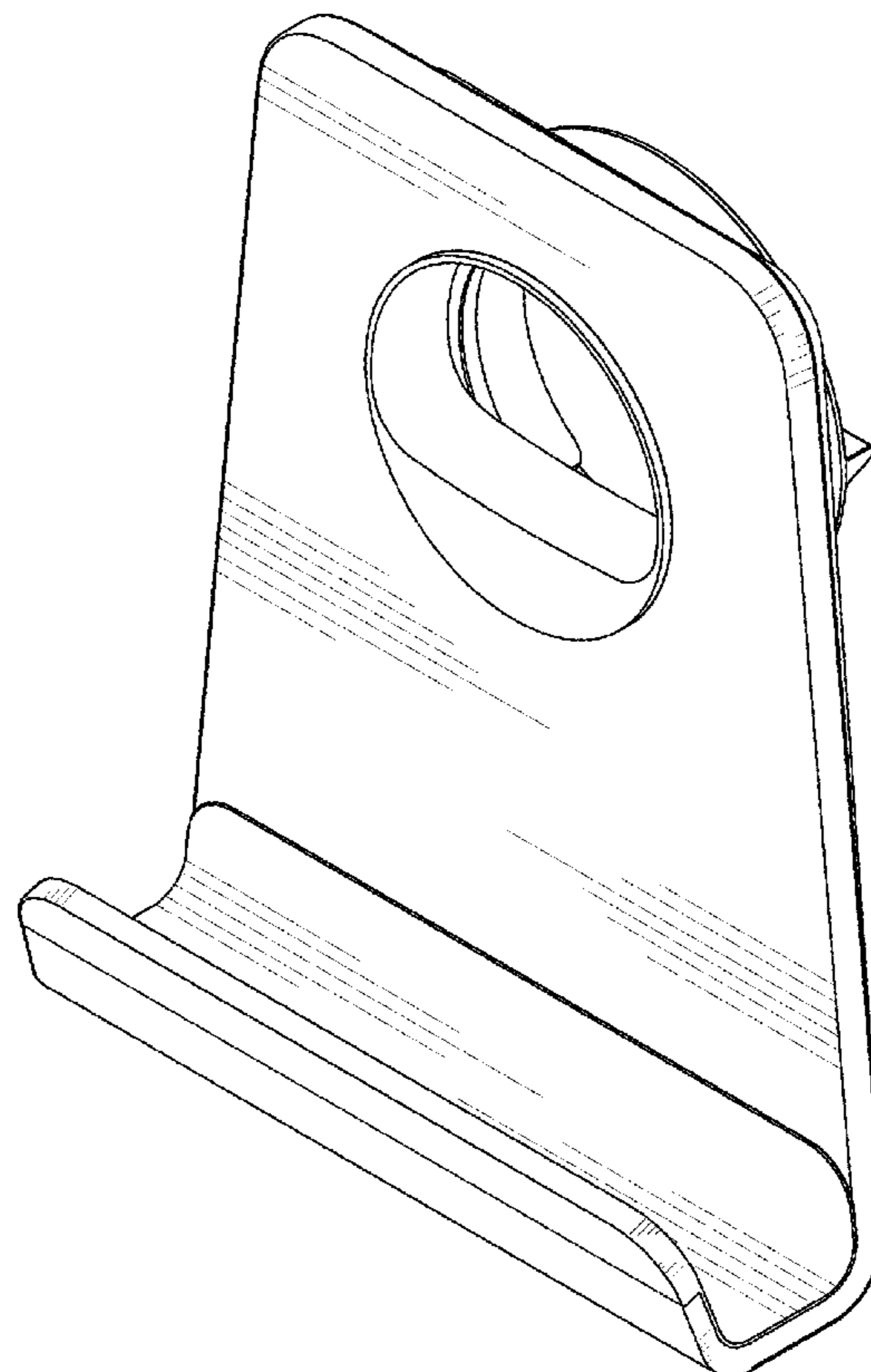
(57) **CLAIM**

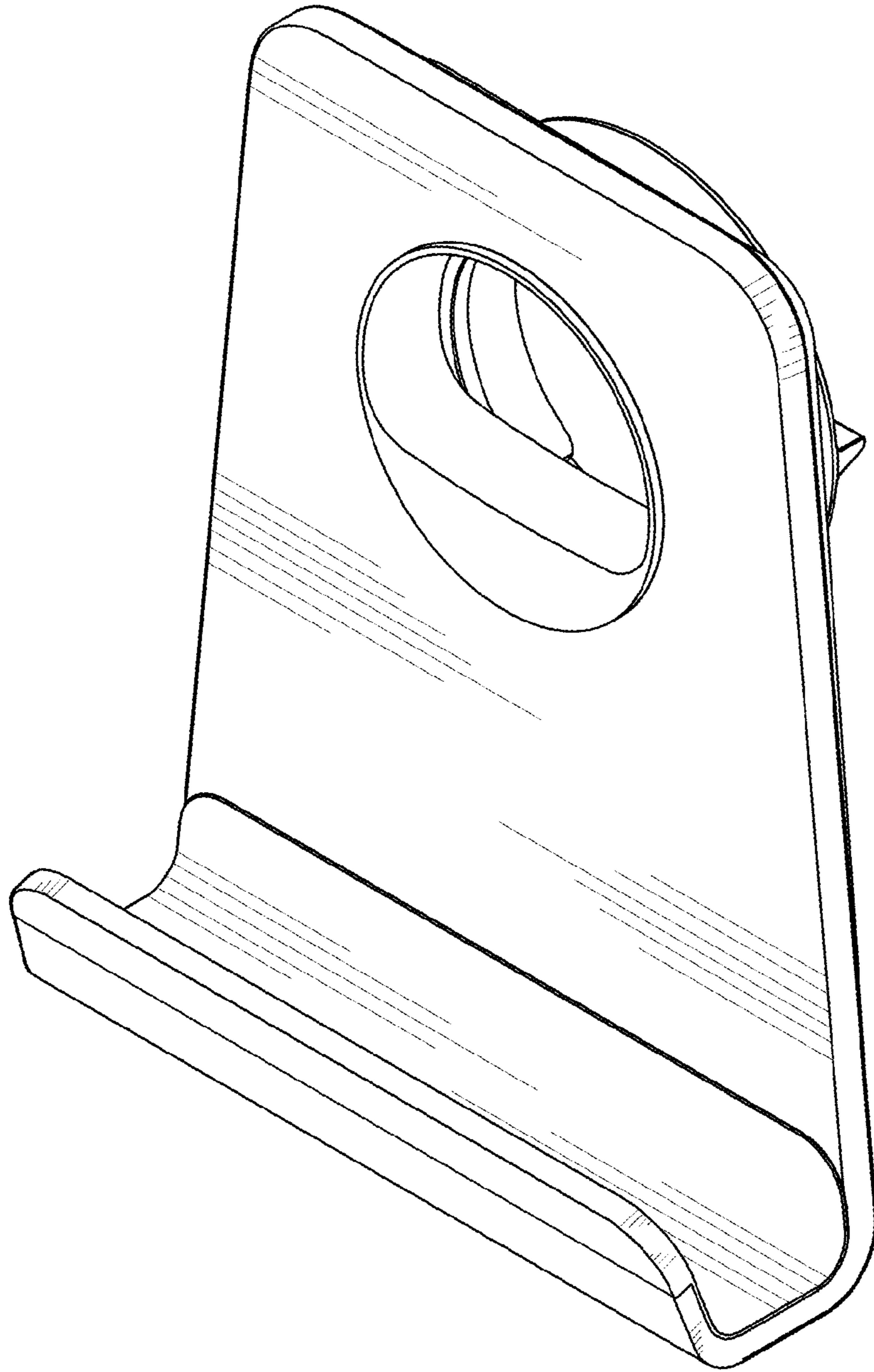
The ornamental design for a notebook holder, is as shown and described.

**DESCRIPTION**

FIG. 1 is a perspective view of a notebook holder showing my new design;  
FIG. 2 is a front elevational view thereof;  
FIG. 3 is a rear elevational view thereof;  
FIG. 4 is a left elevational view thereof;  
FIG. 5 is a right elevational view thereof;  
FIG. 6 is a top view thereof; and,  
FIG. 7 is a bottom view thereof.

**1 Claim, 7 Drawing Sheets**





**FIG. 1**

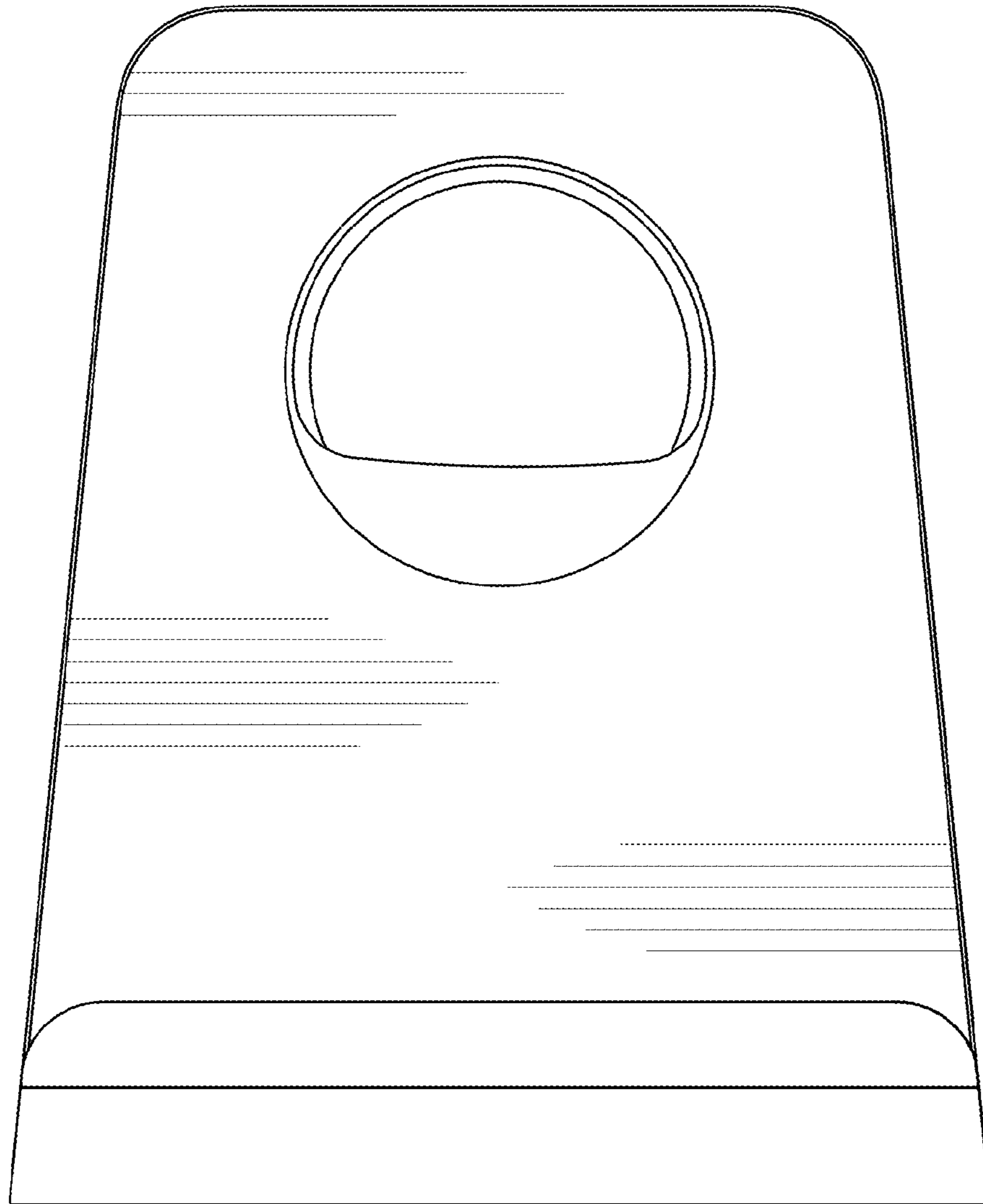


FIG. 2

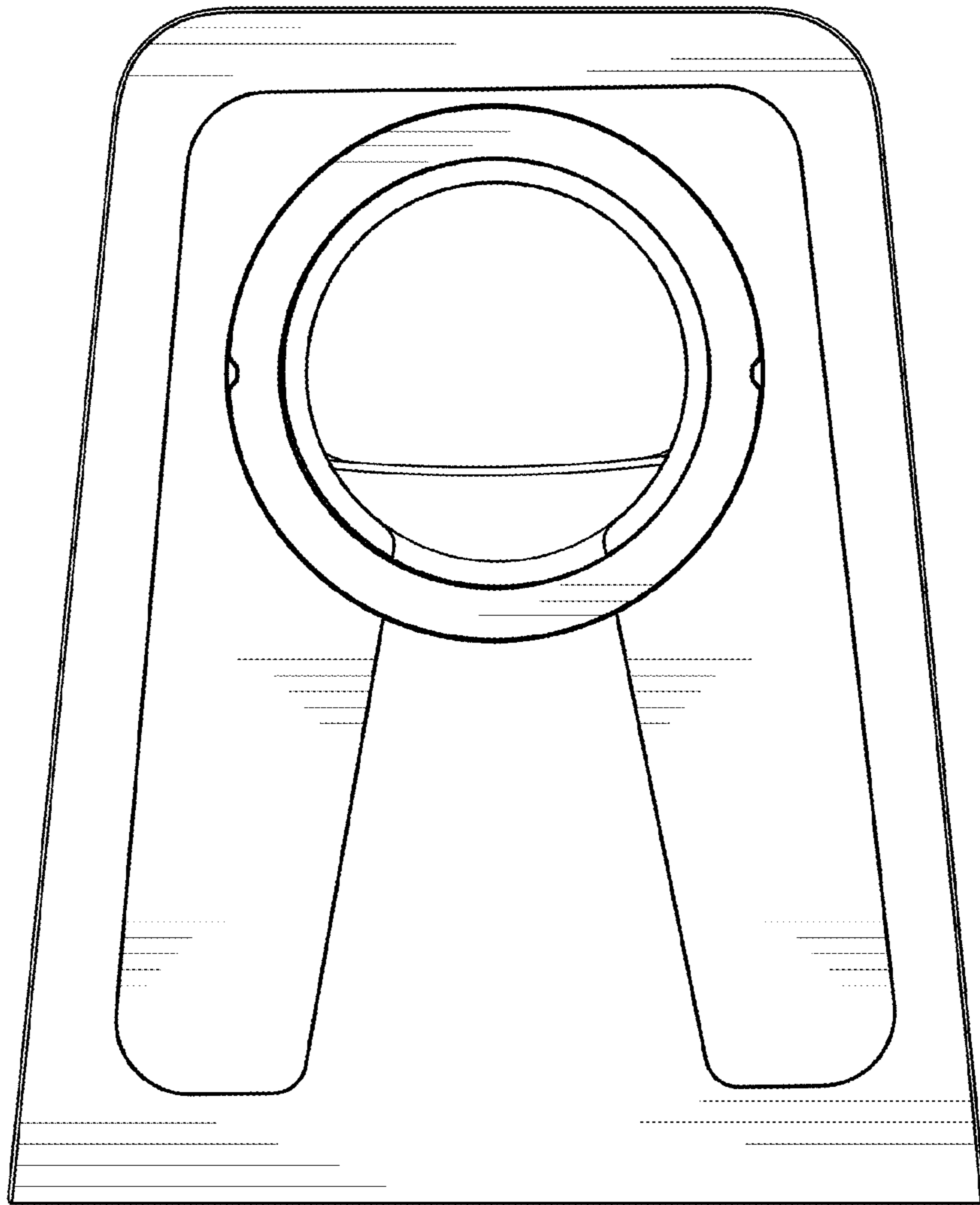
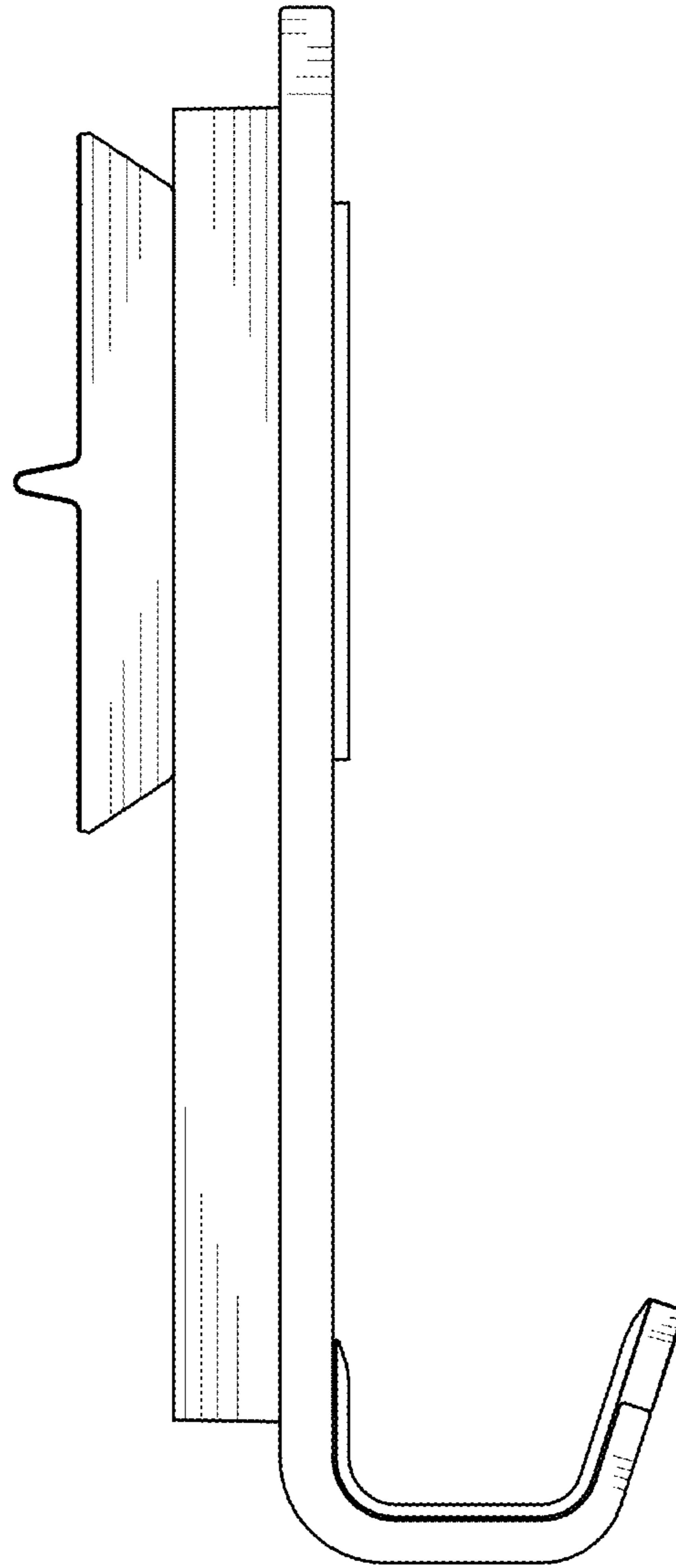
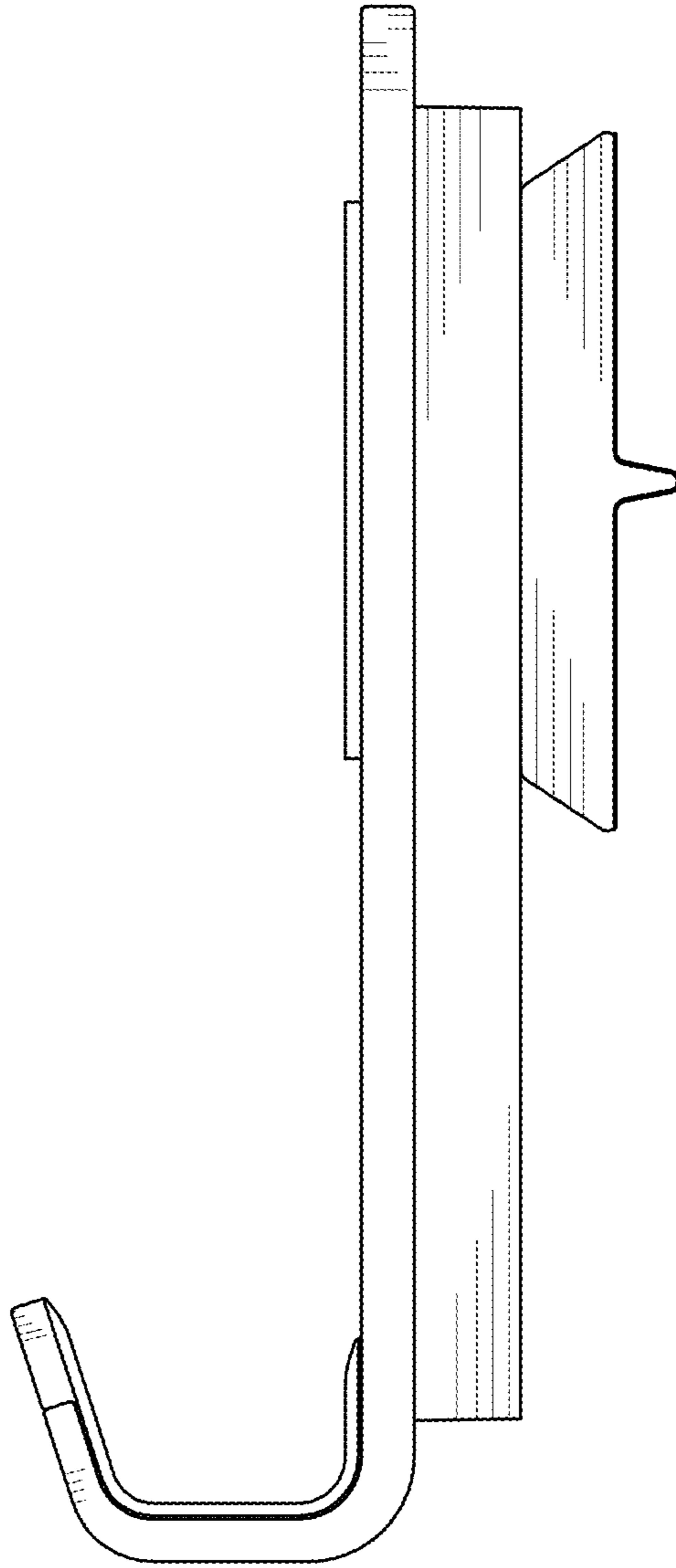


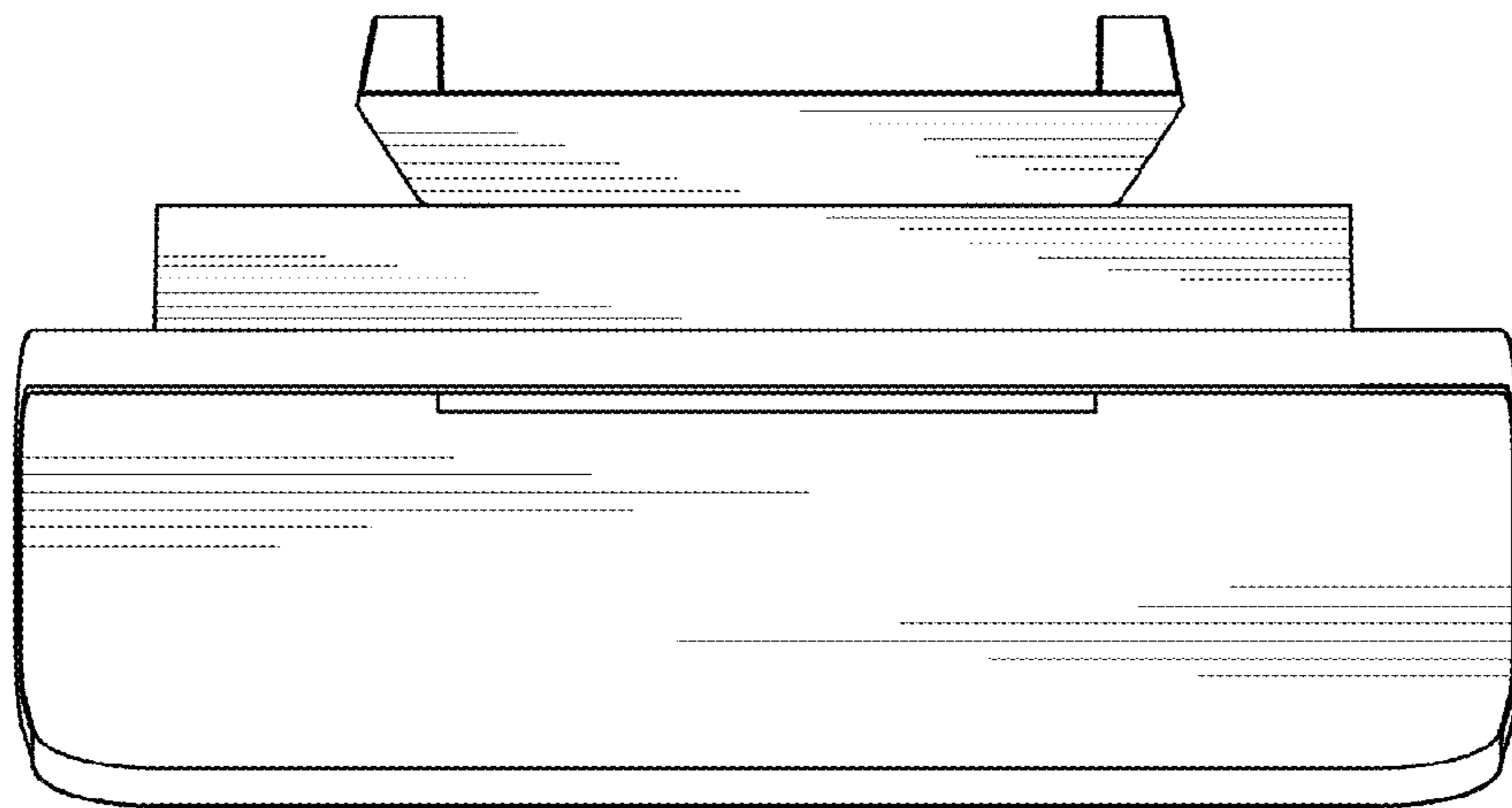
FIG. 3



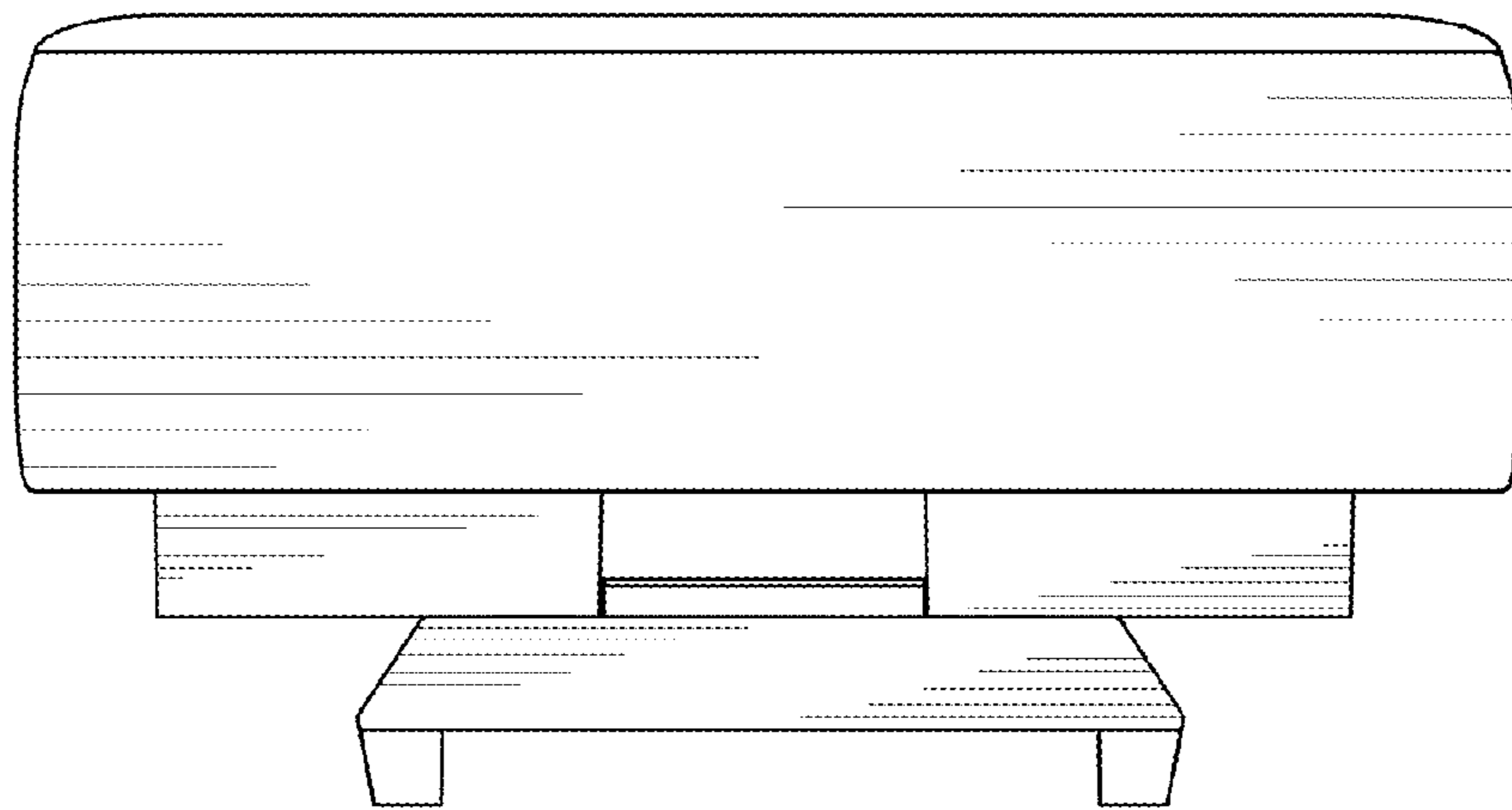
**FIG. 4**



**FIG. 5**



**FIG. 6**



**FIG. 7**