



US00D688668S

(12) **United States Design Patent**
Ben-Gad et al.

(10) **Patent No.:** **US D688,668 S**

(45) **Date of Patent:** **** Aug. 27, 2013**

(54) **MEMORY CARD**

(75) Inventors: **Gadi Ben-Gad**, Netanya (IL); **Itzhak Pomerantz**, Kefar Sava (IL)

(73) Assignee: **SanDisk Technologies Inc.**, Plano, TX (US)

(**) Term: **14 Years**

(21) Appl. No.: **29/417,076**

(22) Filed: **Mar. 29, 2012**

(51) **LOC (9) Cl.** **14-02**

(52) **U.S. Cl.**
USPC **D14/436**

(58) **Field of Classification Search**

USPC D14/435-438, 478-480; 235/441, 235/443, 487, 492, 493, 495; 361/737, 679, 361/752, 736, 728, 796, 797, 729, 730, 725-727; 257/678, 679, 693, E23.064; 439/946, 948, 439/159; 174/250, 260, 52.1, 52.2; 710/300-303; 438/121

See application file for complete search history.

(56) **References Cited**

U.S. PATENT DOCUMENTS

D290,119 S *	6/1987	Trezise et al.	D14/189
D292,399 S *	10/1987	Yukawa	D14/435
D294,020 S *	2/1988	Yukawa	D14/435
D315,902 S *	4/1991	Nakauma	D14/435
D315,903 S *	4/1991	Nakauma	D14/435

(Continued)

OTHER PUBLICATIONS

“Any way to make SD card flush?” <http://forums.macrumors.com/showthread.php?t=795066>, 6 pages, Sep. 29, 2009.

(Continued)

Primary Examiner — Susan Moon Lee

(74) *Attorney, Agent, or Firm* — Brinks Hofer Gilson & Lione

(57) **CLAIM**

The ornamental design for a memory card, substantially as shown and described.

DESCRIPTION

FIG. 1 is a front perspective view of a memory card according to a first embodiment of our new design, where an extendible gripping portion of the memory card is in a first position;

FIG. 2 is a top plan view thereof;

FIG. 3 is a bottom plan view thereof;

FIG. 4 is a right side elevation view thereof;

FIG. 5 is a left side elevation view thereof;

FIG. 6 is a front elevation view thereof;

FIG. 7 is a rear elevation view thereof;

FIG. 8 is another front perspective view thereof, showing an environment in broken lines in which an article embodying the claimed design may be used;

FIG. 9 is a front perspective view of the memory card according to the first embodiment, where the extendible gripping portion of the memory card is in a second position;

FIG. 10 is a top plan view thereof;

FIG. 11 is a bottom plan view thereof;

FIG. 12 is a right side elevation view thereof;

FIG. 13 is a left side elevation view thereof;

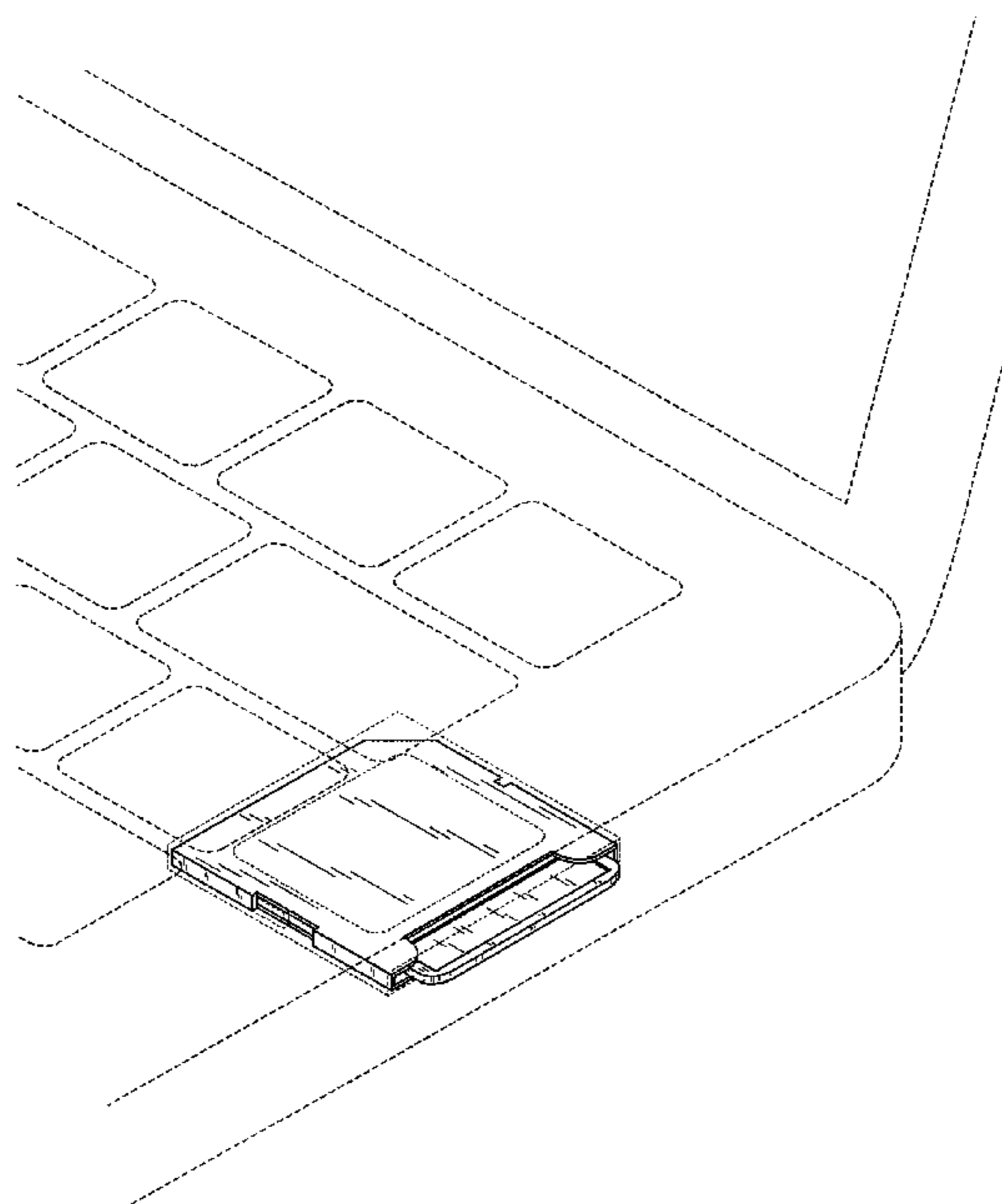
FIG. 14 is a front elevation view thereof;

FIG. 15 is a rear elevation view thereof; and,

FIG. 16 is another front perspective view thereof, showing an environment in broken lines in which an article embodying the claimed design may be used.

Broken lines and unshaded portions contained within broken lines are not claimed.

1 Claim, 4 Drawing Sheets



(56)

References Cited

U.S. PATENT DOCUMENTS

D318,273 S * 7/1991 Takaichi D14/435
 D337,568 S * 7/1993 Ellis D14/435
 D350,951 S * 9/1994 Tseng D14/435
 D365,556 S * 12/1995 Inoue et al. D14/435
 D382,868 S * 8/1997 Ashida D14/435
 D410,916 S * 6/1999 Oba D14/432
 5,918,163 A * 6/1999 Rossi 455/558
 D414,481 S * 9/1999 Wu D14/436
 D417,212 S * 11/1999 Oba D14/435
 D421,856 S * 3/2000 Kirihara et al. D6/407
 D422,981 S * 4/2000 Sumner et al. D14/435
 6,097,605 A * 8/2000 Klatt et al. 361/737
 D434,042 S * 11/2000 Yasufuku et al. D14/436
 D444,789 S * 7/2001 Obata D14/436
 D451,501 S * 12/2001 Sward et al. D14/242
 6,333,854 B1 * 12/2001 Sasaoka et al. 361/737
 6,381,143 B1 * 4/2002 Nakamura 361/737
 D460,453 S * 7/2002 Homma et al. D14/435
 D466,119 S * 11/2002 Funahashi et al. D14/384
 D467,586 S * 12/2002 Shimoda et al. D14/436
 6,545,643 B1 * 4/2003 Sward et al. 343/702
 6,567,273 B1 5/2003 Liu et al.
 6,655,972 B2 * 12/2003 Sato 439/159
 D487,747 S * 3/2004 Yu et al. D14/436
 6,729,892 B2 * 5/2004 Takada et al. 439/159
 D492,686 S * 7/2004 Yu et al. D14/436
 6,816,386 B2 * 11/2004 Oguchi et al. 361/769
 6,834,810 B2 * 12/2004 Maruyama 235/492
 D504,433 S * 4/2005 Nishizawa et al. D14/436
 D510,935 S * 10/2005 Yamada et al. D14/436
 6,979,227 B2 * 12/2005 Ikeda 439/630
 D515,587 S * 2/2006 Cuellar et al. D14/436
 D517,072 S * 3/2006 Yamada et al. D14/436
 7,032,827 B2 * 4/2006 Wang et al. 235/492
 D523,860 S * 6/2006 Xu et al. D14/436
 7,059,871 B1 * 6/2006 Hsiao 439/76.1
 7,094,106 B2 * 8/2006 Yamamoto et al. 439/630
 D529,031 S * 9/2006 Huang et al. D14/436
 D530,331 S 10/2006 Yao
 7,152,801 B2 * 12/2006 Cuellar et al. 235/492
 D535,297 S * 1/2007 Cuellar et al. D14/436
 D536,382 S * 2/2007 Sugino et al. D21/332
 7,179,129 B1 * 2/2007 Hwang 439/630
 D551,669 S * 9/2007 Kadonaga D14/436
 D556,202 S * 11/2007 Kadonaga D14/436

D558,199 S * 12/2007 Fiorentino D14/436
 7,320,622 B2 * 1/2008 Ying et al. 439/630
 7,392,343 B2 * 6/2008 Oshima 711/115
 7,410,376 B2 * 8/2008 Ying et al. 439/159
 D586,349 S * 2/2009 Matsumoto et al. D14/436
 D591,751 S 5/2009 Ku
 D591,752 S * 5/2009 Aoki D14/436
 D591,754 S * 5/2009 Hwangbo et al. D14/436
 D604,738 S * 11/2009 Matsumoto et al. D14/436
 7,798,840 B2 9/2010 Hubert et al.
 D641,050 S * 7/2011 Matsui et al. D21/332
 D643,432 S * 8/2011 Nakamura D14/436
 8,060,131 B2 * 11/2011 Shin et al. 455/550.1
 D670,292 S * 11/2012 Komatani et al. D14/436
 2001/0043160 A1 * 11/2001 Hirai et al. 343/702
 2004/0037145 A1 * 2/2004 Tagawa et al. 365/222
 2005/0021909 A1 * 1/2005 Much et al. 711/115
 2005/0247786 A1 * 11/2005 Chen 235/441
 2005/0279838 A1 * 12/2005 Wang et al. 235/492
 2006/0172603 A1 * 8/2006 Matsumoto et al. 439/630
 2007/0126099 A1 * 6/2007 Aoki et al. 257/679
 2007/0228536 A1 * 10/2007 Aoki 257/678
 2011/0182037 A1 * 7/2011 Katsumura 361/728

OTHER PUBLICATIONS

“SD reader flush solution”, <http://forums.macrumors.com/showthread.php?t=1040837>, 6 pages, Oct. 31, 2010.
 “Secure Digital,” http://en.wikipedia.org/wiki/Secure_digital, 25 pages, printed Mar. 6, 2012.
 “Host Device with Memory Card Slot and Associated Fingernail Recess,” U.S. Appl. No. 13/434,455, filed Mar. 29, 2012, inventor: Leah Sherry.
 “Memory Card,” U.S. Appl. No. 13/434,438, filed Mar. 29, 2012, inventors: Gadi Ben-Gad and Itzhak Pomerantz.
 “The Nifty MiniDrive-Indiegogo”, <http://www.indiegogo.com/The-Nifty-MiniDrive-More-Space-Pretty-Package?c=home>, printed on Jan. 3, 2013, 9 pages.
 “The Nifty MiniDrive-Indiegogo-Comments”, <http://www.indiegogo.com/The-Nifty-MiniDrive-More-Space-Pretty-Package?c=comments>, printed on Jan. 3, 2013, 11 pages.
 “The Nifty MiniDrive”, <http://www.facebook.com/TheNiftyMiniDrive>, printed on Jan. 3, 2013, 10 pages.
 “The Nifty MiniDrive by niftydrives-Kickstarter”, <http://www.kickstarter.com/projects/1342319572/the-nifty-minidrive>, printed on Jan. 3, 2013, 9 pages.

* cited by examiner

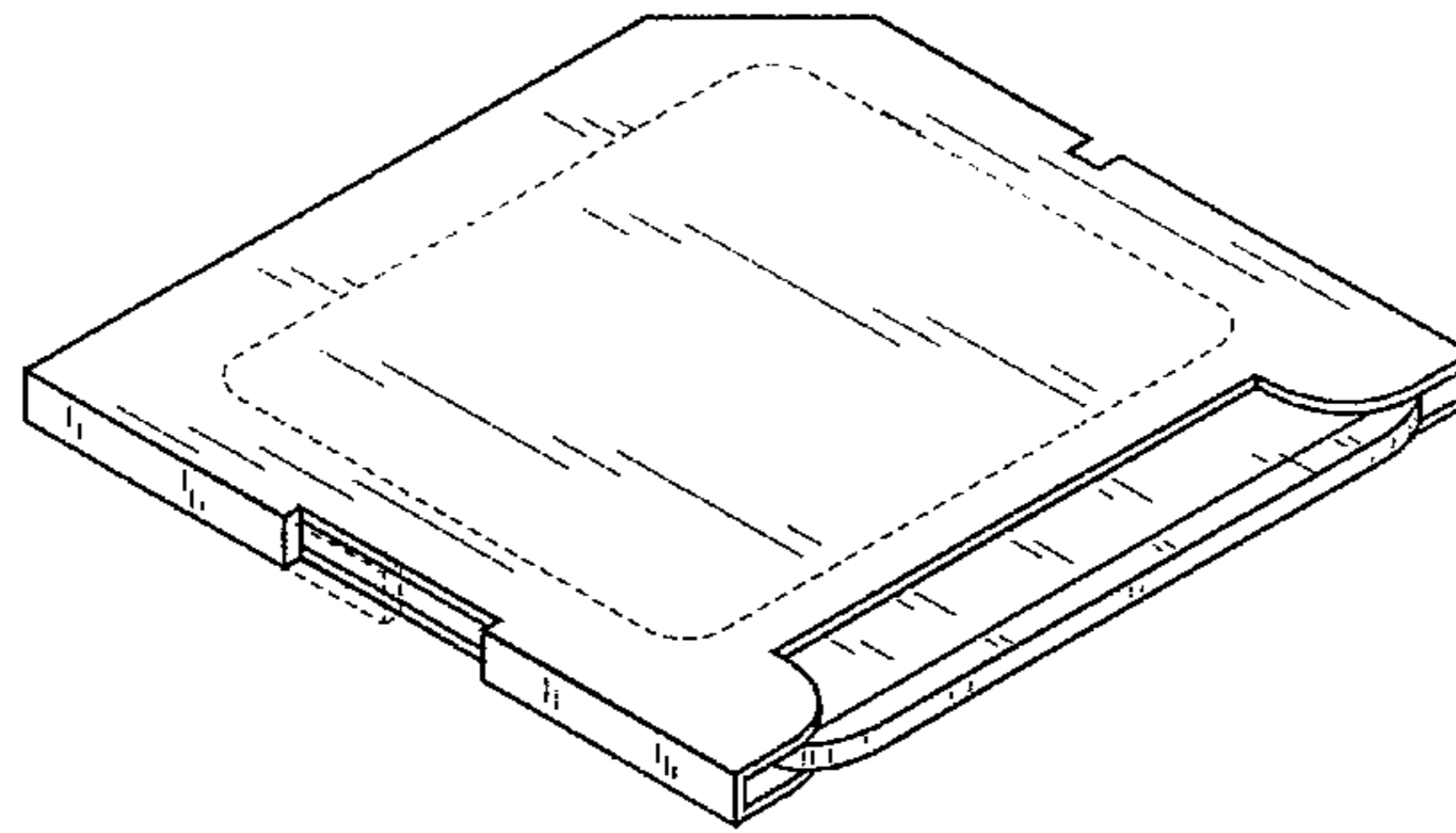


FIG. 1

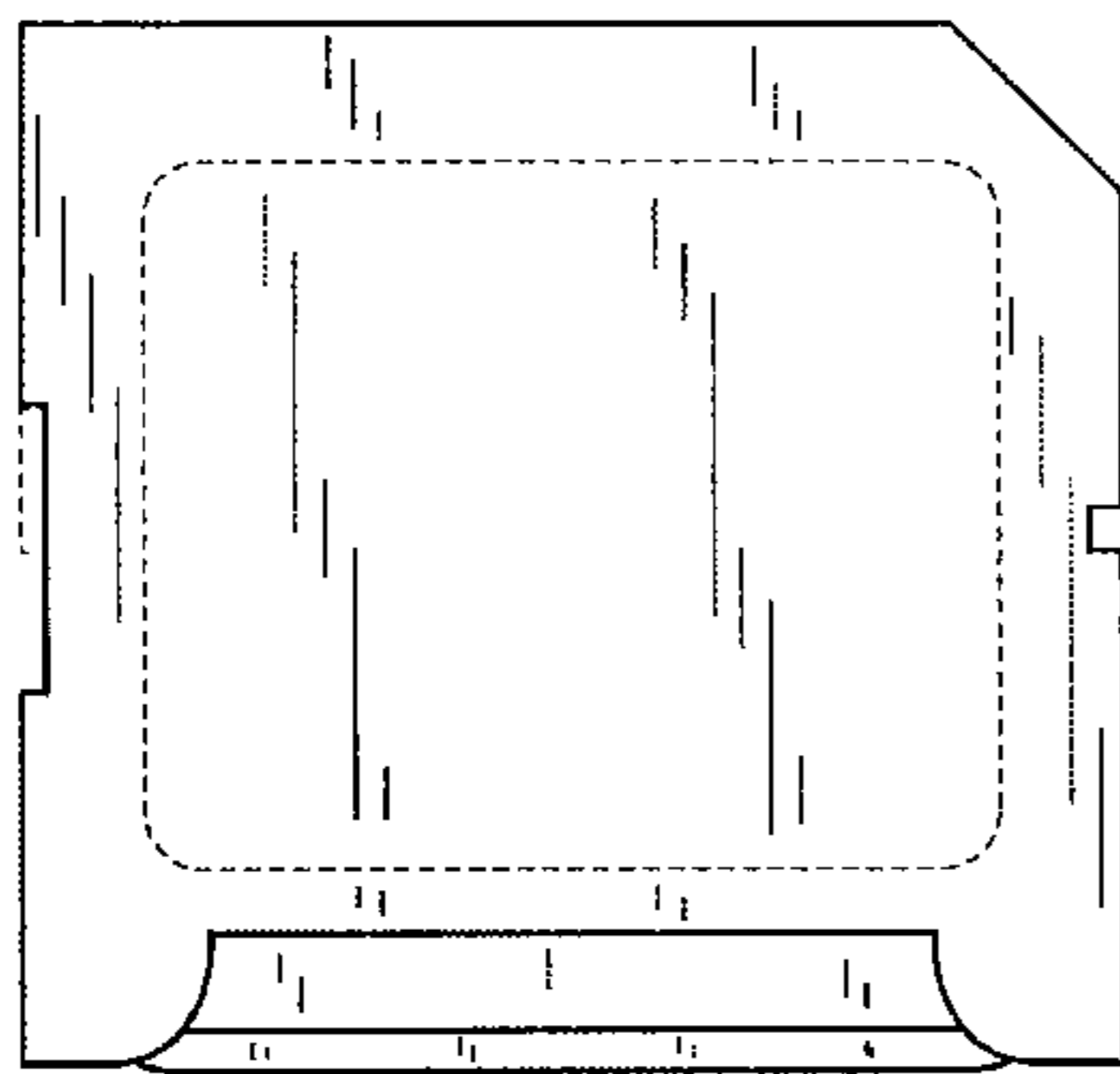


FIG. 2

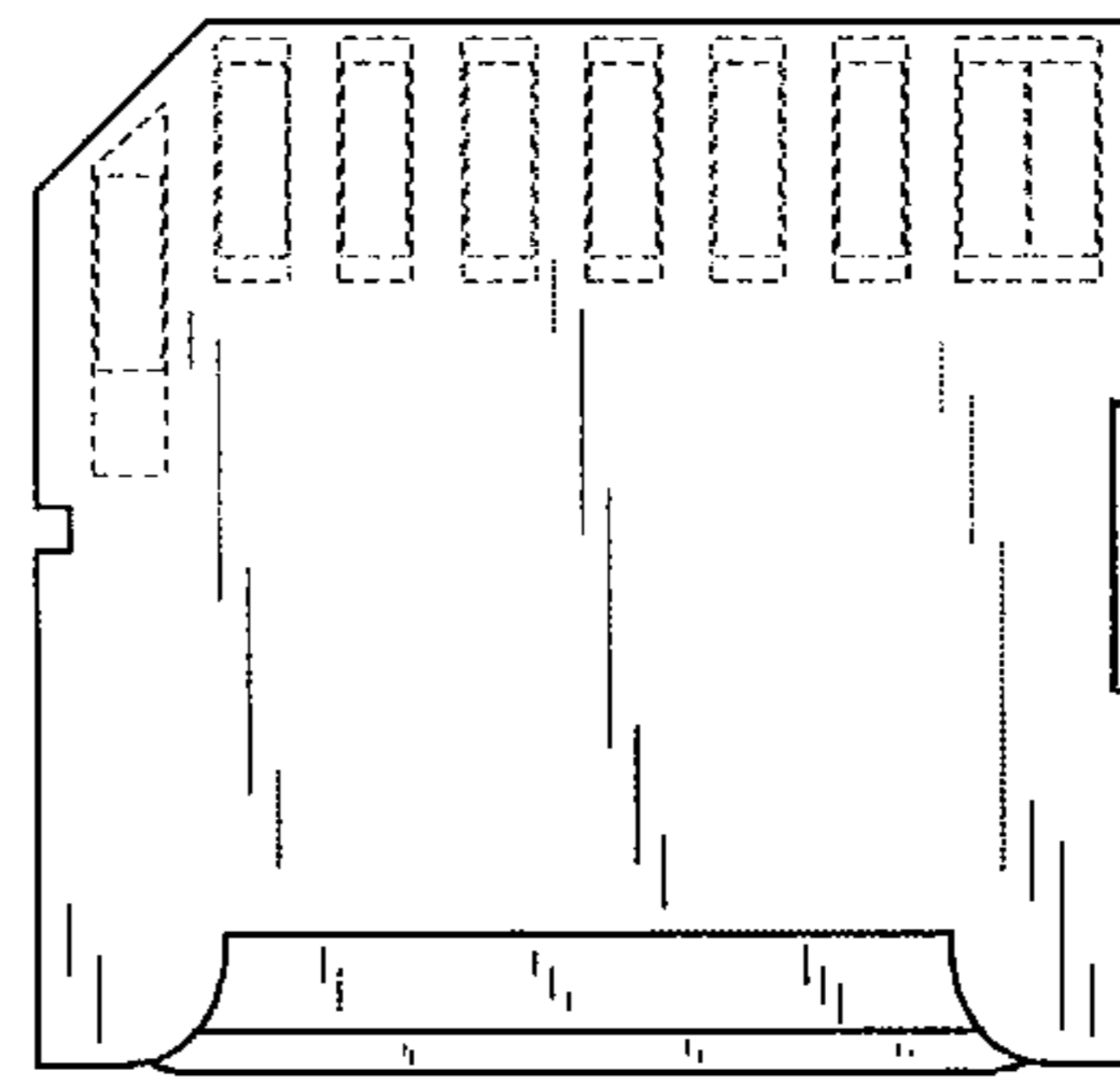


FIG. 3

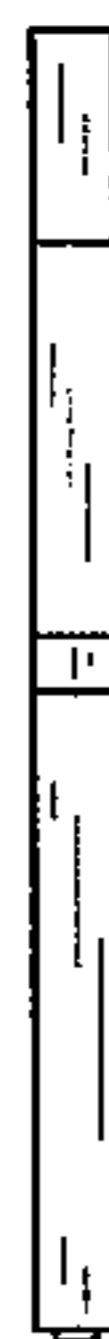


FIG. 4

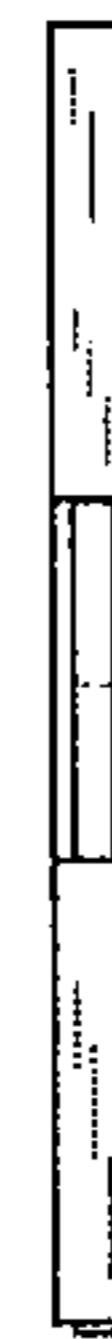


FIG. 5

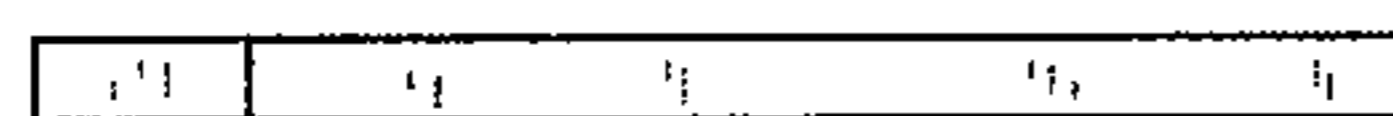


FIG. 6

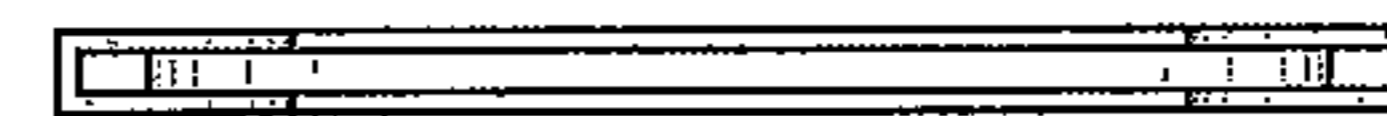


FIG. 7

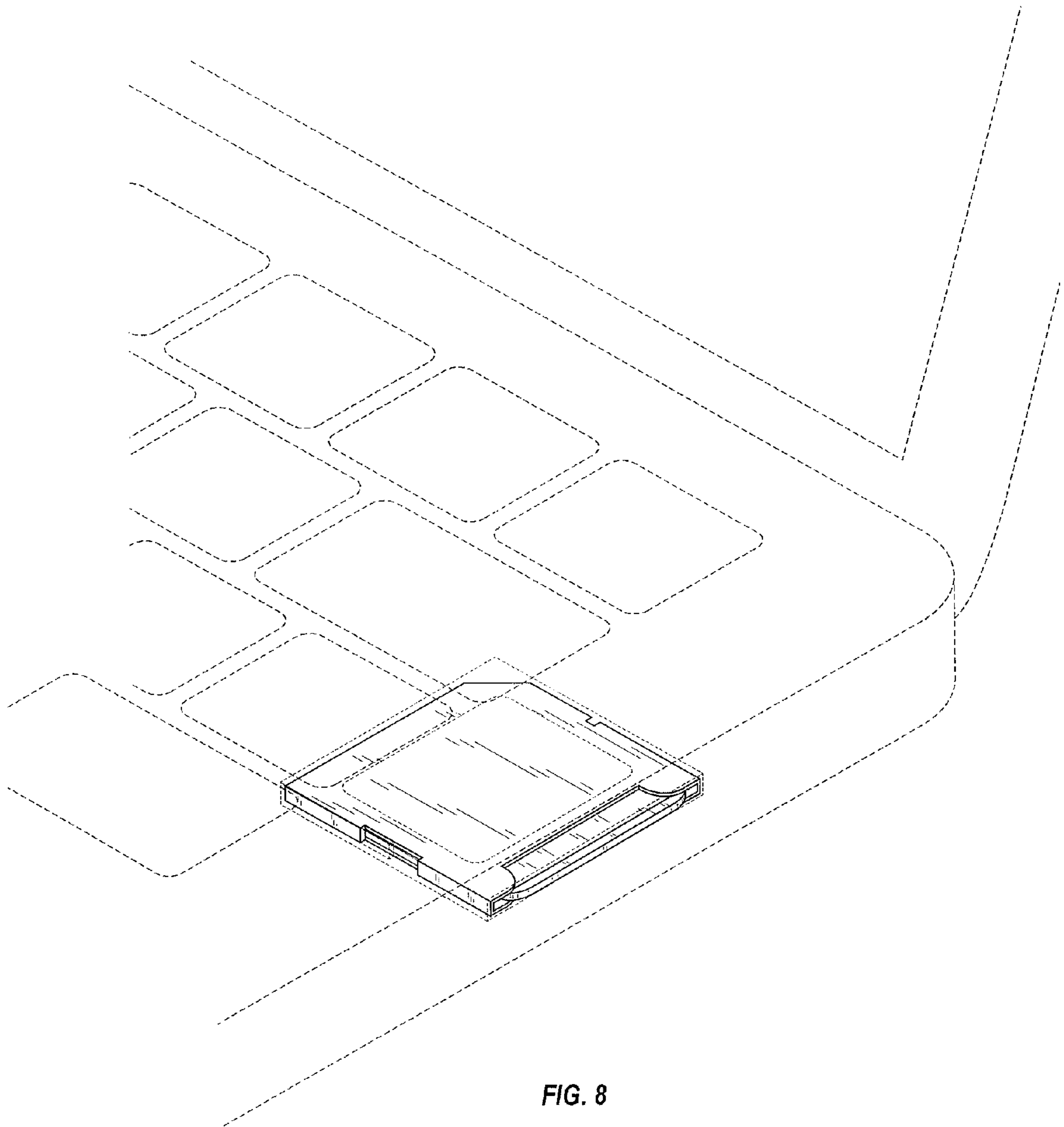


FIG. 8

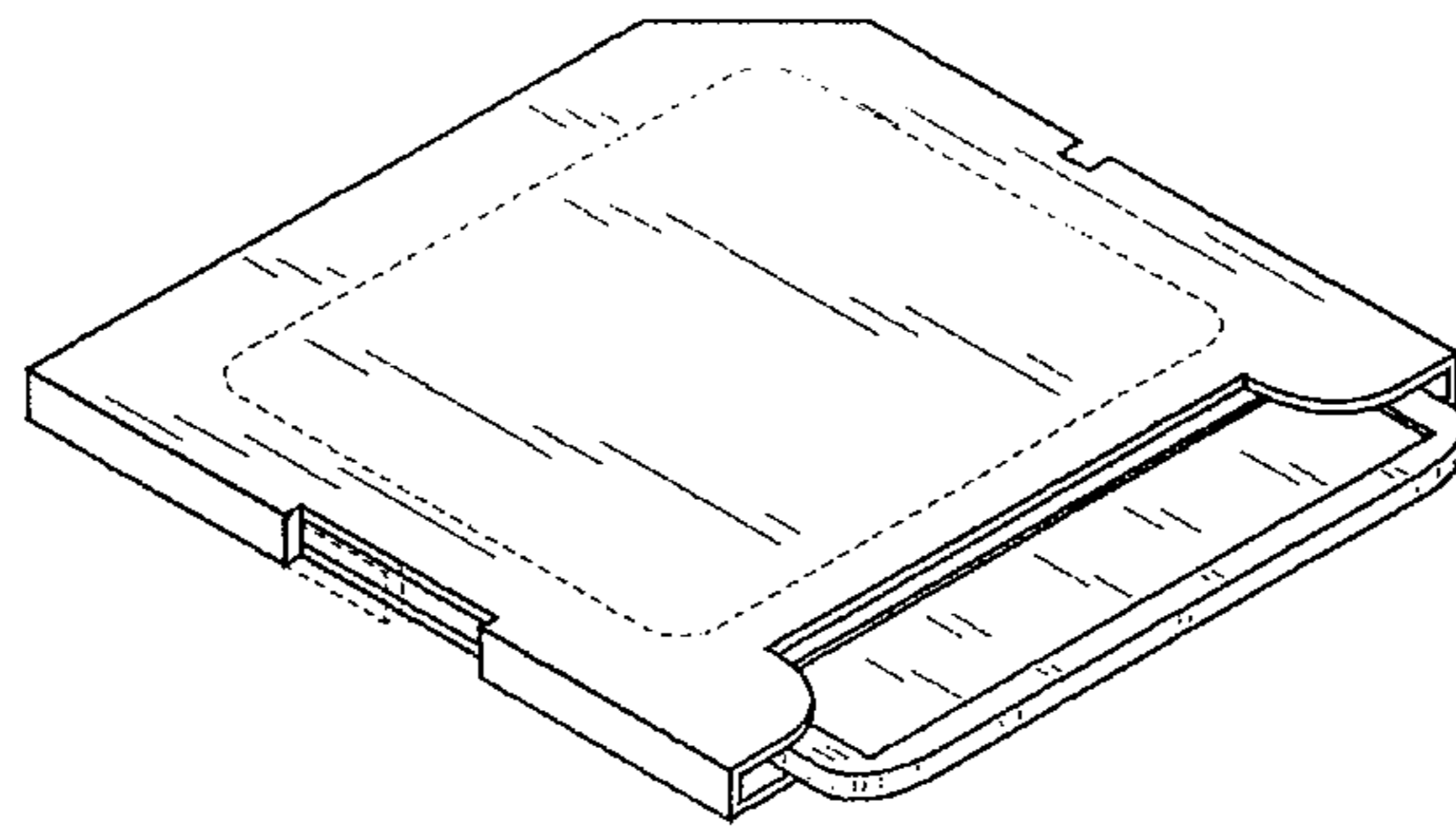


FIG. 9

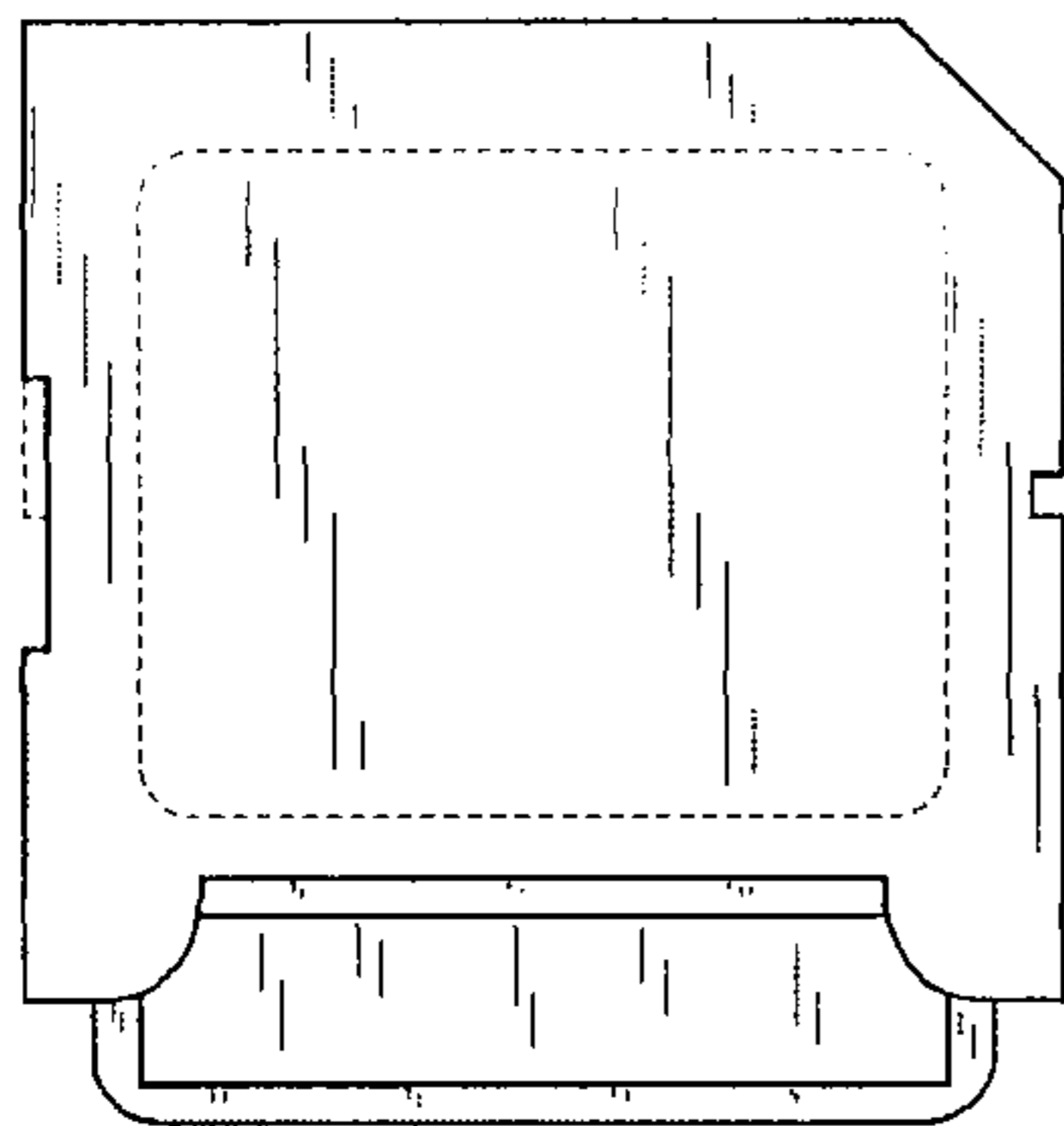


FIG. 10

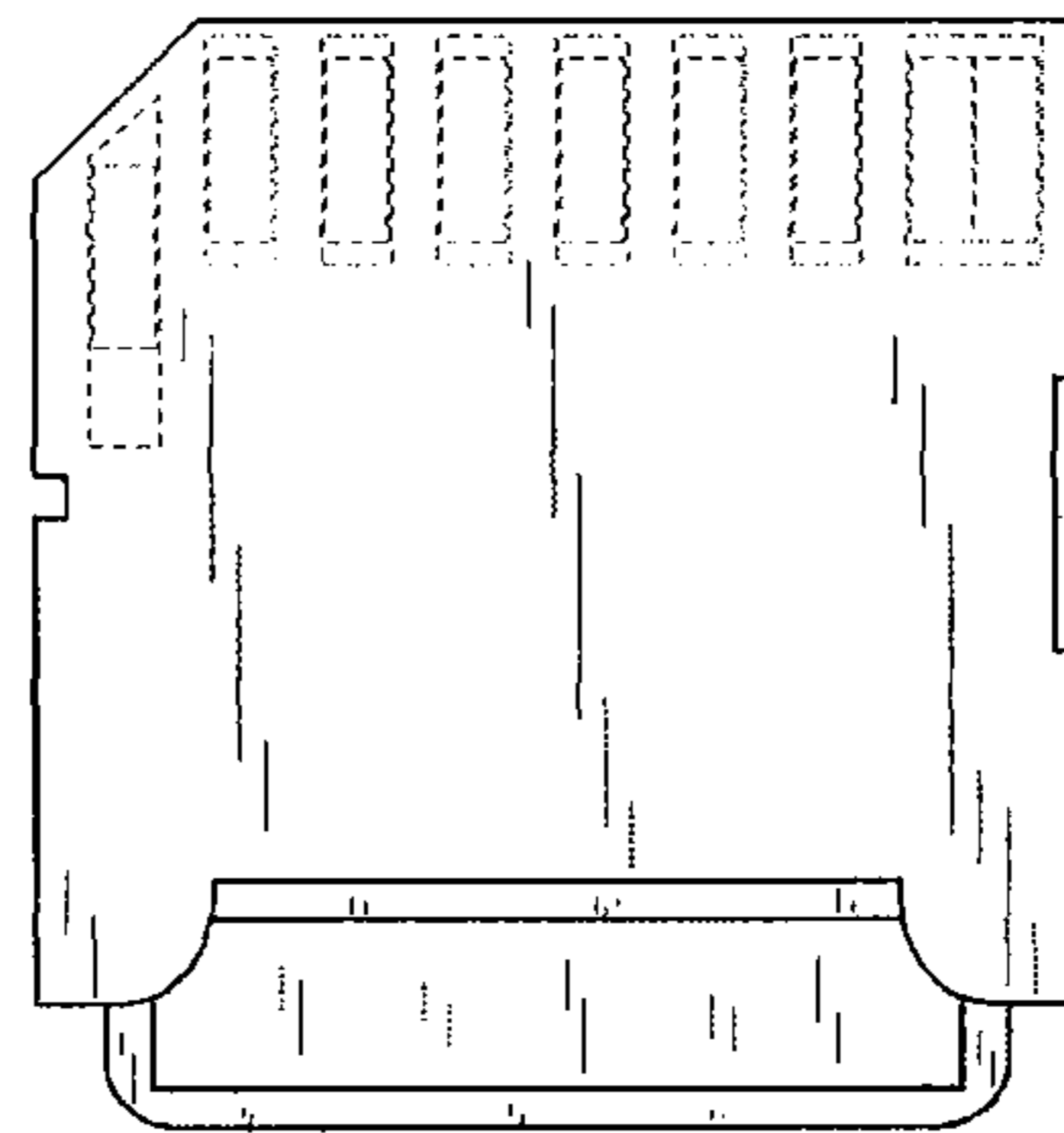


FIG. 11



FIG. 12



FIG. 13

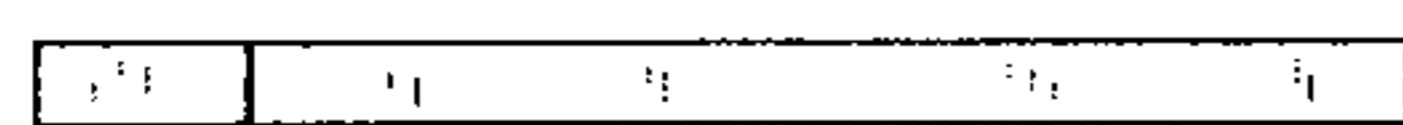


FIG. 14

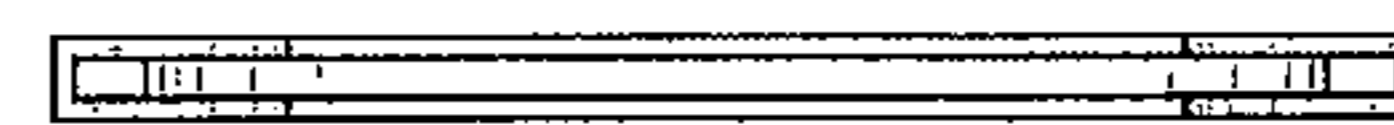


FIG. 15

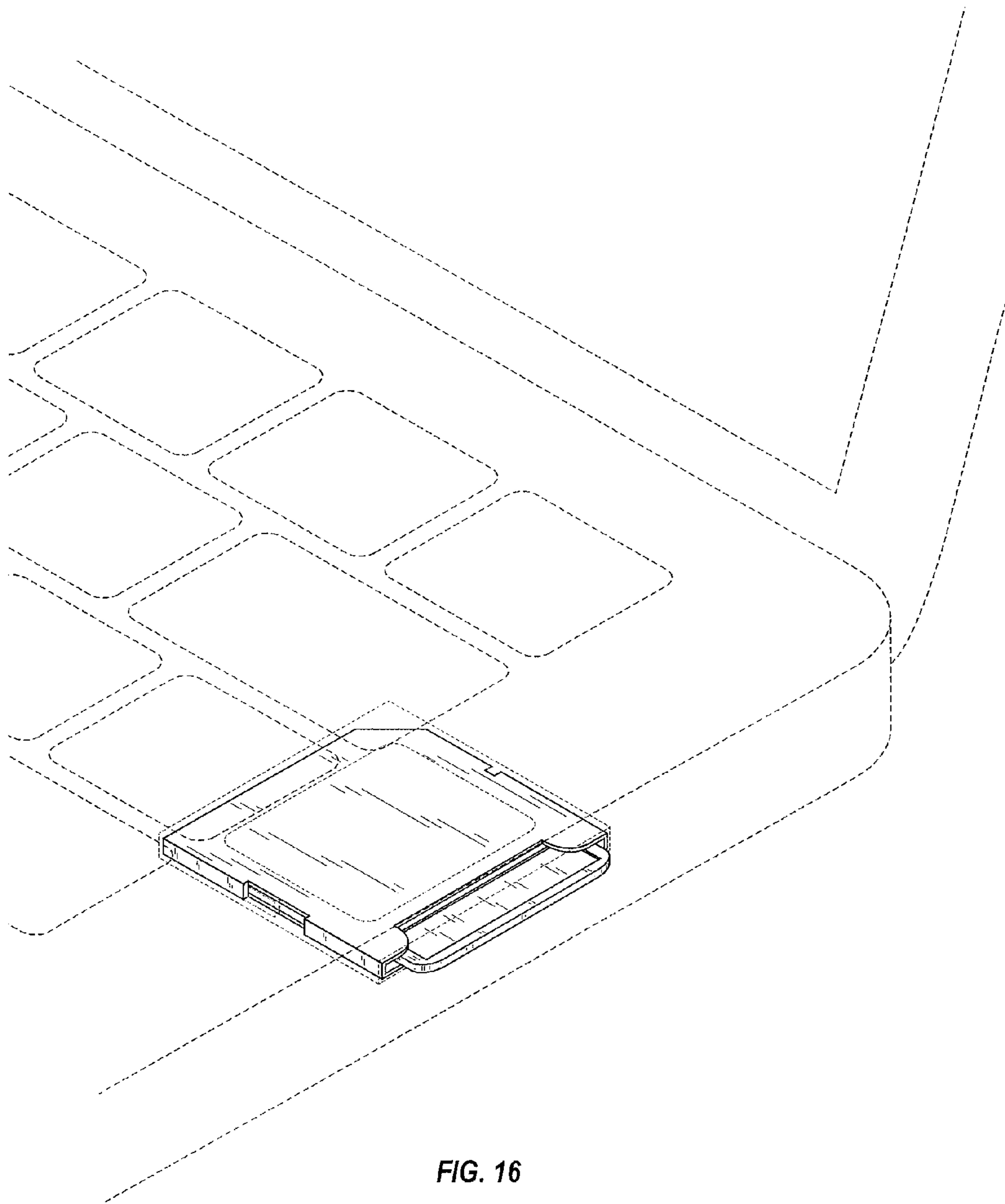


FIG. 16