



US00D688666S

(12) **United States Design Patent**
Kowari et al.

(10) **Patent No.:** **US D688,666 S**

(45) **Date of Patent:** **** Aug. 27, 2013**

(54) **ELECTRONIC PEN**

(71) Applicant: **Panasonic Corporation**, Kadoma (JP)

(72) Inventors: **Kazuya Kowari**, Osaka (JP); **Tomonari Oogami**, Osaka (JP); **Mitsuhiro Ishizuka**, Osaka (JP)

(73) Assignee: **Panasonic Corporation**, Osaka (JP)

(**) Term: **14 Years**

(21) Appl. No.: **29/445,466**

(22) Filed: **Feb. 12, 2013**

(30) **Foreign Application Priority Data**

Jan. 24, 2013 (JP) 2013-001244

(51) **LOC (9) Cl.** **14-02**

(52) **U.S. Cl.**
USPC **D14/411**

(58) **Field of Classification Search**
USPC D8/61; D14/411; D19/35, 36, 41-51,
D19/54-58; 401/55, 99, 100, 104-107, 196,
401/197, 202, 208, 209, 213, 192, 195, 243;
708/107; 345/179, 173; 178/19.01; 700/94
See application file for complete search history.

(56) **References Cited**

U.S. PATENT DOCUMENTS

D584,772 S * 1/2009 Hackenberg et al. D19/51
D602,527 S * 10/2009 Heck et al. D19/51

D614,623 S * 4/2010 Crisp et al. D14/411
D619,581 S * 7/2010 Tani et al. D14/411
D634,747 S * 3/2011 Wong et al. D14/411
D670,699 S * 11/2012 Sato D14/411
D670,700 S * 11/2012 Halsinger et al. D14/411
D675,621 S * 2/2013 Fletcher et al. D14/411
D676,049 S * 2/2013 Lee et al. D14/411
D678,282 S * 3/2013 Izen et al. D14/411

FOREIGN PATENT DOCUMENTS

JP D1460699 S 2/2013
JP D1460718 S 2/2013

* cited by examiner

Primary Examiner — Austin Murphy

(74) *Attorney, Agent, or Firm* — Brinks Hofer Gilson & Lione

(57) **CLAIM**

We claim the ornamental design for an electronic pen, as shown and described.

DESCRIPTION

FIG. 1 is a top perspective view of an electronic pen of the present invention;
FIG. 2 is a top view thereof;
FIG. 3 is a bottom view thereof;
FIG. 4 is a left side view thereof;
FIG. 5 is a right side view thereof;
FIG. 6 is a front view thereof; and,
FIG. 7 is a rear view thereof.

The broken lines shown represent unclaimed subject matter and form no part of the claimed design.

1 Claim, 4 Drawing Sheets

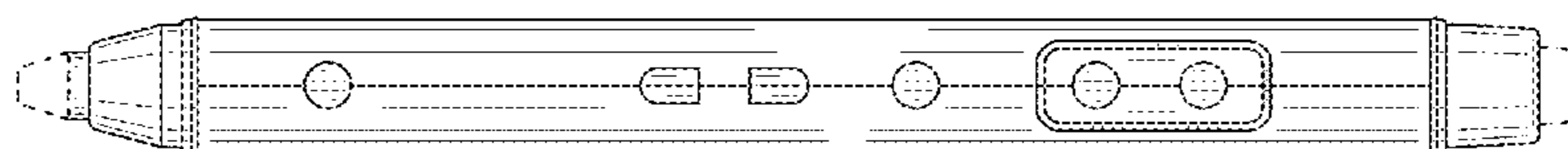
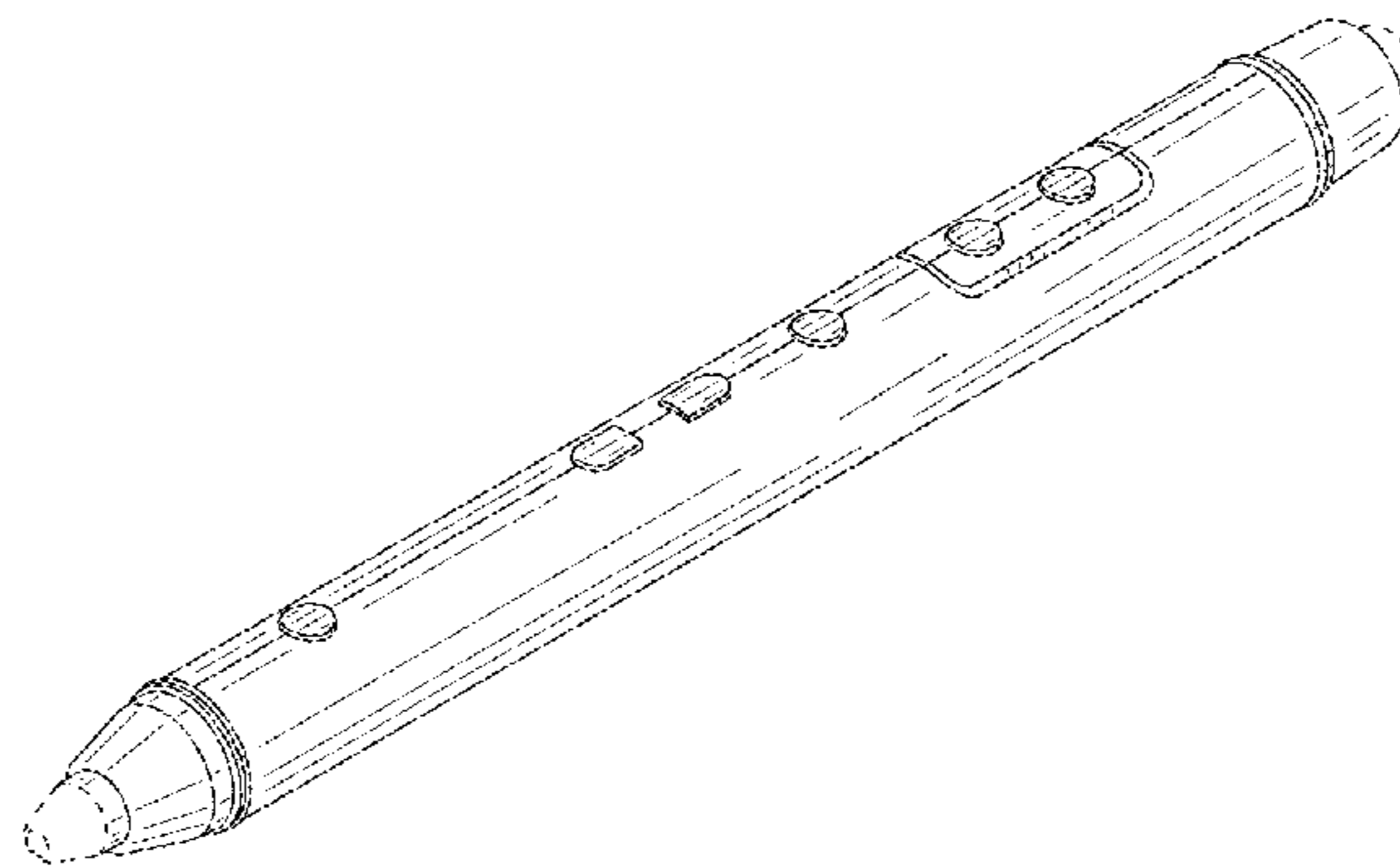


FIG. 1

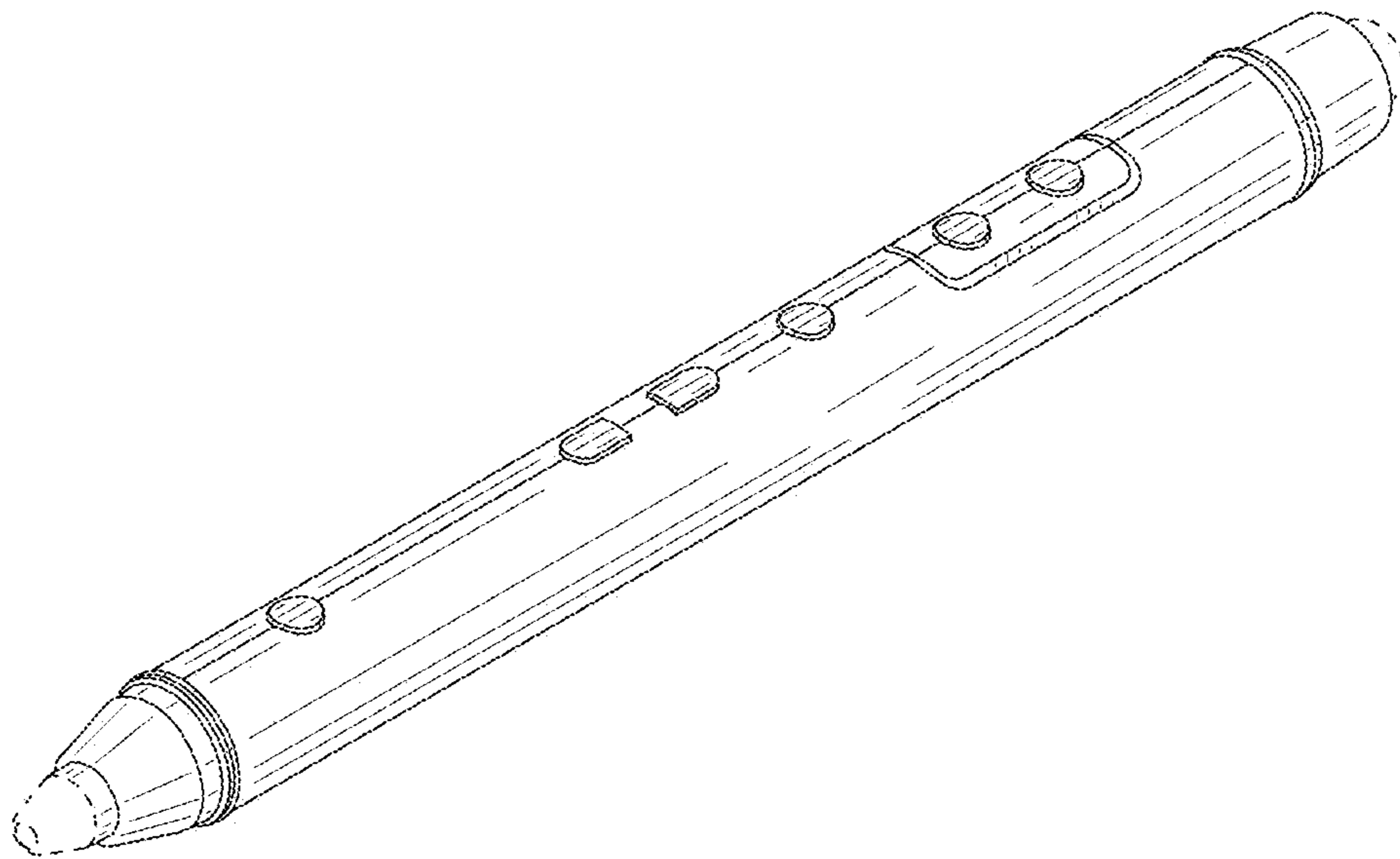


FIG. 2

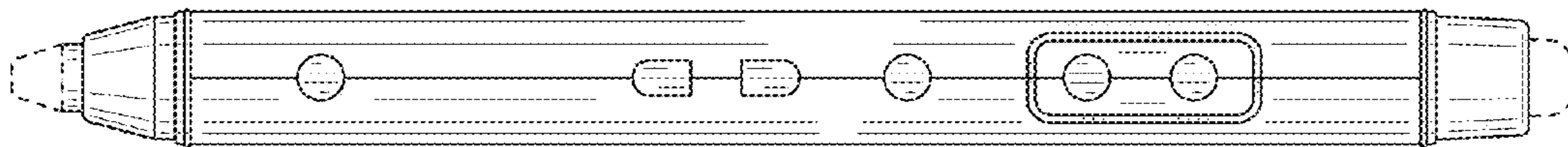


FIG. 3

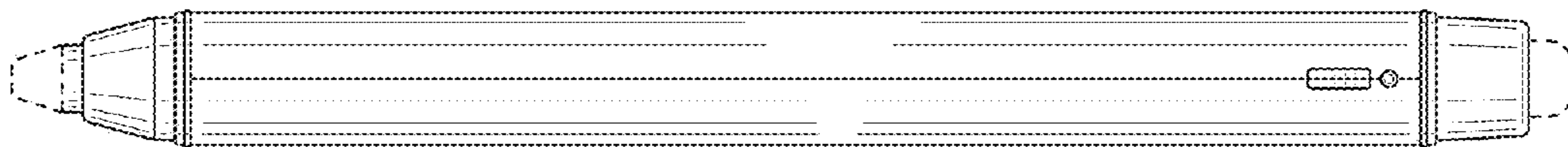


FIG. 4

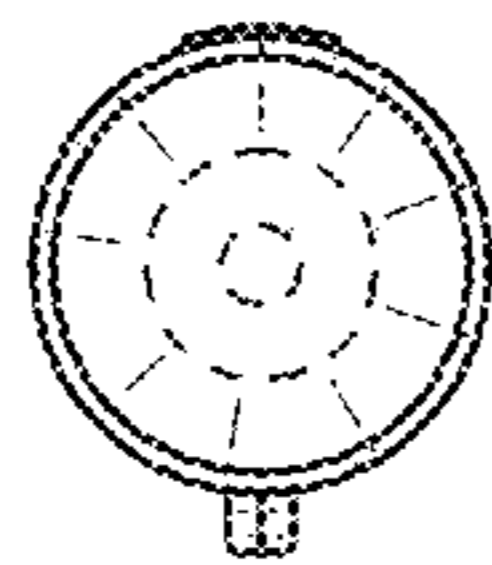


FIG. 5

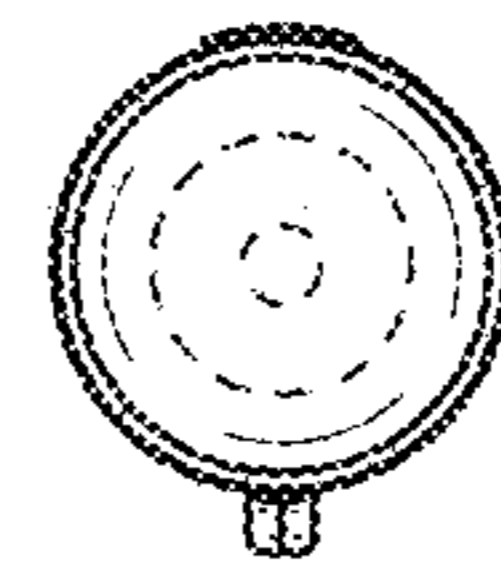


FIG. 6

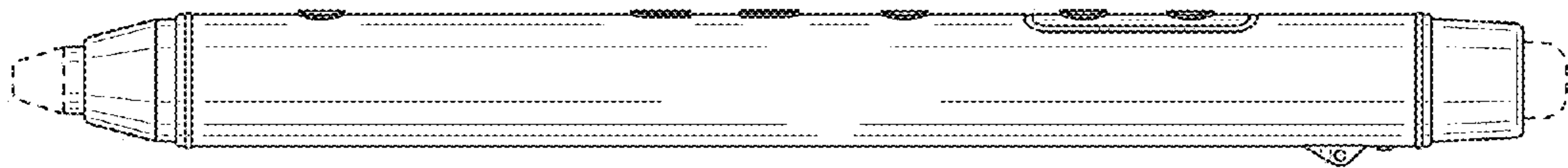


FIG. 7

