



US00D688662S

(12) **United States Design Patent**
Gomez

(10) **Patent No.:** **US D688,662 S**

(45) **Date of Patent:** **** Aug. 27, 2013**

(54) **HARD DRIVE ADAPTER**

(75) Inventor: **Adolfo A. Gomez**, Golden, CO (US)

(73) Assignee: **Hewlett-Packard Development Company, L.P.**, Houston, TX (US)

(**) Term: **14 Years**

(21) Appl. No.: **29/424,176**

(22) Filed: **Jun. 8, 2012**

(51) **LOC (9) Cl.** **14-02**

(52) **U.S. Cl.**
USPC **D14/348**

(58) **Field of Classification Search**
USPC D14/300–302, 308, 349–356, 313,
D14/363–368; D13/162, 184, 199;
312/223.1–223.3, 351.11; 360/99.01–99.12;
369/34.01–36.01; 361/679.31, 679.33–679.39,
361/679.6, 600, 679.01, 679.02; 720/738
See application file for complete search history.

(56) **References Cited**

U.S. PATENT DOCUMENTS

4,941,841	A *	7/1990	Darden et al.	361/679.39
D404,383	S *	1/1999	Chang	D14/367
5,898,660	A *	4/1999	Serizawa	720/738
D455,422	S *	4/2002	Bath	D14/301
D458,924	S *	6/2002	Tsuyuki et al.	D14/367
D461,807	S *	8/2002	Kuehn et al.	D14/367
D497,164	S *	10/2004	Wang	D14/366

D529,915	S *	10/2006	Scicluna et al.	D14/439
D576,163	S *	9/2008	Sasaki	D14/363
2004/0130861	A1 *	7/2004	Beall et al.	361/682

* cited by examiner

Primary Examiner — Freda S Nunn

(57) **CLAIM**

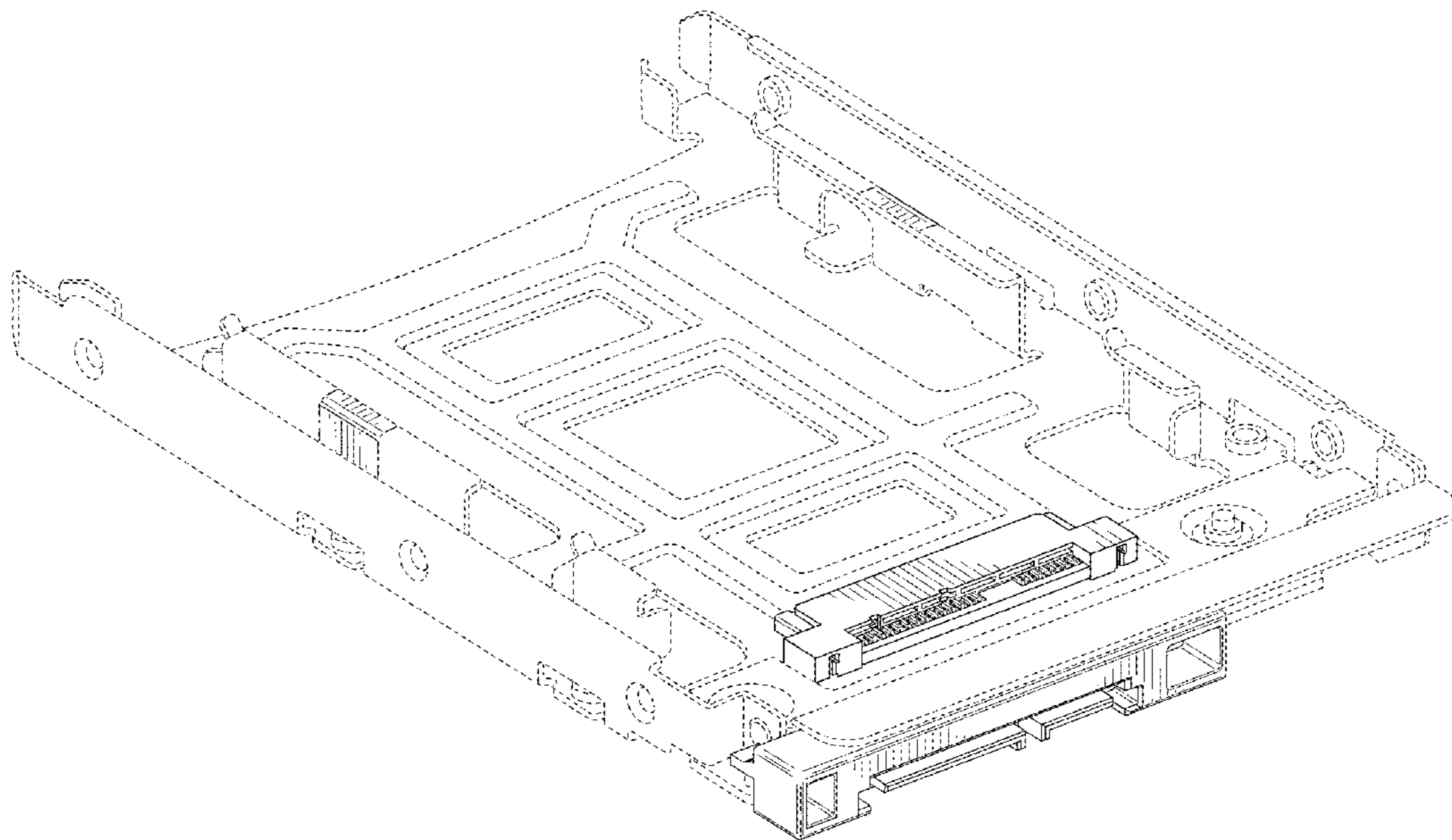
I claim the ornamental design for a hard drive adapter, as shown and described.

DESCRIPTION

FIG. 1 is a top perspective view of a hard drive adapter; FIG. 2 is a top plan view thereof; FIG. 3 is a bottom plan view thereof; FIG. 4 is a rear view thereof; FIG. 5 is a front view thereof; FIG. 6 is a left side view thereof; FIG. 7 is a right side view thereof; FIG. 8 is an exploded perspective view of an assembly including the hard drive adapter; FIG. 9 is a perspective view of the assembly including the hard drive adapter; and, FIG. 10 is a perspective view of the assembly including the hard drive adapter and a hard drive.

The dash-dash broken lines in the drawings are environmental lines which do not form part of the claimed design. The short dash-long dash lines are boundary lines which do not form part of the claimed design.

1 Claim, 8 Drawing Sheets



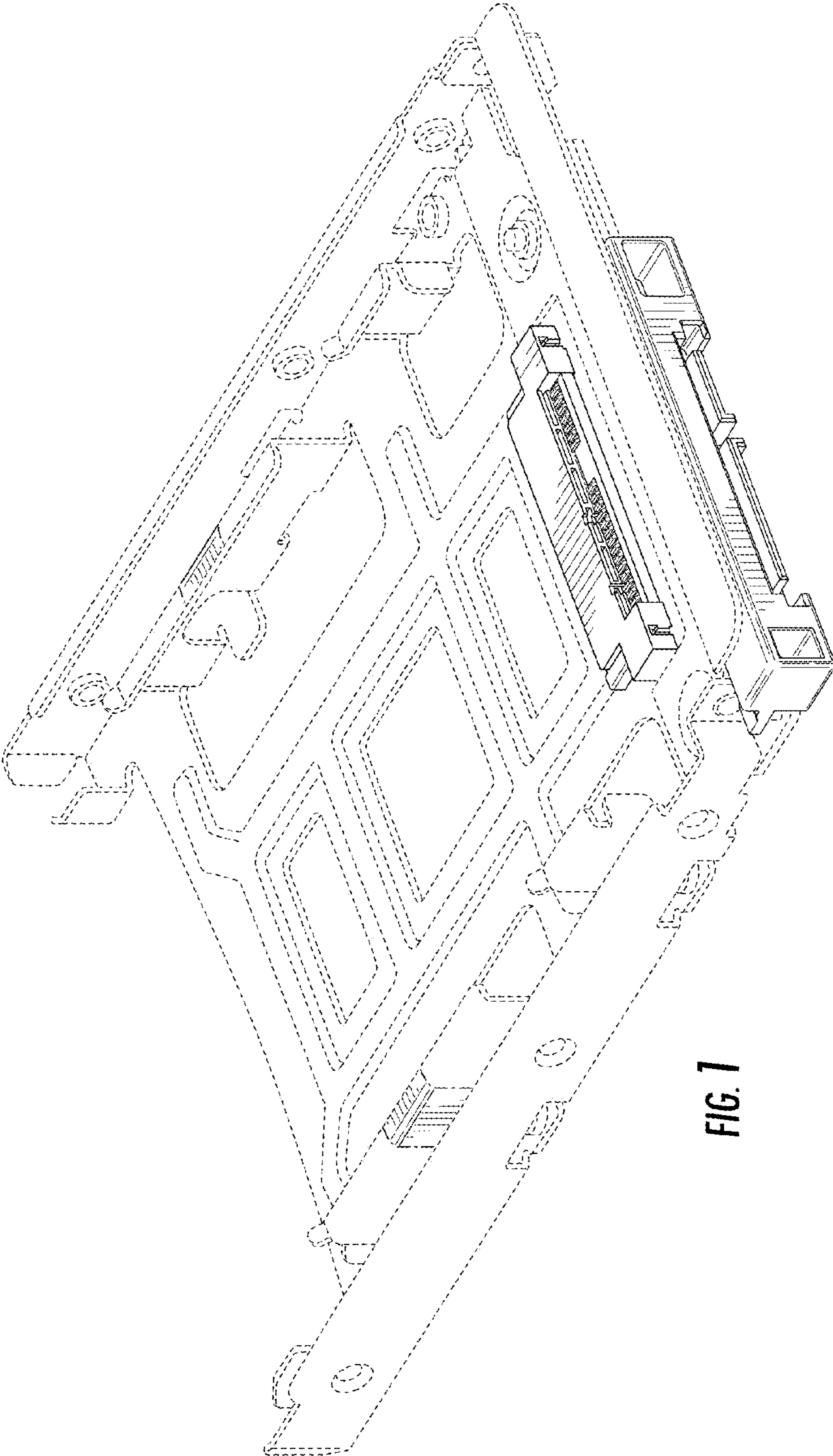


FIG. 1

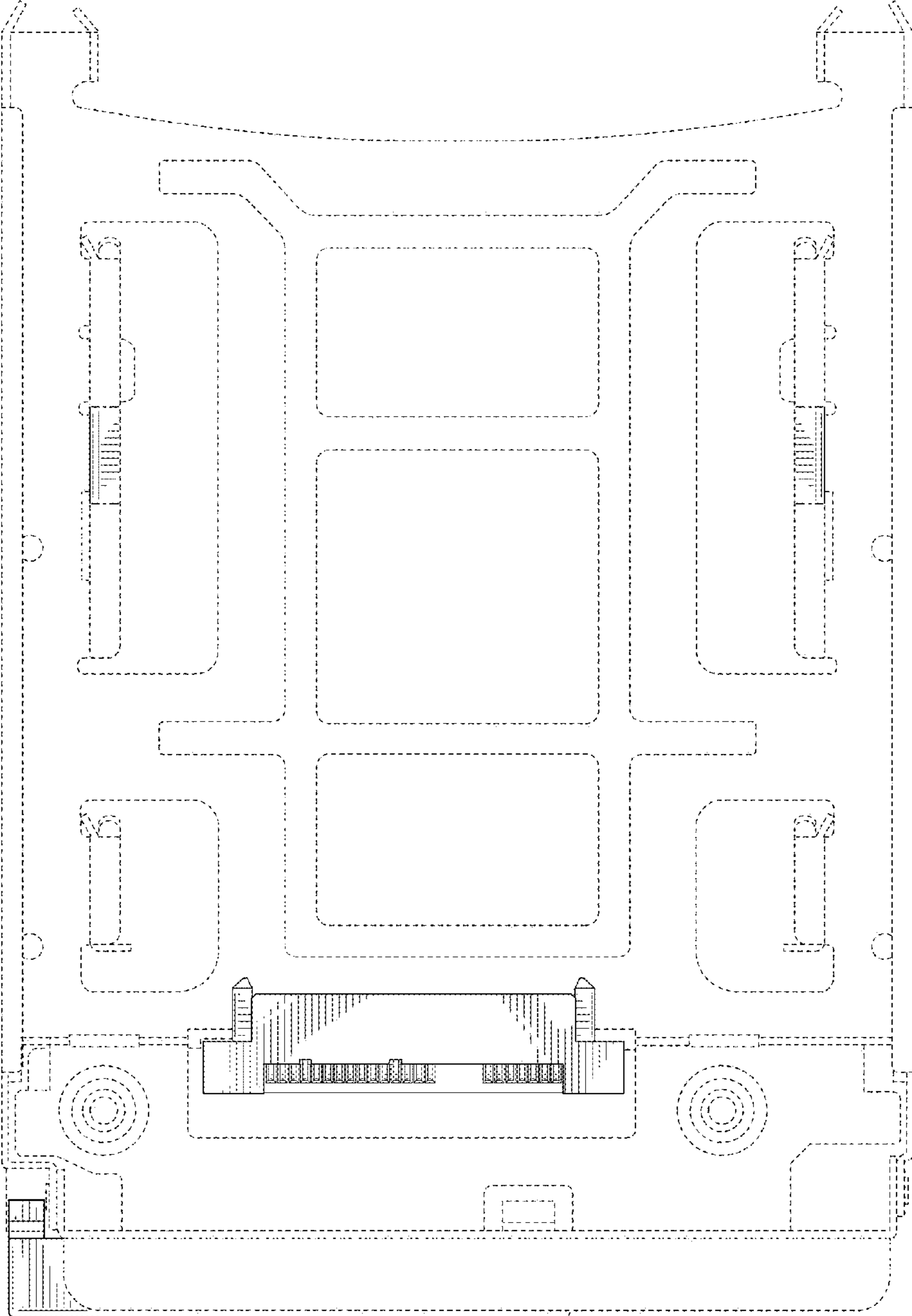


FIG. 2

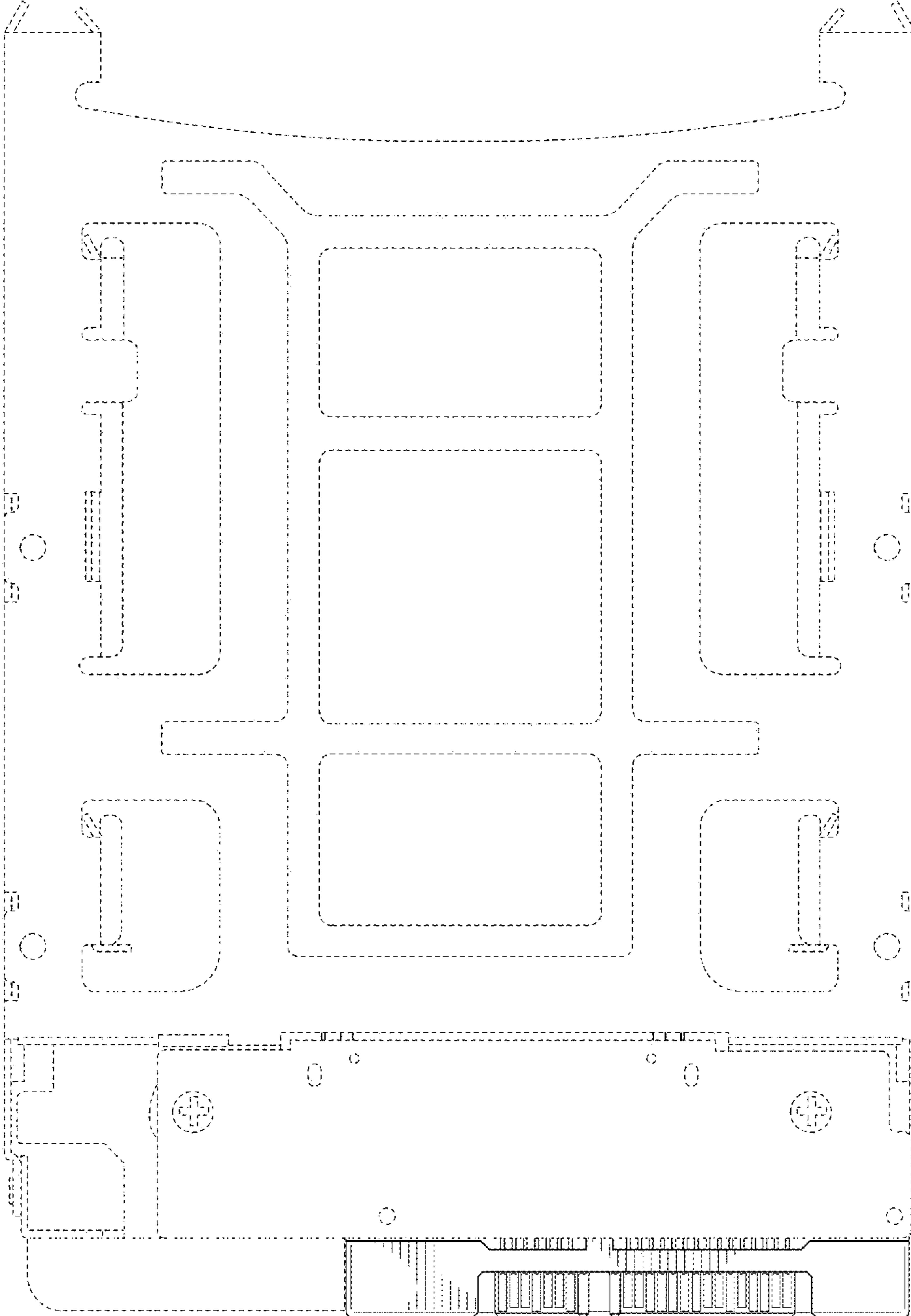


FIG. 3

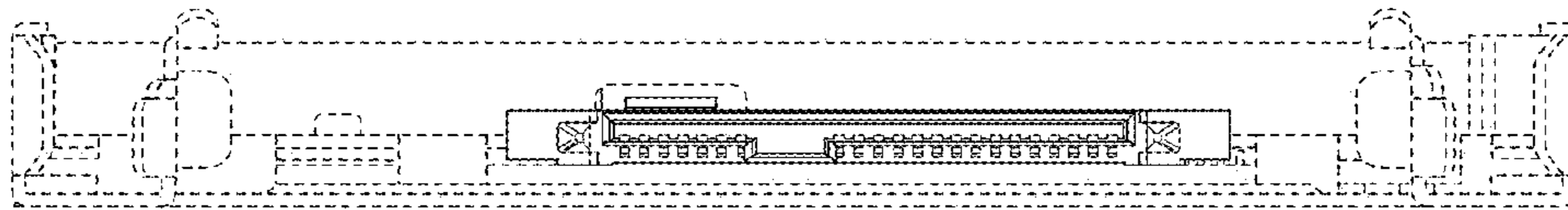


FIG. 4

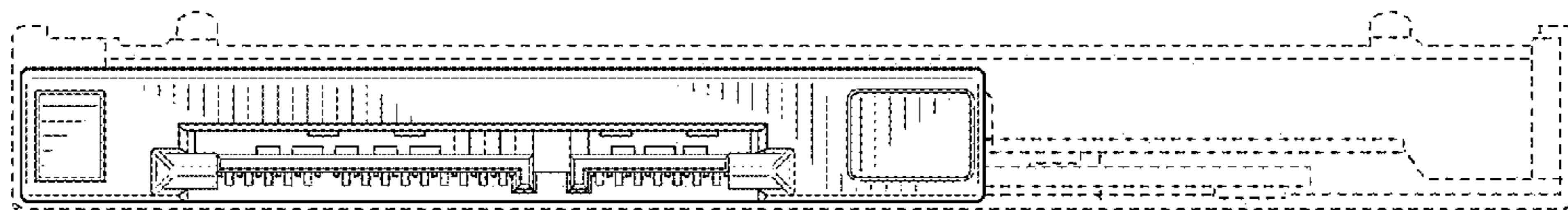


FIG. 5

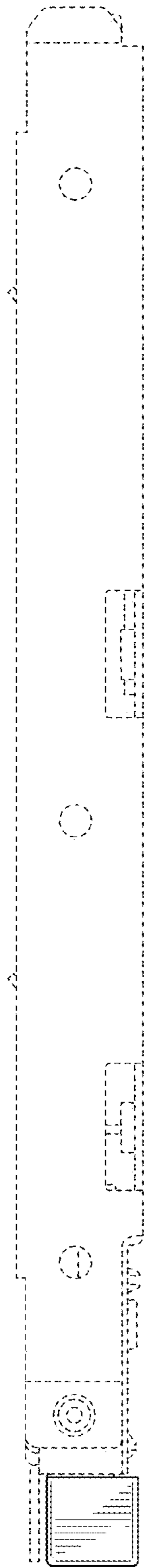


FIG. 6

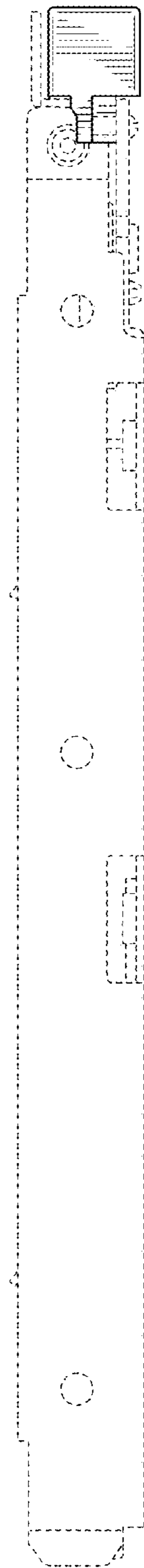


FIG. 7

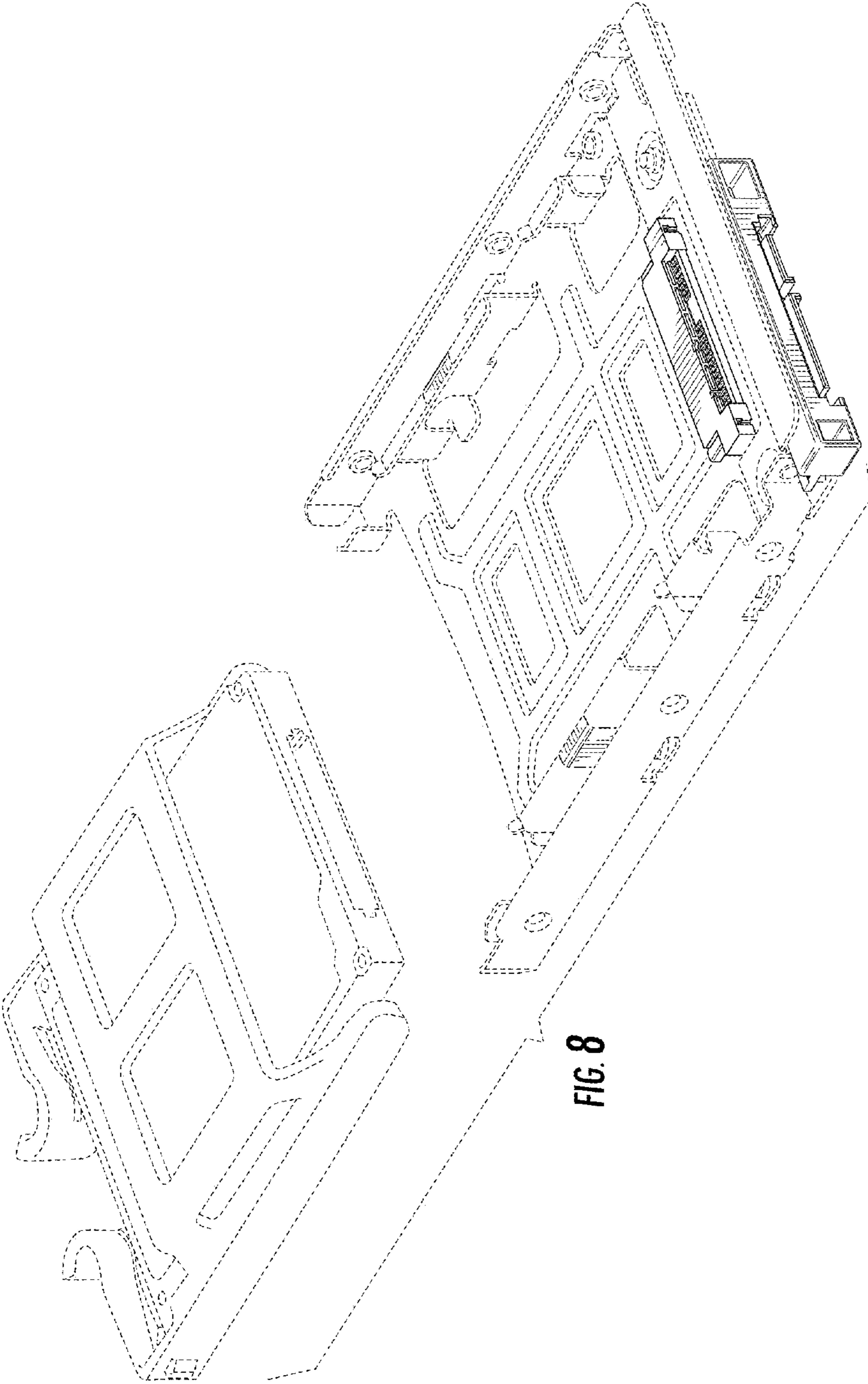


FIG. 8

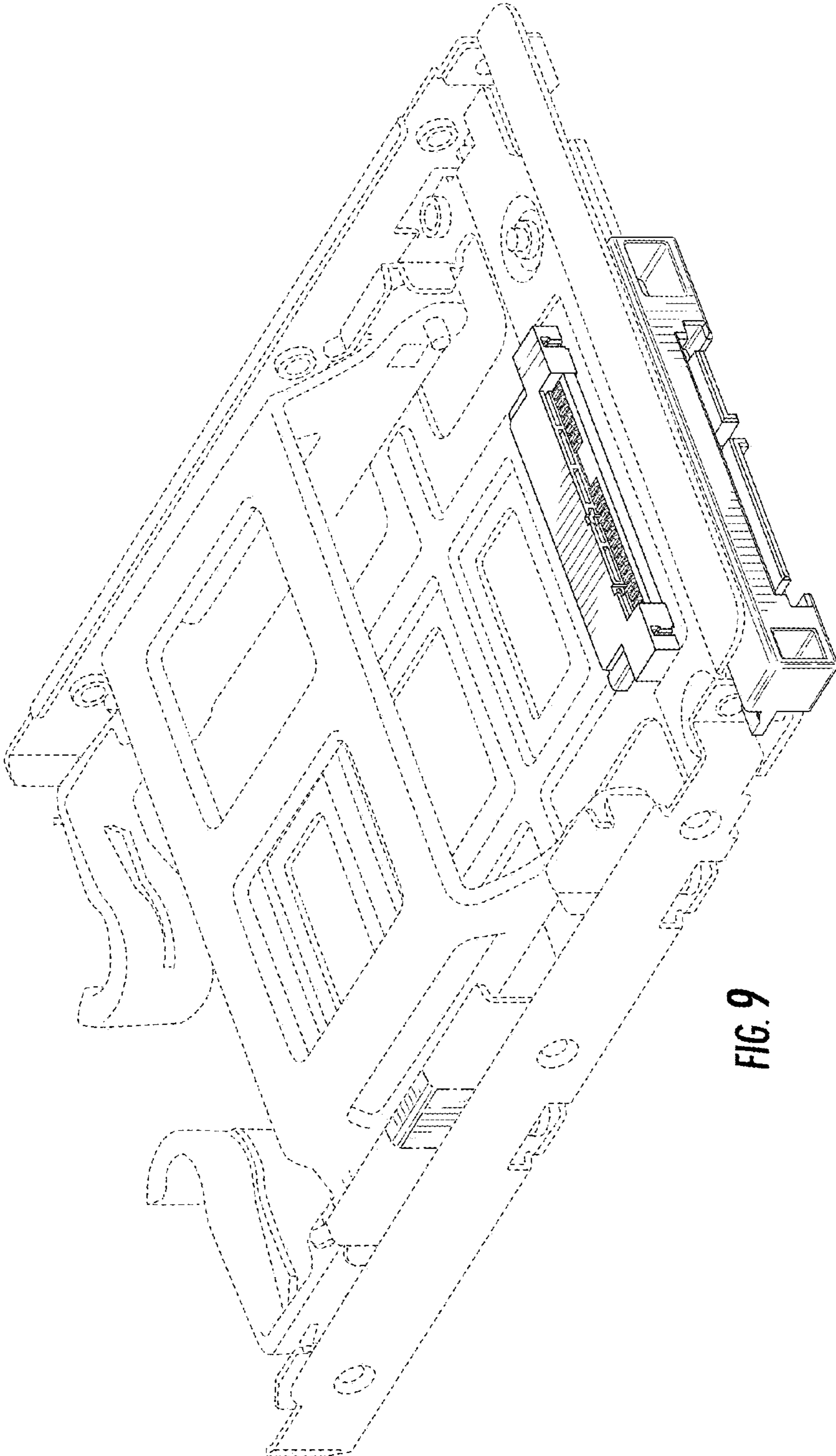


FIG. 9

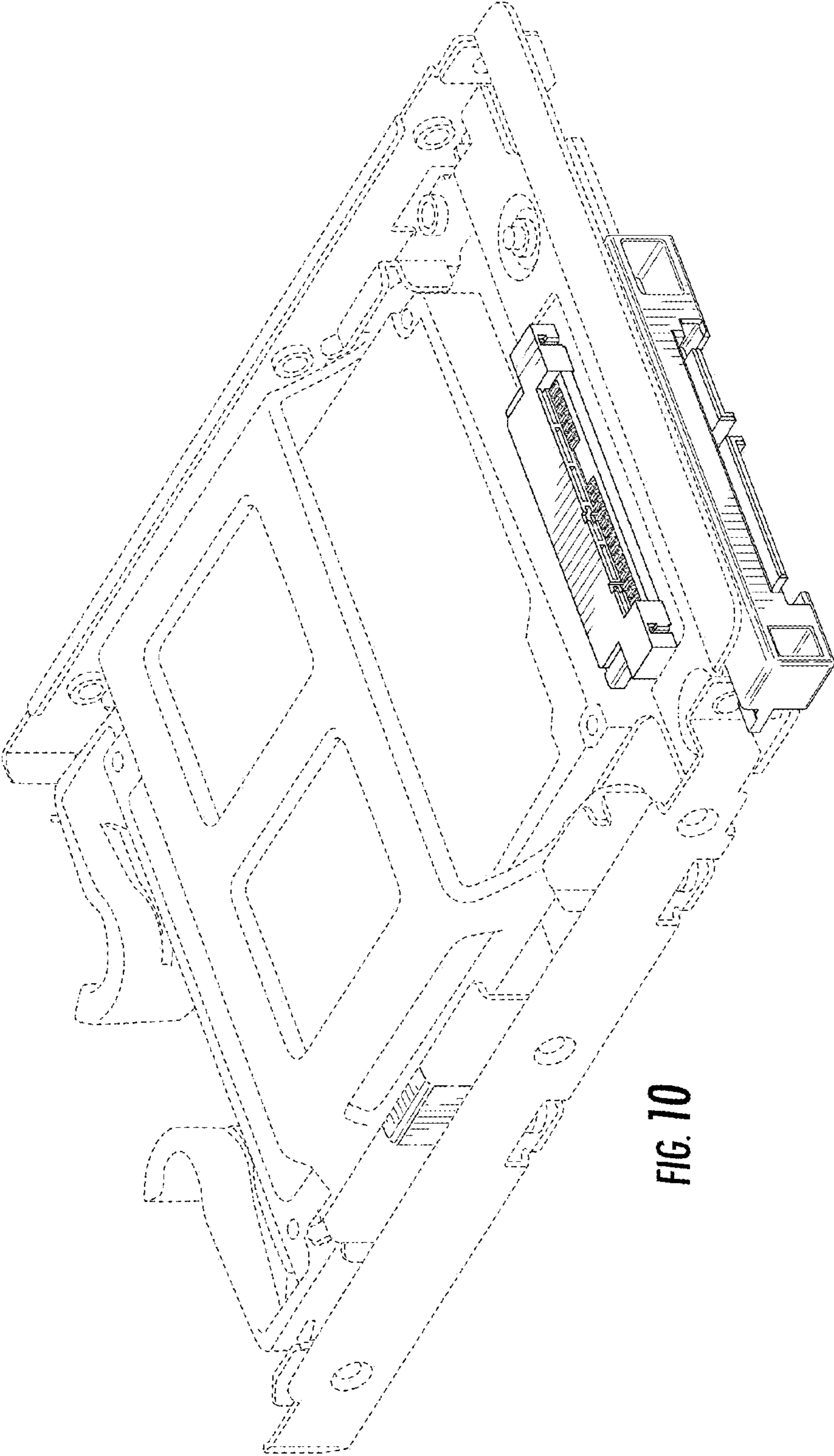


FIG. 10