



US00D688657S

(12) **United States Design Patent**
Hallar et al.

(10) **Patent No.:** **US D688,657 S**

(45) **Date of Patent:** **** Aug. 27, 2013**

(54) **INFORMATION HANDLING SYSTEM
HOUSING**

(75) Inventors: **James Hallar**, Austin, TX (US); **Jason Minehart**, Austin, TX (US); **Joshua Probst**, Austin, TX (US)

(73) Assignee: **Dell Products L.P.**, Round Rock, TX (US)

(**) Term: **14 Years**

(21) Appl. No.: **29/430,697**

(22) Filed: **Aug. 29, 2012**

(51) **LOC (9) Cl.** **14-02**

(52) **U.S. Cl.**
USPC **D14/300**

(58) **Field of Classification Search**
USPC D14/300, 308, 349-356; D13/162,
D13/184, 199; 312/223.1-223.3, 351.11;
360/99.01-99.12; 369/34.01-36.01;
361/679.31-679.33

See application file for complete search history.

(56) **References Cited**

U.S. PATENT DOCUMENTS

D438,202	S	*	2/2001	Hui	D14/348
6,480,398	B1	*	11/2002	Fiora et al.	361/816
D516,618	S	*	3/2006	Sato	D18/50
D518,041	S	*	3/2006	Sun	D14/302
D587,259	S	*	2/2009	Hamaguchi et al.	D14/300
D601,498	S	*	10/2009	Aglassinger	D13/107

* cited by examiner

Primary Examiner — Freda S Nunn

(74) *Attorney, Agent, or Firm* — Terrile, Cannatti, Chambers & Holland, LLP; Stephen A. Terrile

(57) **CLAIM**

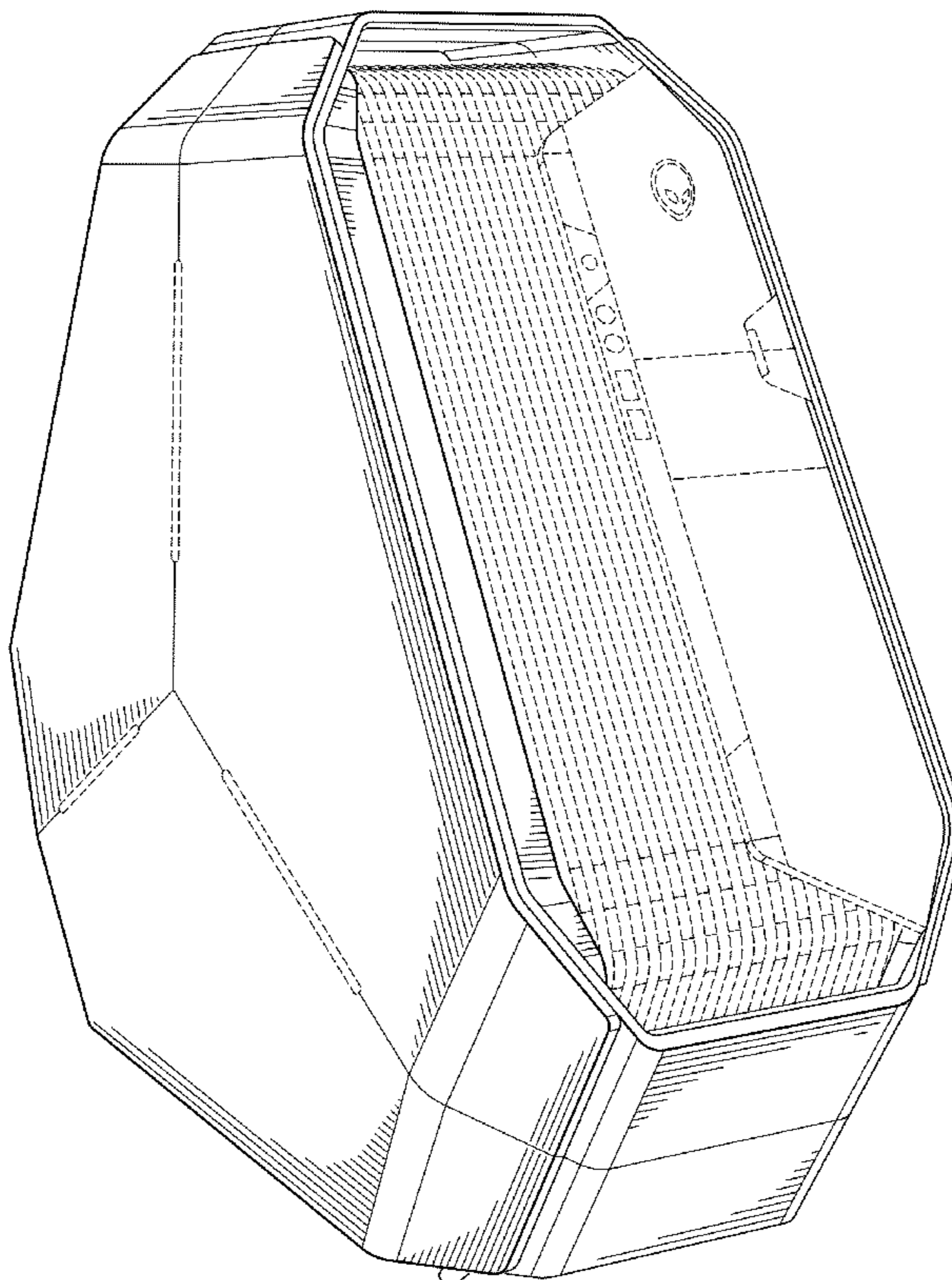
The ornamental design for an information handling system housing, as shown and described.

DESCRIPTION

FIG. 1 is a front perspective view of the information handling system comprising the present invention; FIG. 2 is a front view thereof; FIG. 3 is a right side view thereof; FIG. 4 is a left side view thereof; FIG. 5 is a back view thereof; and, FIG. 6 is a top view thereof.

Broken lines shown in the drawings illustrate portions of the information handling system housing, and form no part of the claimed design.

1 Claim, 6 Drawing Sheets



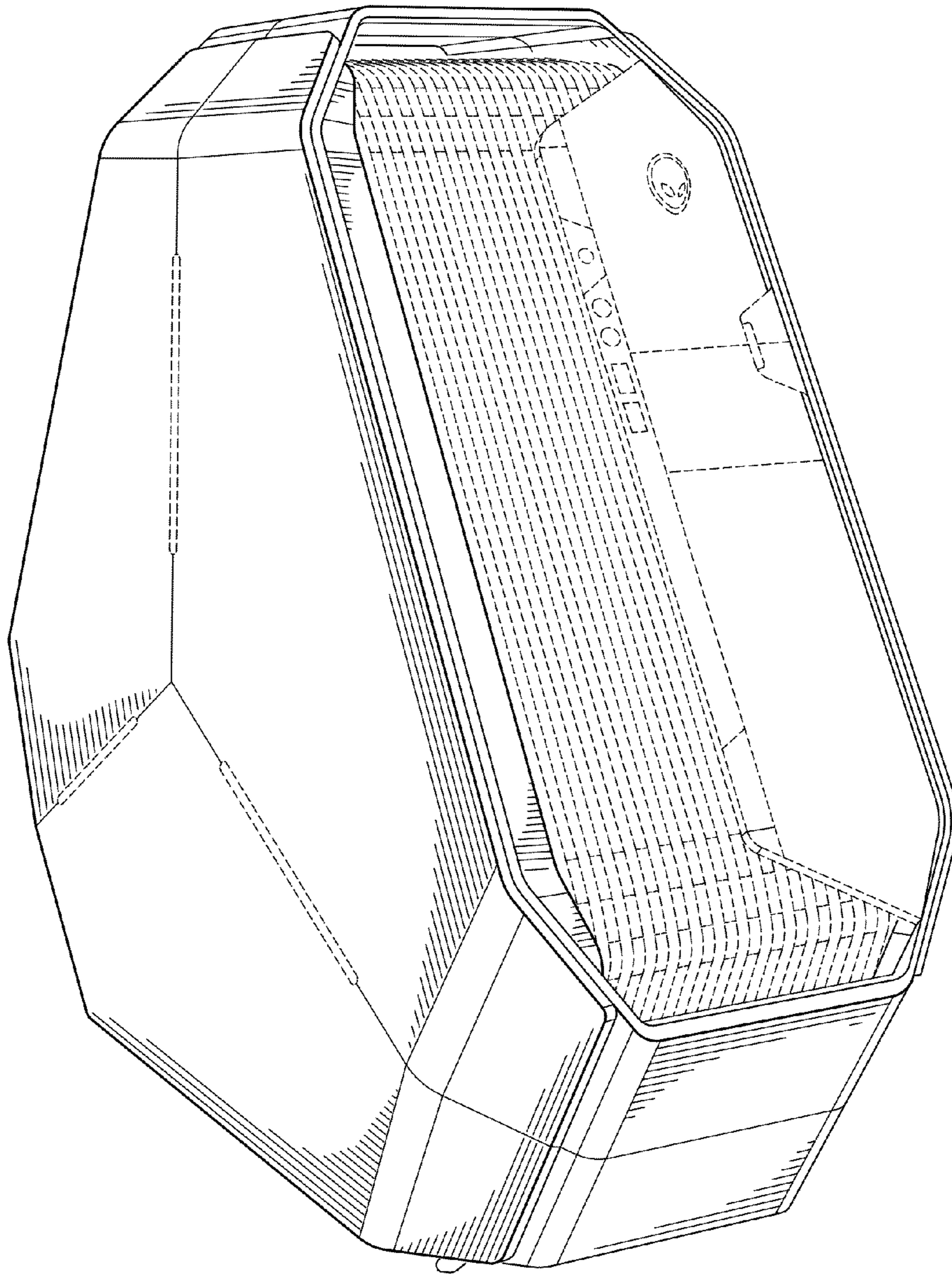


FIG. 1

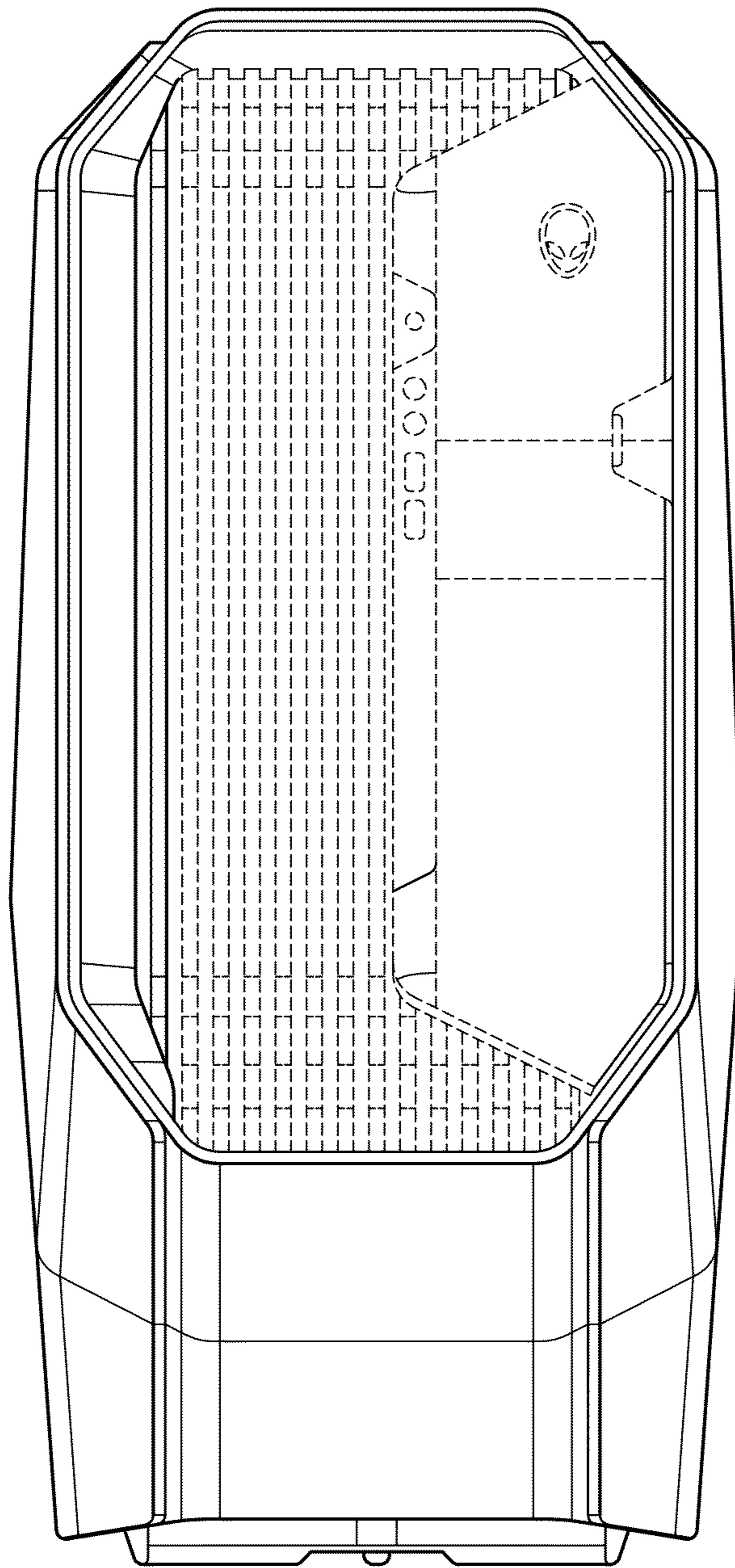


FIG. 2

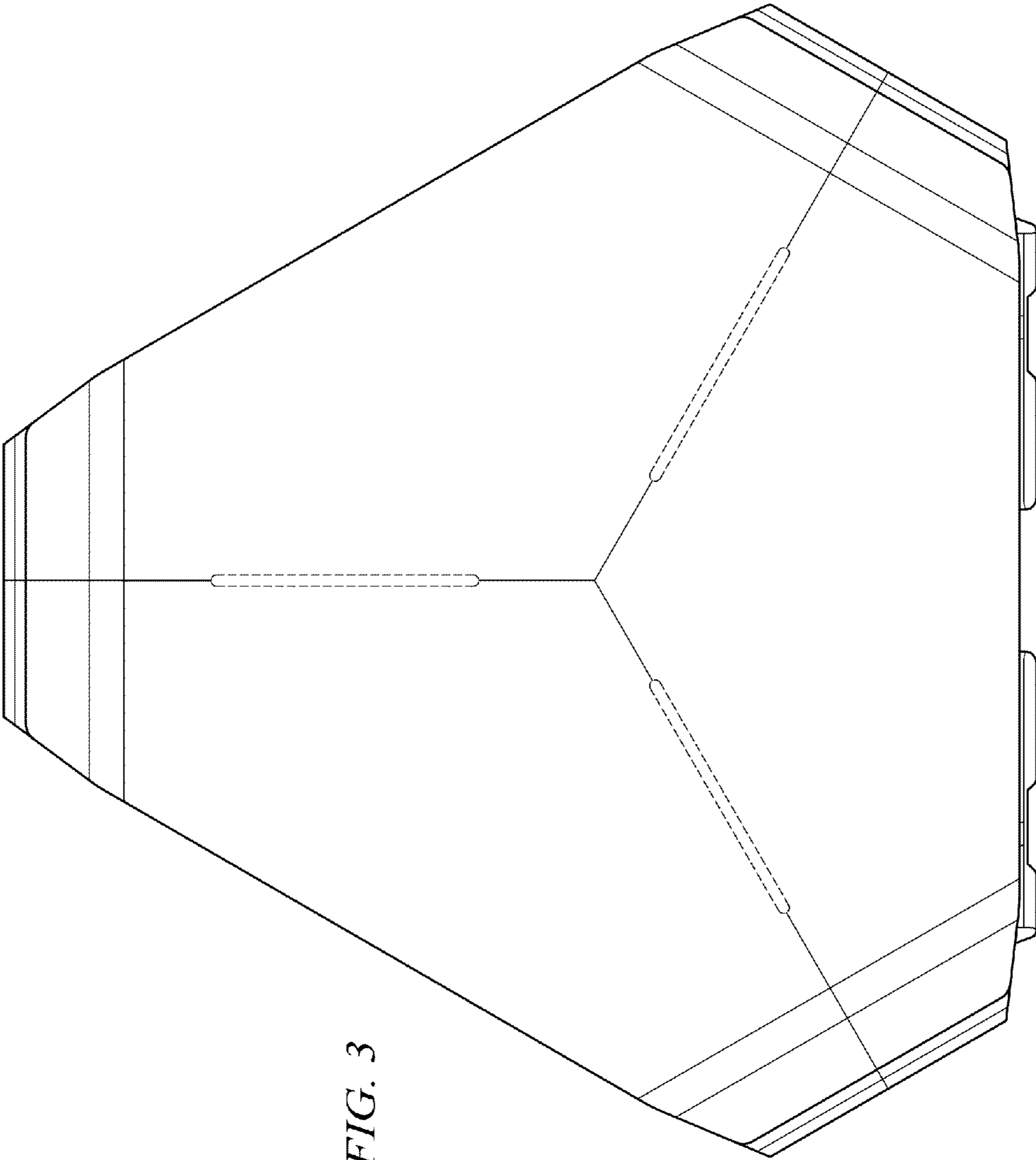


FIG. 3

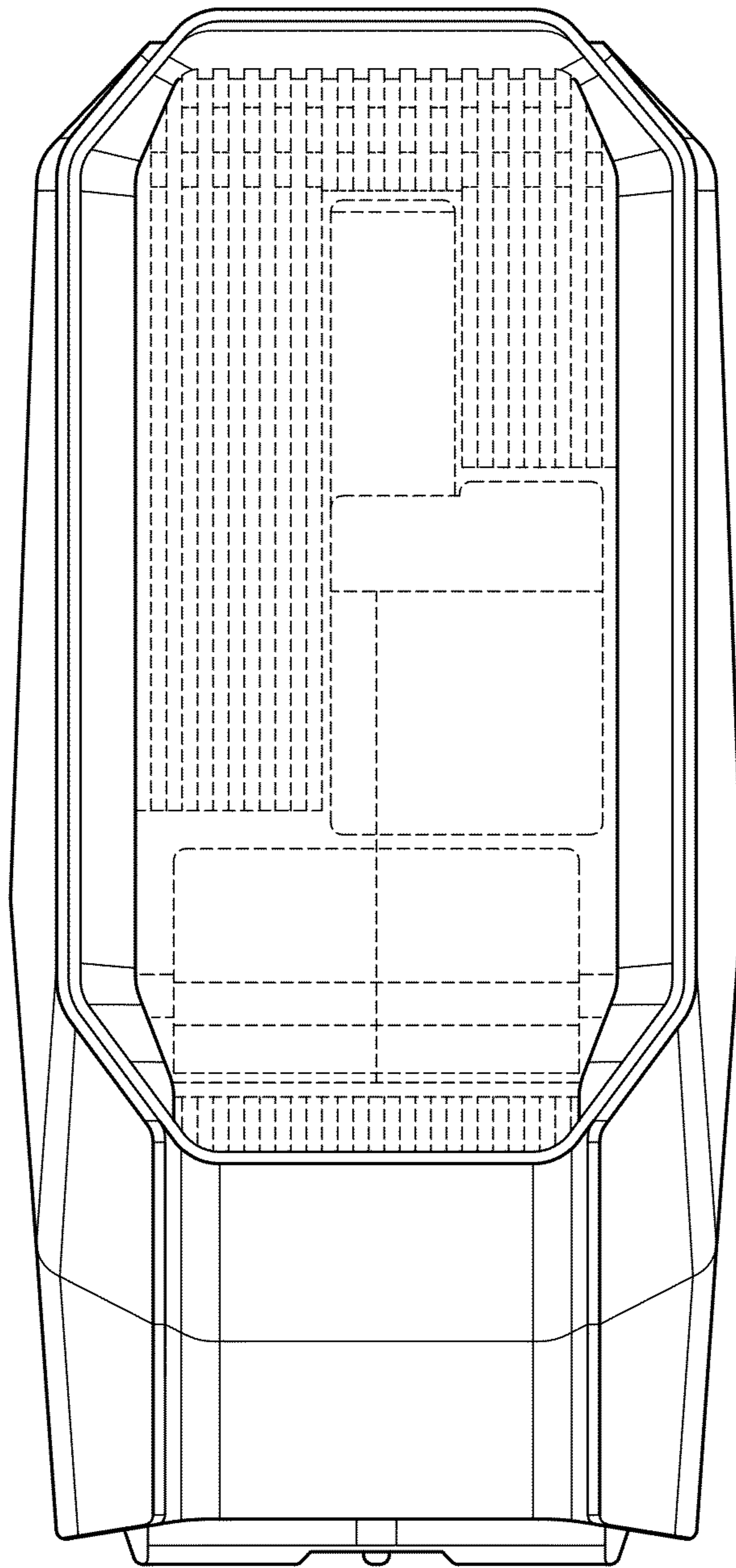


FIG. 4

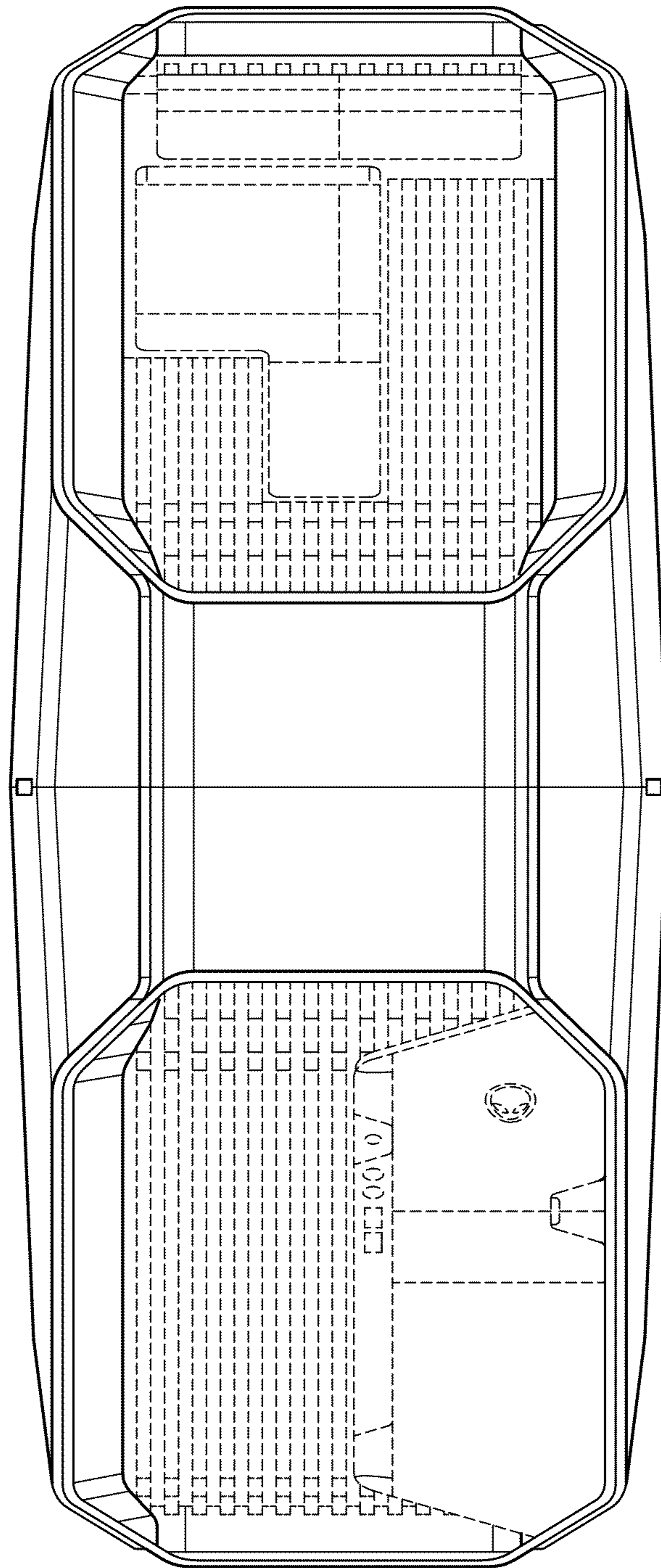


FIG. 5

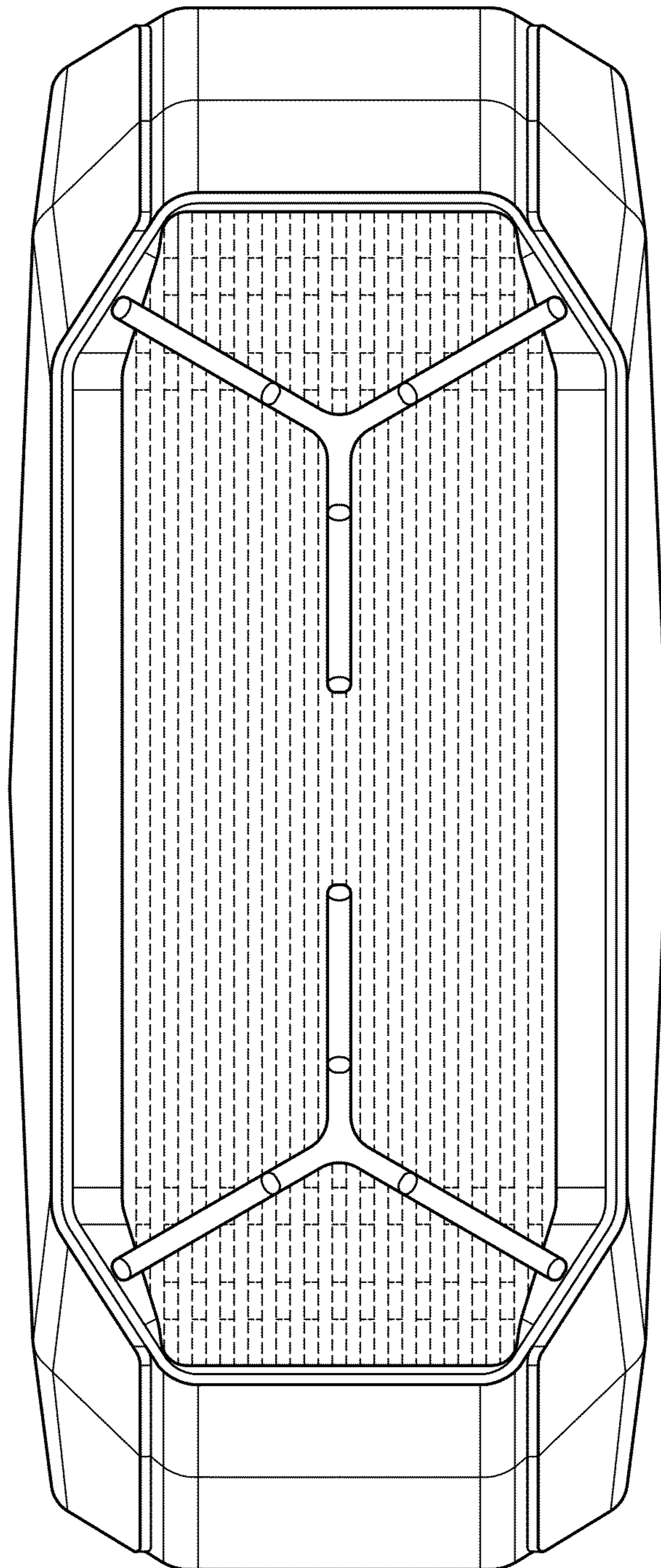


FIG. 6

UNITED STATES PATENT AND TRADEMARK OFFICE
CERTIFICATE OF CORRECTION

PATENT NO. : D688,657 S
APPLICATION NO. : 29/430697
DATED : August 27, 2013
INVENTOR(S) : James Hallar, Jason Minehart and Joshua Probst

Page 1 of 1

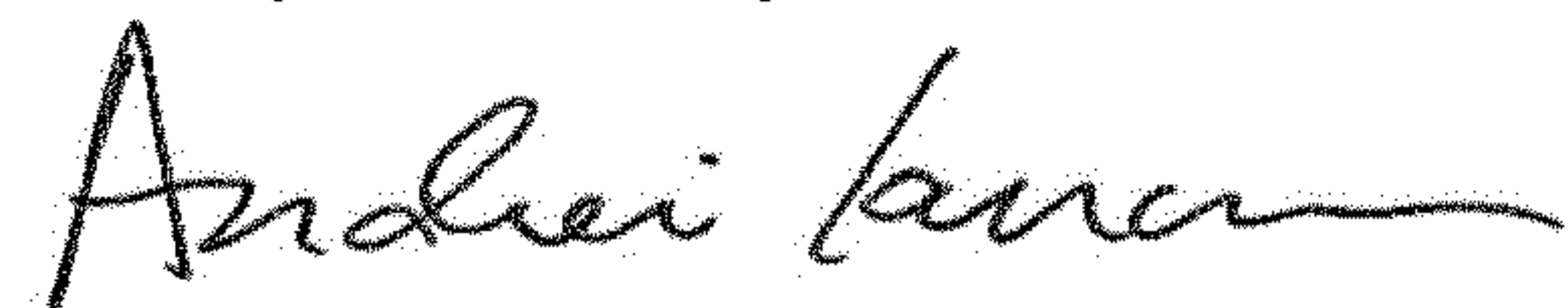
It is certified that error appears in the above-identified patent and that said Letters Patent is hereby corrected as shown below:

On the Title Page

Column 2 in the Description Lines 5-7 should read:

Figure 4 is a rear view thereof;
Figure 5 is a top view thereof; and,
Figure 6 is a bottom view thereof.

Signed and Sealed this
Twenty-third Day of October, 2018



Andrei Iancu
Director of the United States Patent and Trademark Office