



US00D688656S

(12) **United States Design Patent**
Avrahami

(10) **Patent No.:** **US D688,656 S**

(45) **Date of Patent:** **** Aug. 27, 2013**

(54) **FLEXIBLE CELLULAR PHONE HOLDER**

(71) Applicant: **Lior Avrahami**, Eilat (IL)

(72) Inventor: **Lior Avrahami**, Eilat (IL)

(**) Term: **14 Years**

(21) Appl. No.: **29/445,610**

(22) Filed: **Feb. 13, 2013**

(51) **LOC (9) Cl.** **14-03**

(52) **U.S. Cl.**
USPC **D14/253**

(58) **Field of Classification Search**
USPC D14/140, 140.8, 142, 243–256, 434,
D14/447; D3/215, 218; D2/861; D6/300,
D6/310, 467, 553–574; 292/342, 343; D19/90
See application file for complete search history.

(56) **References Cited**

U.S. PATENT DOCUMENTS

D394,772 S *	6/1998	Tungol et al.	D6/534
D419,309 S *	1/2000	Leon	D6/305
D437,123 S *	2/2001	Leon	D6/305
D482,556 S *	11/2003	Huang	D6/534
D542,436 S *	5/2007	Chang	D26/21
D596,013 S *	7/2009	Simmons	D8/356
D608,356 S *	1/2010	Peyridieu	D14/253
D613,055 S *	4/2010	Lui	D3/215

D620,319 S *	7/2010	Alexander et al.	D7/619.2
D669,462 S *	10/2012	Avrahami et al.	D14/253
D669,527 S *	10/2012	Hammer et al.	D19/34.5
D670,691 S *	11/2012	Novak	D14/253
D671,602 S *	11/2012	Bradford	D21/621

* cited by examiner

Primary Examiner — George D Kirschbaum

Assistant Examiner — Janice Hallmark

(57) **CLAIM**

The ornamental design for a flexible cellular phone holder design, substantially as shown and described.

DESCRIPTION

FIG. 1 is a perspective view of the flexible cellular phone holder;

FIG. 2 is a front elevation view of the flexible cellular phone holder;

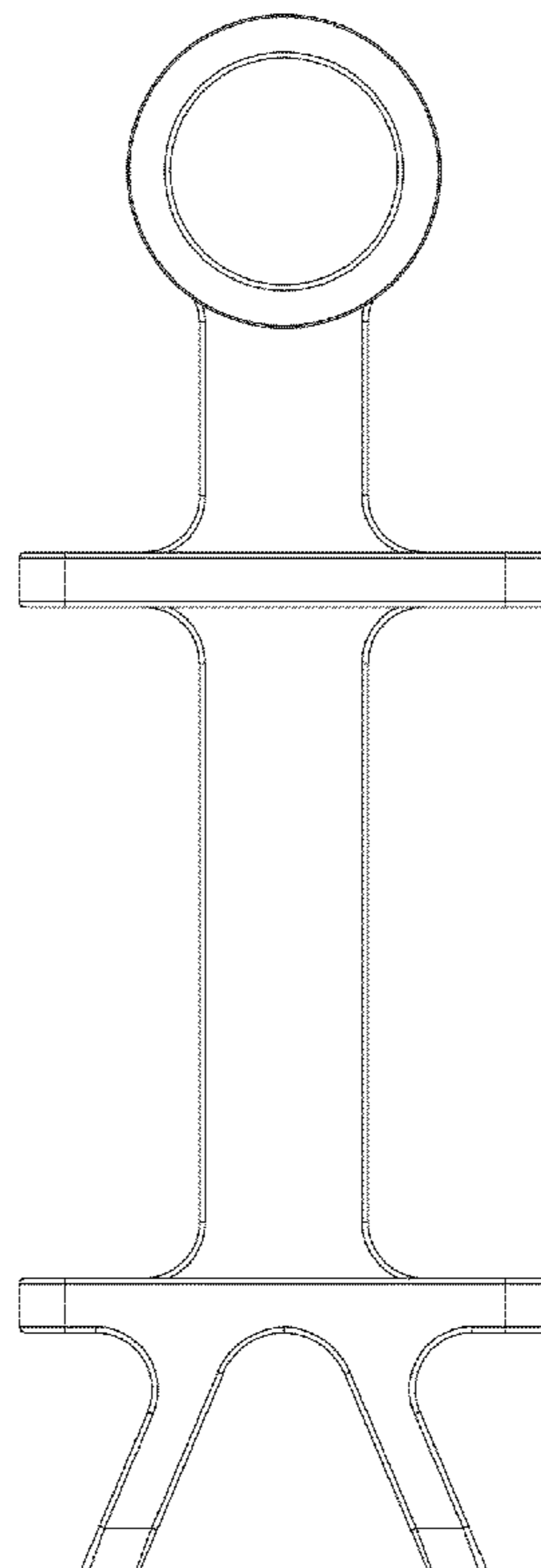
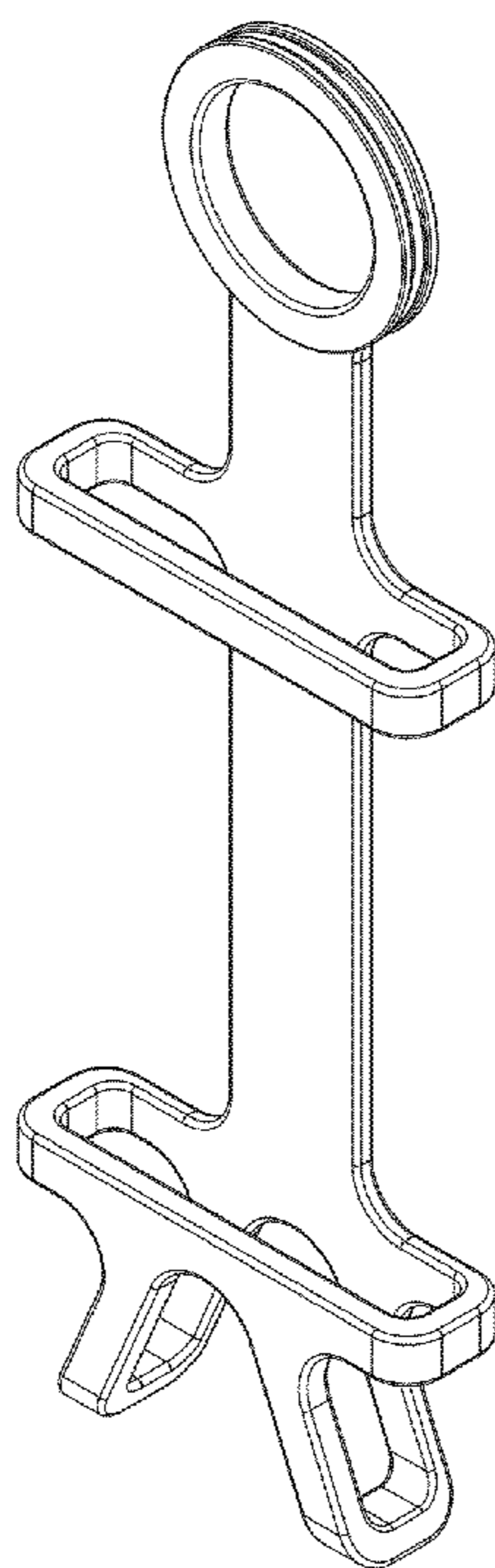
FIG. 3 is a rear elevation view of the flexible cellular phone holder;

FIG. 4 is a bottom plan view of the flexible cellular phone holder;

FIG. 5 is a top plan view of the flexible cellular phone holder;

and,
FIG. 6 is a side elevation view of the flexible cellular phone holder.

1 Claim, 6 Drawing Sheets



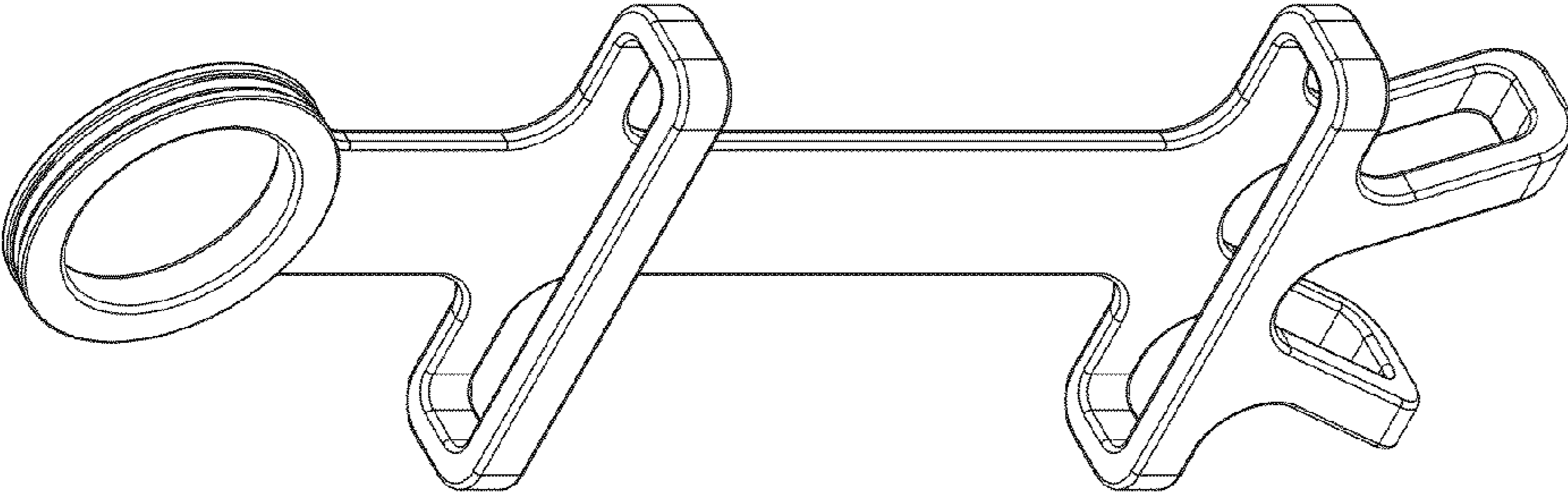


Fig. 1

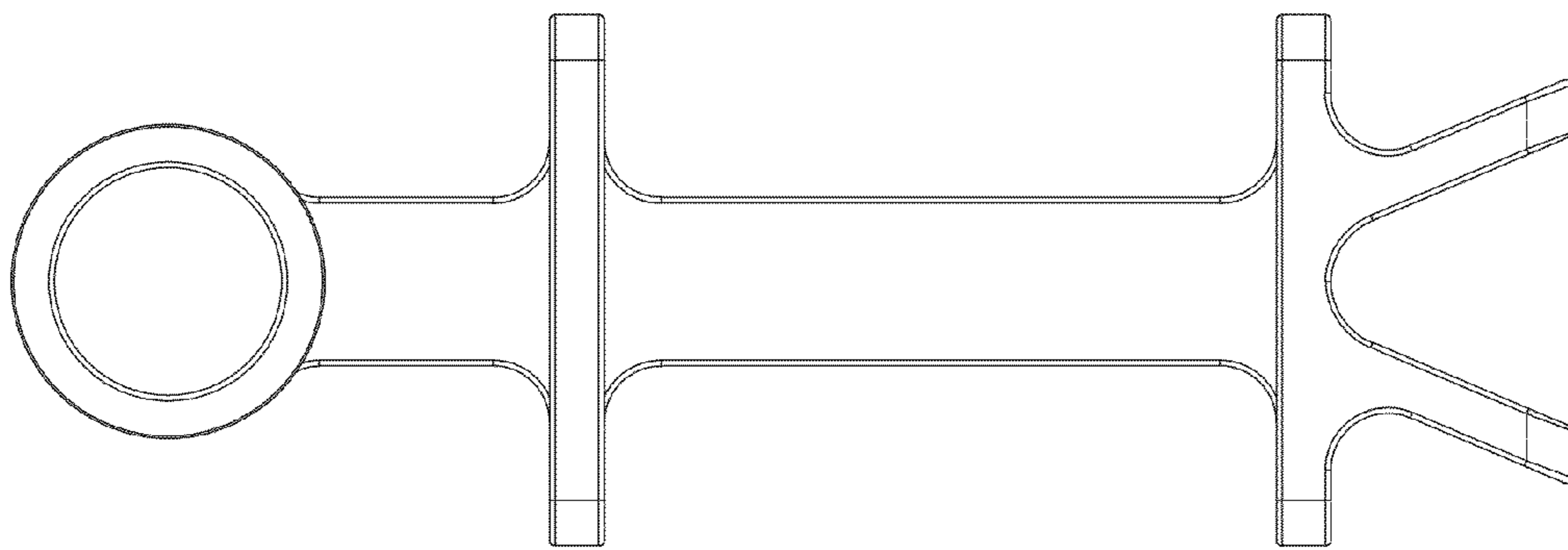


Fig. 2

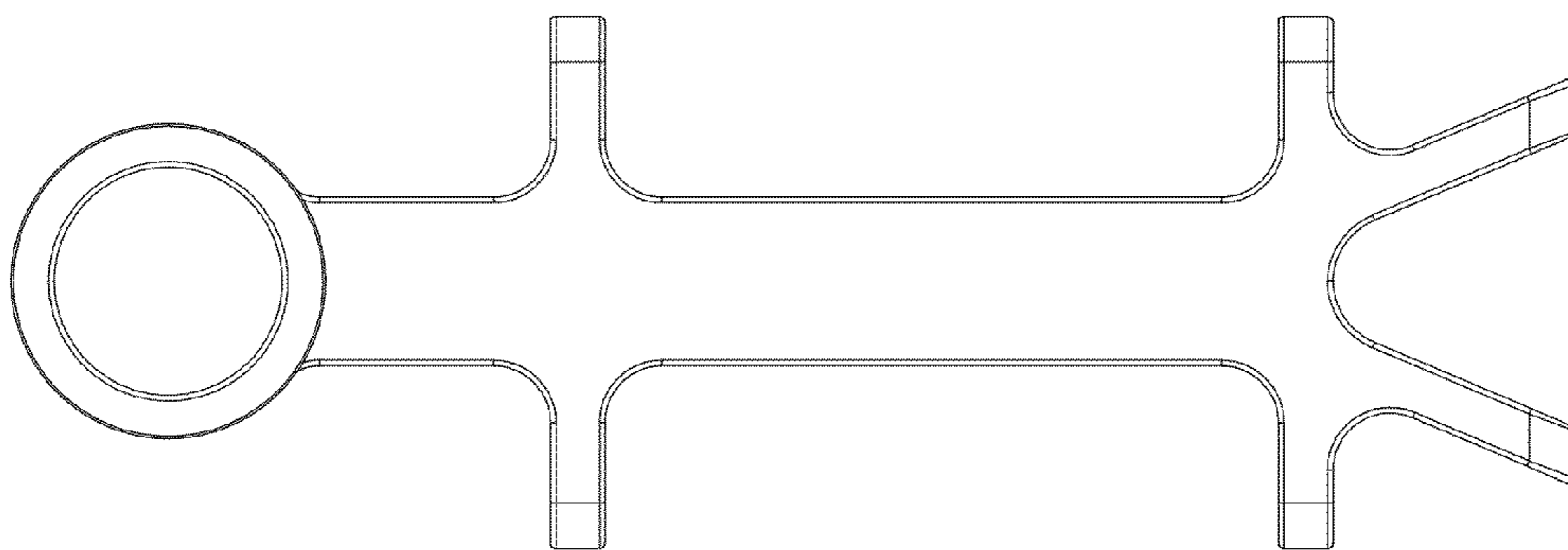


Fig. 3

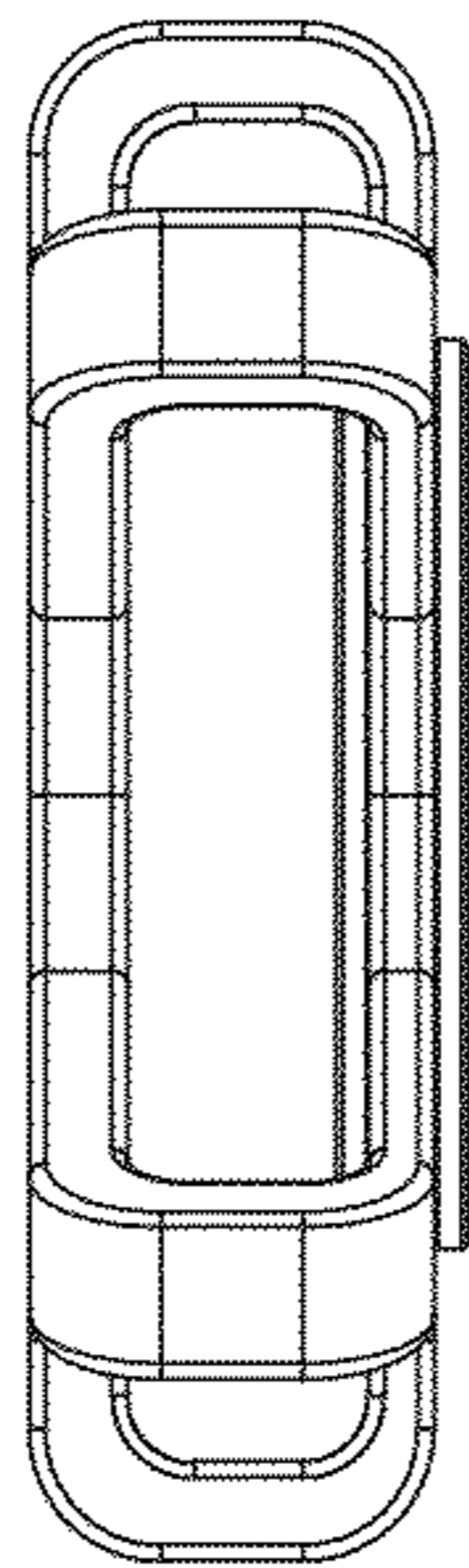


Fig. 4

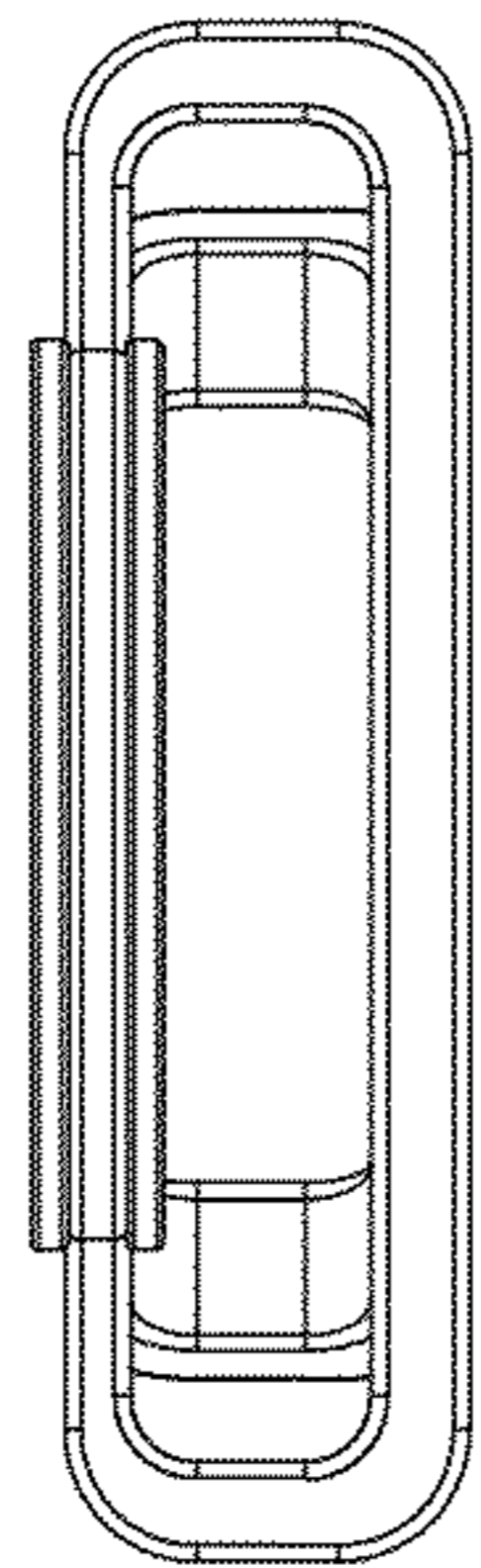


Fig. 5

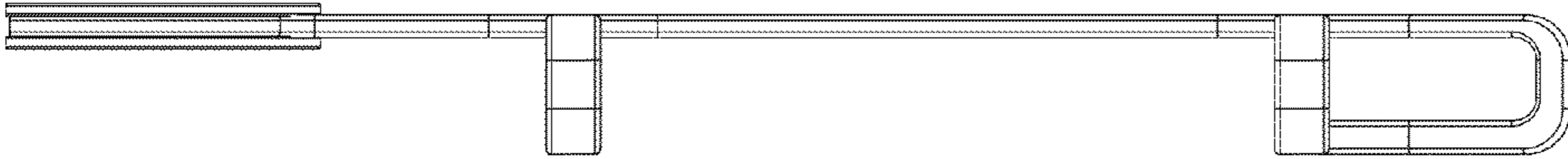


Fig. 6