



US00D688655S

(12) **United States Design Patent**
Rey-Hipolito et al.

(10) **Patent No.:** **US D688,655 S**
(45) **Date of Patent:** **** Aug. 27, 2013**

(54) **PHONE CASE WITH WALLET ACCESSORY**

(71) Applicants: **Vanesa Rey-Hipolito**, Los Angeles, CA
(US); **Steven O'Dell**, Los Angeles, CA
(US)

(72) Inventors: **Vanesa Rey-Hipolito**, Los Angeles, CA
(US); **Steven O'Dell**, Los Angeles, CA
(US)

(**) Term: **14 Years**

(21) Appl. No.: **29/449,914**

(22) Filed: **Mar. 15, 2013**

(51) **LOC (9) Cl.** **14-03**

(52) **U.S. Cl.**
USPC **D14/250**

(58) **Field of Classification Search**
USPC D14/250, 440, 238.1, 251-253, 203.3-203.7,
D14/217, 496, 248, 240, 447, 341-347, 444;
D13/103, 107-108, 119; D3/201, 218, 247,
D3/269, 273, 301, 303; 248/309.1, 371,
248/176.3, 668; 361/679.56, 679.3, 679.25,
361/816; 379/426, 433.11, 455; 455/575.1,
455/575.8; 206/305, 320; 320/108, 115;
429/96; 220/4.02

See application file for complete search history.

(56) **References Cited**

U.S. PATENT DOCUMENTS

D414,925 S *	10/1999	Holland	D3/218
D485,834 S *	1/2004	Davetas	D14/250
D517,803 S *	3/2006	Brown	D3/247
D593,750 S *	6/2009	Song	D3/269
D603,603 S *	11/2009	Laine et al.	D3/218
D614,179 S *	4/2010	Behar et al.	D14/248
D615,078 S *	5/2010	Bradley	D14/250
D619,130 S *	7/2010	Fellig	D14/250
D624,064 S *	9/2010	Esposito	D14/250
D631,246 S *	1/2011	Boettner	D3/218
D649,539 S *	11/2011	Hong	D14/250
D651,791 S *	1/2012	Cataldo et al.	D3/218

D653,656 S *	2/2012	Charnas et al.	D14/250
D654,931 S *	2/2012	Lemelman et al.	D14/496
D667,823 S *	9/2012	Merenda	D14/250
D674,393 S *	1/2013	Behar et al.	D14/440
D675,604 S *	2/2013	Limber et al.	D14/250
D677,250 S *	3/2013	Takamoto	D14/250

(Continued)

OTHER PUBLICATIONS

Targus Wallet shown in CNET Review of Best iPhone 5 cases, published on Apr. 11, 2013, <URL:http://reviews.cnet.com/2300-19512_7-10013856-73.html>, retrieved from internet on May 4, 2013.*

(Continued)

Primary Examiner — Carla Jobe Wright

(74) *Attorney, Agent, or Firm* — Blakely, Sokoloff, Taylor & Zafman LLP

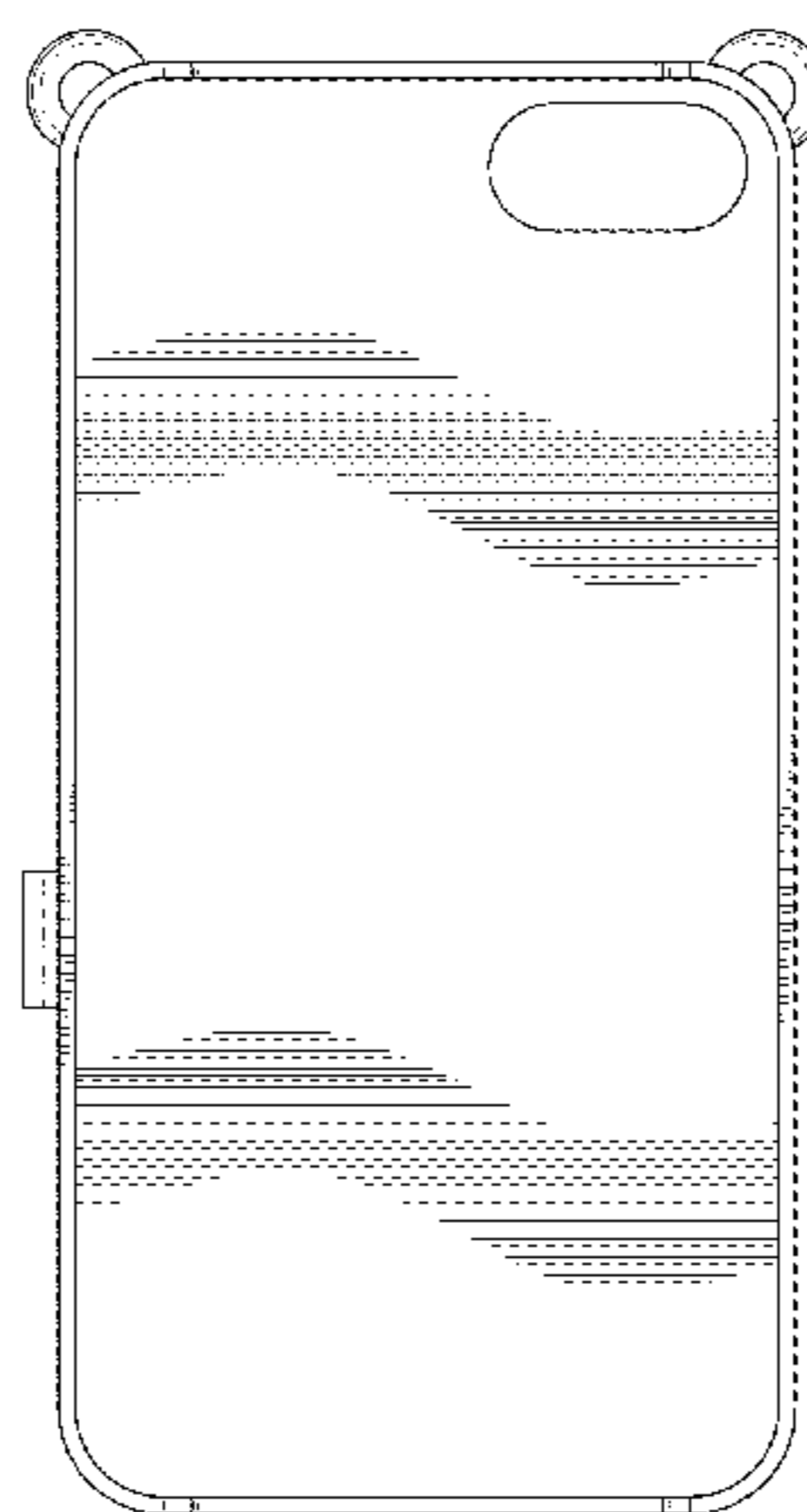
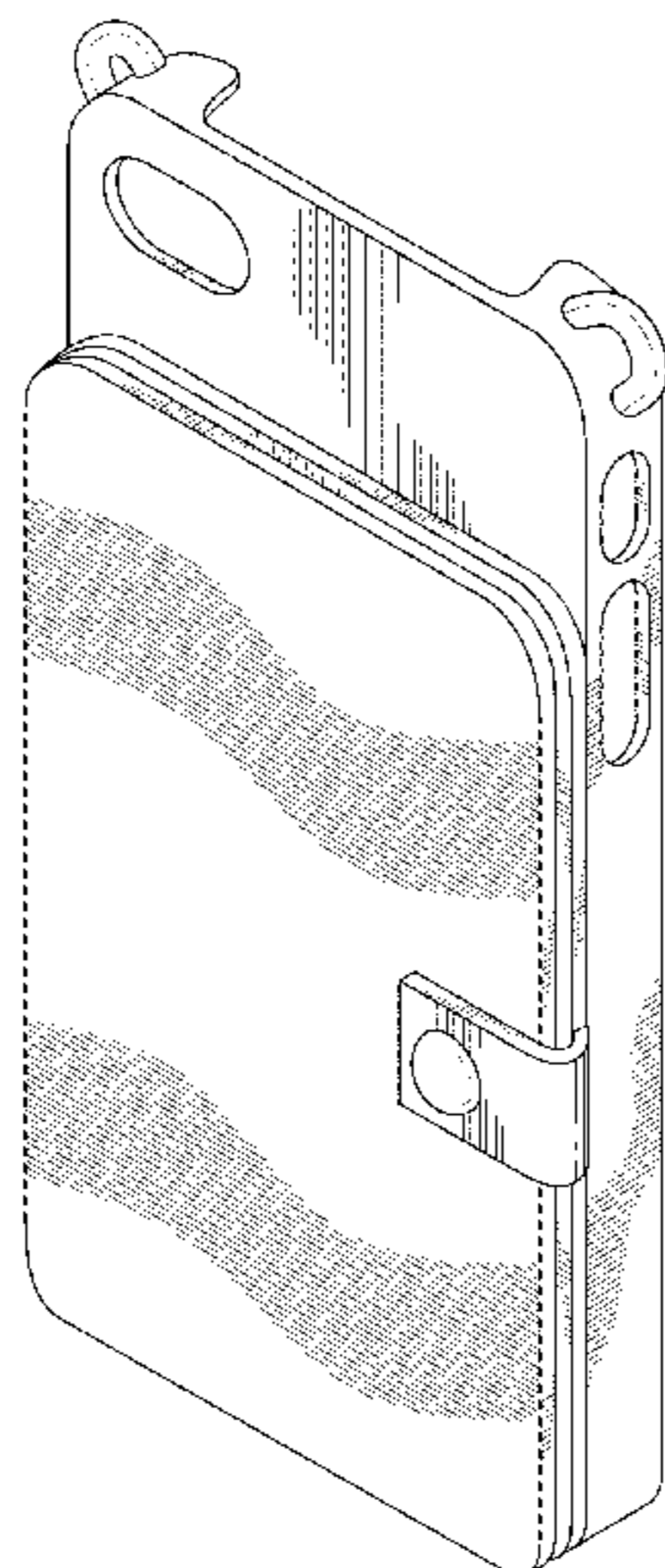
(57) **CLAIM**

We claim the ornamental design for a phone case with wallet accessory, substantially as shown and described.

DESCRIPTION

FIG. 1 is a front, left and top perspective view of a phone case with wallet accessory in accordance with the present design. FIG. 2 is a rear, right and top perspective view of the phone case with wallet accessory shown in FIG. 1. FIG. 3 is a front elevation view of the phone case with wallet accessory shown in FIG. 1. FIG. 4 is a right side elevation view of the phone case with wallet accessory shown in FIG. 1. FIG. 5 is a left side elevation view of the phone case with wallet accessory shown in FIG. 1. FIG. 6 is a rear elevation view of the phone case with wallet accessory shown in FIG. 1. FIG. 7 is a top plan view of the phone case with wallet accessory shown in FIG. 1; and, FIG. 8 is a bottom plan view of the phone case with wallet accessory shown in FIG. 1.

1 Claim, 6 Drawing Sheets



(56)

References Cited

U.S. PATENT DOCUMENTS

D678,871 S * 3/2013 Mishan et al. D14/250
D679,684 S * 4/2013 Baker et al. D14/250
D679,685 S * 4/2013 Cox D14/250
D679,694 S * 4/2013 Fahrendorff et al. D14/250
2009/0194444 A1 * 8/2009 Jones 206/320

OTHER PUBLICATIONS

iLounge Review of CM4 Q Card Case for iPhone 5, published on Dec. 14, 2012, <URL:<http://www.ilounge.com/index.php/reviews/entry/cm4-q-card-case-for-iphone-5/>>, retrieved from internet on May 4, 2013.*

* cited by examiner

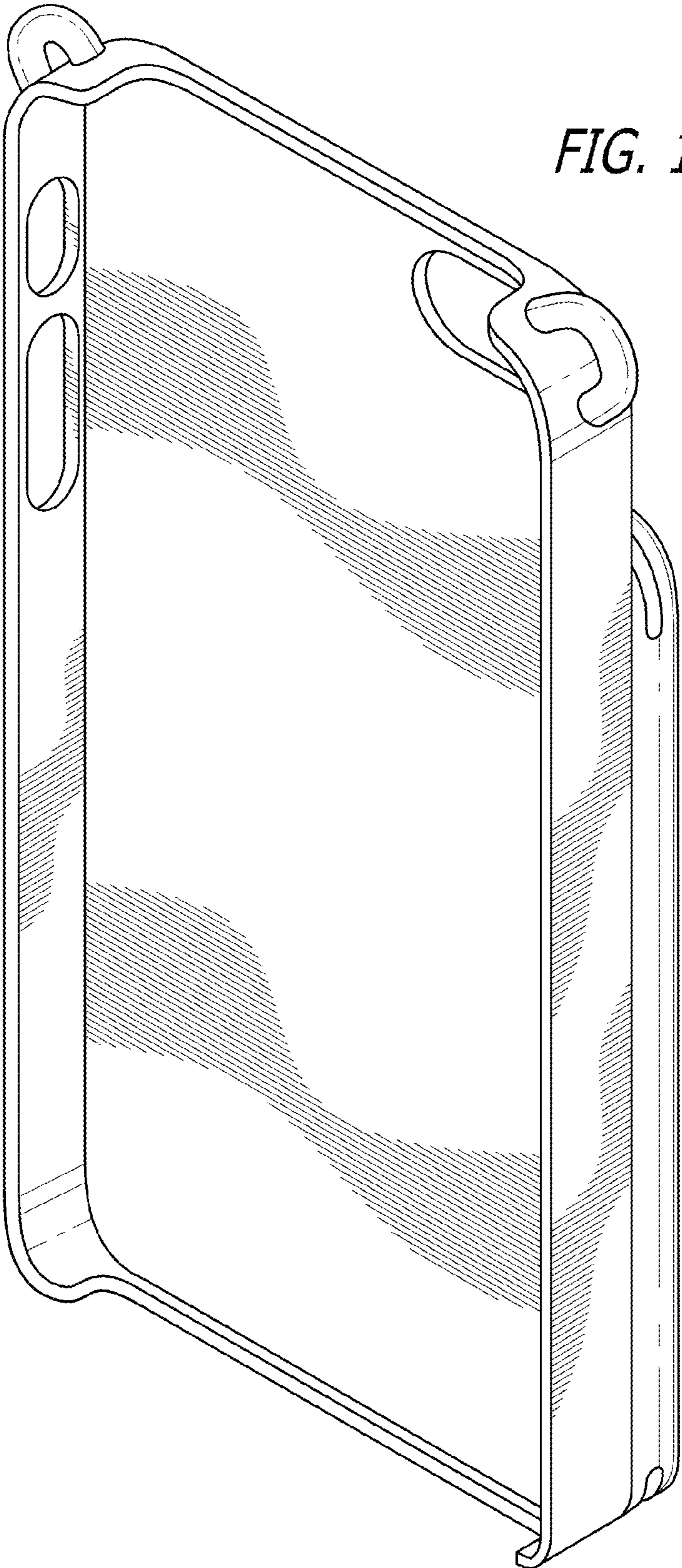


FIG. 1

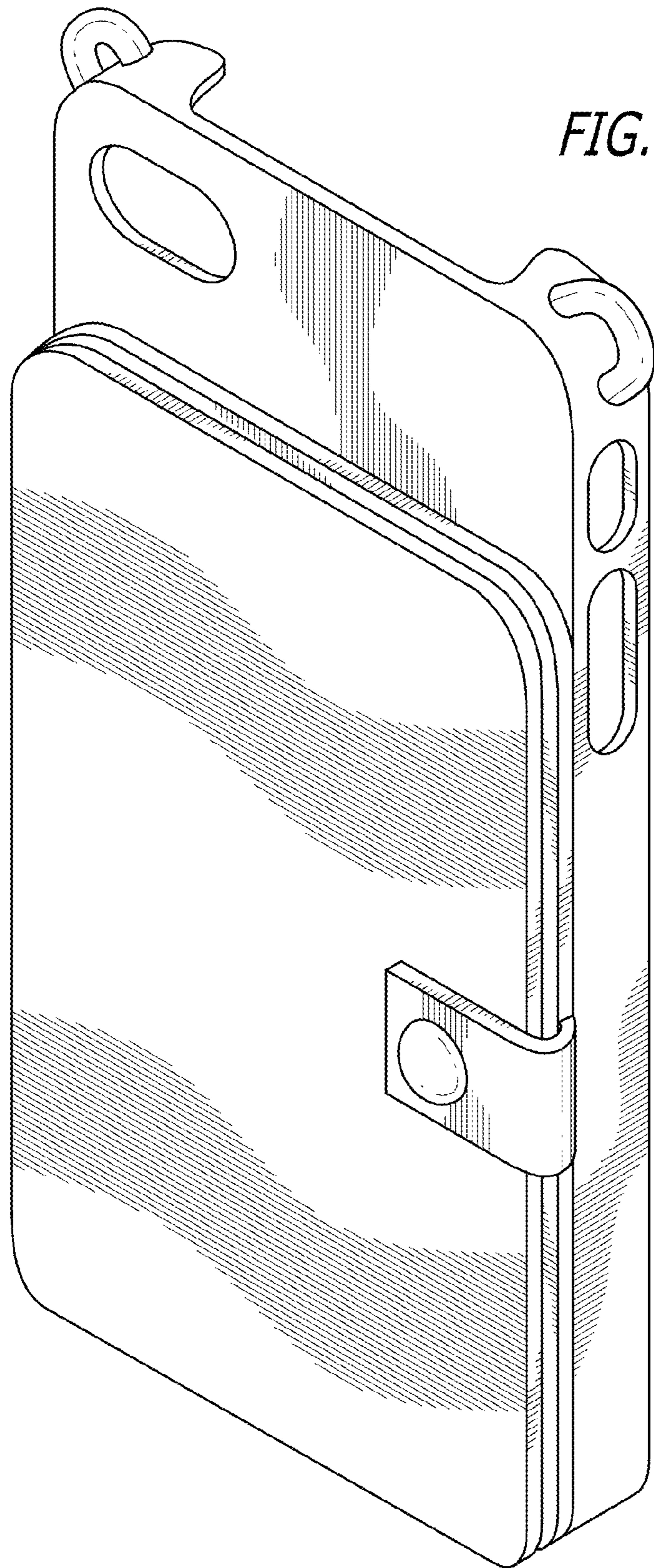


FIG. 2

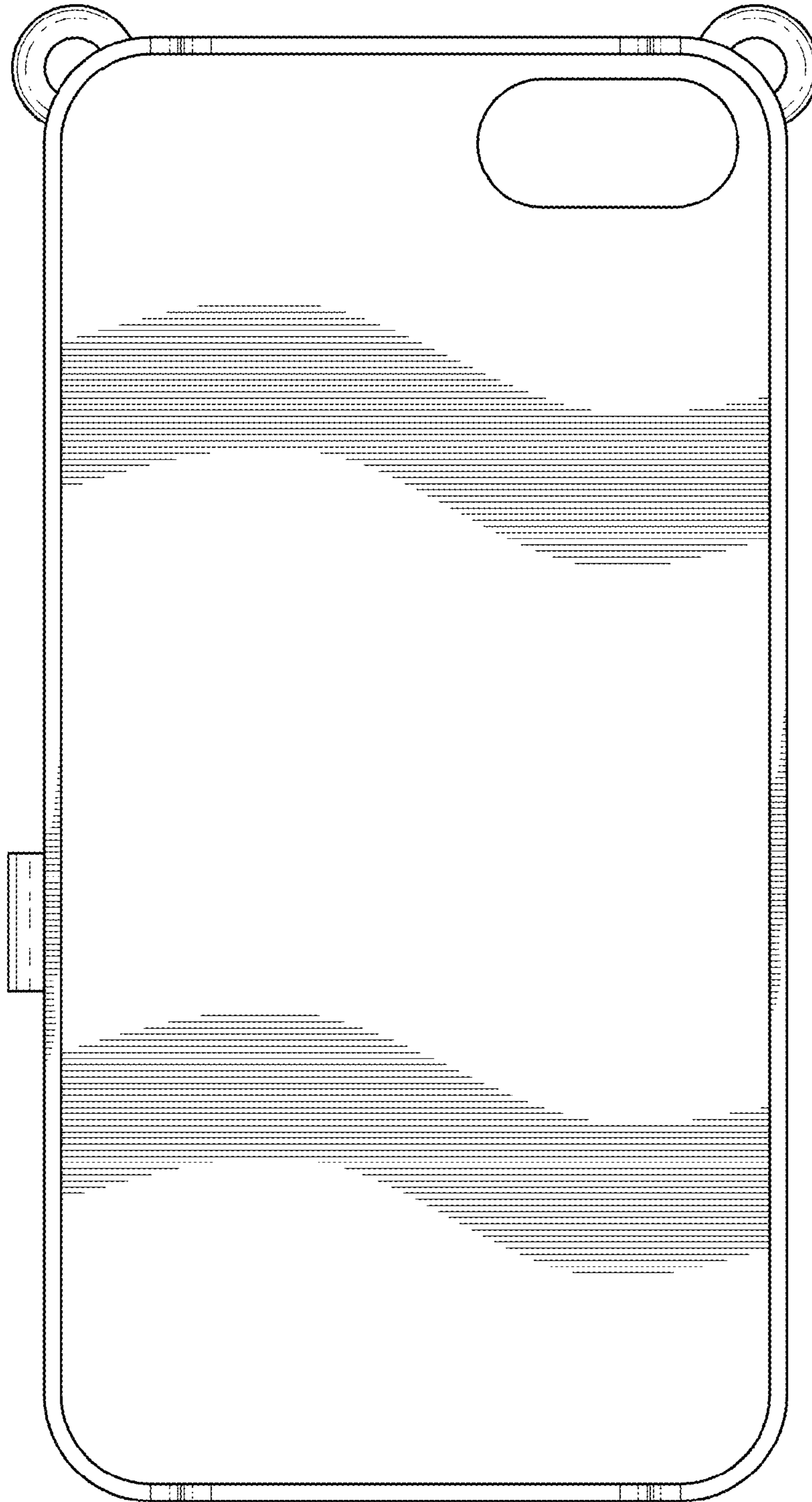


FIG. 3

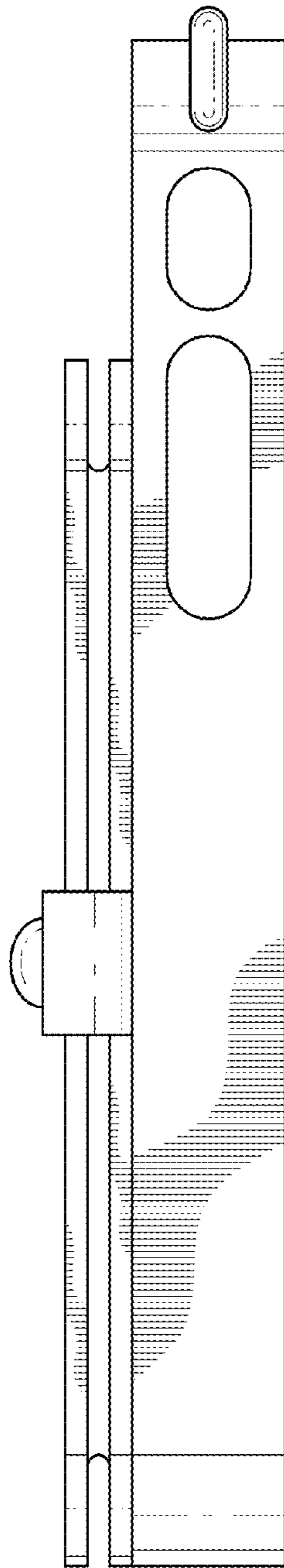


FIG. 4

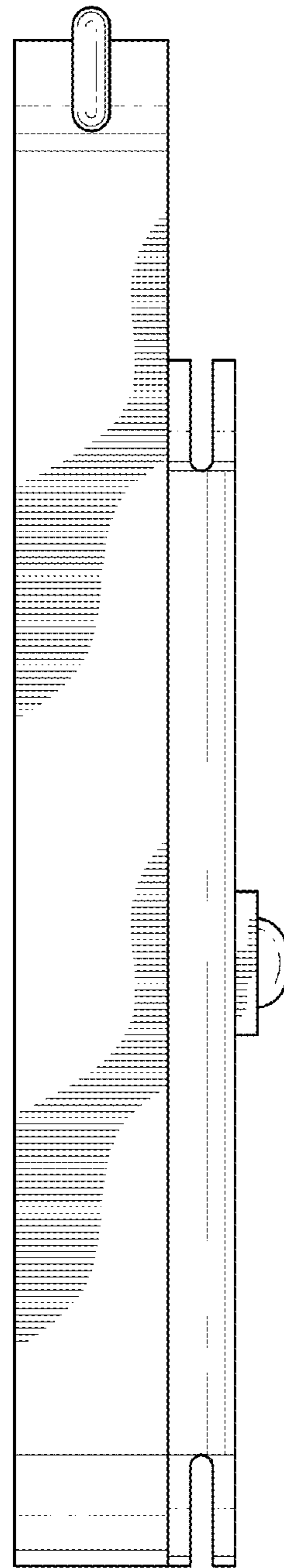


FIG. 5

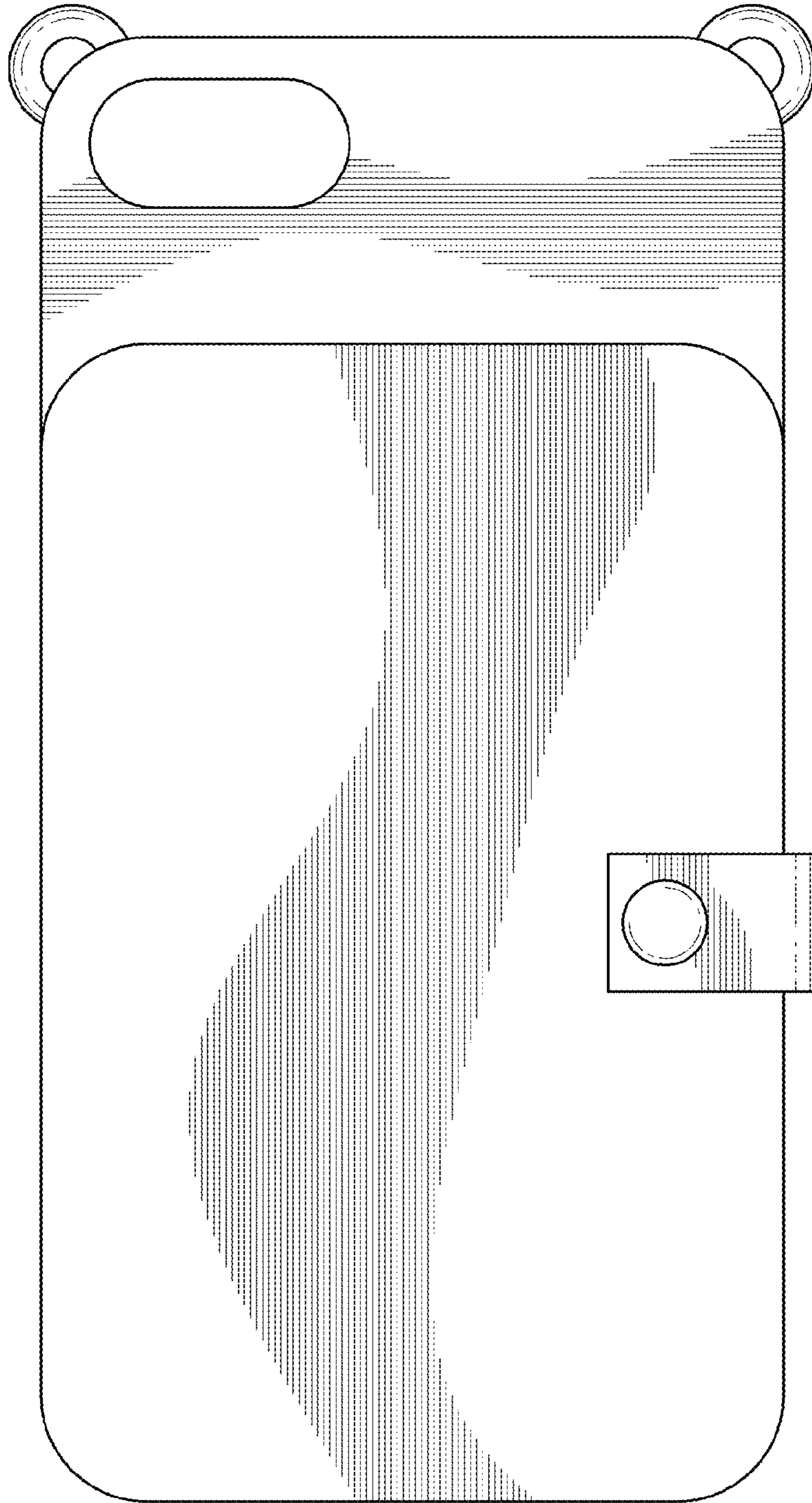


FIG. 6

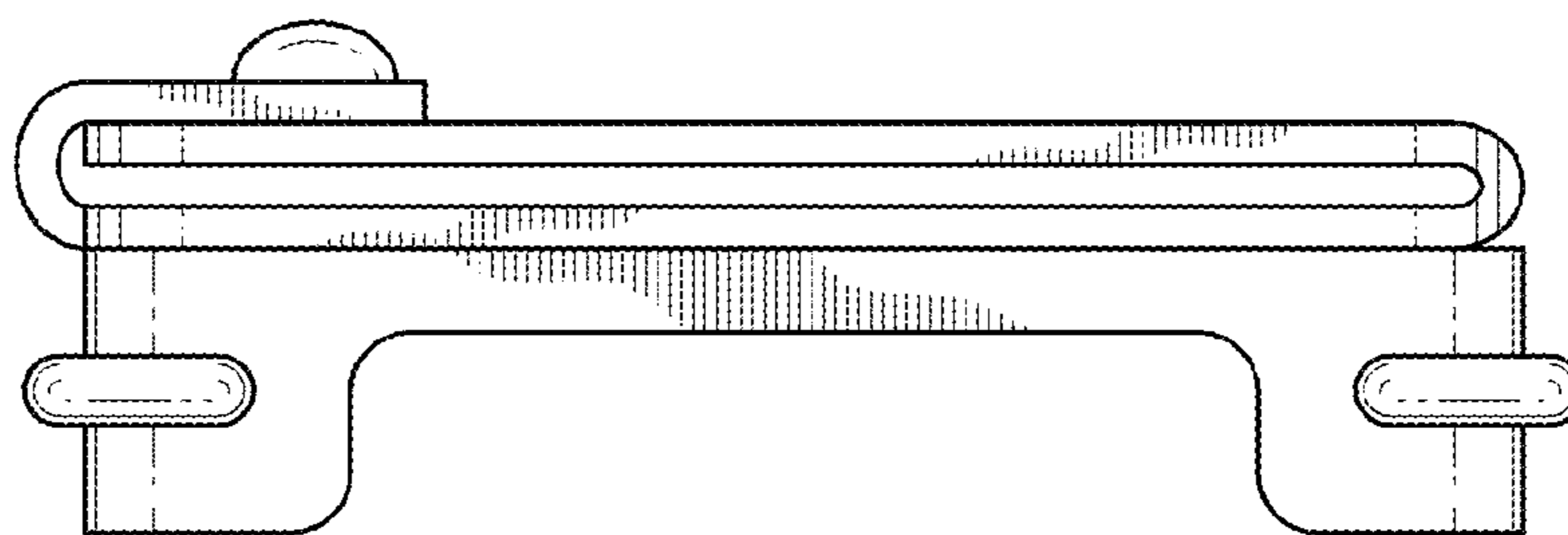


FIG. 7

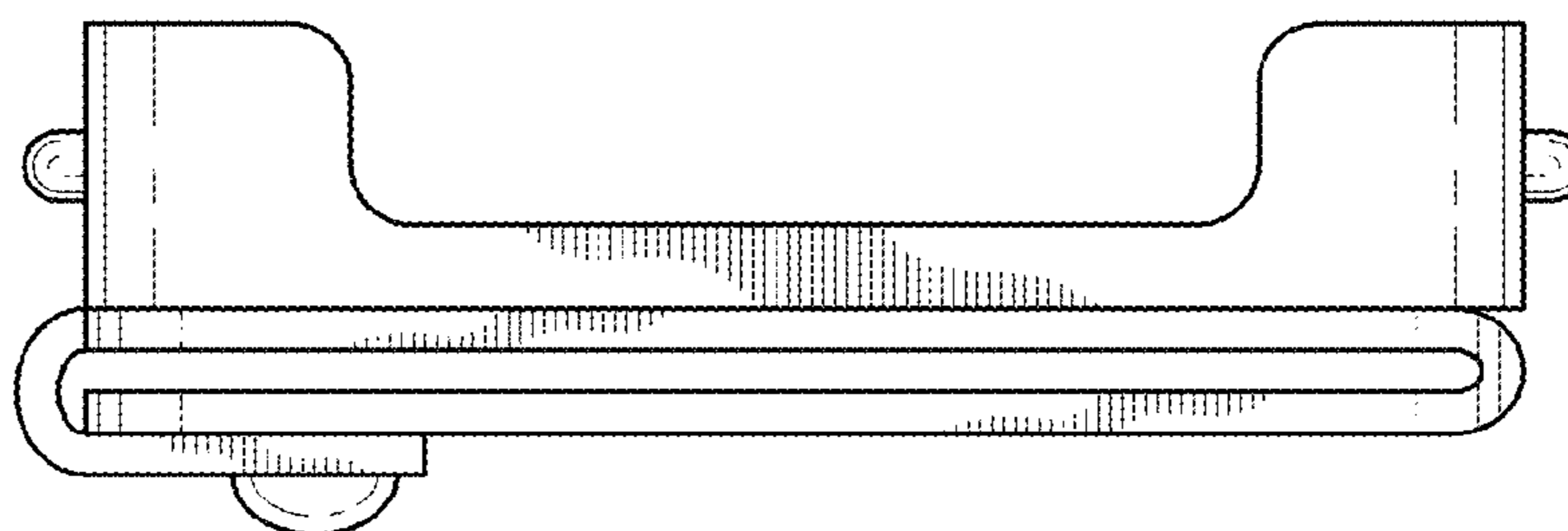


FIG. 8