



US00D688651S

(12) **United States Design Patent**
Daniel

(10) **Patent No.:** **US D688,651 S**

(45) **Date of Patent:** **** Aug. 27, 2013**

(54) **APPARATUS FOR AUTHENTICATING A USER TO RECEIVE WIRELESS NETWORK SERVICES ON A MOBILE COMMUNICATION DEVICE**

(76) Inventor: **Isaac S. Daniel**, Miramar, FL (US)

(**) Term: **14 Years**

(21) Appl. No.: **29/401,810**

(22) Filed: **Sep. 15, 2011**

(51) **LOC (9) Cl.** **14-03**

(52) **U.S. Cl.**
USPC **D14/240; D14/435.1**

(58) **Field of Classification Search**
USPC .. D14/242, 240, 435.1, 357, 358, 140-140.9,
D14/155, 137, 139, 243, 348, 349, 351, 354,
D14/355, 138 AD; 375/222; 455/557; 725/111
See application file for complete search history.

(56) **References Cited**

U.S. PATENT DOCUMENTS

D498,759	S	*	11/2004	Lewis et al.	D14/436
D536,695	S	*	2/2007	Griffin	D14/230
D545,809	S	*	7/2007	Griffin	D14/155
D550,196	S	*	9/2007	Griffin et al.	D14/155
D569,848	S	*	5/2008	Suzuki	D14/217
D618,224	S	*	6/2010	Tong et al.	D14/240
D618,225	S	*	6/2010	Tong et al.	D14/240
D618,226	S	*	6/2010	Tong et al.	D14/240
D618,240	S	*	6/2010	Larmour et al.	D14/358
D622,267	S	*	8/2010	Tong et al.	D14/240
D631,883	S	*	2/2011	Maier	D14/435.1
D631,885	S	*	2/2011	Maier	D14/435.1
D672,780	S	*	12/2012	Chen et al.	D14/433

* cited by examiner

Primary Examiner — Bridget L Eland

(74) *Attorney, Agent, or Firm* — Carol N. Green, Esq.

(57) **CLAIM**

The ornamental design for an apparatus for authenticating a user to receive wireless network services on a mobile communication device, as shown and described.

DESCRIPTION

FIG. 1 is a top front perspective view of an apparatus for authenticating a user to receive wireless network services on a mobile communication device.

FIG. 2 is a bottom perspective view of an apparatus for authenticating a user to receive wireless network services on a mobile communication device.

FIG. 3 is a front view of an apparatus for authenticating a user to receive wireless network services on a mobile communication device.

FIG. 4 is a rear view of an apparatus for authenticating a user to receive wireless network services on a mobile communication device.

FIG. 5 is a top plan view of an apparatus for authenticating a user to receive wireless network services on a mobile communication device.

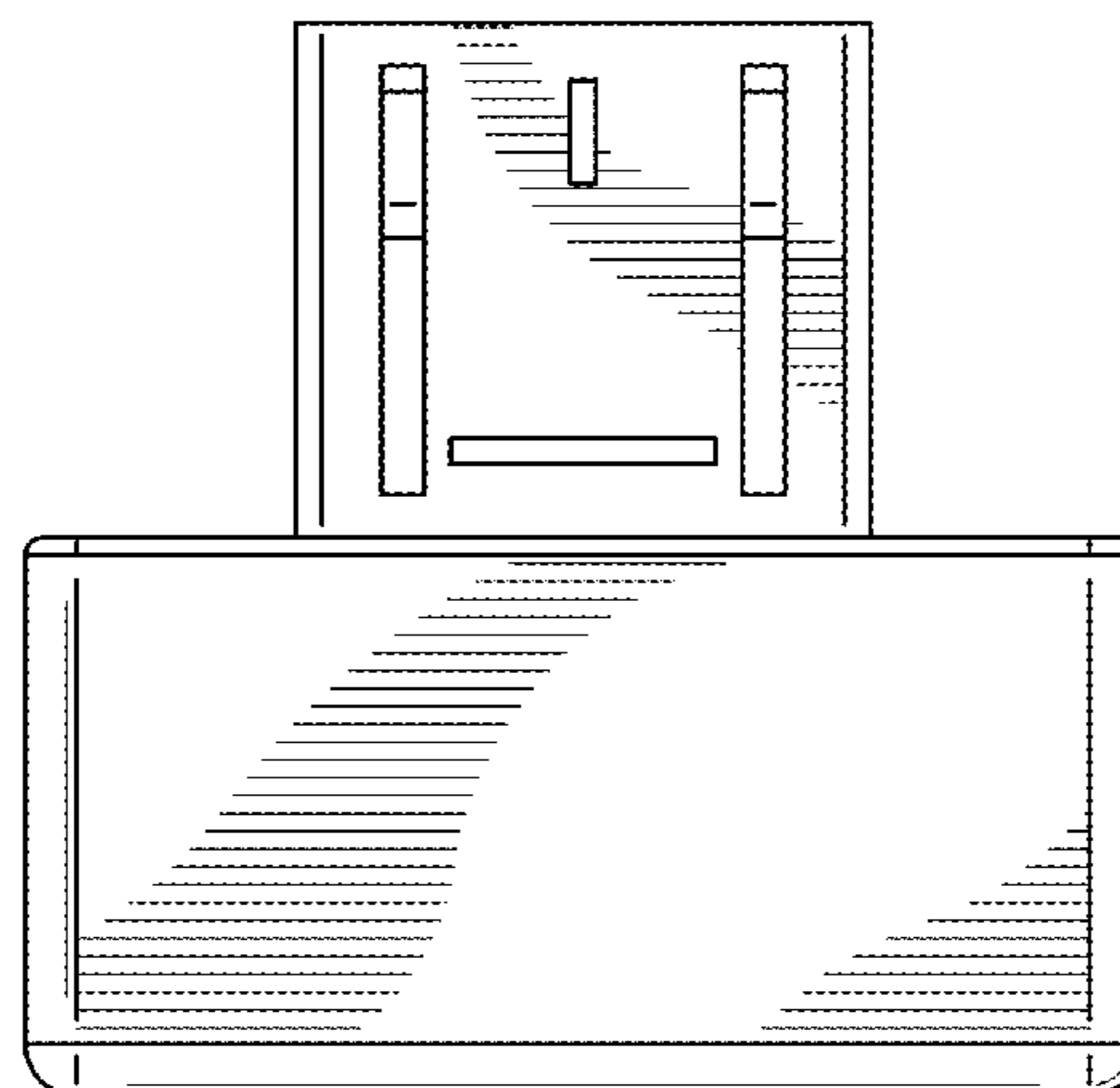
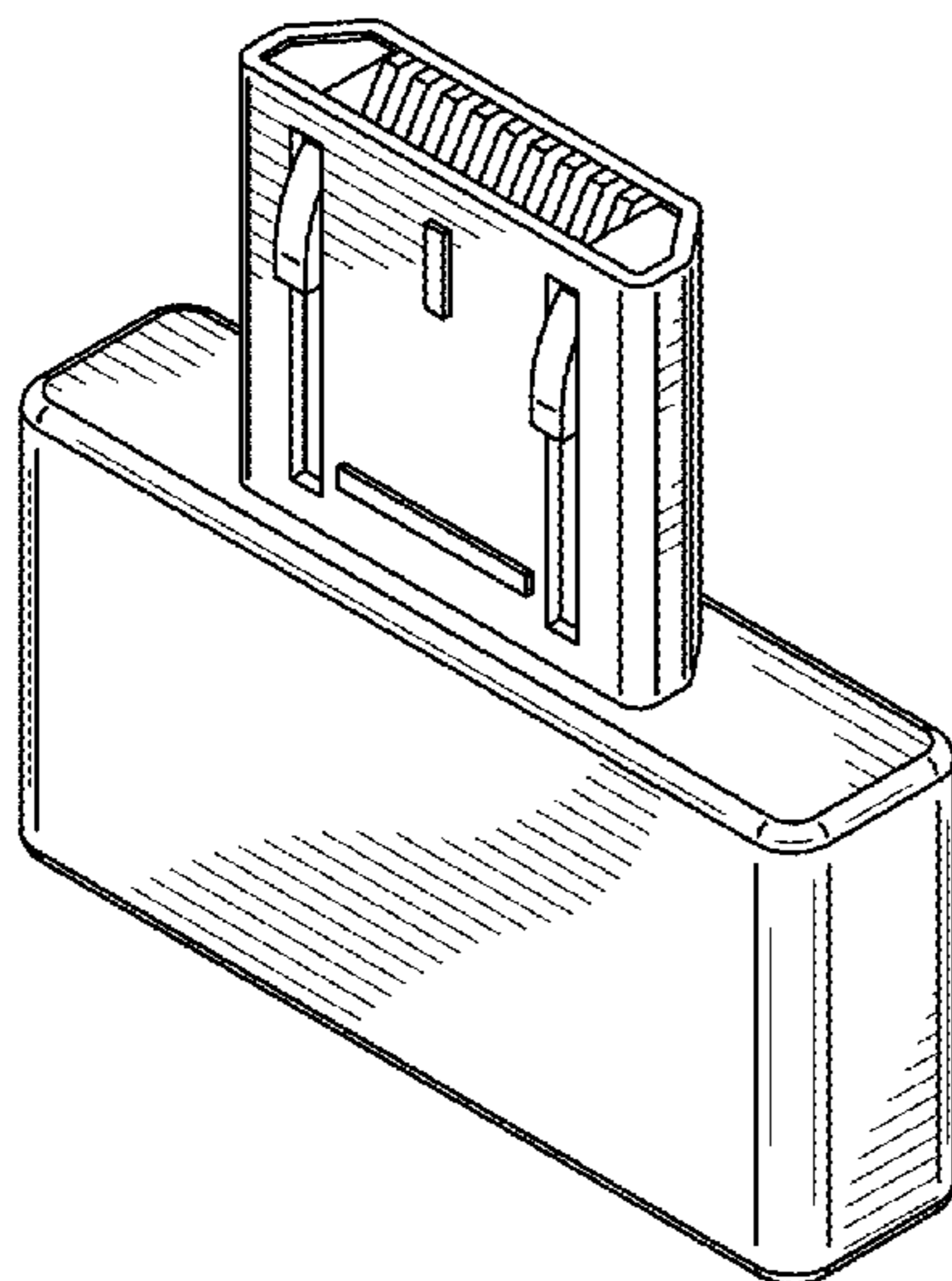
FIG. 6 is a bottom plan view of an apparatus for authenticating a user to receive wireless network services on a mobile communication device.

FIG. 7 is a side view of an apparatus for authenticating a user to receive wireless network services on a mobile communication device; and,

FIG. 8 is a perspective view of the apparatus for authenticating a user to receive wireless network services on a mobile communication device in use.

The broken lines in FIG. 8 showing the apparatus for authenticating a user to receive wireless network services on a mobile communication device are included for purposes of illustrating environment and form no part of the claimed design.

1 Claim, 4 Drawing Sheets



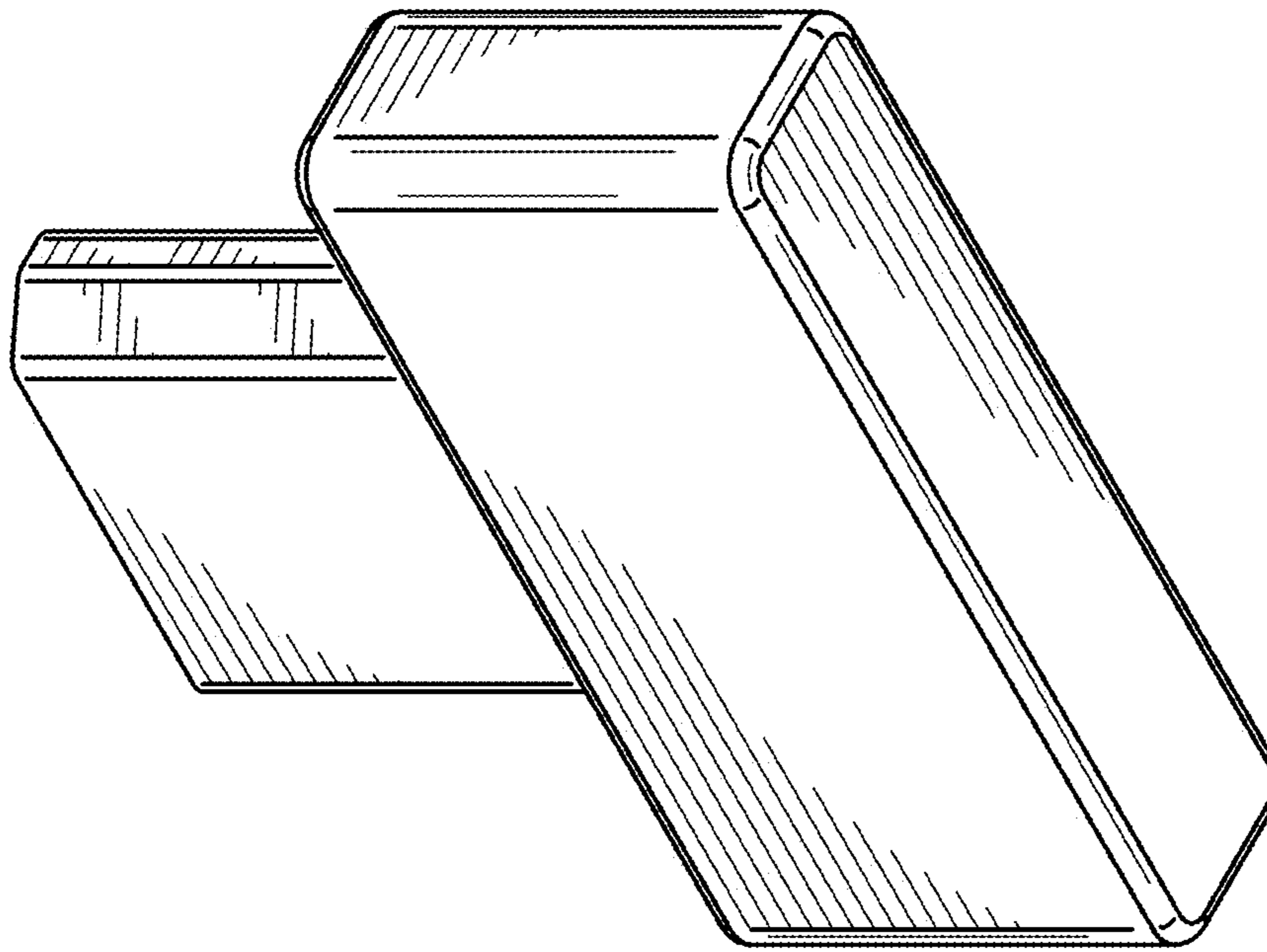


FIG. 2

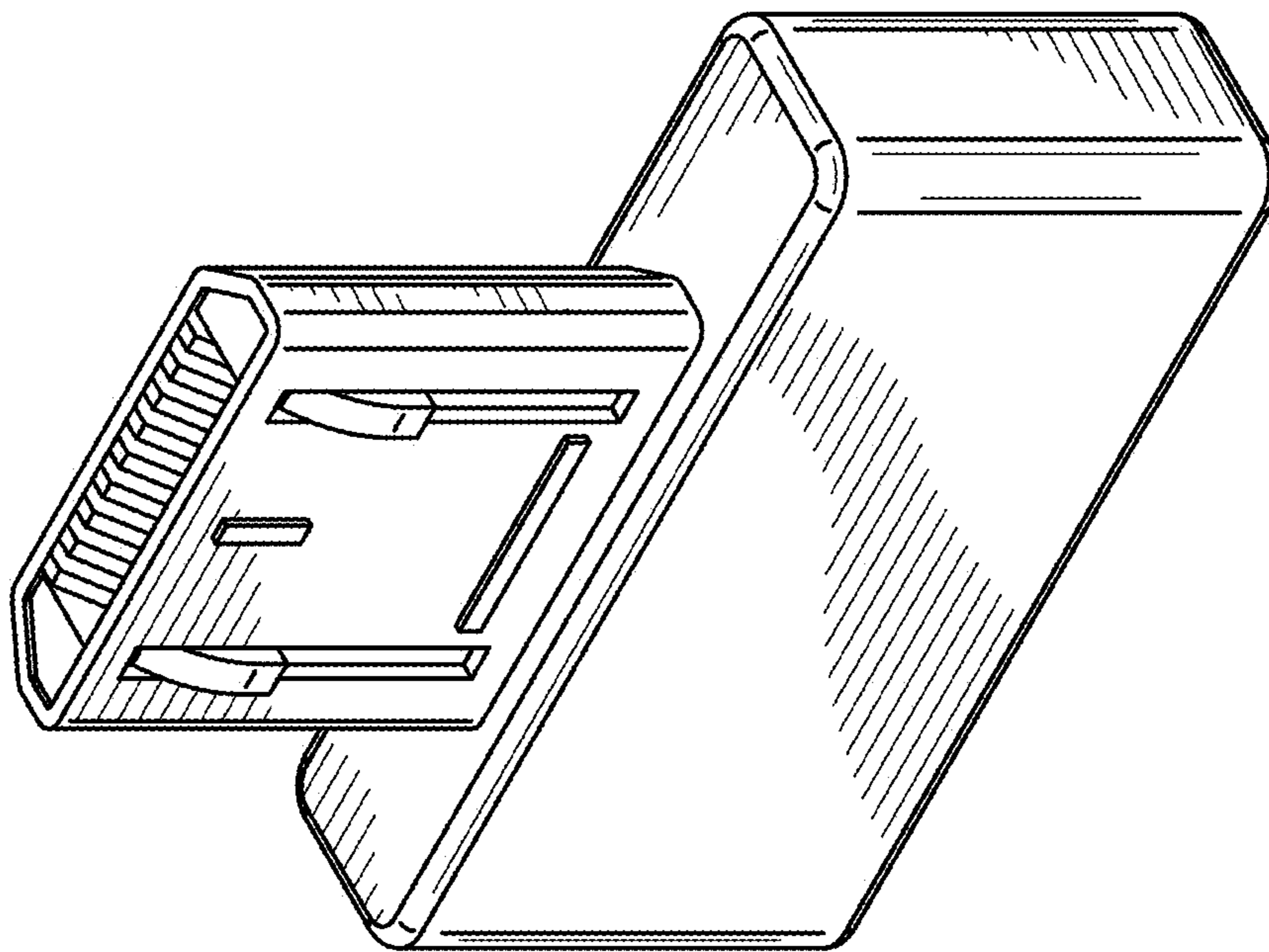


FIG. 1

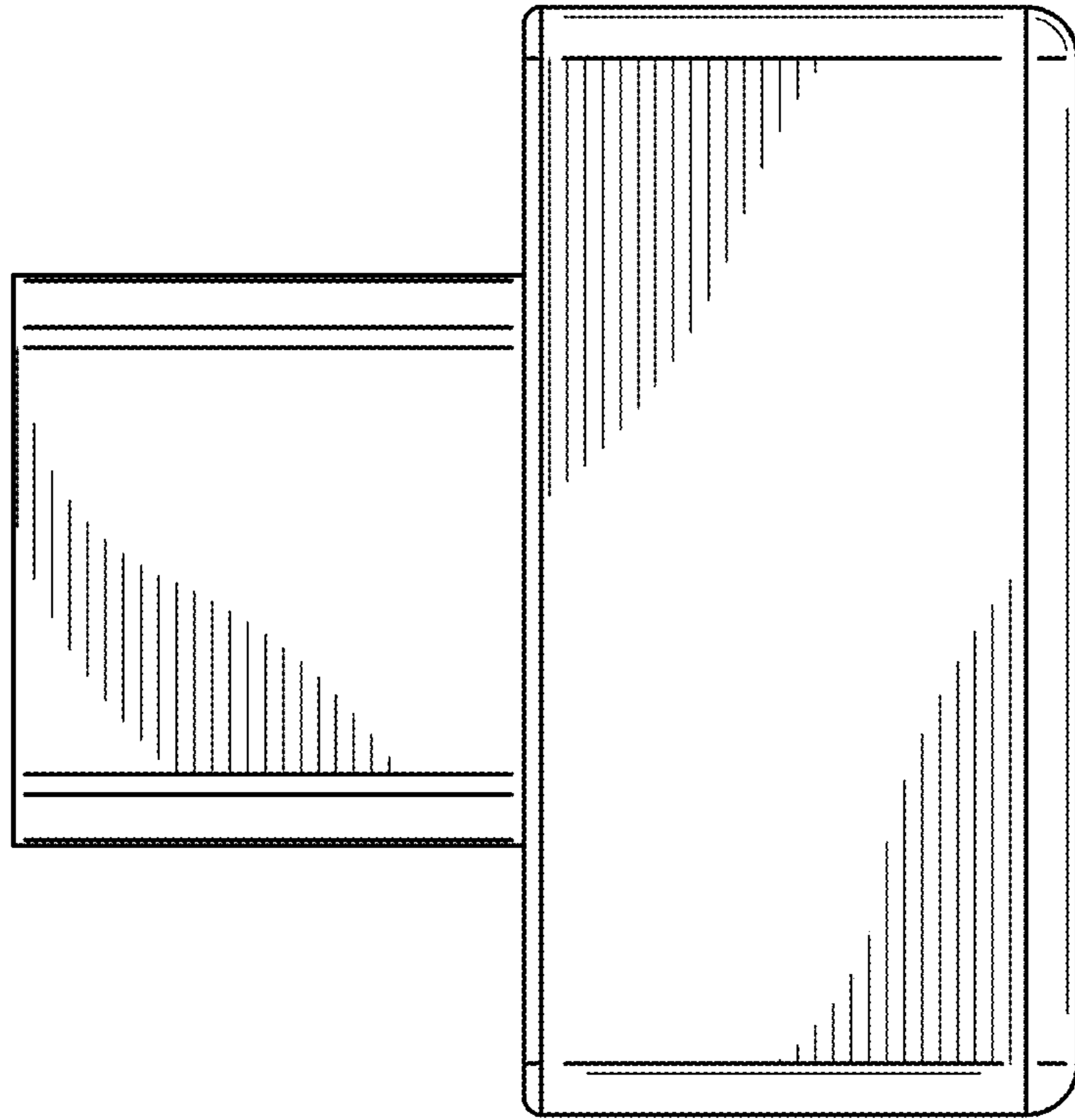


FIG. 4

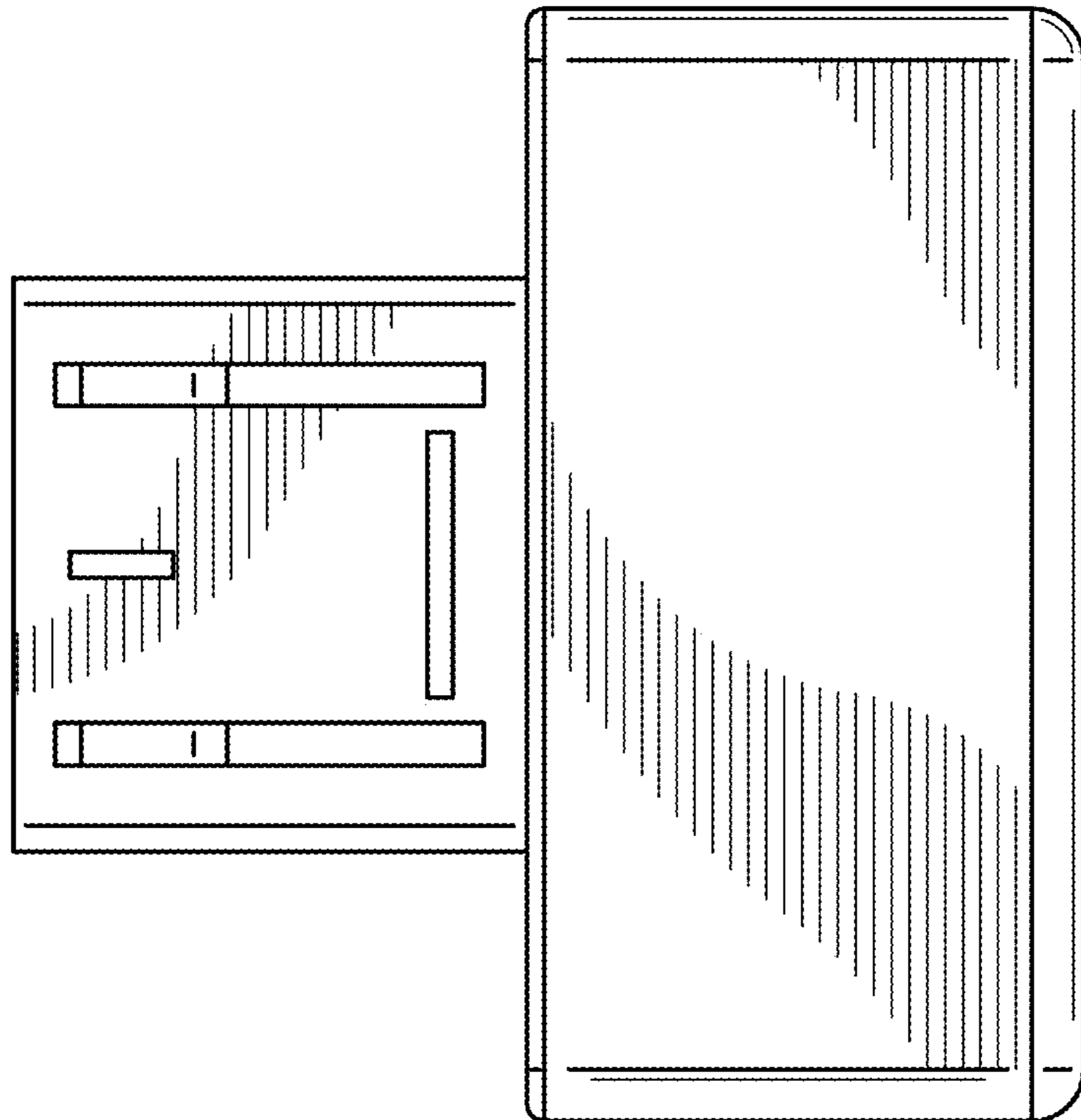


FIG. 3

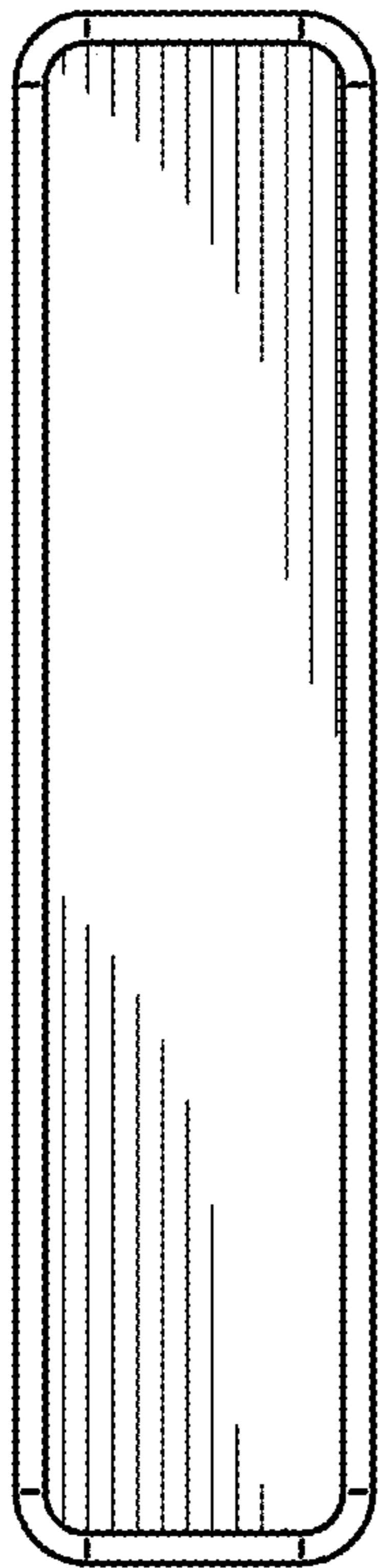


FIG. 5

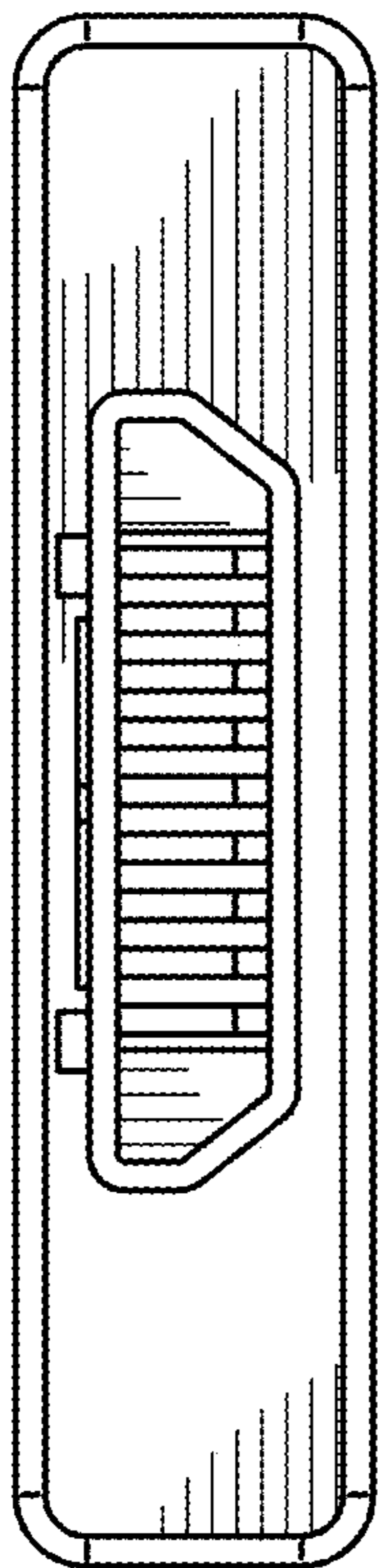


FIG. 6

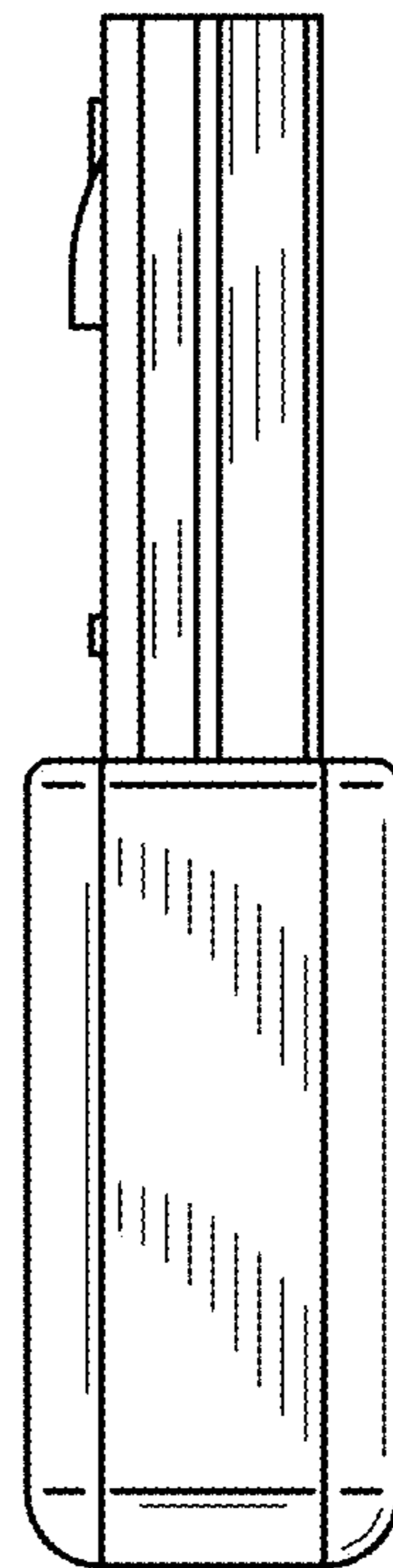


FIG. 7

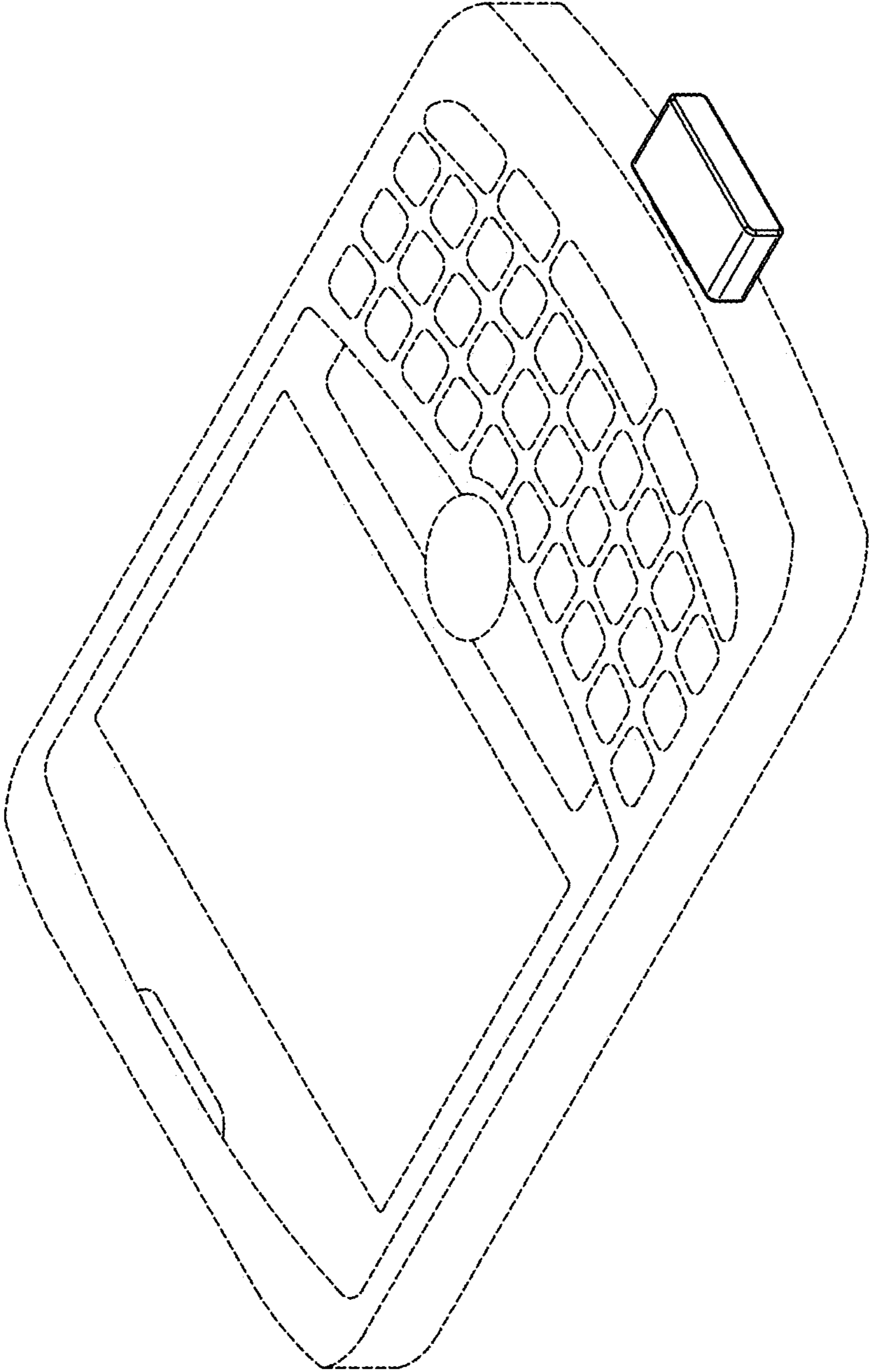


FIG. 8