



US00D688644S

(12) **United States Design Patent**
Nuovo et al.

(10) **Patent No.:** **US D688,644 S**

(45) **Date of Patent:** **** Aug. 27, 2013**

(54) **HANDSET**

(71) Applicant: **Vertu Corporation Limited**, Hampshire (GB)

(72) Inventors: **Frank Nuovo**, Los Angeles, CA (US); **Joel Bridge**, London (GB)

(73) Assignee: **Vertu Corporation Limited**, Hampshire (GB)

(**) Term: **14 Years**

(21) Appl. No.: **29/433,728**

(22) Filed: **Oct. 4, 2012**

(51) **LOC (9) Cl.** **14-03**

(52) **U.S. Cl.**
USPC **D14/138 G**

(58) **Field of Classification Search**
USPC D14/138 G, 138 AD, 341, 346, 138 R,
D14/138 AC, 496, 203.1, 203.4, 203.7, 248,
D14/218; 455/575.1, 556.2, 575.3, 575.4;
D21/517; 379/433.01, 433.04, 433.13; D10/65,
D10/78, 104; D13/168
See application file for complete search history.

(56) **References Cited**

U.S. PATENT DOCUMENTS

D515,537 S *	2/2006	Kim et al.	D14/138 AA
D552,582 S *	10/2007	Moon et al.	D14/138 AA
D559,224 S *	1/2008	Moon et al.	D14/138 AA
D562,283 S *	2/2008	Moon et al.	D14/138 AA
D590,802 S *	4/2009	Shin et al.	D14/138 AD
D604,283 S *	11/2009	Nuovo et al.	D14/248
D605,618 S *	12/2009	Nuovo et al.	D14/138 AA
D611,921 S *	3/2010	Bang et al.	D14/138 G
D612,828 S *	3/2010	Salazar et al.	D14/138 AB
D614,178 S *	4/2010	Nuovo et al.	D14/248
D615,519 S *	5/2010	Kim et al.	D14/138 G
D624,046 S *	9/2010	Lee et al.	D14/138 G
D631,025 S *	1/2011	Yeh et al.	D14/138 G

D631,456 S * 1/2011 Chung et al. D14/138 G
D631,461 S * 1/2011 Yuan D14/138 G

(Continued)

OTHER PUBLICATIONS

Vertu Ti telephone, announced Feb. 2013, [online], [site visited Jun. 12, 2013]. Available from Internet, <URL: http://www.gsmarena.com/vertu_ti-5297.php>.*

(Continued)

Primary Examiner — Jeffrey D Asch

(74) *Attorney, Agent, or Firm* — Myers Wolin, LLC

(57) **CLAIM**

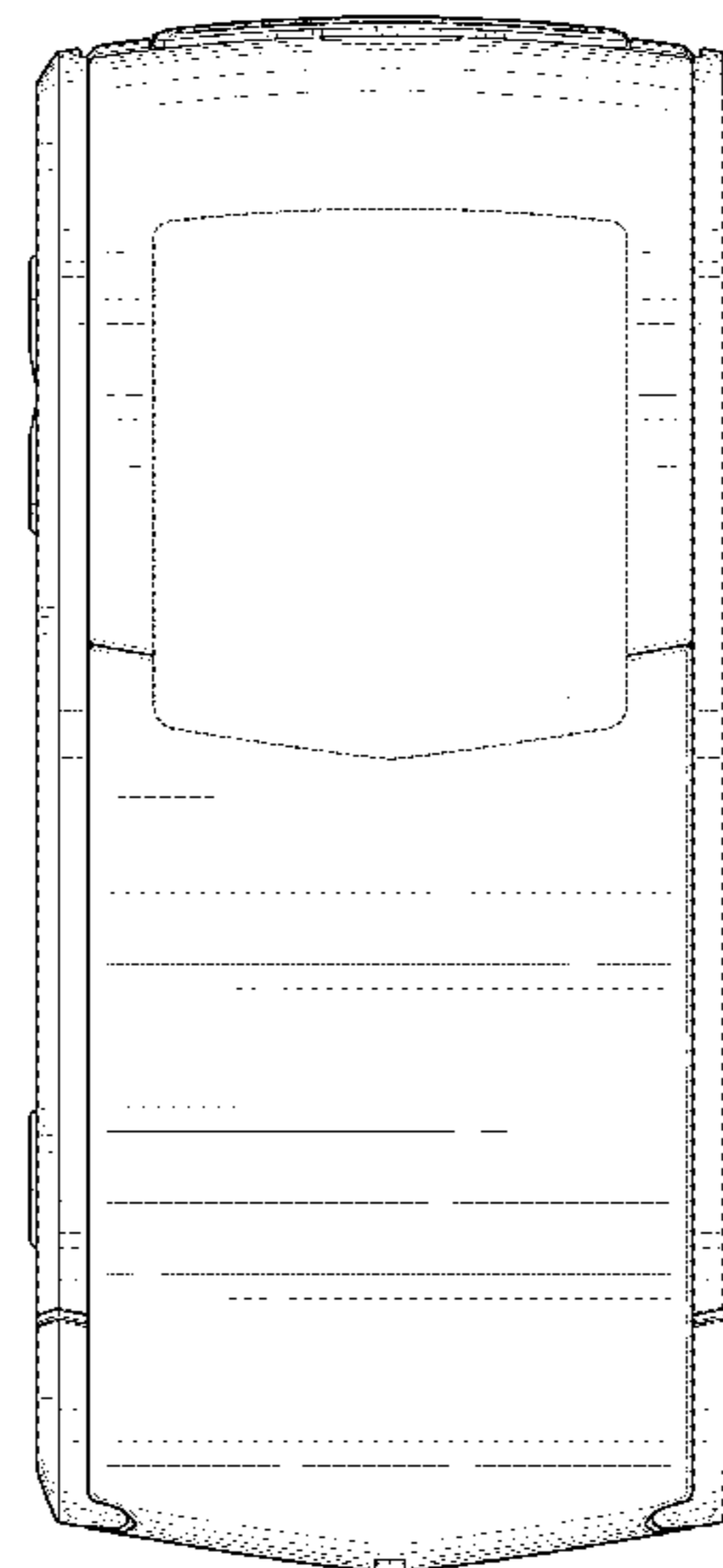
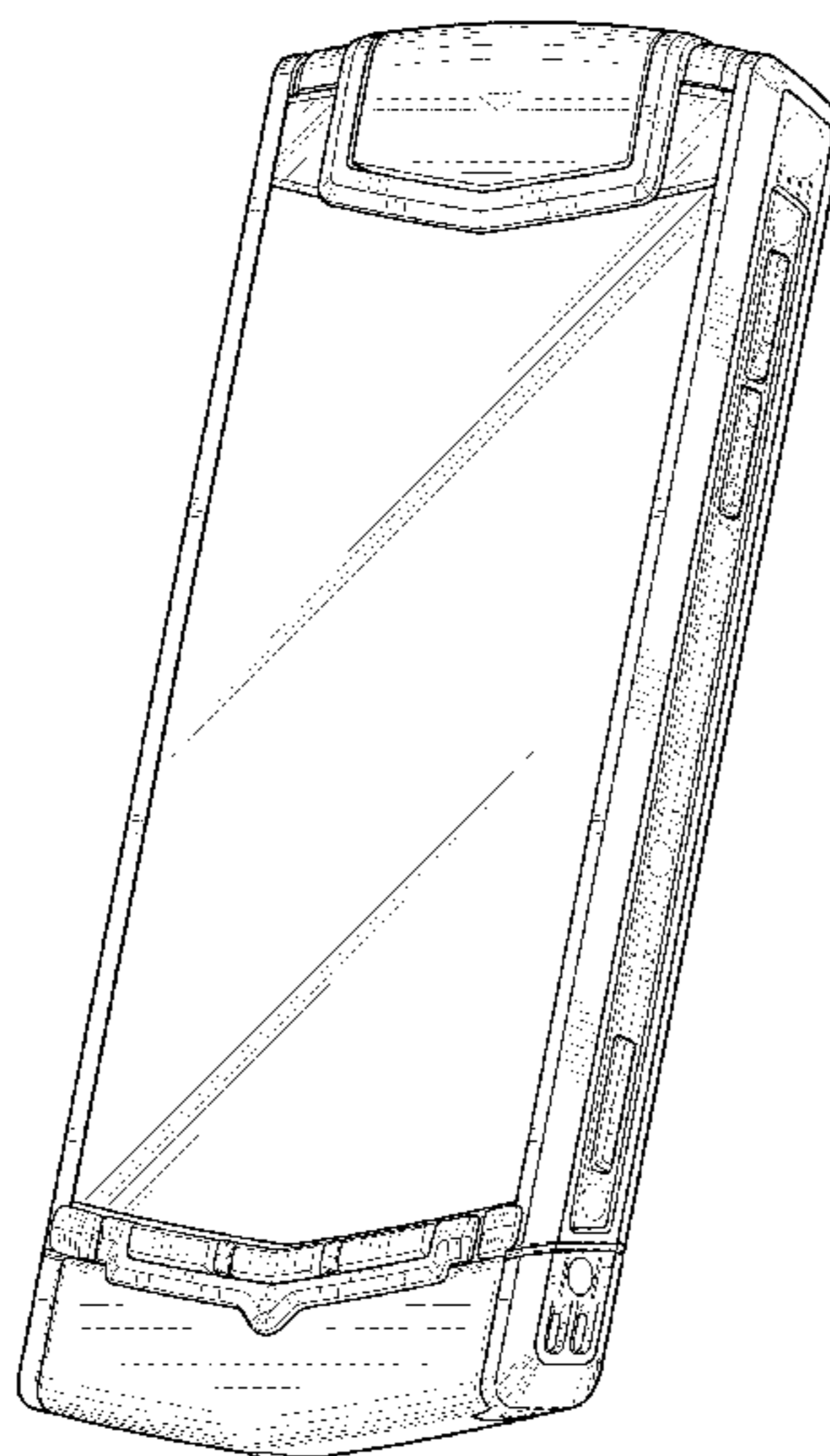
The ornamental design for a handset, as shown and described.

DESCRIPTION

FIG. 1 is a perspective view of a handset showing our new design;
FIG. 2 is a front view thereof;
FIG. 3 is a rear view thereof;
FIG. 4 is a left side view thereof;
FIG. 5 is a right side view thereof;
FIG. 6 is a top view thereof;
FIG. 7 is a bottom view thereof;
FIG. 8 is a perspective view of a second embodiment of a handset showing our new design;
FIG. 9 is a front view thereof;
FIG. 10 is a rear view thereof;
FIG. 11 is a left side view thereof;
FIG. 12 is a right side view thereof;
FIG. 13 is a top view thereof; and,
FIG. 14 is a bottom view thereof.

The broken lines of the handset in FIGS. 1-7 and the unshaded regions therein are for illustrative purposes only and form no part of the embodiment in which they are shown.

1 Claim, 10 Drawing Sheets



(56)

References Cited

U.S. PATENT DOCUMENTS

D633,459 S * 3/2011 Suzuki D14/138 G
 D634,312 S * 3/2011 Dry et al. D14/248
 D645,439 S * 9/2011 Lee et al. D14/138 AD
 D648,698 S * 11/2011 Suzuki D14/138 G
 D654,465 S * 2/2012 Salazar et al. D14/138 G
 D654,480 S * 2/2012 Salazar et al. D14/247
 D654,888 S * 2/2012 Chung D14/138 G
 D657,765 S * 4/2012 Salazar et al. D14/138 G
 D664,515 S * 7/2012 Fagnot et al. D14/138 G
 D666,984 S * 9/2012 Suzuki D14/138 G
 D670,261 S * 11/2012 Nuovo et al. D14/138 G
 8,340,696 B2 * 12/2012 Endo et al. 455/460
 D676,817 S * 2/2013 Nuovo et al. D14/138 G

OTHER PUBLICATIONS

Vertu Constellation telephone, announced Oct. 2011, [online], [site visited Jun. 12, 2013]. Available from Internet, <URL: http://www.gsmarena.com/vertu_constellation-4263.php>.*
 Samsung i8910 Omnia HD telephone, announced Feb. 2009, [online], [site visited Jun. 12, 2013]. Available from Internet, <URL: http://www.gsmarena.com/samsung_i8910_omnia_hd-2691.php>.*
 Vertu Signature S telephone, announced Oct. 2008, [online], [site visited Jun. 12, 2013]. Available from Internet, <URL: http://www.gsmarena.com/vertu_signature_s-2753.php>.*
 Celkon C77 telephone, announced 2011, [online], [site visited Jun. 12, 2013]. Available from Internet, <URL: http://www.gsmarena.com/celkon_c77-4489.php>.*

* cited by examiner

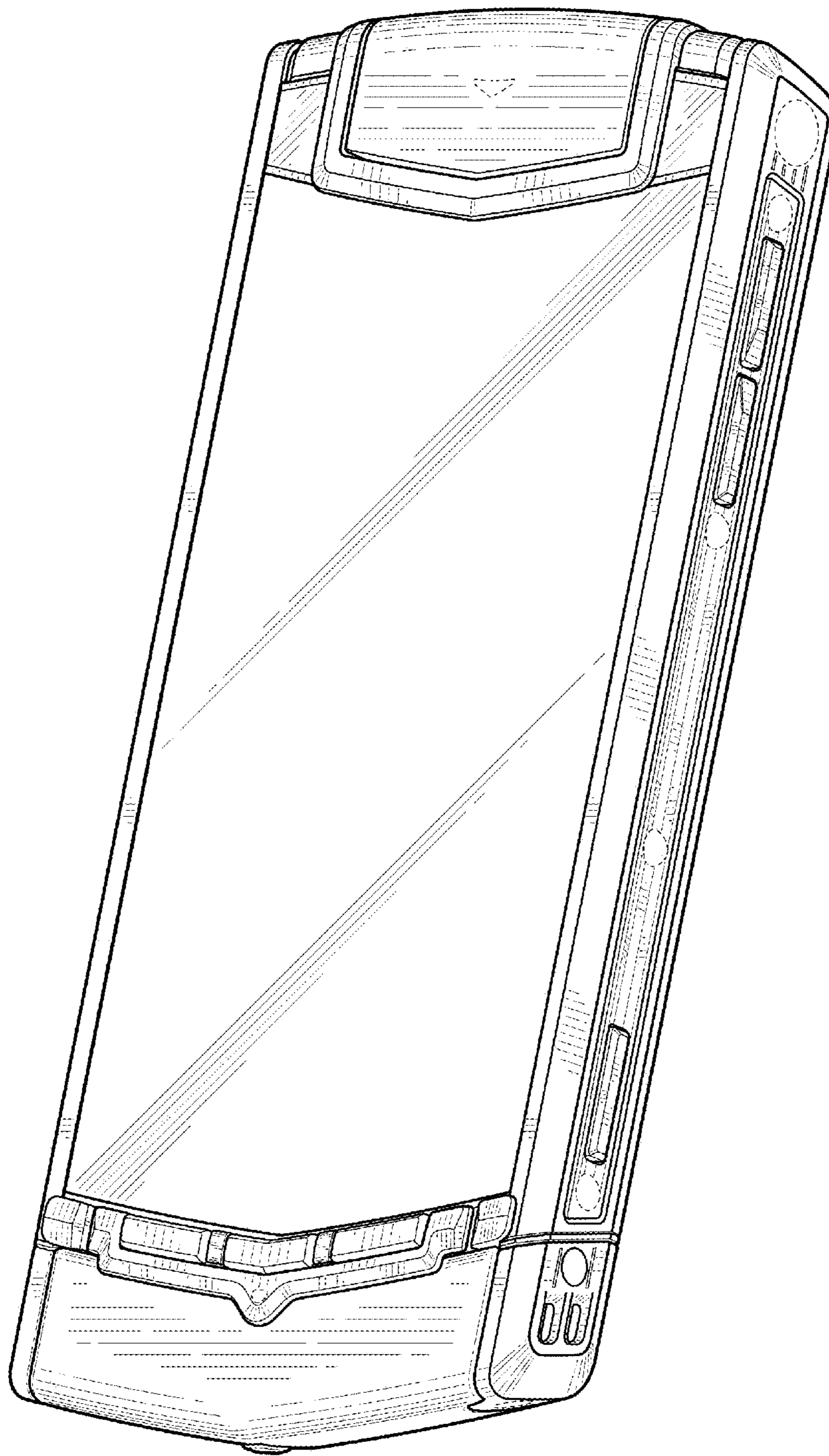


FIG. 1

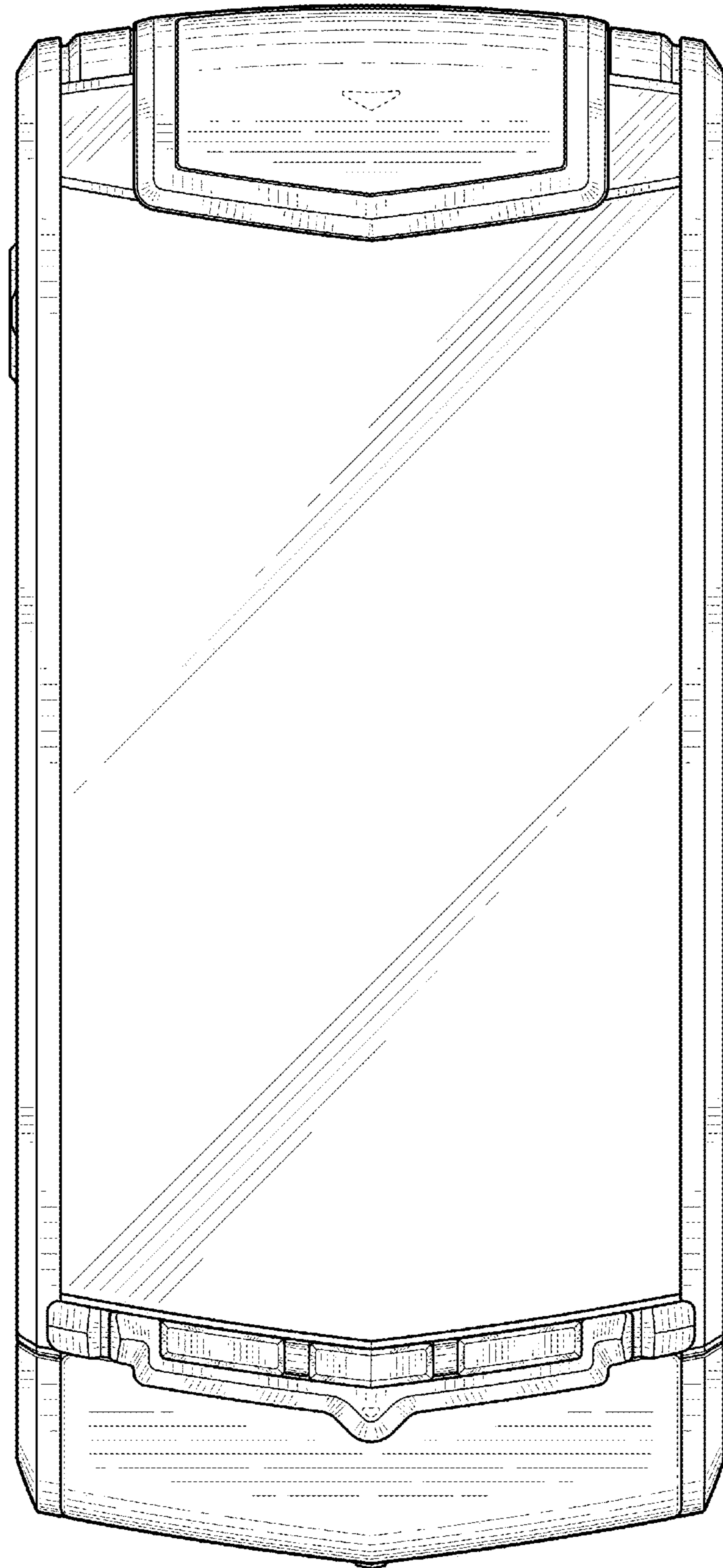


FIG. 2

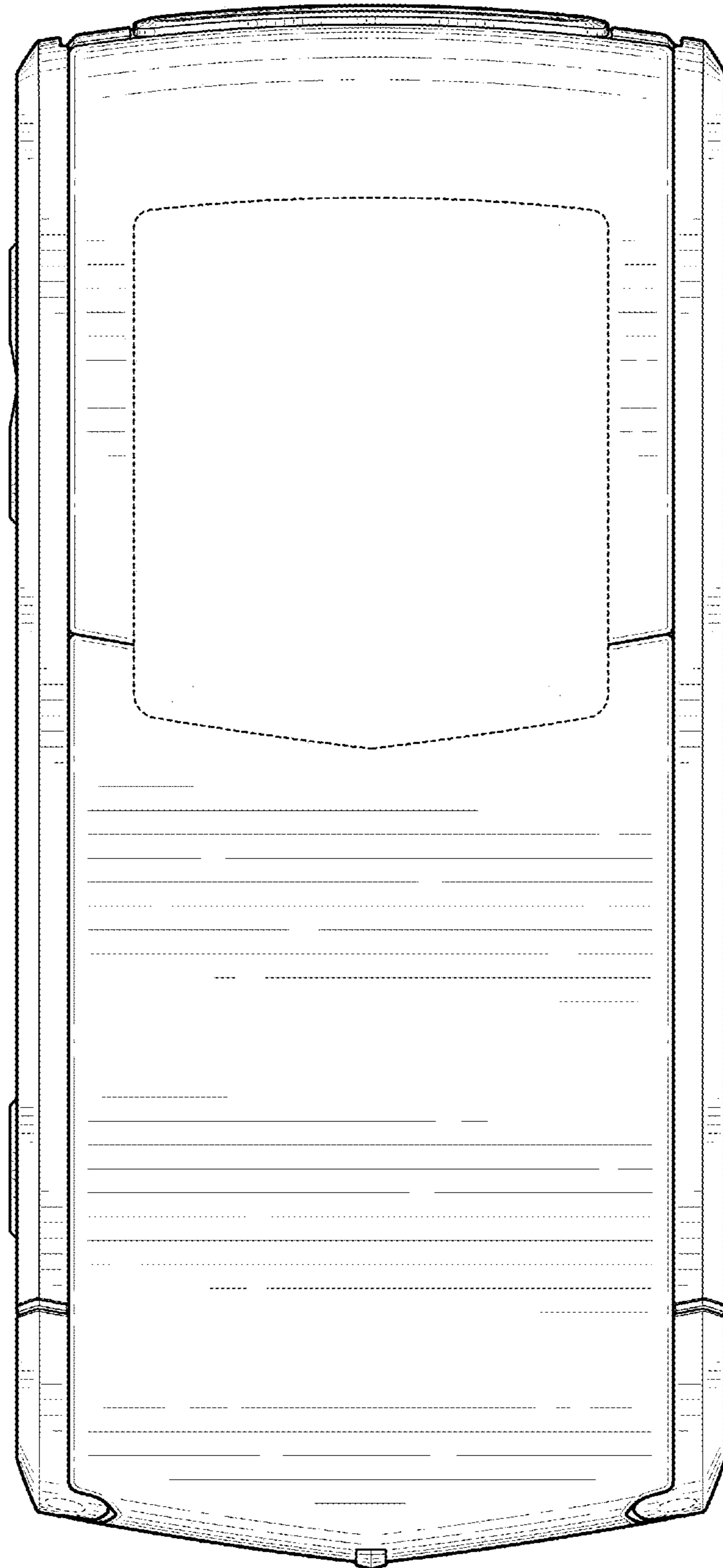


FIG. 3

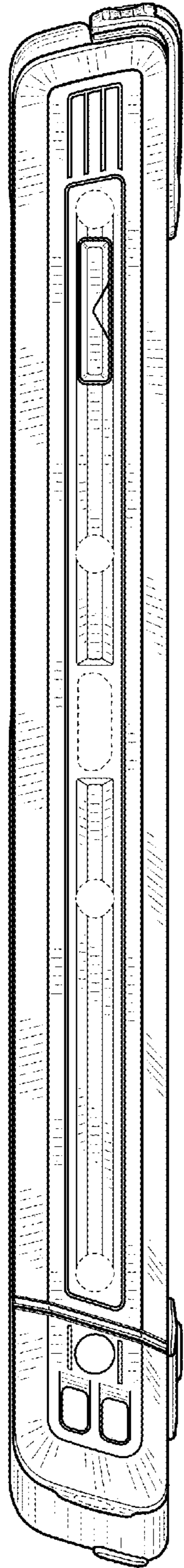


FIG. 4

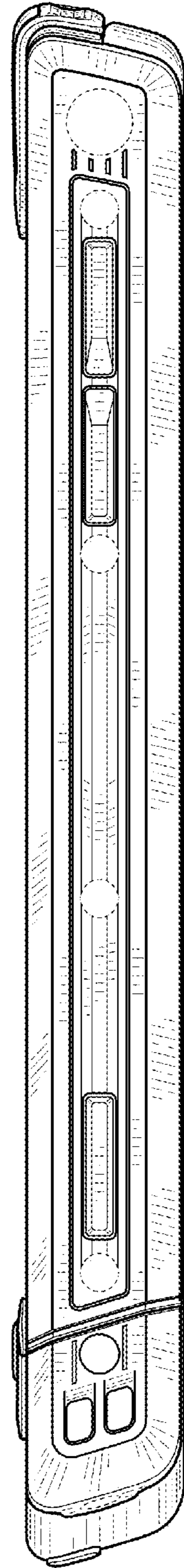


FIG. 5

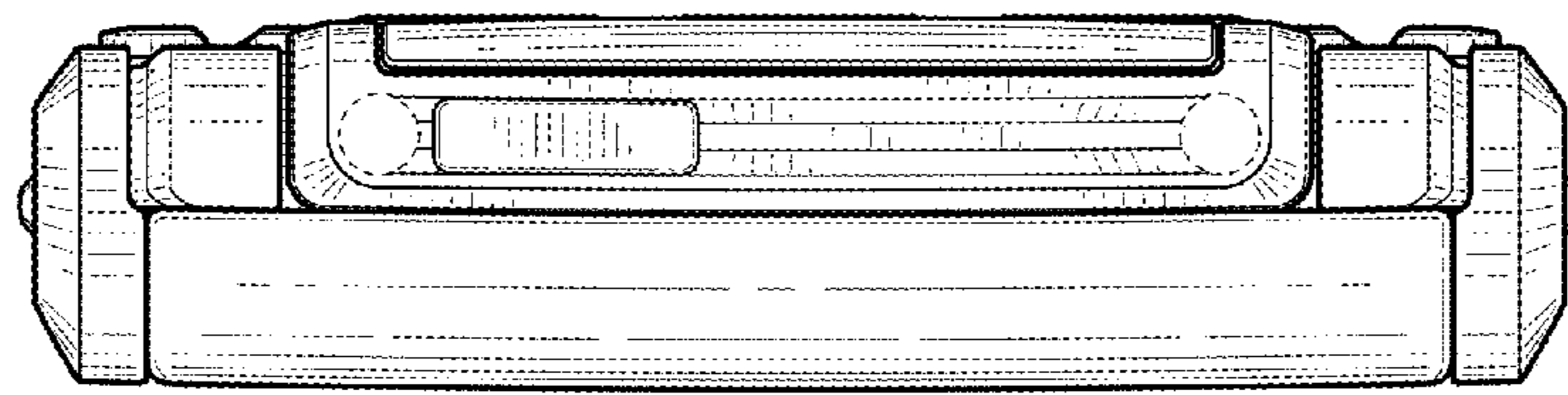


FIG. 6

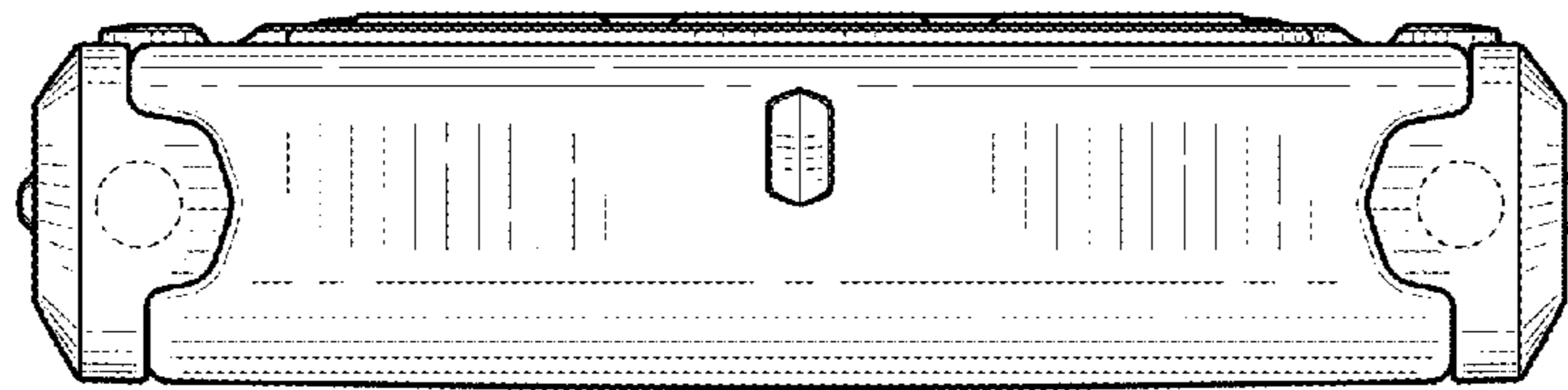


FIG. 7

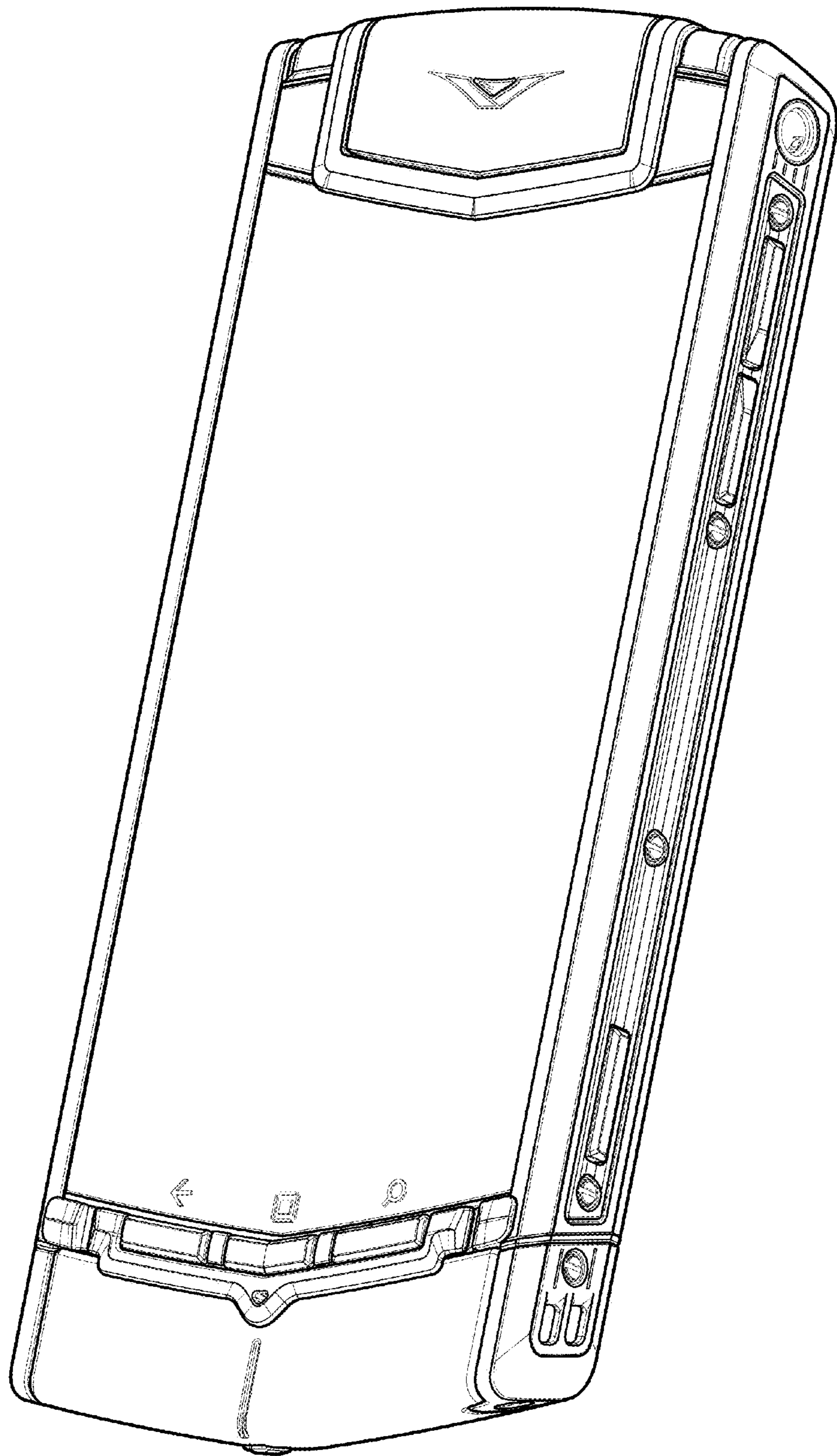


FIG. 8

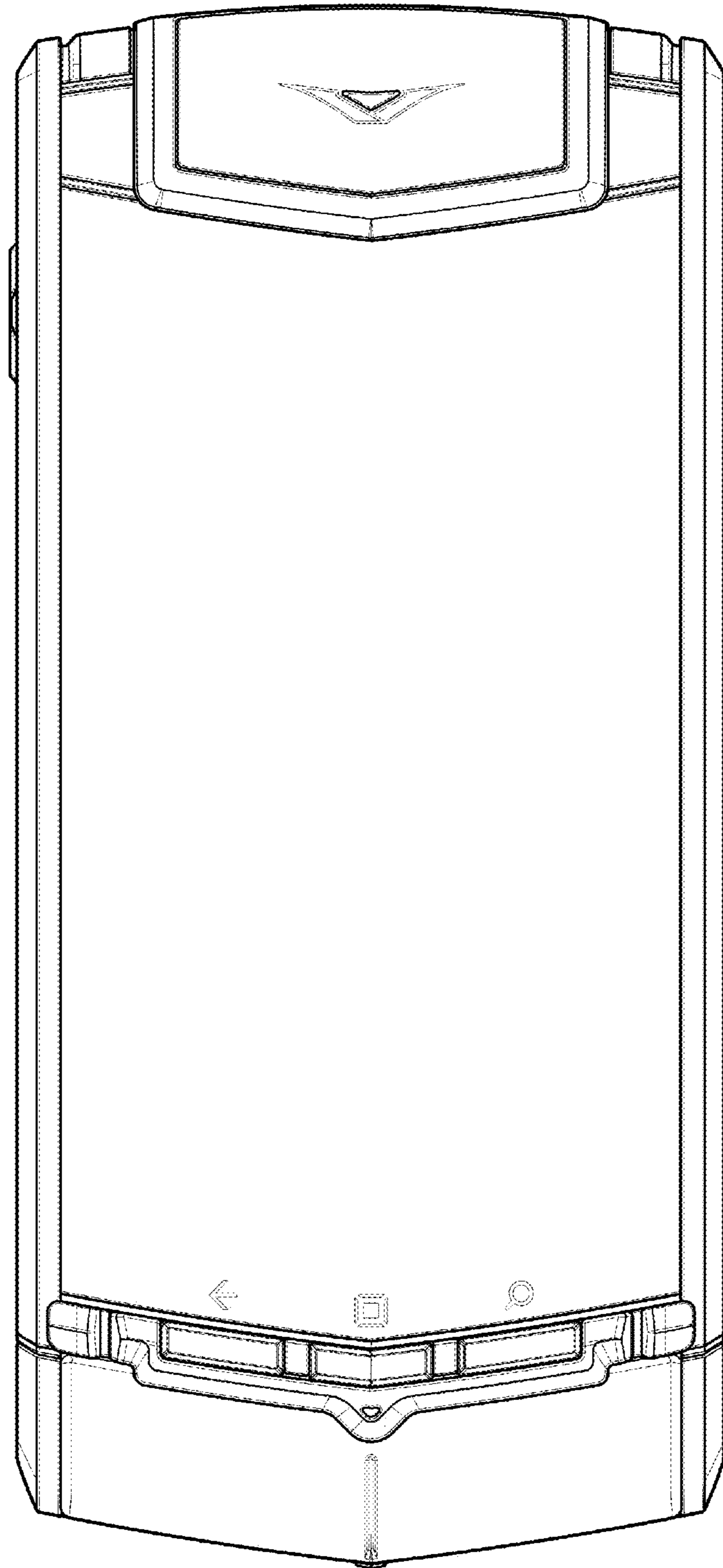


FIG. 9

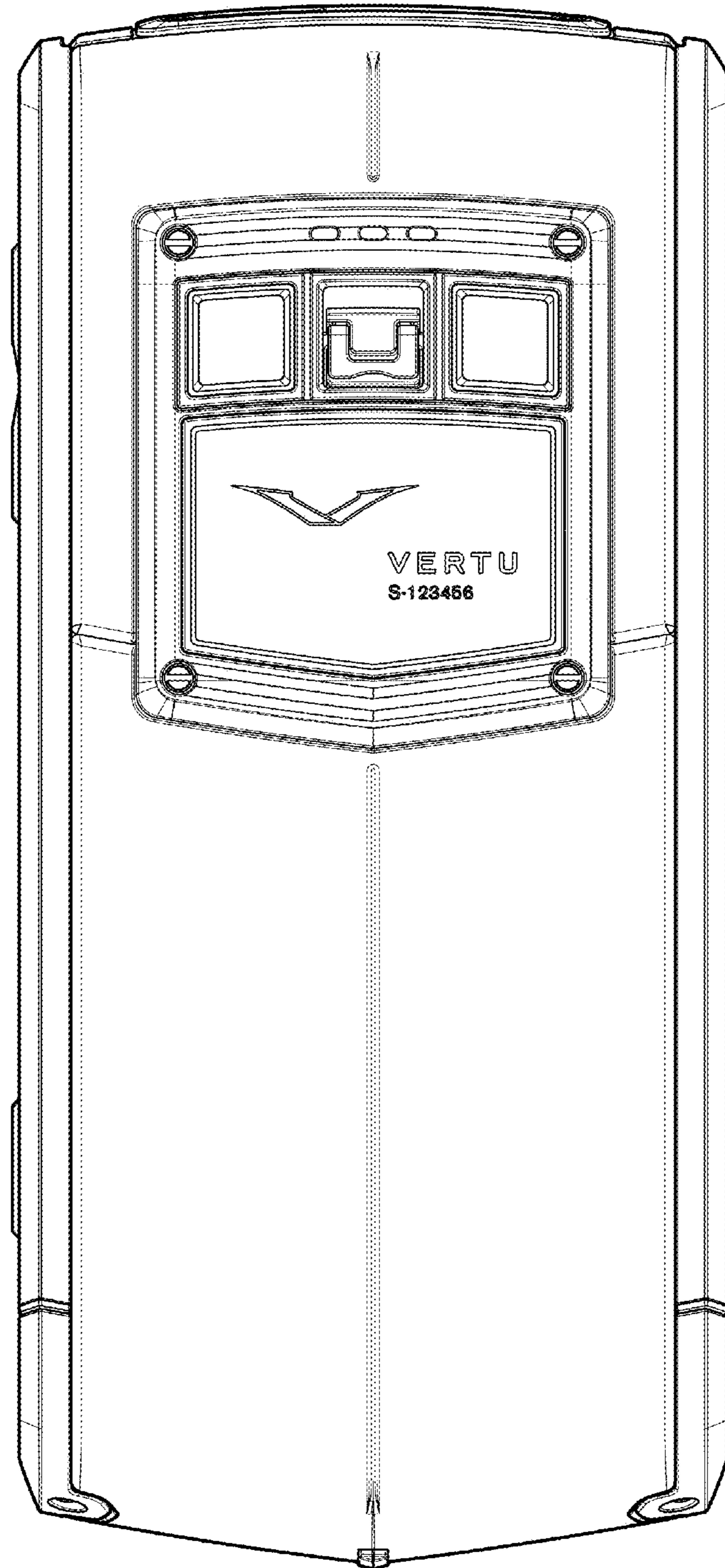


FIG. 10

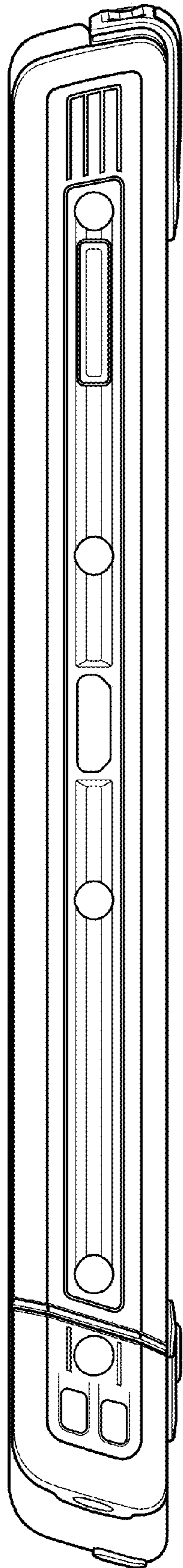


FIG. 11

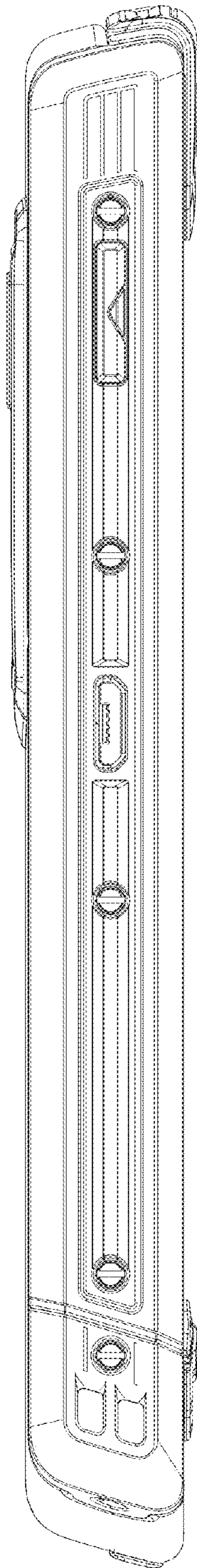


FIG. 12

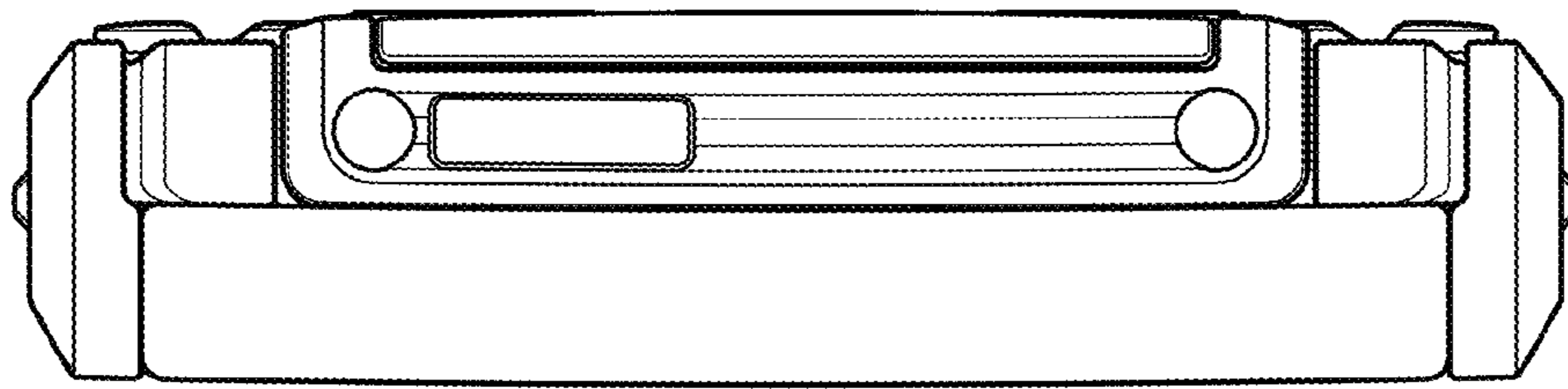


FIG. 13

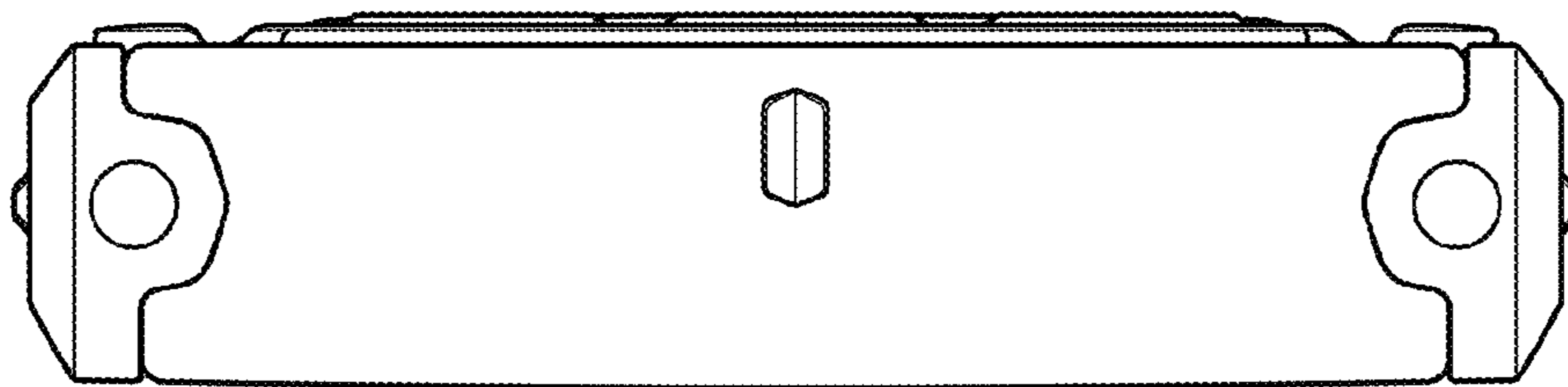


FIG. 14