

US00D688641S

(12) **United States Design Patent**  
**Oh**

(10) **Patent No.:** **US D688,641 S**

(45) **Date of Patent:** **\*\* Aug. 27, 2013**

(54) **MOBILE TERMINAL**

D601,530 S \* 10/2009 Park et al. .... D14/138 AA

(Continued)

(75) Inventor: **Min-A Oh**, Seoul (KR)

**OTHER PUBLICATIONS**

(73) Assignee: **Samsung Electronics Co., Ltd.**,  
Suwon-si (KR)

Samsung Gravity TXT Review, Uploaded on Aug 30, 2011,  
Uploaded by PhoneArena [online], [site visited Jan. 2, 2013]. Avail-  
able from Internet, <URL: [http://www.youtube.com/  
watch?v=Bx5VbweYG68](http://www.youtube.com/watch?v=Bx5VbweYG68)>.\*

(\*\*) Term: **14 Years**

(Continued)

(21) Appl. No.: **29/425,651**

(22) Filed: **Jun. 26, 2012**

*Primary Examiner* — Jeffrey D Asch

(74) *Attorney, Agent, or Firm* — NSIP Law

(30) **Foreign Application Priority Data**

Jan. 13, 2012 (KR) ..... 30-2012-0001863

(51) **LOC (9) Cl.** ..... **14-03**

(52) **U.S. Cl.**  
USPC ..... **D14/138 AA; D14/138 AD**

(58) **Field of Classification Search**  
USPC ..... D14/138 G, 138 AD, 341, 346, 138 R,  
D14/138 AA, 496, 203.1, 203.4, 203.7, 248,  
D14/218; 455/575.1, 556.2, 575.3, 575.4;  
D21/517; 379/433.01, 433.04, 433.12, 433.13;  
D10/65, 78, 104; D13/168  
See application file for complete search history.

(57) **CLAIM**

The ornamental design for a mobile terminal, as shown and described.

**DESCRIPTION**

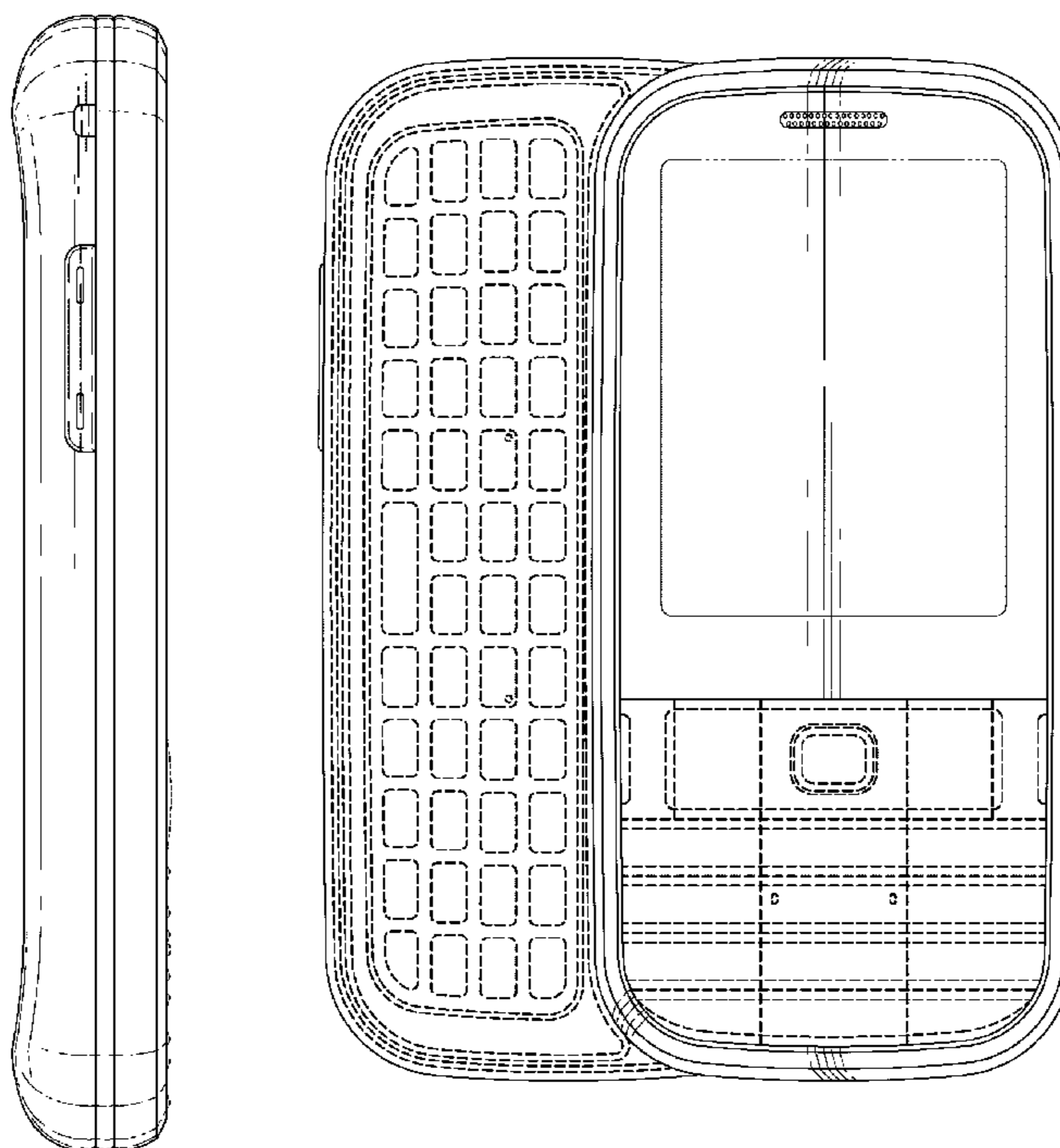
FIG. 1 is a front perspective view of a mobile terminal;  
FIG. 2 is a front view of the mobile terminal of FIG. 1;  
FIG. 3 is a rear view of the mobile terminal of FIG. 1;  
FIG. 4 is a left-side view of the mobile terminal of FIG. 1;  
FIG. 5 is a right-side view of the mobile terminal of FIG. 1;  
FIG. 6 is a top plan view of the mobile terminal of FIG. 1;  
FIG. 7 is a bottom plan view of the mobile terminal of FIG. 1;  
and,  
FIG. 8 is an open front view of the mobile terminal of FIG. 1.  
Features shown in broken lines in FIGS. 1, 2, 4, 5, 6, 7, and 8  
form no part of the claimed design. The keypad region at the  
lower portion of the front in FIGS. 1, 2, and 8 and the interior  
surface in FIG. 8, both of which encompass broken line  
showings and are defined by solid line boundaries, form no  
part of the claimed design.

(56) **References Cited**

**U.S. PATENT DOCUMENTS**

D524,786	S	*	7/2006	Paradise et al.	.....	D14/138 AA
D559,222	S	*	1/2008	Chen	.....	D14/138 AA
D573,970	S	*	7/2008	Park	.....	D14/138 AA
D583,352	S	*	12/2008	Son et al.	.....	D14/138 AA
D593,052	S	*	5/2009	Hung	.....	D14/138 AA
D597,540	S	*	8/2009	Schellen	.....	D14/248
D601,117	S	*	9/2009	Hong et al.	.....	D14/138 AA

**1 Claim, 6 Drawing Sheets**



(56)

**References Cited**

U.S. PATENT DOCUMENTS

D601,531	S	*	10/2009	Lee et al.	.....	D14/138 AA
D601,533	S	*	10/2009	Youn et al.	.....	D14/138 AA
D601,536	S	*	10/2009	Chambers	.....	D14/138 AA
D605,644	S	*	12/2009	Stone et al.	.....	D14/248
D609,664	S	*	2/2010	Lee et al.	.....	D14/138 AA
D610,122	S	*	2/2010	Kim et al.	.....	D14/138 AA
D610,123	S	*	2/2010	Youn et al.	.....	D14/138 AA
D610,564	S	*	2/2010	Schellen	.....	D14/138 AA
D614,599	S	*	4/2010	Kim et al.	.....	D14/138 AA
D615,520	S	*	5/2010	Kim et al.	.....	D14/138 AA
D620,466	S	*	7/2010	Kim et al.	.....	D14/138 AA
D623,161	S	*	9/2010	Kwon et al.	.....	D14/138 AA
D647,500	S	*	10/2011	Kim	.....	D14/138 AA
D647,872	S	*	11/2011	Cho et al.	.....	D14/138 AA
D652,012	S	*	1/2012	Jung et al.	.....	D14/138 AA
D660,277	S	*	5/2012	Park et al.	.....	D14/138 AA

OTHER PUBLICATIONS

Samsung Gravity TXT T379 telephone, announced Aug. 2011, [online], [site visited Dec. 13, 2012]. Available from Internet, <URL:

[http://www.gsmarena.com/samsung\\_gravity\\_txt\\_t379-4123.php](http://www.gsmarena.com/samsung_gravity_txt_t379-4123.php)>.\*

Samsung Array M390 telephone, announced Aug. 2012, [online], [site visited Jan. 2, 2013]. Available from Internet, <URL: [http://www.gsmarena.com/samsung\\_array\\_m390-4909.php](http://www.gsmarena.com/samsung_array_m390-4909.php)>.\*

Samsung T459 Gravity telephone, announced Nov. 2008, [online], [site visited Dec. 13, 2012]. Available from Internet, <URL: [http://www.gsmarena.com/samsung\\_t459\\_gravity-2588.php](http://www.gsmarena.com/samsung_t459_gravity-2588.php)>.\*

Samsung U450 Intensity telephone, announced Jul. 2009, [online], [site visited Dec. 13, 2012]. Available from Internet, <URL: [http://www.gsmarena.com/samsung\\_u450\\_intensity-3471.php](http://www.gsmarena.com/samsung_u450_intensity-3471.php)>.\*

Nokia 5730 XpressMusic telephone, announced Mar. 2009, [online], [site visited Dec. 13, 2012]. Available from Internet, <URL: [http://www.gsmarena.com/nokia\\_5730\\_xpressmusic-2743.php](http://www.gsmarena.com/nokia_5730_xpressmusic-2743.php)>.\*

LG Cosmos 2 telephone, announced Jul. 2011, [online], [site visited Dec. 13, 2012]. Available from Internet, <URL: [http://www.gsmarena.com/lg\\_cosmos\\_2-4074.php](http://www.gsmarena.com/lg_cosmos_2-4074.php)>.\*

Samsung W169 Duos telephone, announced 2010, [online], [site visited Dec. 13, 2012]. Available from Internet, <URL: [http://www.gsmarena.com/samsung\\_w169\\_duos-3744.php](http://www.gsmarena.com/samsung_w169_duos-3744.php)>.\*

\* cited by examiner

FIG. 1

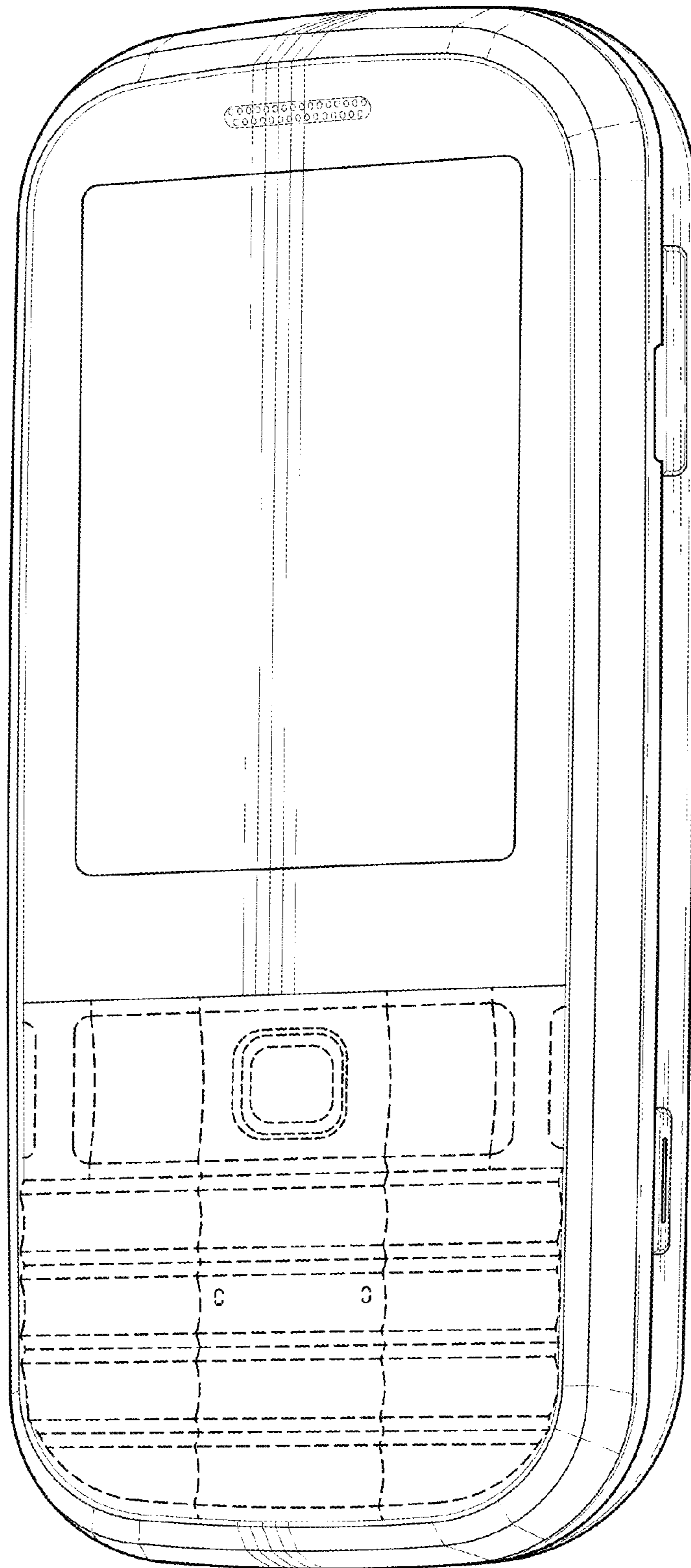


FIG. 2

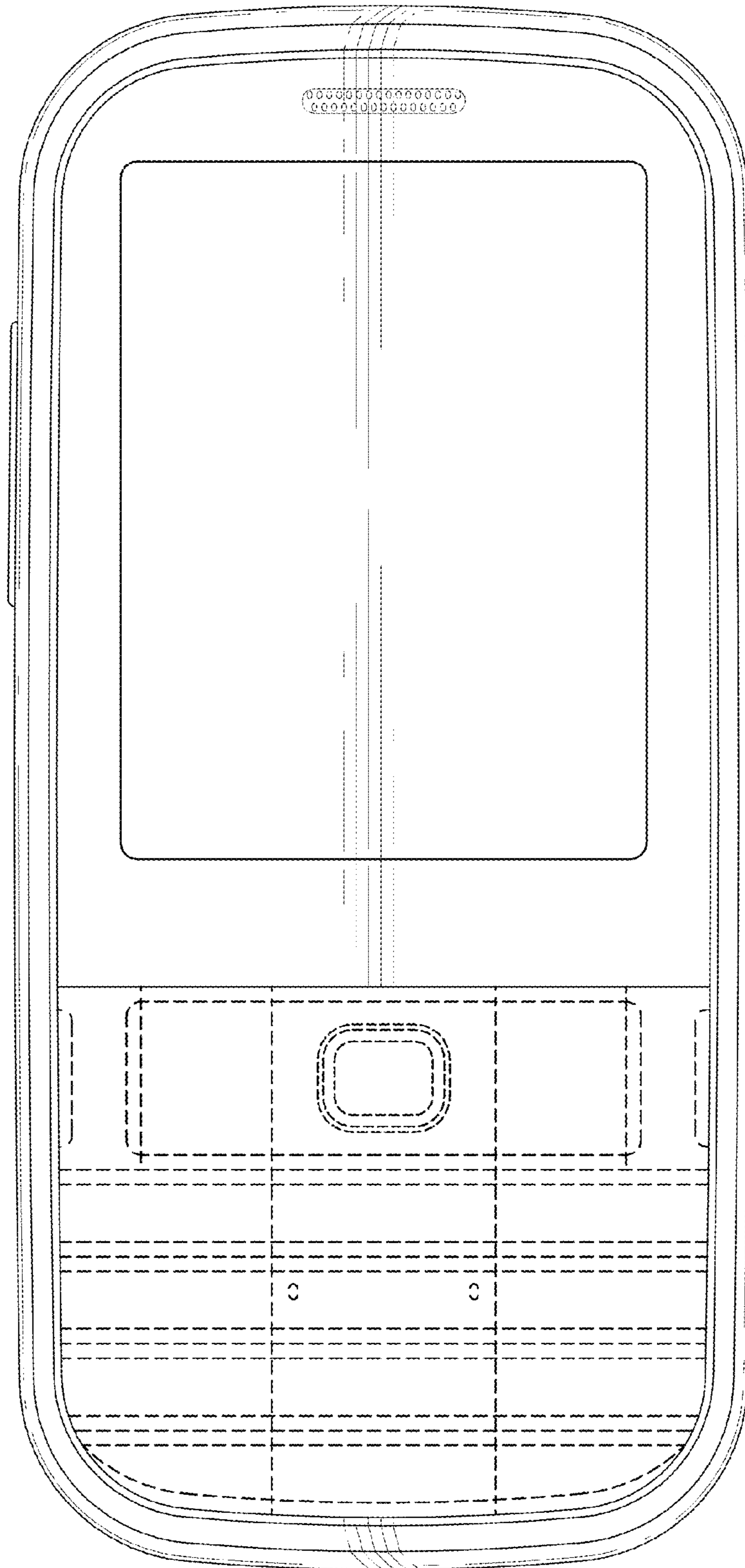


FIG. 3

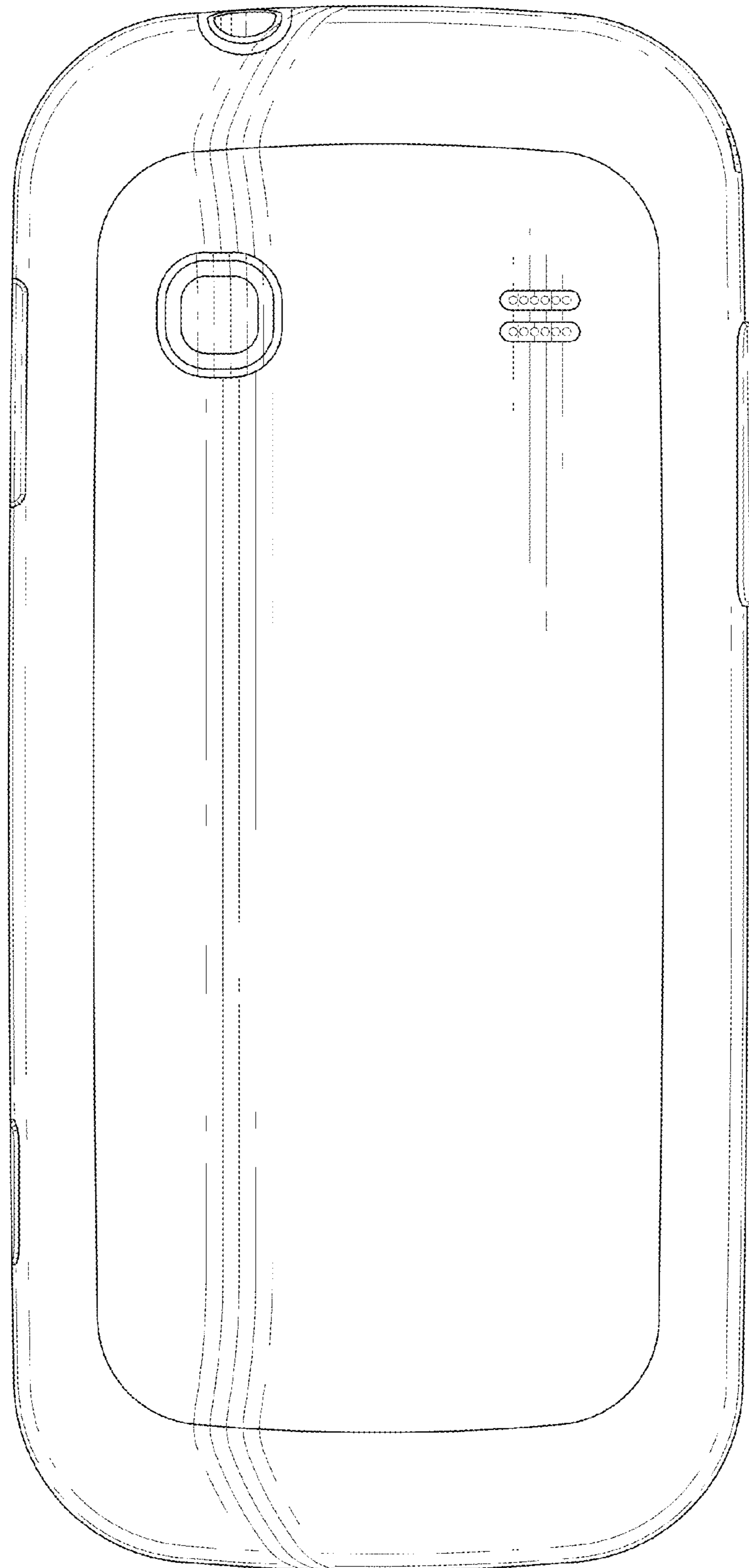


FIG. 4

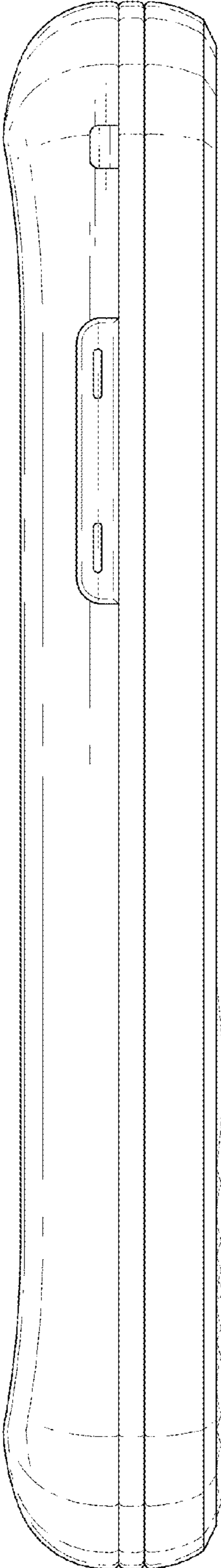


FIG. 5

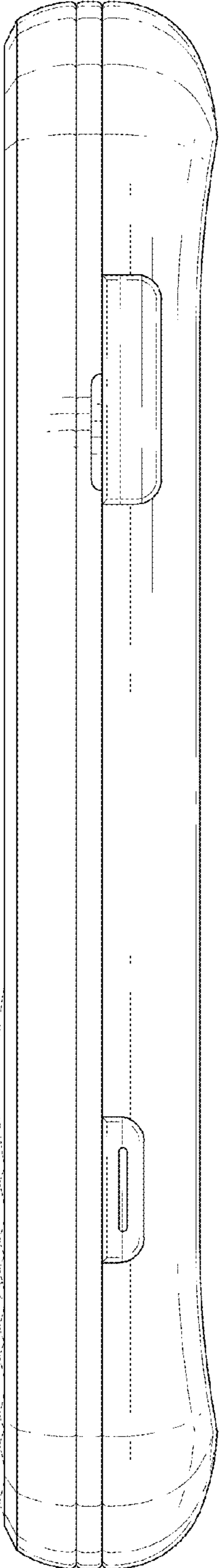


FIG. 6

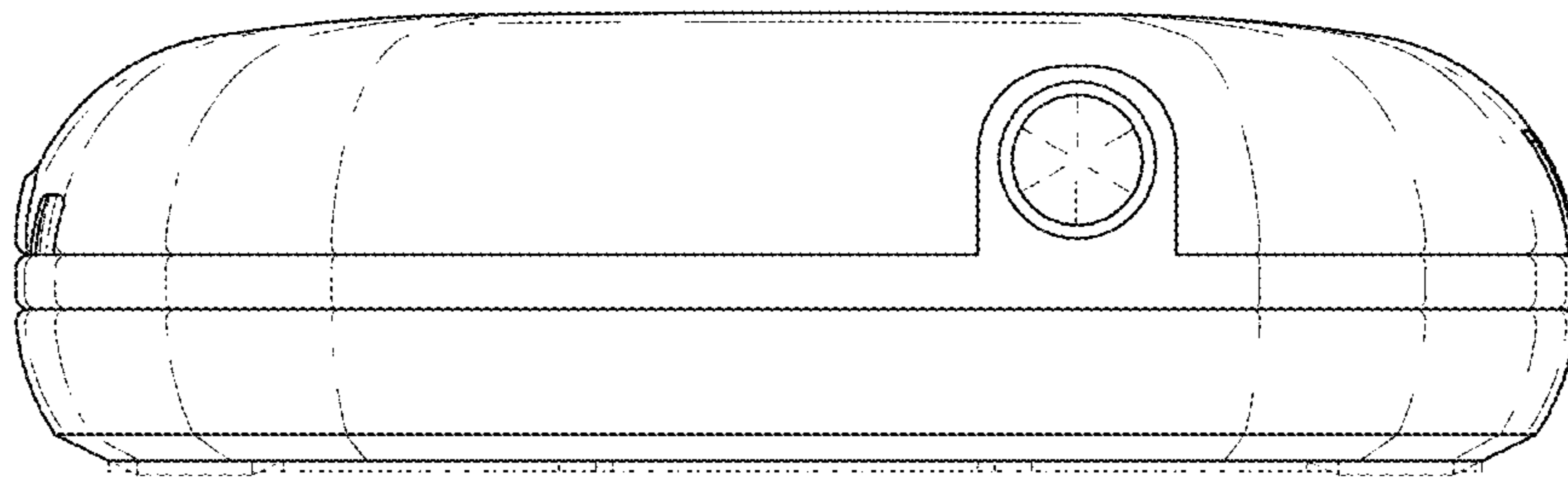


FIG. 7

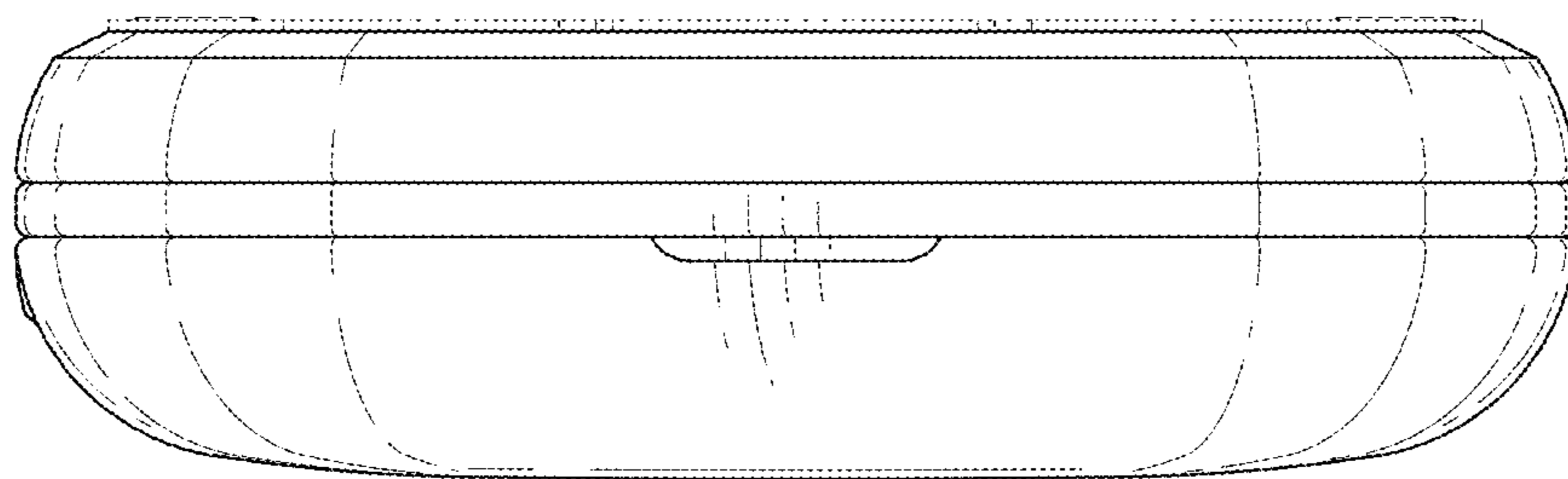


FIG. 8

