



US00D688637S

(12) **United States Design Patent**  
**Matsuhisa et al.**

(10) **Patent No.:** **US D688,637 S**

(45) **Date of Patent:** **\*\* Aug. 27, 2013**

(54) **ELECTROLUMINESCENCE MODULE**

(75) Inventors: **Yuko Matsuhisa**, Osaka (JP); **Takao Miyai**, Hirakata (JP); **Hiroyuki Sasaki**, Katano (JP); **Koki Fujihara**, Tsubame (JP); **Takeo Shirai**, Osaka (JP); **Shingo Houzumi**, Himeji (JP)

(73) Assignee: **Panasonic Corporation**, Kadoma-shi (JP)

(\*\*) Term: **14 Years**

(21) Appl. No.: **29/401,095**

(22) Filed: **Sep. 7, 2011**

(51) **LOC (9) Cl.** ..... **13-03**

(52) **U.S. Cl.**  
USPC ..... **D13/180**; D13/182

(58) **Field of Classification Search**  
USPC ..... D13/180, 182; 174/254; 257/40, 257/66, 72, 79; 313/483, 494, 504, 506, 313/512; 315/169.3; 345/76, 82; 445/25; 428/690; 438/99, 460; 427/66  
See application file for complete search history.

(56) **References Cited**

**U.S. PATENT DOCUMENTS**

7,741,135	B2 *	6/2010	Lee	.....	438/30
D632,657	S *	2/2011	Fujihara et al.	.....	D13/180
D633,054	S *	2/2011	Fujihara et al.	.....	D13/180
D633,055	S *	2/2011	Fujihara et al.	.....	D13/180
D633,056	S *	2/2011	Fujihara et al.	.....	D13/180
D633,057	S *	2/2011	Fujihara et al.	.....	D13/180
D633,450	S *	3/2011	Fujihara et al.	.....	D13/180
D633,451	S *	3/2011	Fujihara et al.	.....	D13/180

8,030,845	B2 *	10/2011	Itai	.....	313/512
2001/0019245	A1 *	9/2001	Ohshita et al.	.....	313/506
2004/0051449	A1 *	3/2004	Klausmann et al.	.....	313/512
2008/0303408	A1 *	12/2008	Yamazaki et al.	.....	313/498

\* cited by examiner

*Primary Examiner* — Selina Sikder

(74) *Attorney, Agent, or Firm* — Marvin A. Motsenbocker; Motts Law, PLLC

(57) **CLAIM**

The ornamental design for an electroluminescence module, as shown and described.

**DESCRIPTION**

FIG. 1 is a front perspective view of an electroluminescence module;

FIG. 2 is a front view thereof;

FIG. 3 is a left side view thereof;

FIG. 4 is a top plan view thereof;

FIG. 5 is a bottom plan view thereof;

FIG. 6 is a rear view thereof;

FIG. 7 is a reference view thereof, in which hatching indicates translucent portions of the claimed design; and,

FIG. 8 is an enlarged sectional view thereof taken along line 8a-8a between line 8b-8b shown in FIG. 2.

A right side view of the electroluminescence module is a mirror image of the left side view shown in FIG. 3, and therefore omitted.

The dot-dash lines in FIGS. 1, 2 and 6 represent the bounds of the claimed design.

The portions of the article in broken lines are shown for illustrative purposes only and form no part of the claimed design.

**1 Claim, 8 Drawing Sheets**

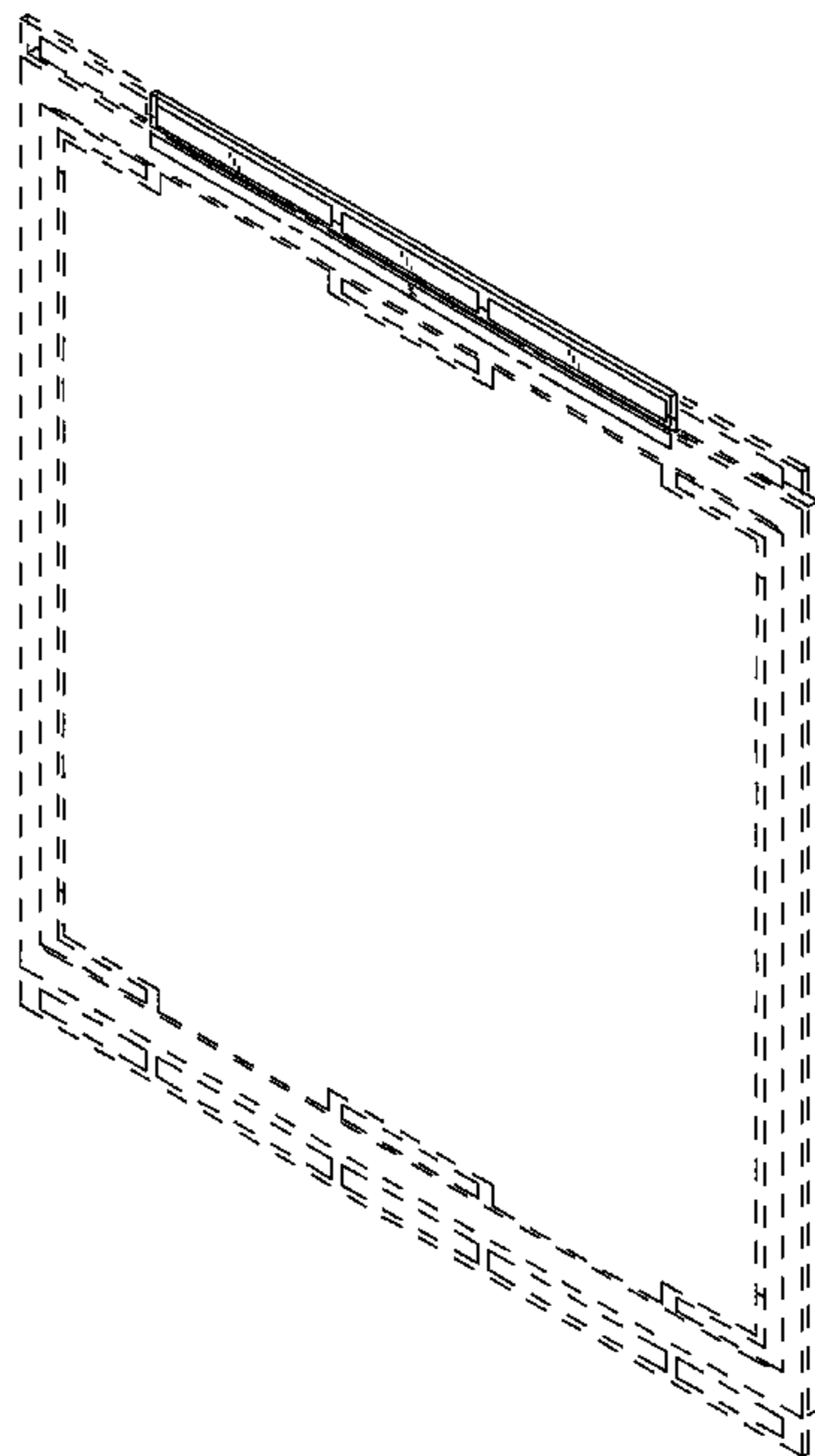


Fig. 1

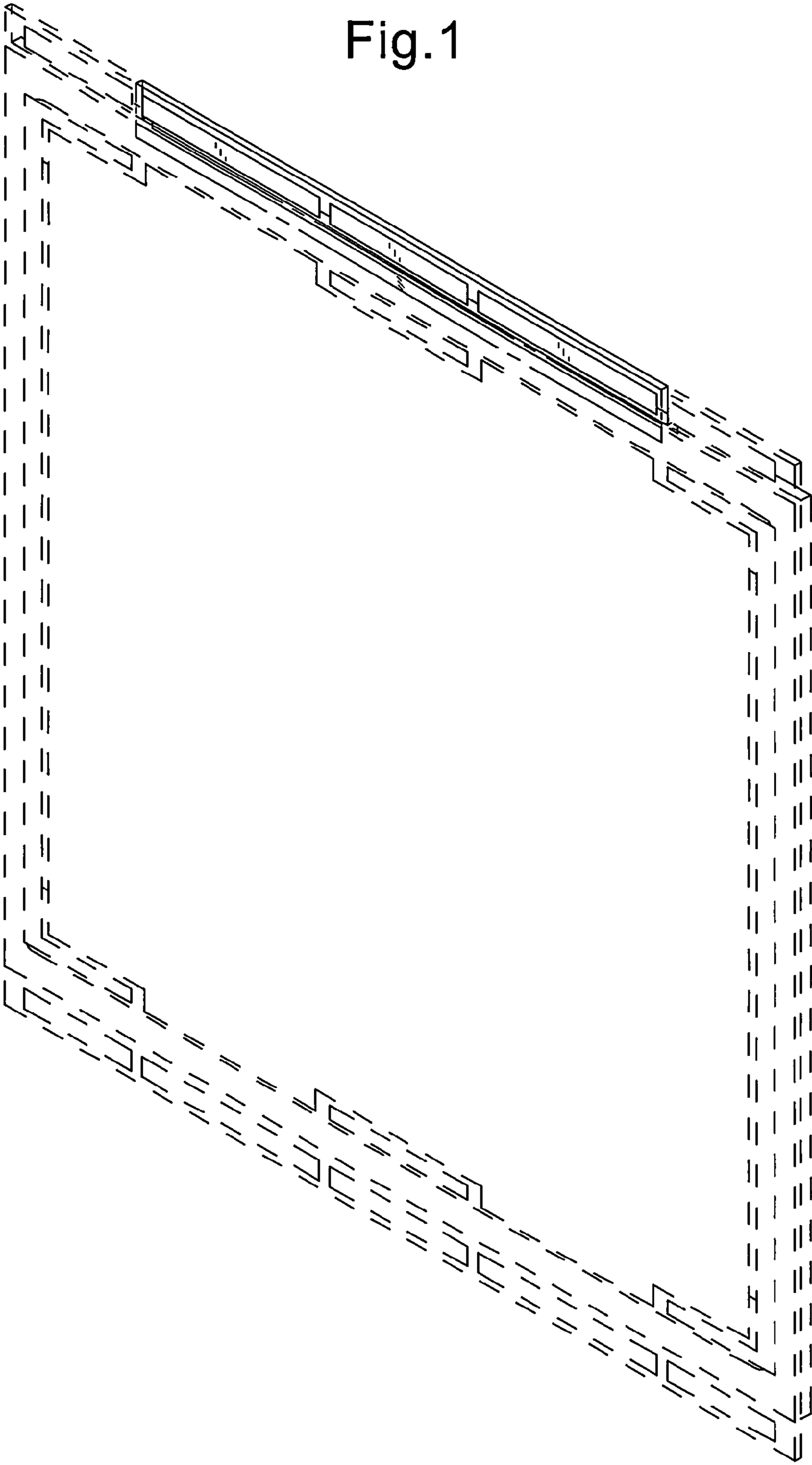


Fig.2

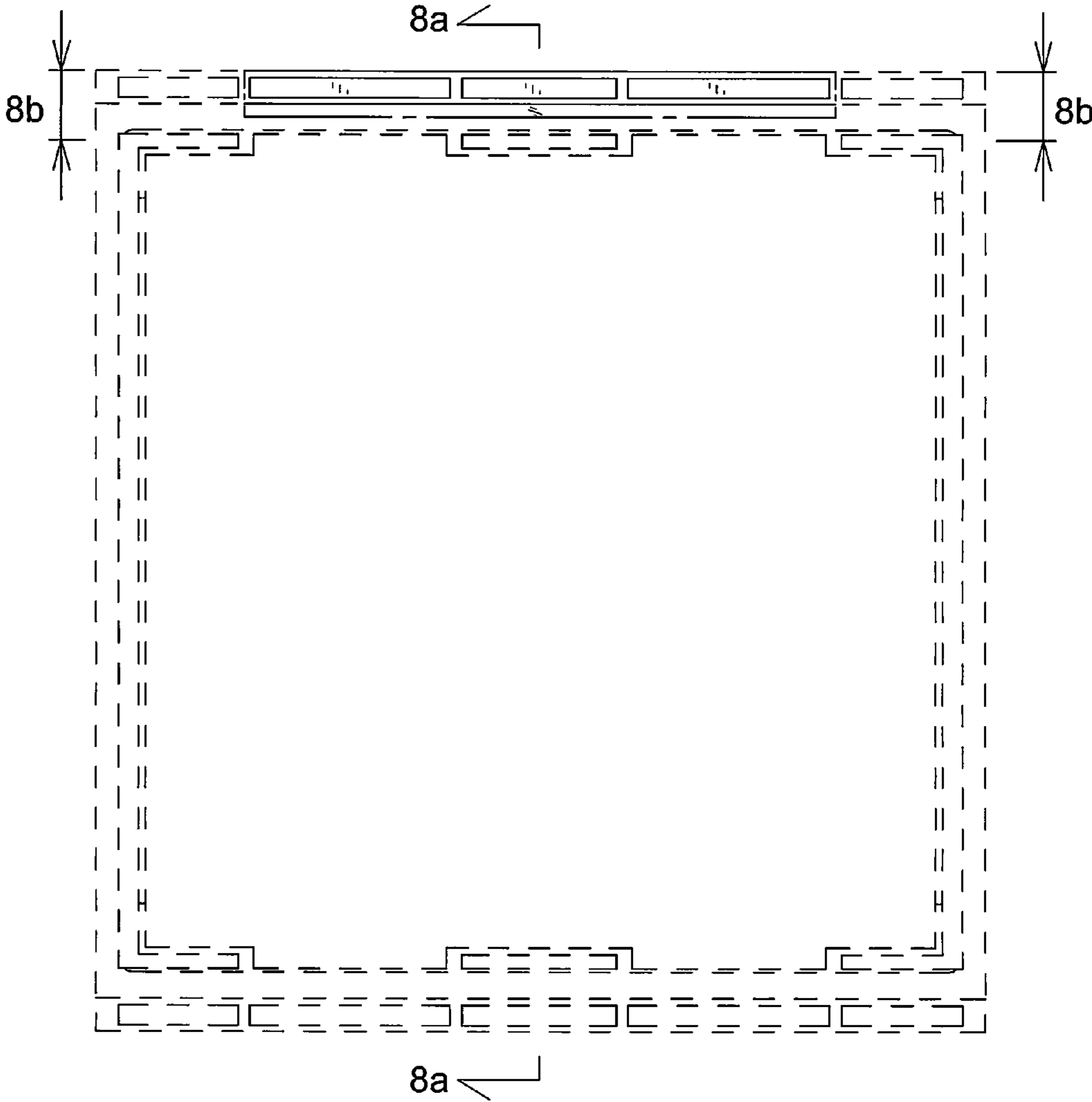


Fig.3



Fig.4

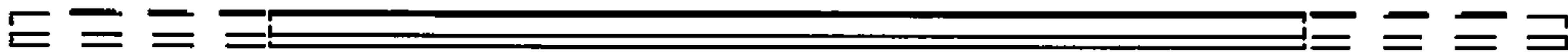


Fig.5

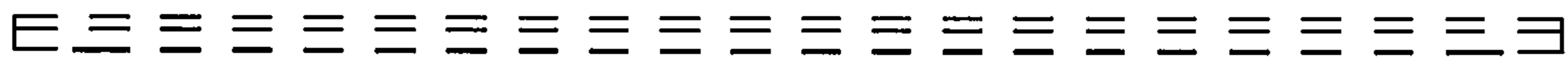


Fig.6

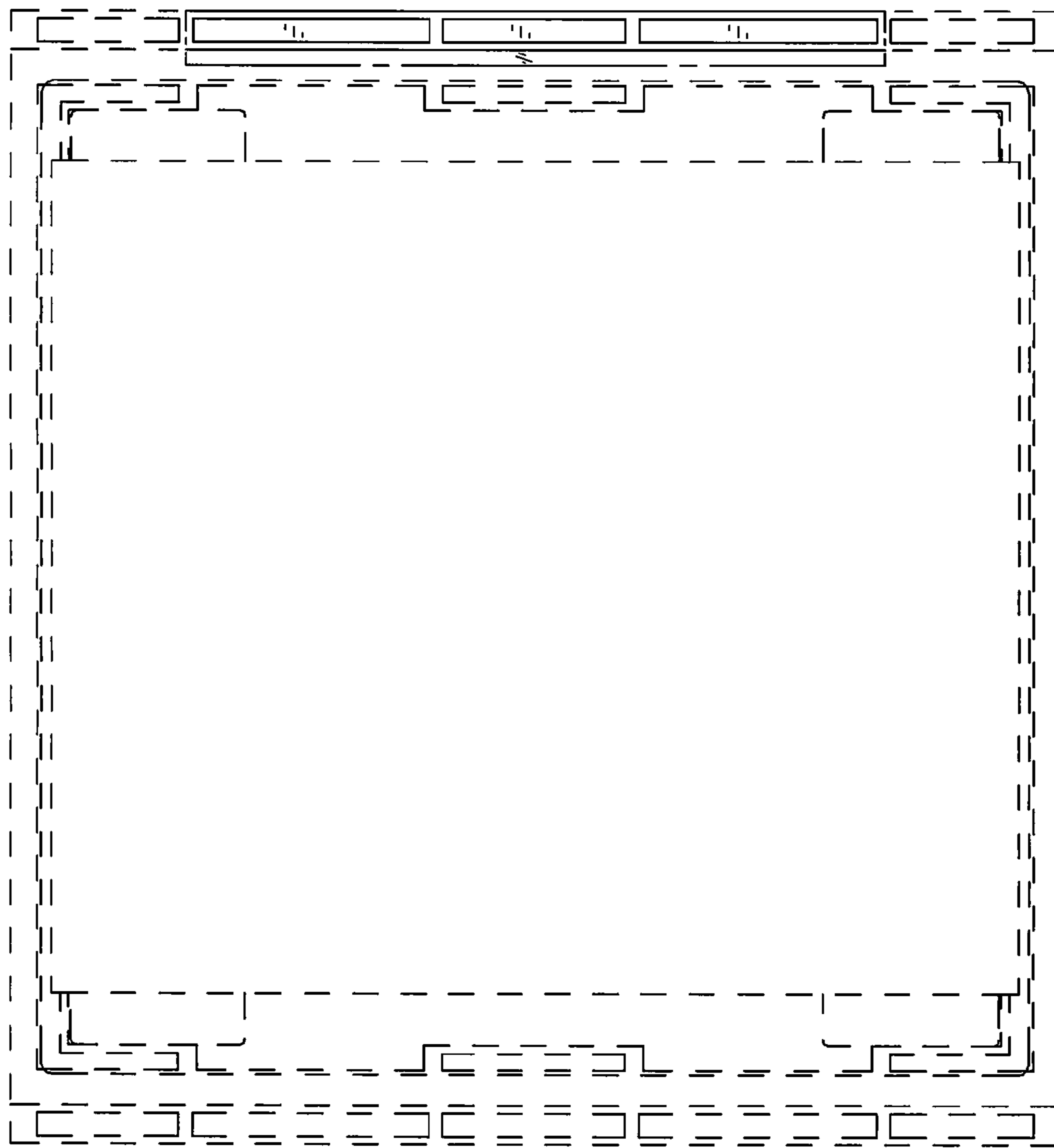


Fig.7

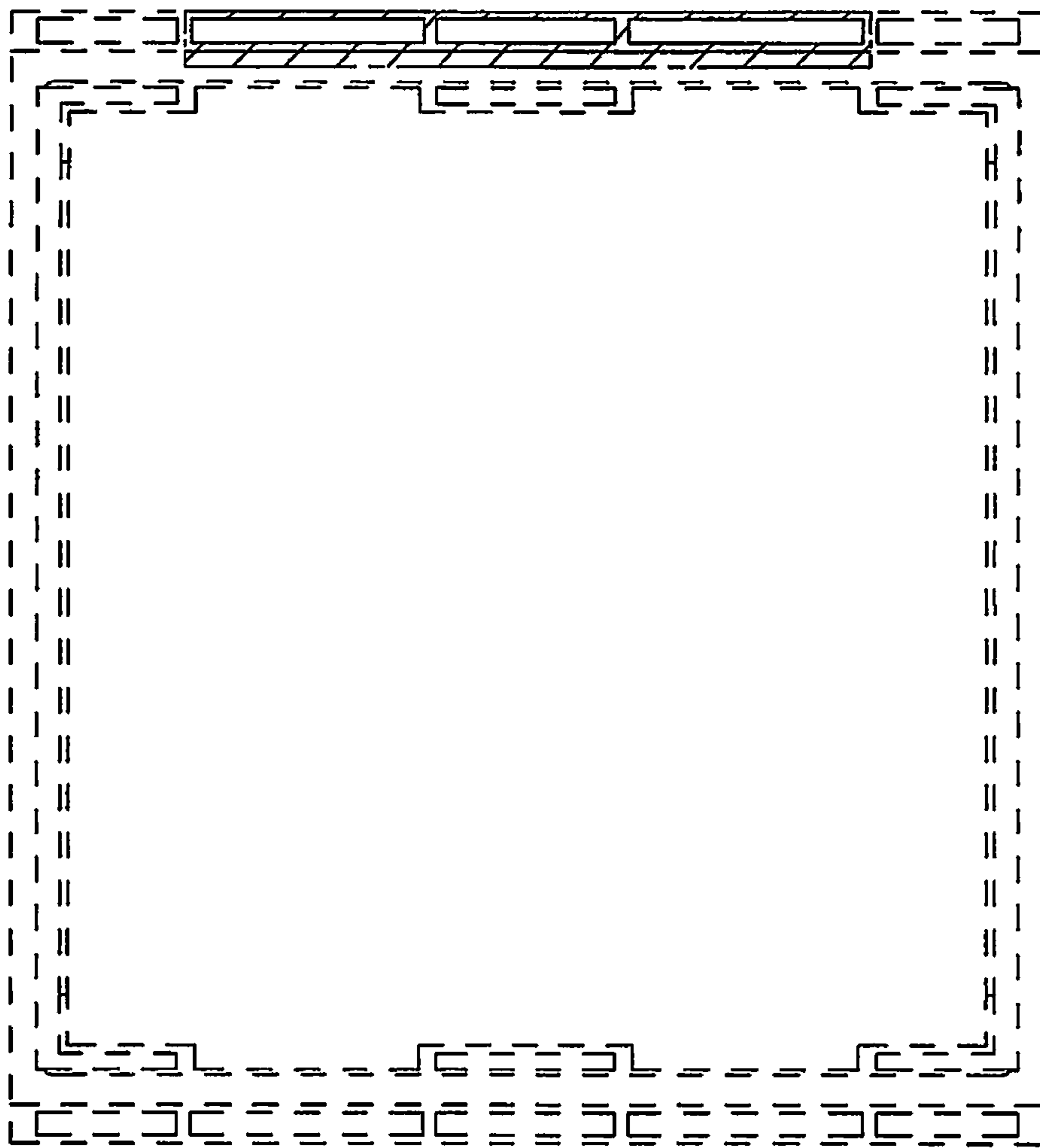




Fig.8

