



US00D688635S

(12) **United States Design Patent**  
**Ni et al.**

(10) **Patent No.:** **US D688,635 S**  
(45) **Date of Patent:** **\*\* Aug. 27, 2013**

(54) **KEYLESS ENTRY REMOTE**

(75) Inventors: **Ching-Chang Ni**, New Taipei (TW);  
**Tzu-Cheng Yu**, Santa Clara, CA (US);  
**Hong-Xiu Luo**, Shenzhen (CN);  
**Ho-Chyuan Su**, New Taipei (TW)

(73) Assignee: **Chi Mei Communication Systems, Inc.**, New Taipei (TW)

(\*\*) Term: **14 Years**

(21) Appl. No.: **29/419,227**

(22) Filed: **Apr. 26, 2012**

(30) **Foreign Application Priority Data**

Mar. 22, 2012 (CN) ..... 2012 3 0071081

(51) **LOC (9) Cl.** ..... **14-03**

(52) **U.S. Cl.**  
USPC ..... **D13/168**

(58) **Field of Classification Search**

USPC ..... D13/168; D10/104.1, 106.1; D3/207,  
D3/208; D8/347; 200/302.2; 307/10.1;  
341/176; 340/4.3, 4.42, 5.61, 5.64, 12.22,  
340/12.23, 12.24, 12.29, 12.3, 13.2, 13.21,  
340/13.24; 700/17, 65, 83; 701/2  
See application file for complete search history.

(56) **References Cited**

**U.S. PATENT DOCUMENTS**

D377,458 S \* 1/1997 Tsui ..... D10/104.1  
D400,115 S \* 10/1998 Yaron et al. .... D10/104.1  
D405,424 S \* 2/1999 Winkler et al. .... D13/168  
D409,578 S \* 5/1999 Jones ..... D13/168  
7,050,292 B2 \* 5/2006 Shimura et al. .... 361/679.01  
D528,990 S \* 9/2006 Li ..... D13/168  
D548,196 S \* 8/2007 Bonnaud ..... D13/168

7,290,419 B2 \* 11/2007 Balko et al. .... 70/456 R  
D556,701 S \* 12/2007 Nohara et al. .... D13/168  
D558,785 S \* 1/2008 Kofford ..... D14/496  
D576,960 S \* 9/2008 Aldape et al. .... D13/168  
7,463,134 B1 \* 12/2008 Stilley ..... 340/5.61  
D597,878 S \* 8/2009 Aikawa ..... D10/104.1  
7,598,462 B2 \* 10/2009 Burca et al. .... 174/564  
D638,806 S \* 5/2011 Kim et al. .... D13/168  
D639,547 S \* 6/2011 Stefanov ..... D3/207  
8,072,766 B2 \* 12/2011 Shimura et al. .... 361/752  
8,225,633 B2 \* 7/2012 Luo et al. .... 70/456 R  
D670,255 S \* 11/2012 Clark et al. .... D13/168  
D671,505 S \* 11/2012 Clark et al. .... D13/168  
2004/0099430 A1 \* 5/2004 Scudder ..... 174/52.3  
2008/0087062 A1 \* 4/2008 Chen ..... 70/456 R

\* cited by examiner

*Primary Examiner* — Selina Sikder

(74) *Attorney, Agent, or Firm* — Altis Law Group, Inc.

(57) **CLAIM**

The ornamental design for a keyless entry remote, as shown.

**DESCRIPTION**

This application is related to co-pending U.S. patent application Ser. Nos. 29/419,225, 29/419,228, 29/419,229, and 29/419,230, entitled “Keyless Entry Remote”. These applications have the same assignee as the present application. The above-identified applications are incorporated herein by reference.

FIG. 1 is a perspective view of a keyless entry remote showing our new design;

FIG. 2 is a front elevational view thereof;

FIG. 3 is a rear elevational view thereof;

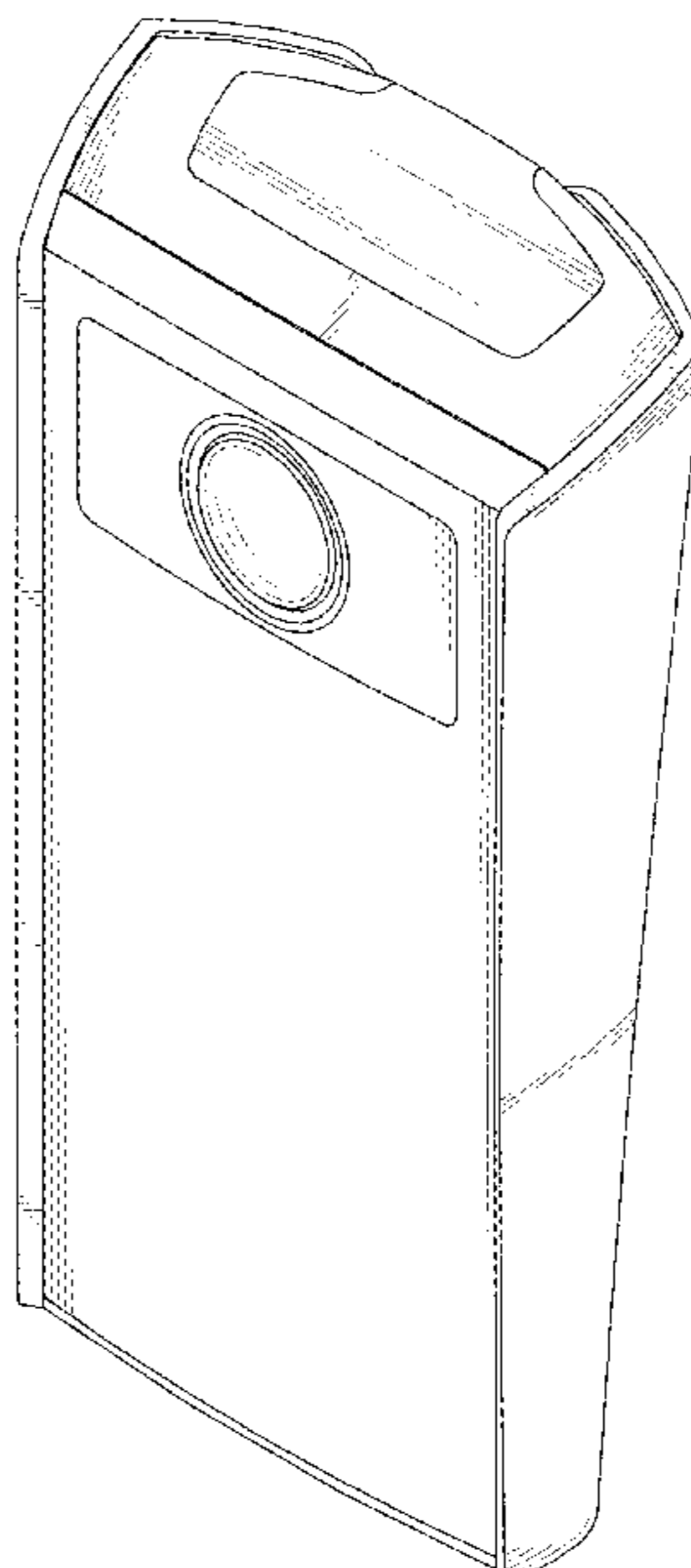
FIG. 4 is a left side elevational view thereof;

FIG. 5 is a right side elevational view thereof;

FIG. 6 is a top plan view thereof; and,

FIG. 7 is a bottom plan view thereof.

**1 Claim, 7 Drawing Sheets**



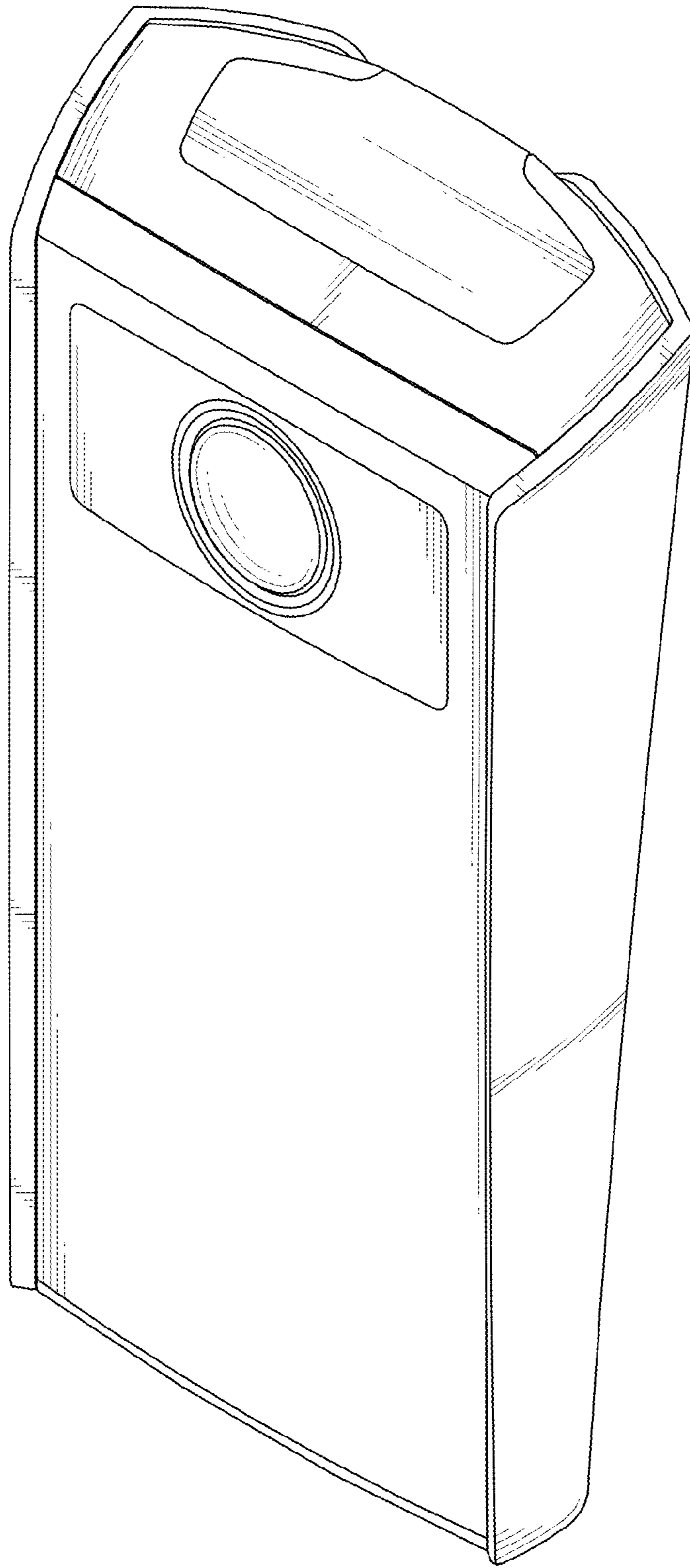


FIG. 1

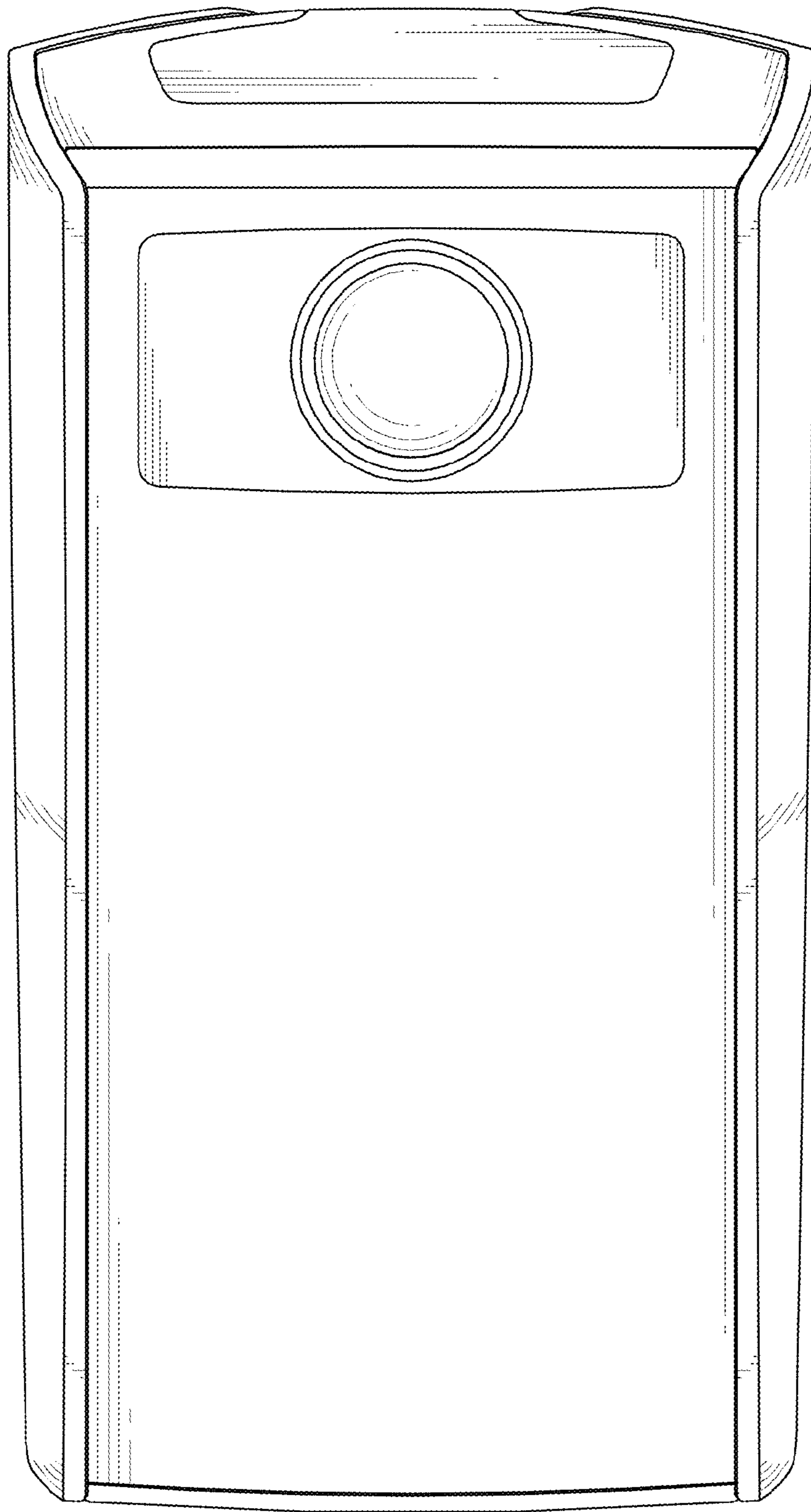


FIG. 2

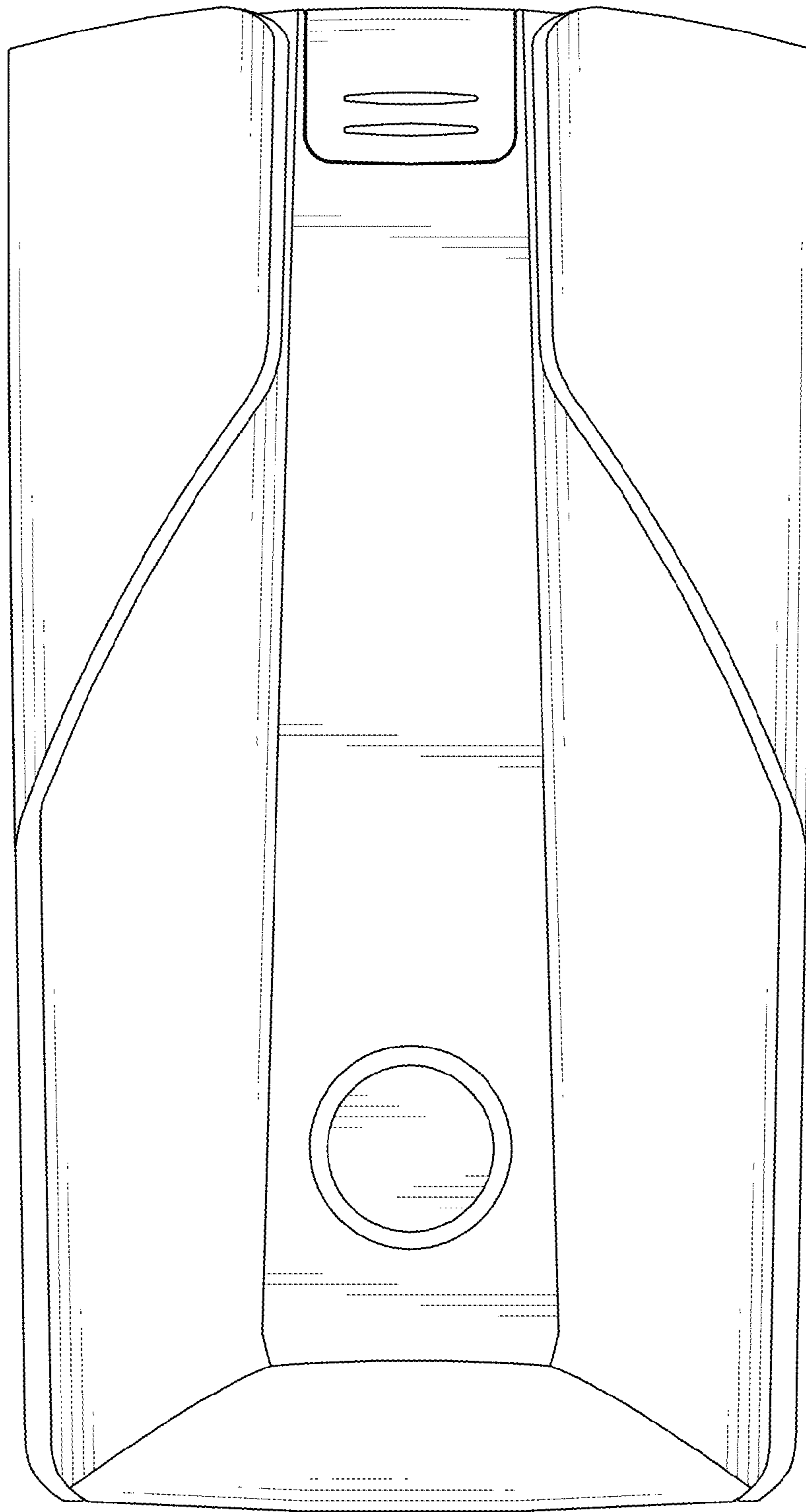


FIG. 3

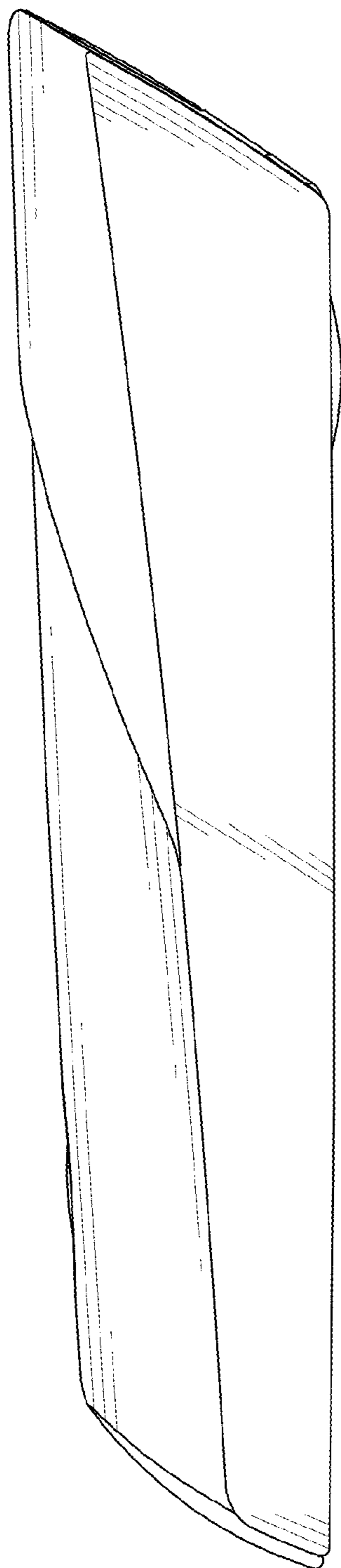


FIG. 4

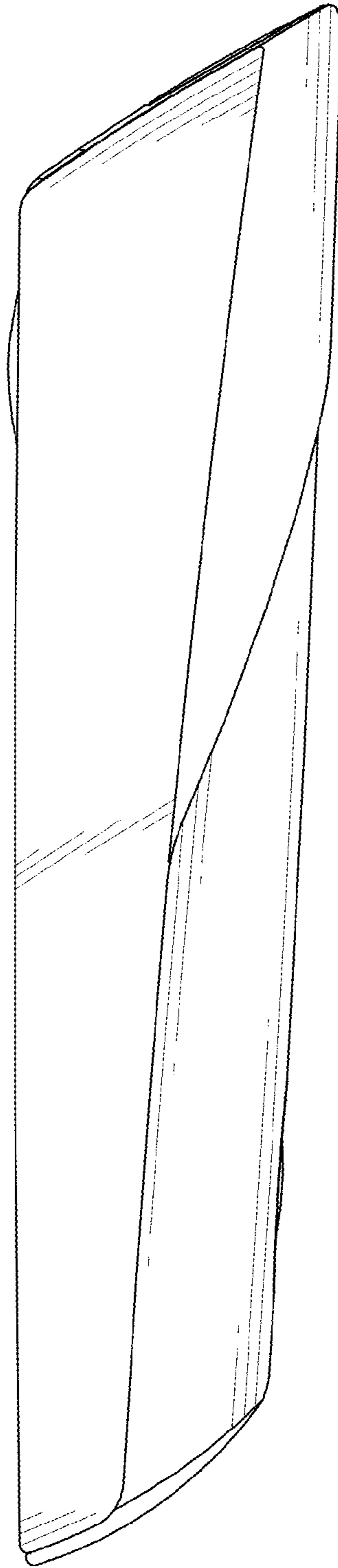


FIG. 5

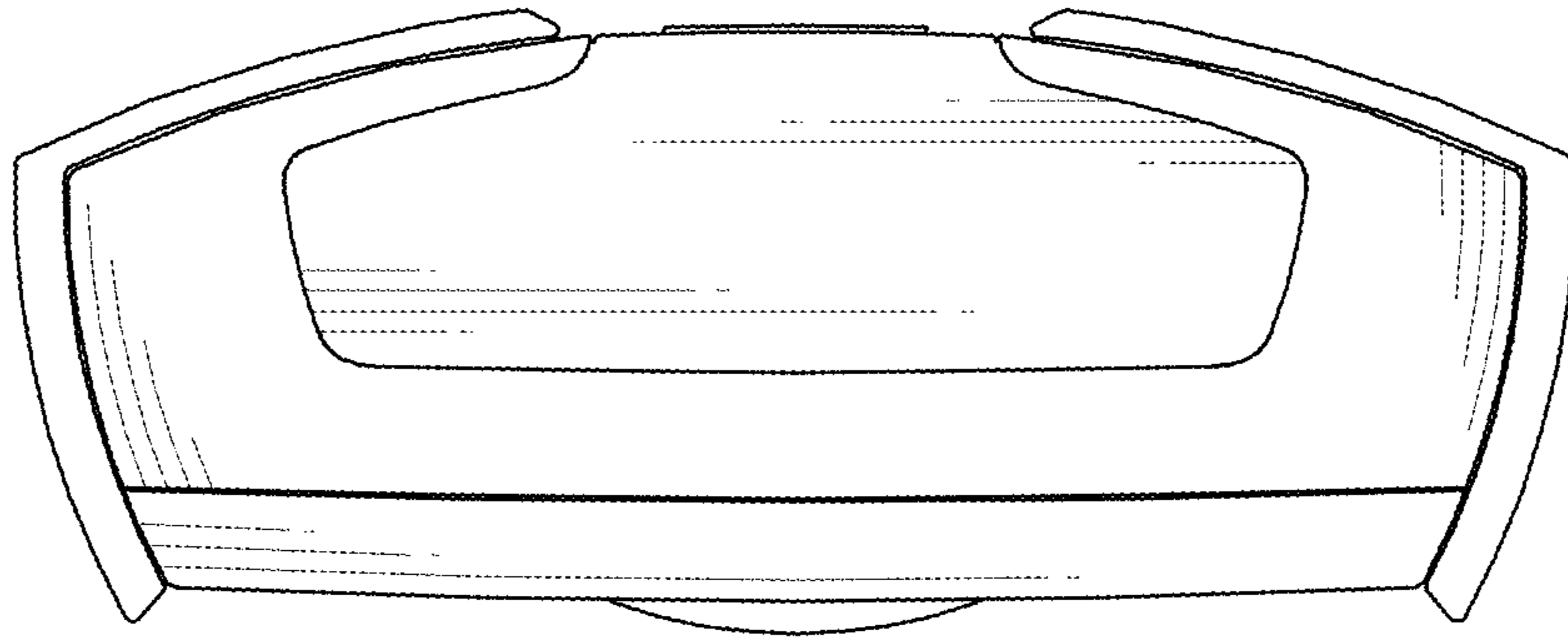


FIG. 6

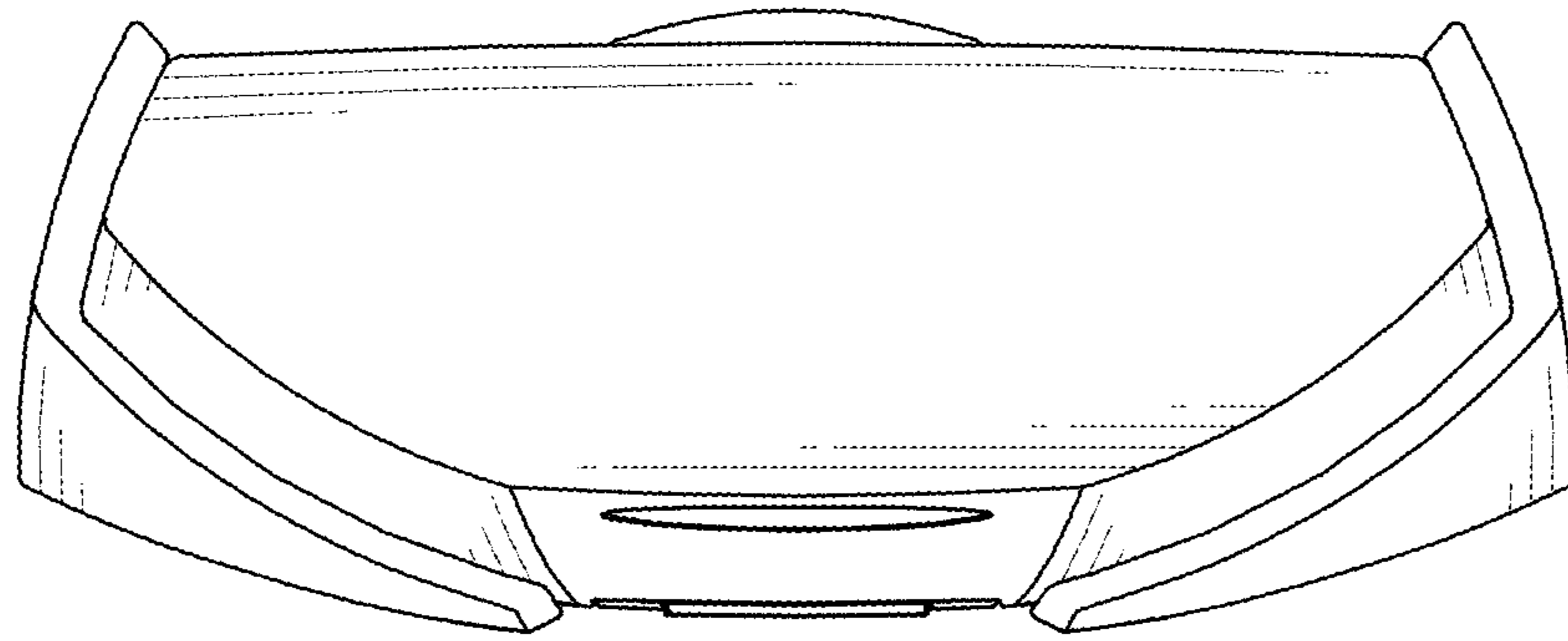


FIG. 7