



US00D688631S

(12) **United States Design Patent**
Ku et al.

(10) **Patent No.:** **US D688,631 S**

(45) **Date of Patent:** **** Aug. 27, 2013**

(54) **FACE PLATE**

(71) Applicants: **Ying-Ming Ku**, Taoyuan (TW);
Chun-Chieh Chen, Taoyuan (TW)

(72) Inventors: **Ying-Ming Ku**, Taoyuan (TW);
Chun-Chieh Chen, Taoyuan (TW)

(73) Assignee: **YFC-Boneagle Electric Co., Ltd.**,
Taoyuan (TW)

(**) Term: **14 Years**

(21) Appl. No.: **29/436,403**

(22) Filed: **Nov. 6, 2012**

(51) **LOC (9) Cl.** **13-03**

(52) **U.S. Cl.**
USPC **D13/156**

(58) **Field of Classification Search**

USPC D13/137.1, 137.2, 138.1, 138.2,
D13/138.3, 138.4, 139.1–139.8, 146, 152,
D13/154, 156, 158, 169, 170, 173, 177;
D14/432, 433; D8/350, 352, 353, 404;
174/50.51, 50.52, 53, 54, 55, 56, 58, 59,
174/66, 67, 350, 505, 521, 559, 560, 561;
439/133, 147, 373, 535, 536, 544, 555, 607.05,
439/607.12, 607.53, 620.29, 676, 678, 679,
439/893

See application file for complete search history.

(56) **References Cited**

U.S. PATENT DOCUMENTS

5,131,535	A *	7/1992	O'Connor et al.	206/722
5,217,190	A *	6/1993	Reed et al.	248/27.3
5,302,139	A *	4/1994	Starsja	439/544
D360,350	S *	7/1995	House et al.	D8/353
D375,249	S *	11/1996	Scherer et al.	D8/353
5,599,206	A *	2/1997	Slack et al.	439/536
D387,267	S *	12/1997	Brown	D8/353
D388,311	S *	12/1997	Scherer et al.	D8/353
8,242,364	B1 *	8/2012	Shotey et al.	174/66

* cited by examiner

Primary Examiner — Derrick Holland

Assistant Examiner — Lauren Calve

(74) *Attorney, Agent, or Firm* — Chun-Ming Shih; HDLS
IPR Services

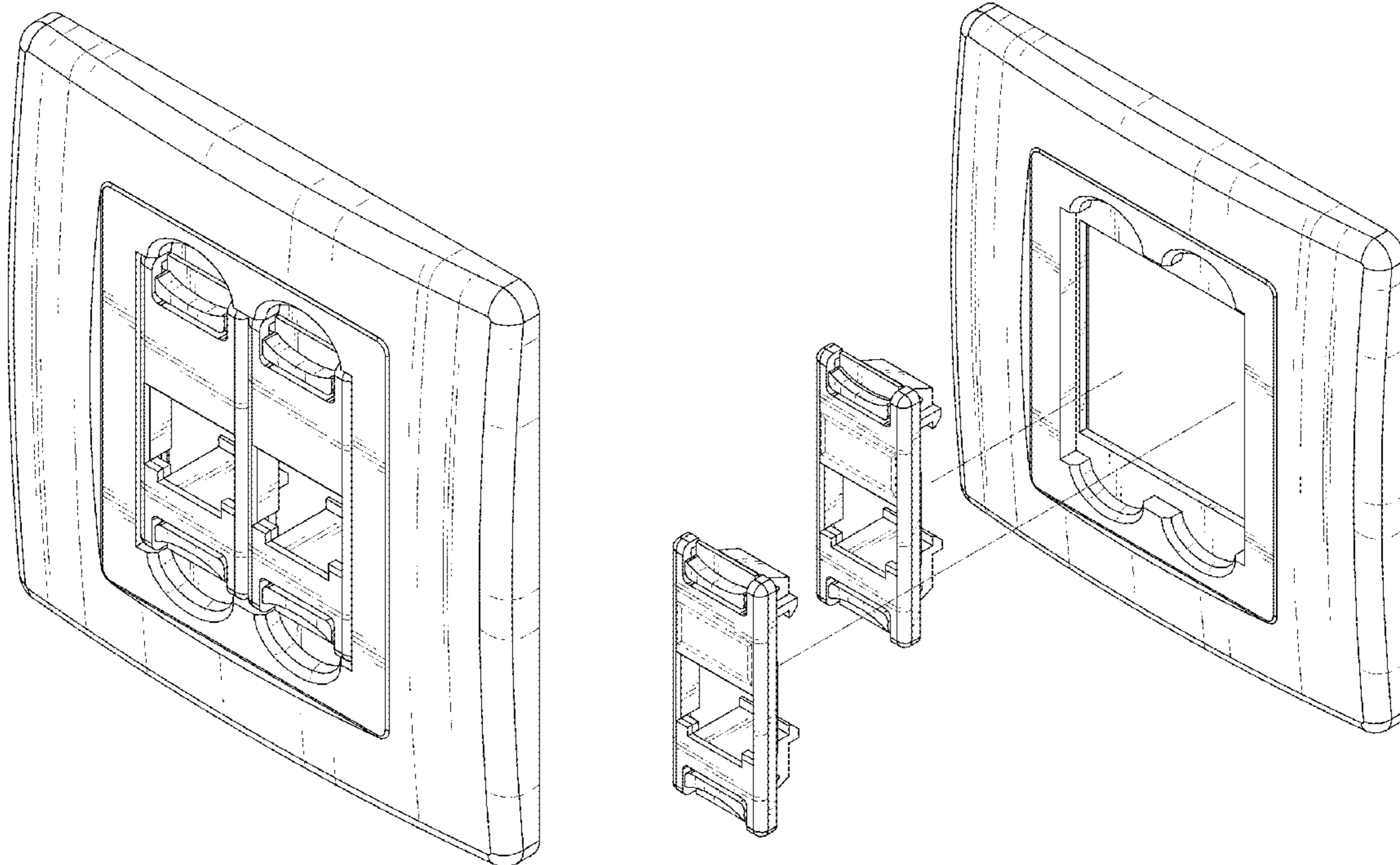
(57) **CLAIM**

The ornamental design for a face plate, as shown and
described.

DESCRIPTION

FIG. 1 is a perspective view of a face plate showing our new
design;
FIG. 2 is a front view thereof;
FIG. 3 is a rear view thereof;
FIG. 4 is a left side view thereof;
FIG. 5 is a right side view thereof;
FIG. 6 is a top view thereof;
FIG. 7 is a bottom view thereof;
FIG. 8 is a second perspective view thereof; and,
FIG. 9 is an exploded perspective view thereof.
The broken lines shown represent unclaimed subject matter
and form no part of the claimed design.

1 Claim, 7 Drawing Sheets



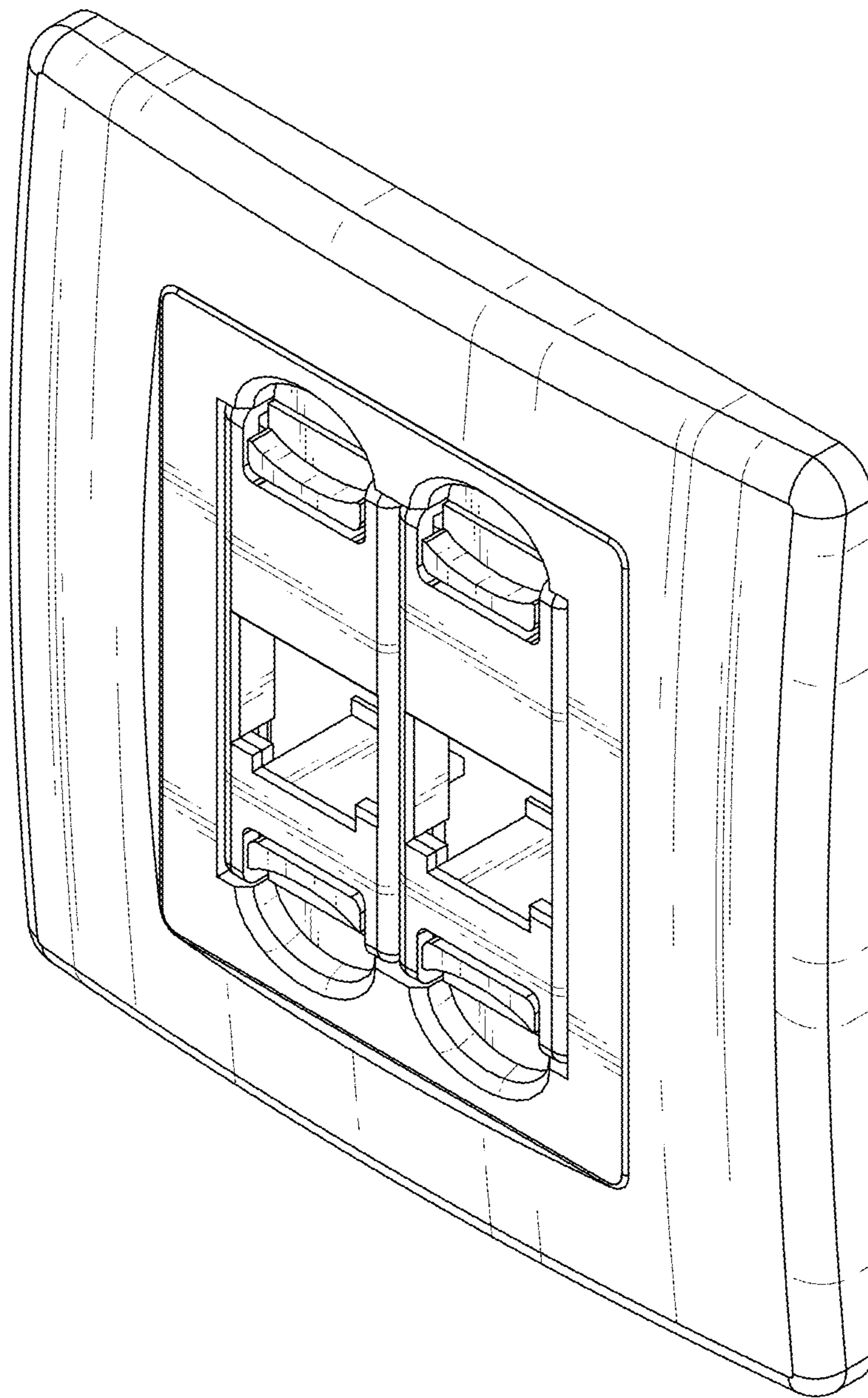


FIG.1

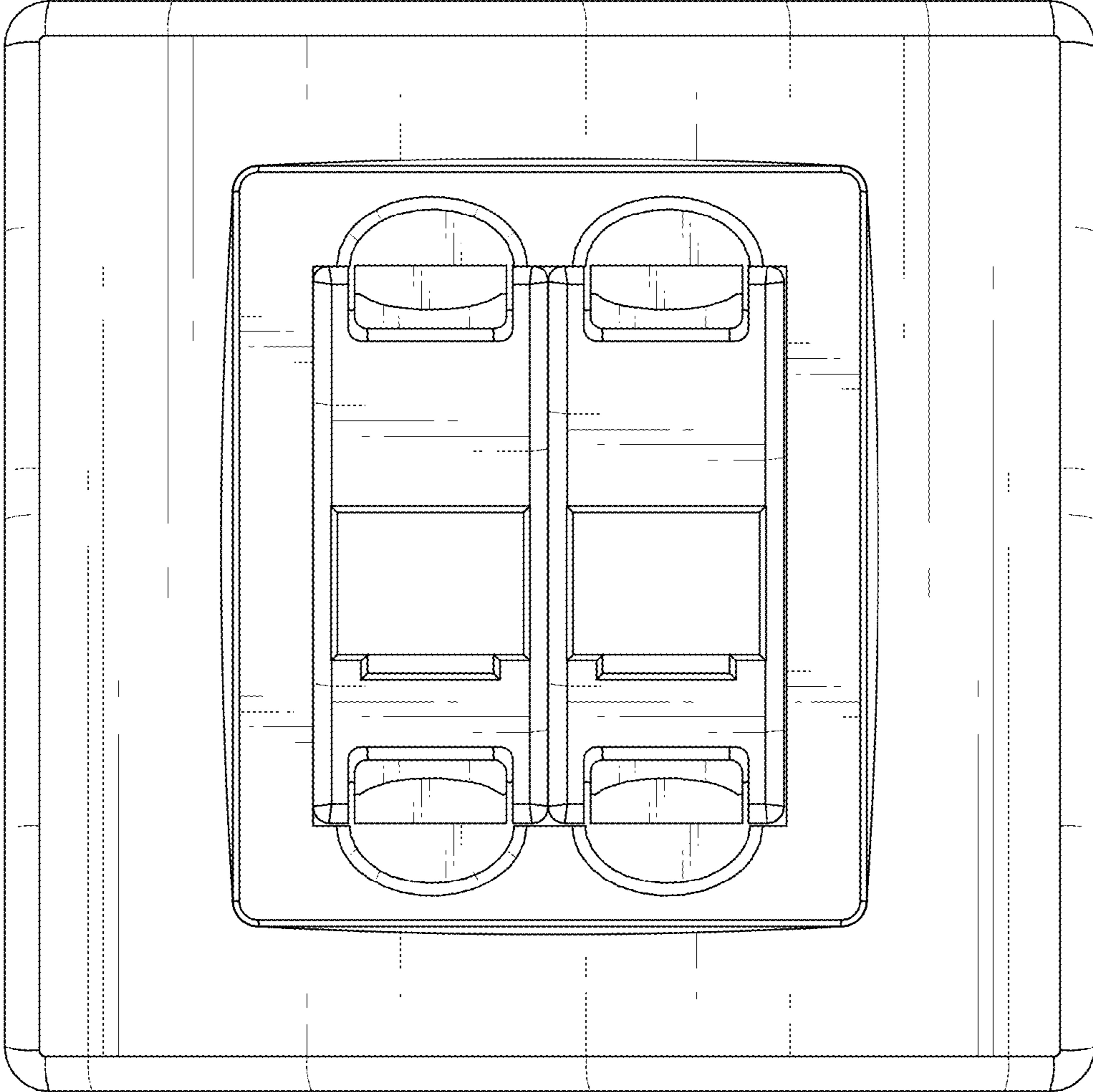


FIG.2

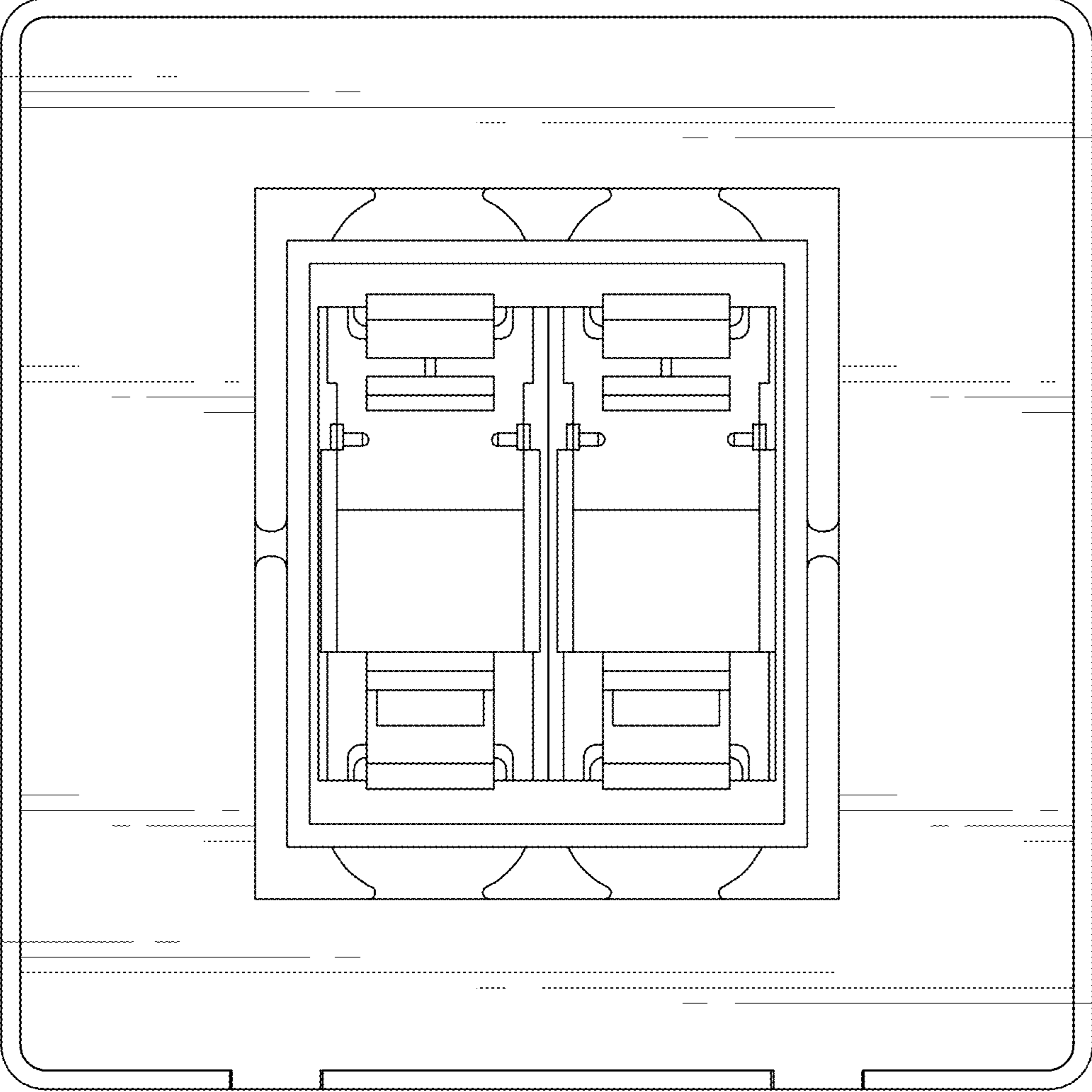


FIG.3

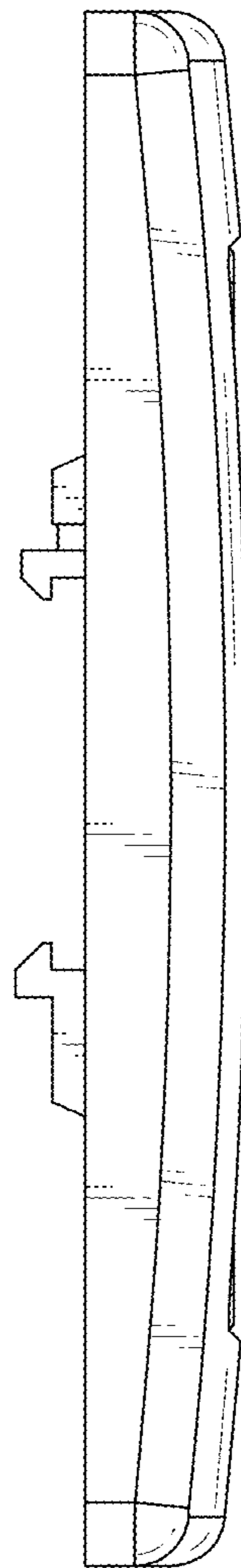


FIG. 4

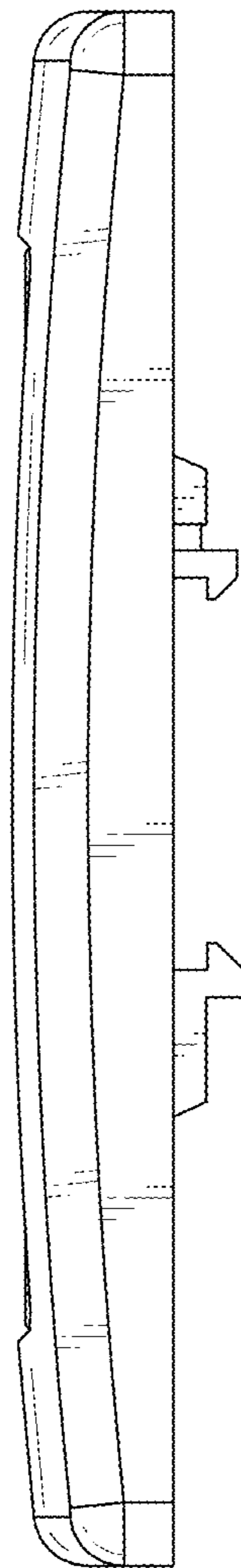


FIG. 5

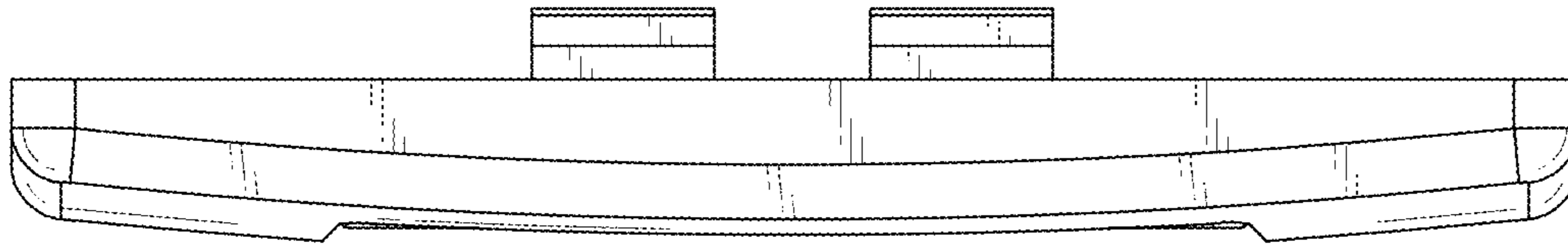


FIG. 6

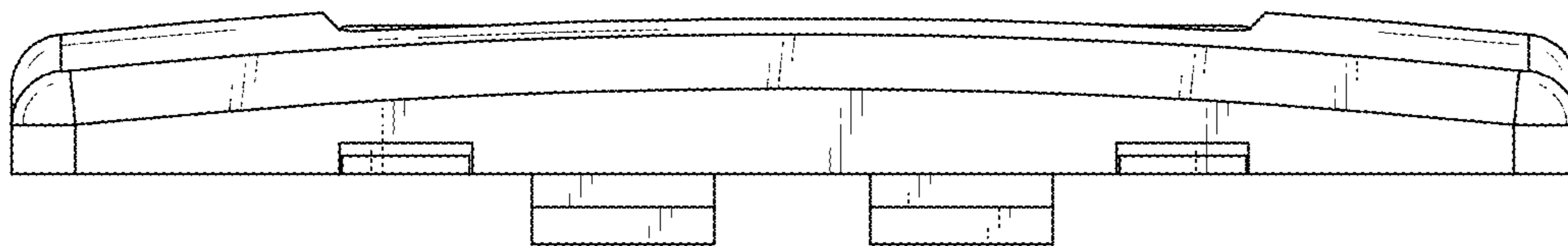


FIG. 7

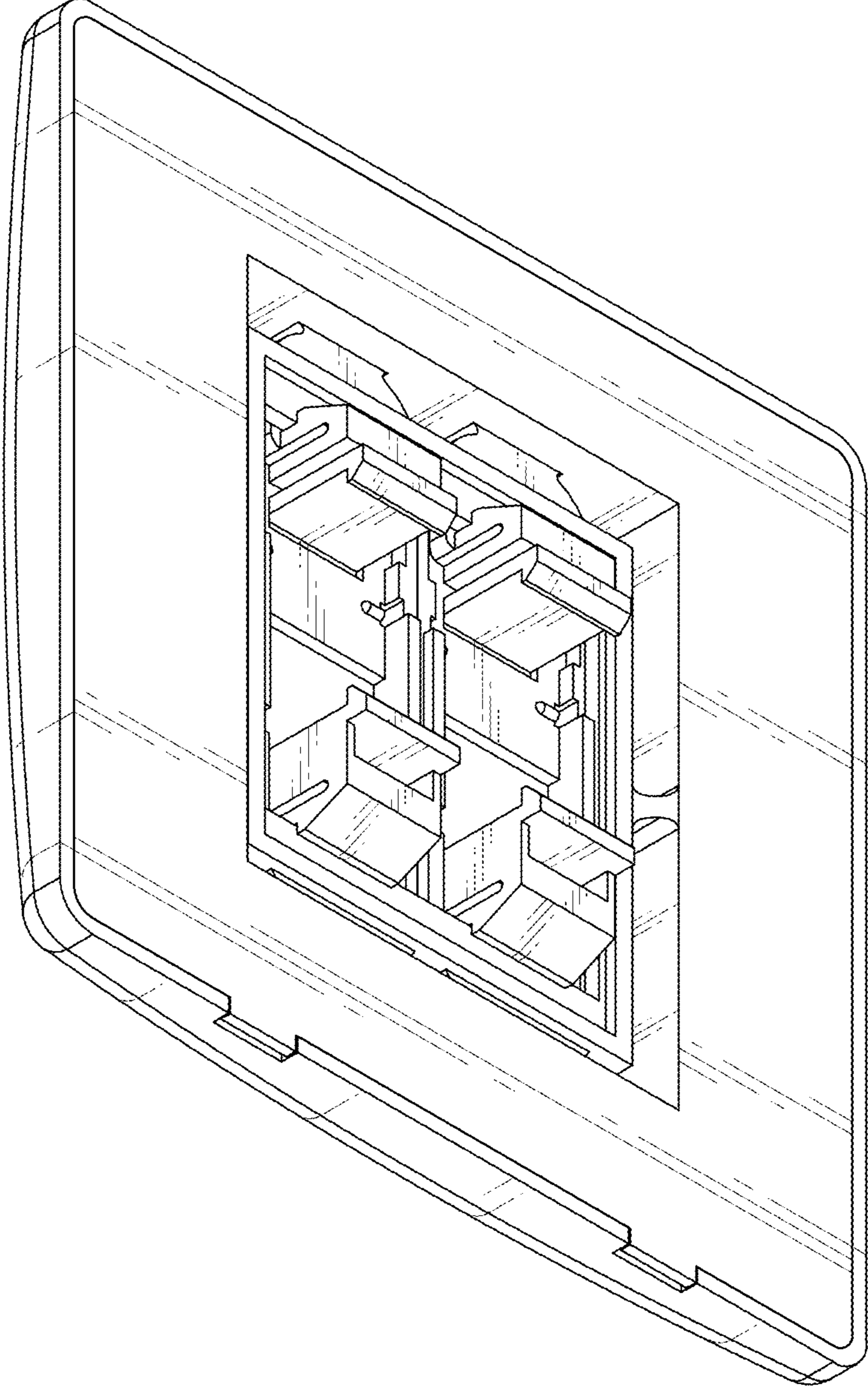


FIG.8

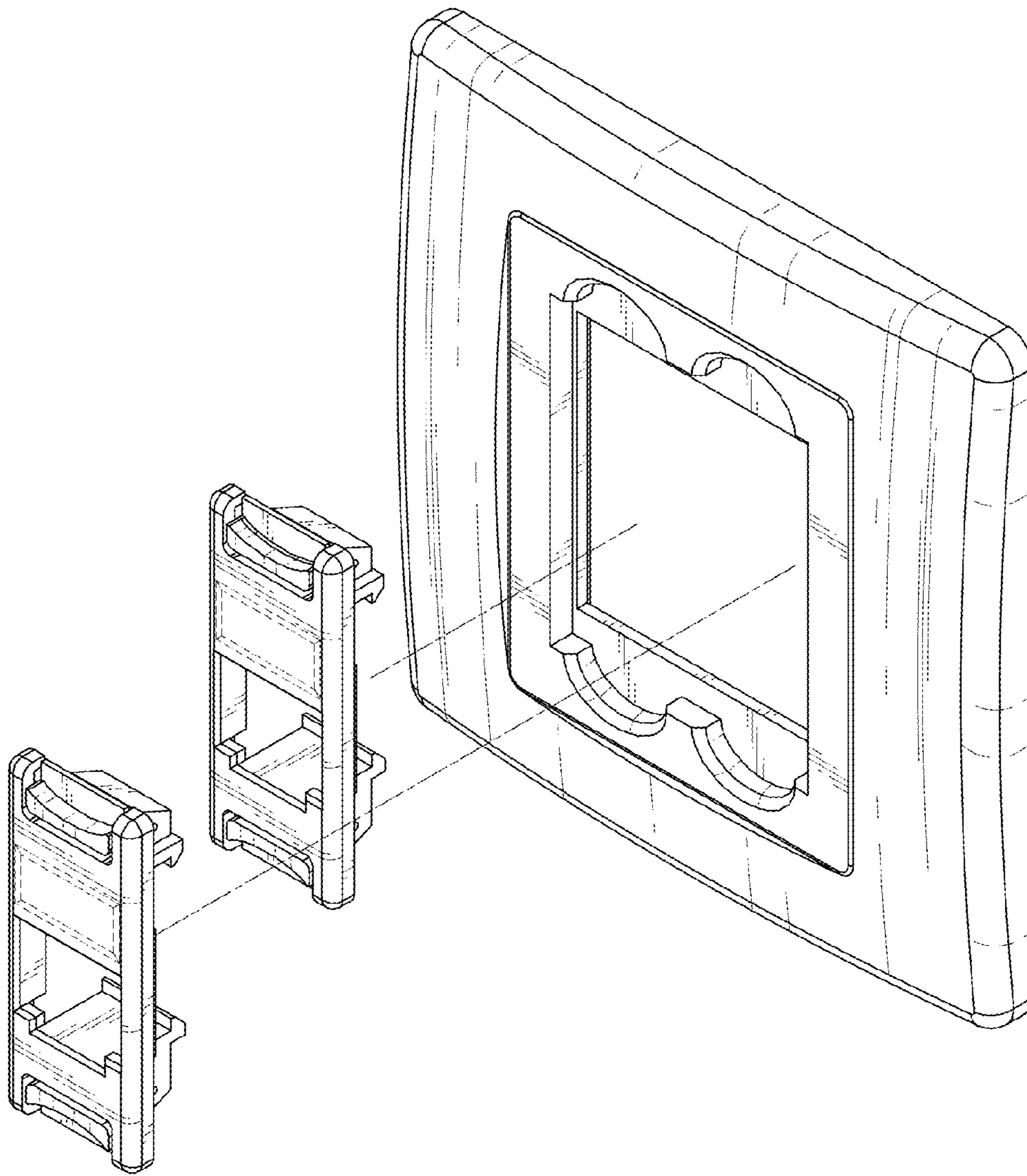


FIG.9