



US00D688630S

(12) **United States Design Patent**
Chapman

(10) **Patent No.:** **US D688,630 S**

(45) **Date of Patent:** **** Aug. 27, 2013**

(54) **ELECTRICAL RECEPTACLE BRACKET FOR AN ELECTRICAL DISTRIBUTION HARNESS**

Primary Examiner — Daniel Bui

(74) *Attorney, Agent, or Firm* — Taylor IP, P.C.

(75) Inventor: **Gordon F. Chapman**, Butler, IN (US)

(73) Assignee: **Group Dekko, Inc.**, Garrett, IN (US)

(57) **CLAIM**

The ornamental design for an electrical receptacle bracket for an electrical distribution harness, as shown and described.

(**) Term: **14 Years**

(21) Appl. No.: **29/393,506**

DESCRIPTION

(22) Filed: **Jun. 6, 2011**

(51) **LOC (9) Cl.** **13-03**

(52) **U.S. Cl.**
USPC **D13/154**

(58) **Field of Classification Search**
USPC D13/133, 147, 154, 184, 199; 439/839,
439/849–850, 852, 870, 877, 884–885, 887–892,
439/894
See application file for complete search history.

FIG. 1 is a perspective view of an electrical receptacle bracket for an electrical distribution harness showing my new design, in use condition;

FIG. 2 is a perspective view thereof;

FIG. 3 is a front view thereof;

FIG. 4 is a rear view thereof;

FIG. 5 is an end view thereof;

FIG. 6 is an opposite end view thereof;

FIG. 7 is a top view thereof; and,

FIG. 8 is a bottom view thereof.

The broken line portion of the figure drawings is included for the purpose of illustrating environment and forms no part of the claimed design.

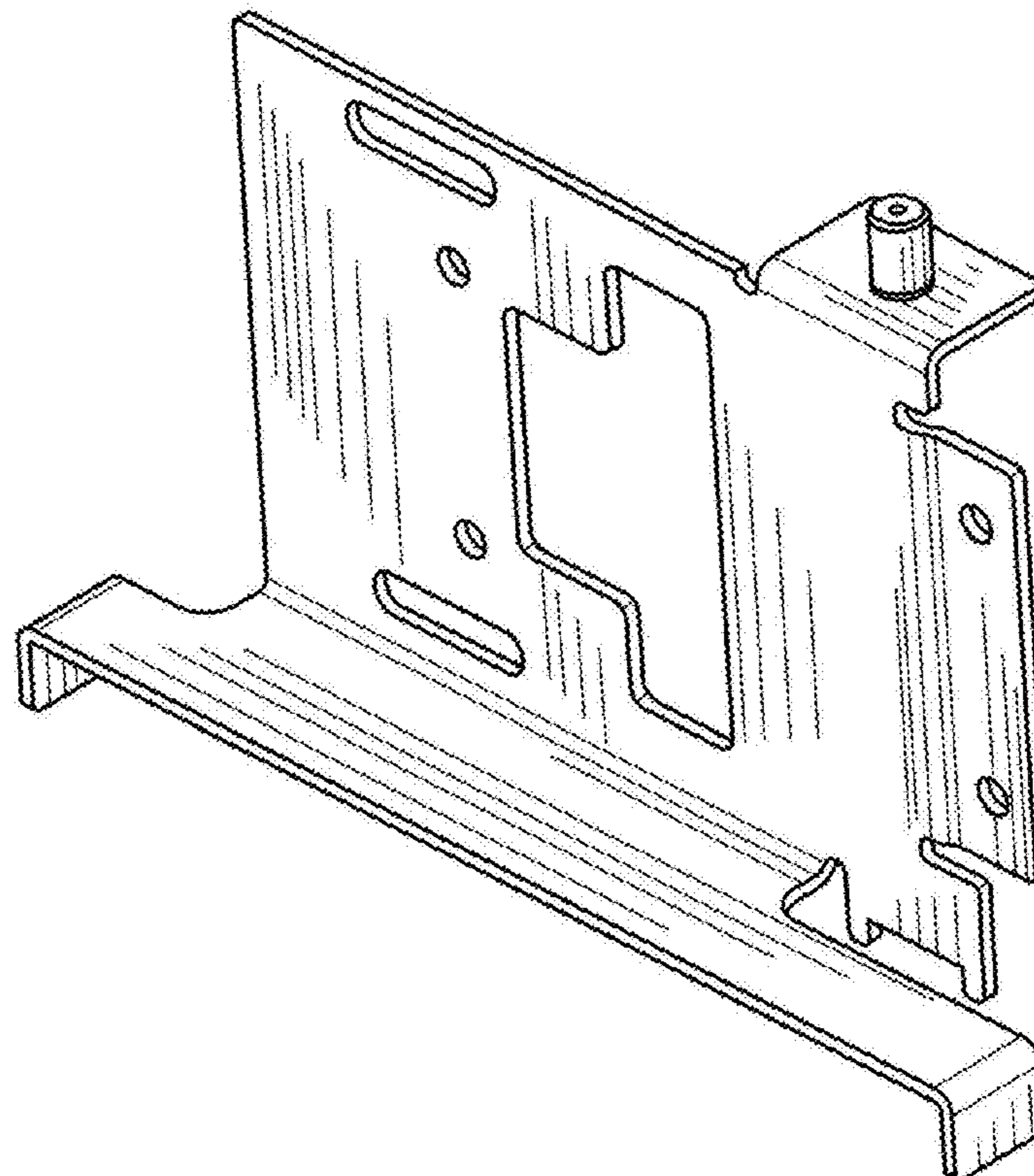
(56) **References Cited**

U.S. PATENT DOCUMENTS

| | | | | |
|--------------|---------|-------------|-------|---------|
| D340,226 S * | 10/1993 | Sachs | | D13/154 |
| D514,514 S * | 2/2006 | Franks, Jr. | | D13/133 |
| D572,194 S * | 7/2008 | Lin et al. | | D13/133 |
| D605,603 S * | 12/2009 | Mo | | D13/154 |
| D606,499 S * | 12/2009 | Mo | | D13/154 |

* cited by examiner

1 Claim, 4 Drawing Sheets



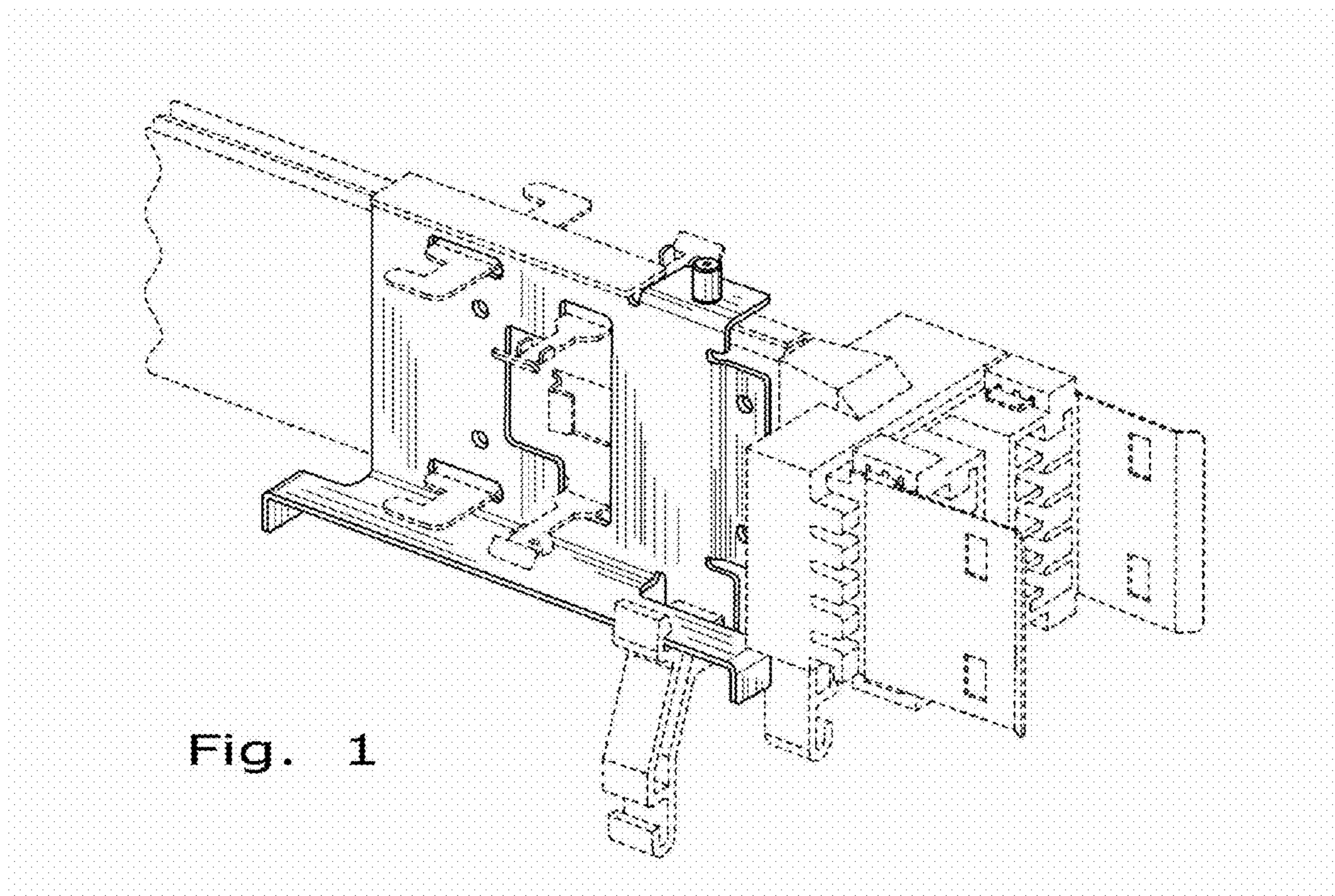


Fig. 1

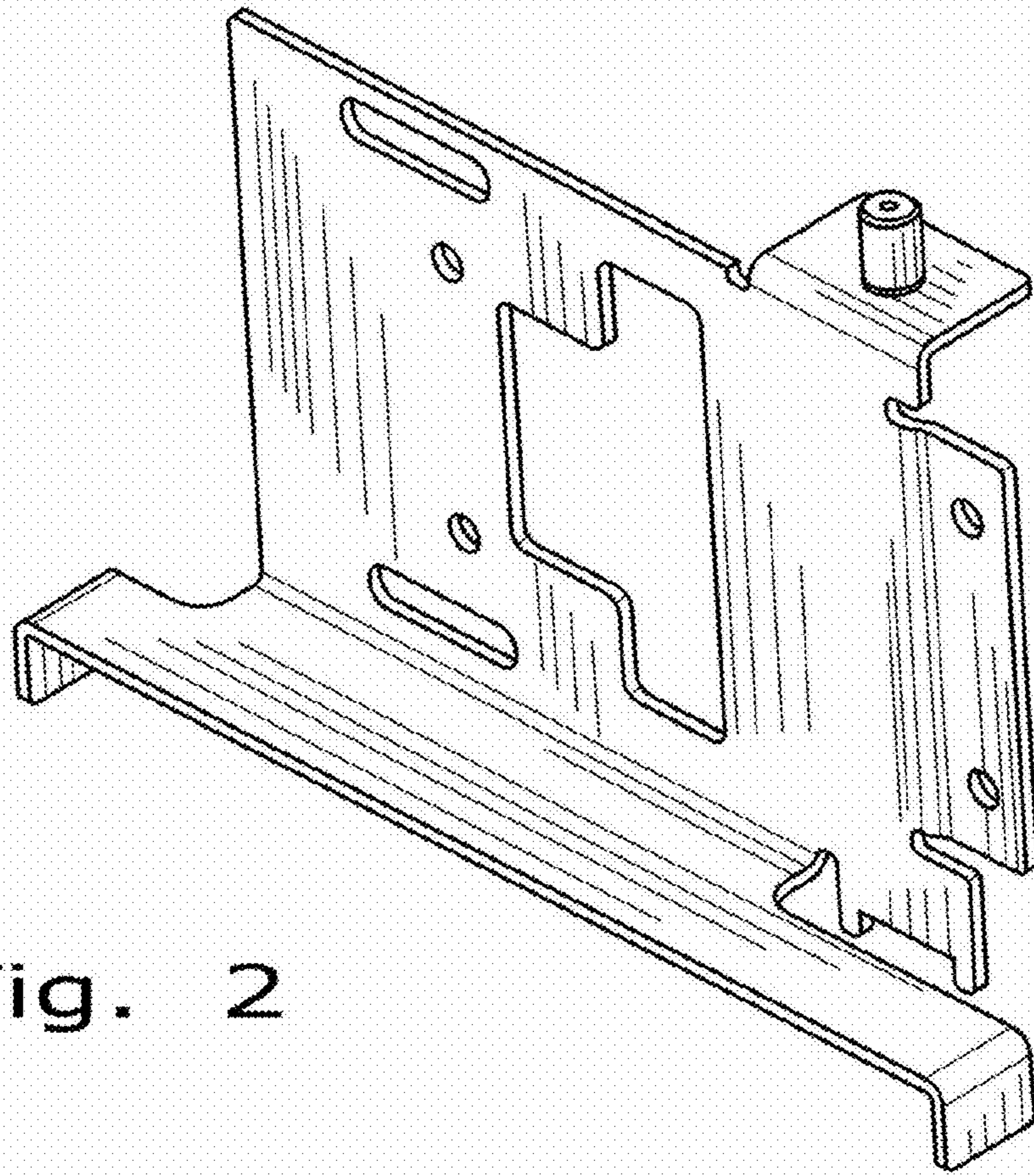


Fig. 2

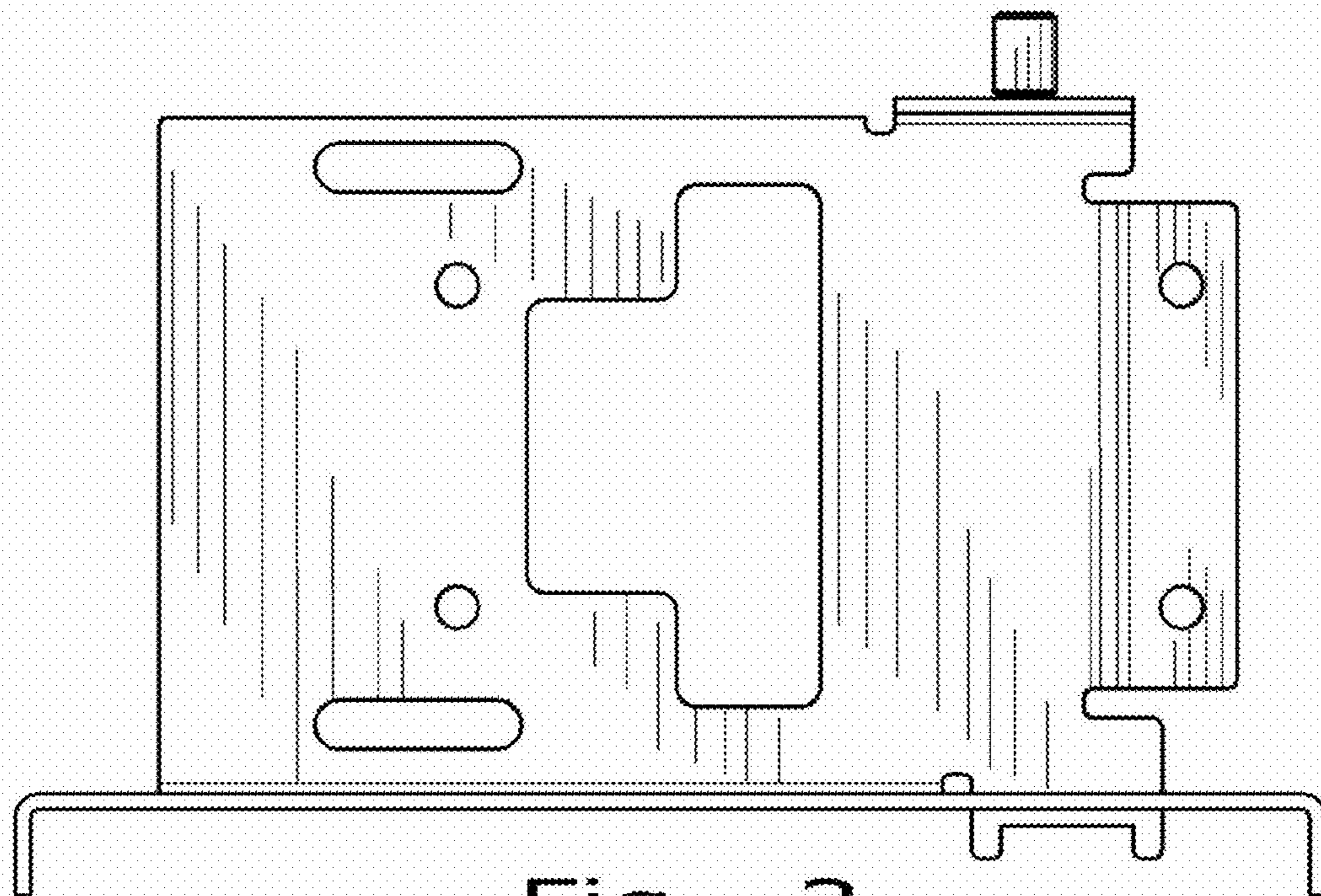


Fig. 3

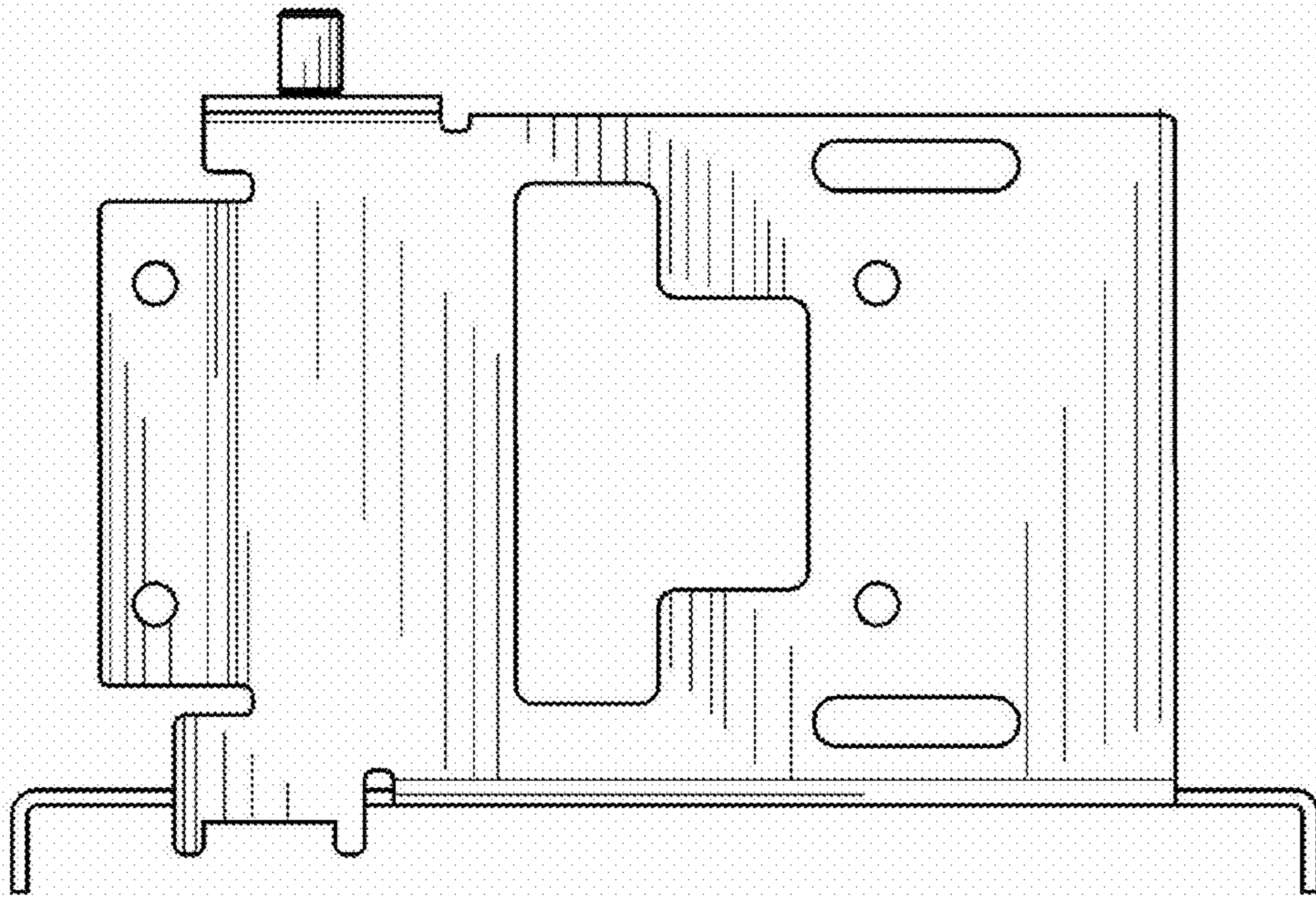


Fig. 4

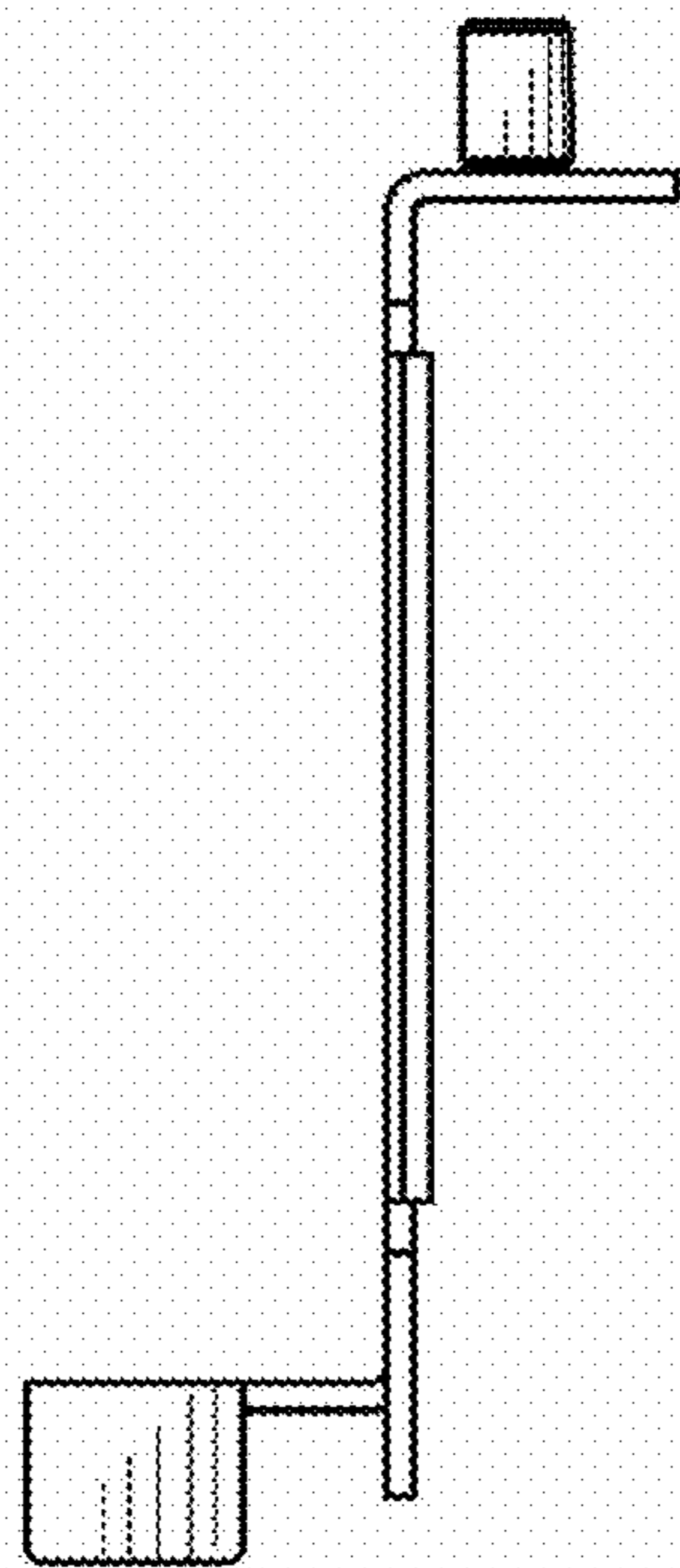


Fig. 5

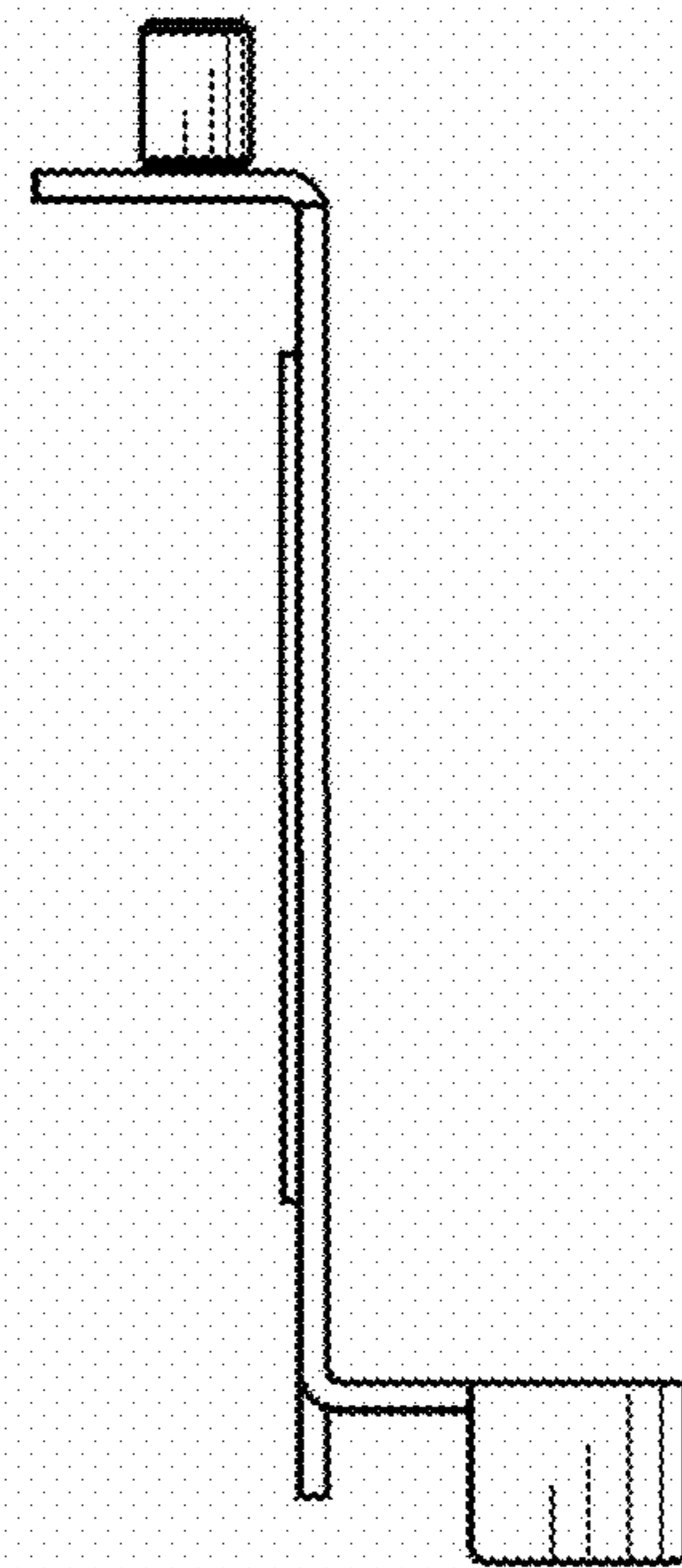


Fig. 6

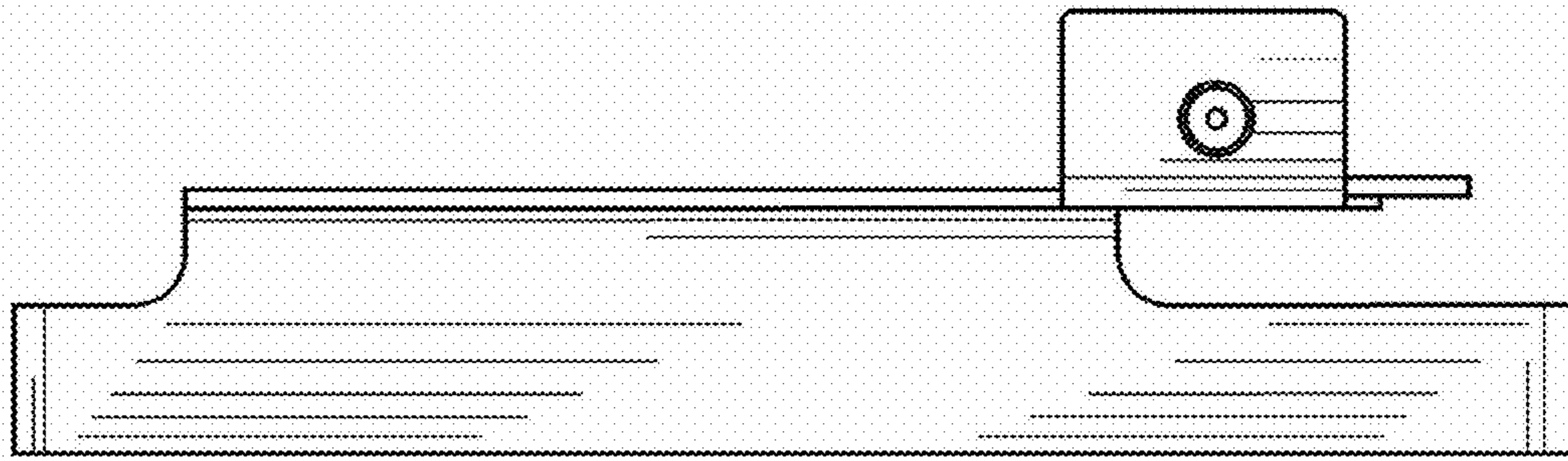


Fig. 7

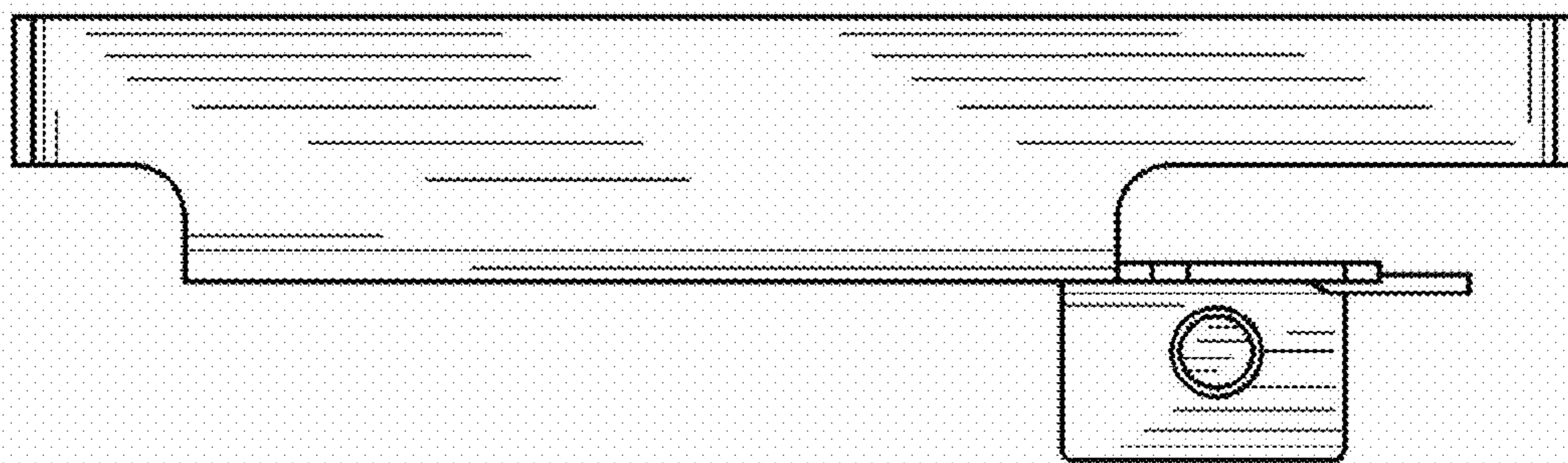


Fig. 8