



US00D688628S

(12) **United States Design Patent**
van Deursen

(10) **Patent No.:** **US D688,628 S**

(45) **Date of Patent:** **** Aug. 27, 2013**

(54) **FRAME FOR OUTDOOR POWER EQUIPMENT**

(75) Inventor: **Gary E. van Deursen**, Essex, CT (US)

(73) Assignee: **Briggs & Stratton Corporation**,
Wauwatosa, WI (US)

(**) Term: **14 Years**

(21) Appl. No.: **29/429,715**

(22) Filed: **Aug. 15, 2012**

Related U.S. Application Data

(63) Continuation of application No. 29/357,175, filed on Mar. 8, 2010, now Pat. No. Des. 668,607.

(51) **LOC (9) Cl.** **13-01**

(52) **U.S. Cl.**
USPC **D13/116**

(58) **Field of Classification Search**

USPC D13/116, 112, 114, 122, 184, 199;
D6/329, 462; D15/33, 141, 142, 144; D34/12,
D34/17, 23, 24, 26; 219/56, 57; 290/1 A,
290/1 B, 1 R; 307/150, 153; 310/50, 89,
310/158, 418; 123/2, 3

See application file for complete search history.

(56) **References Cited**

U.S. PATENT DOCUMENTS

D106,969 S	11/1937	Gerald	
D276,997 S	1/1985	Mikado	
4,503,812 A	3/1985	Eberhardt	
D278,425 S	4/1985	Toshihiko	
4,523,774 A *	6/1985	Dickerson	280/655
D284,415 S	6/1986	Cahoon	
D293,904 S	1/1988	Murakami et al.	
4,741,505 A	5/1988	Anderson	
5,965,949 A	10/1999	Fukuda et al.	
D418,809 S	1/2000	Frank	
6,424,060 B1	7/2002	Shiely et al.	

D472,519 S	4/2003	Buck
D484,565 S	12/2003	Ariaz
D486,447 S	2/2004	Fan
D489,327 S	5/2004	Imai
6,750,556 B2	6/2004	Sodemann et al.
6,758,169 B2	7/2004	Suzuki et al.
D494,929 S	8/2004	Imai
6,777,846 B2	8/2004	Feldner et al.
D501,182 S	1/2005	Buck

(Continued)

OTHER PUBLICATIONS

Product Information taken from www.briggsandstratton.com/engine_power/details.aspx printed on Feb. 17, 2010, 16 pages.

Primary Examiner — Derrick Holland

(74) *Attorney, Agent, or Firm* — Foley & Lardner LLP

(57) **CLAIM**

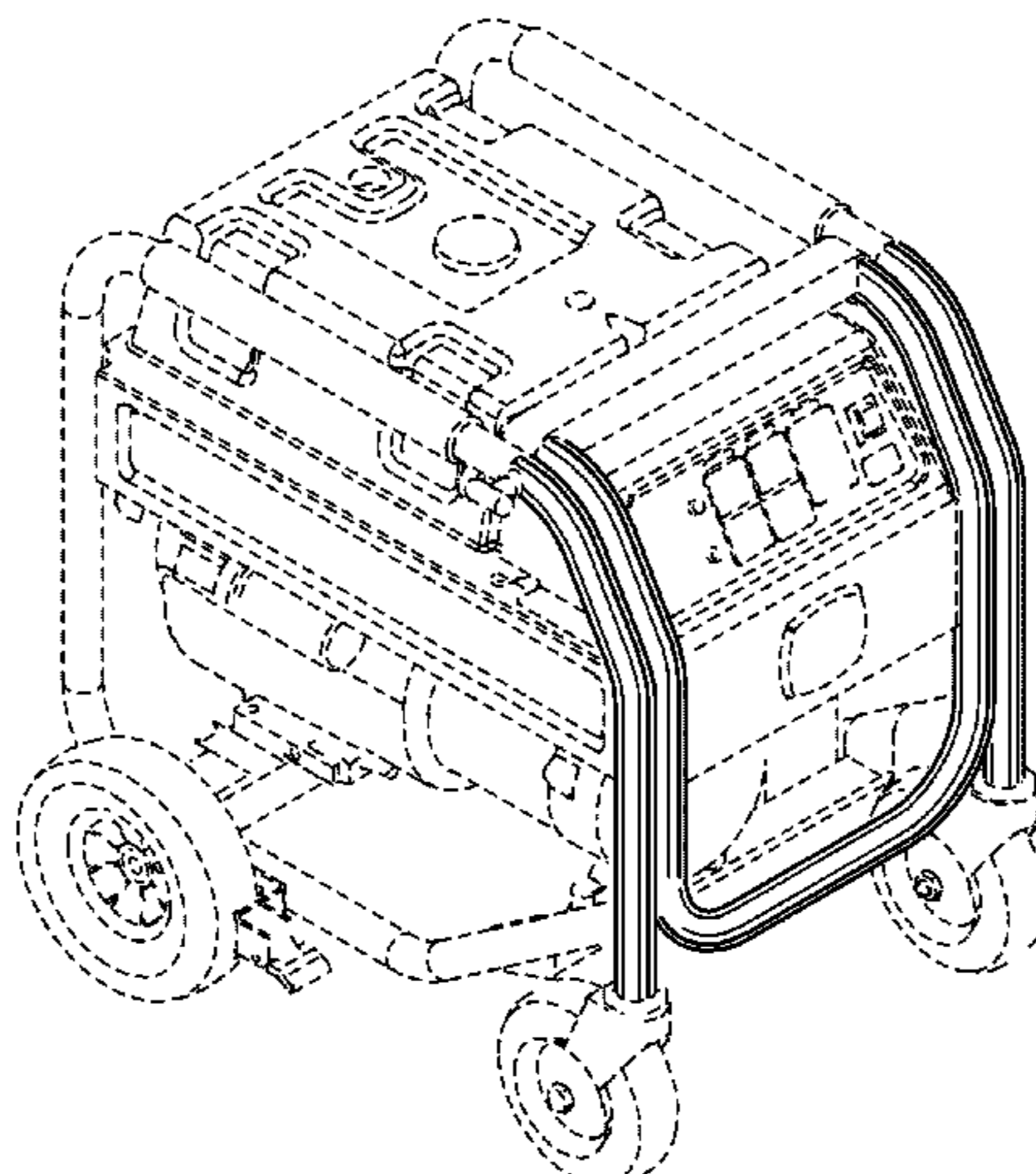
I claim the ornamental design for a frame for outdoor power equipment, as shown and described.

DESCRIPTION

FIG. 1 is a front perspective view of a frame for outdoor power equipment showing my new design; FIG. 2 is a left side view thereof; FIG. 3 is a front view thereof; FIG. 4 is a right side view thereof; FIG. 5 is a rear view thereof; FIG. 6 is a top plan view thereof; FIG. 7 is a bottom plan view thereof; and, FIG. 8 is a perspective view thereof, shown in an alternate configuration.

The broken lines shown represent unclaimed subject matter and form no part of the claim. Where broken lines abut a claimed surface it is understood that those broken lines represent an unclaimed boundary between claimed and unclaimed surfaces. None of the broken lines form any part of the claimed design.

1 Claim, 8 Drawing Sheets



(56)

References Cited

U.S. PATENT DOCUMENTS

6,935,642 B1	8/2005	Craig et al.	7,314,397 B2	1/2008	Sodemann et al.
6,952,056 B2	10/2005	Brandenburg et al.	D563,320 S	3/2008	Buck
6,975,216 B2	12/2005	Tharman et al.	D567,175 S	4/2008	Knuteson et al.
6,998,725 B2	2/2006	Brandenburg et al.	7,356,384 B2	4/2008	Gull et al.
7,015,404 B2	3/2006	Sodemann et al.	D570,777 S	6/2008	Glass et al.
7,015,599 B2	3/2006	Gull et al.	7,390,224 B2	6/2008	Sodemann et al.
7,053,497 B2	5/2006	Sodemann et al.	D580,860 S	11/2008	Xi-Ren
7,057,108 B1	6/2006	Sodemann et al.	7,471,505 B2	12/2008	Gull et al.
7,104,847 B2	9/2006	Sodemann et al.	7,492,050 B2	2/2009	Brandenburg et al.
7,148,580 B2	12/2006	Sodemann et al.	D617,269 S *	6/2010	van Deursen D13/116
7,161,253 B2	1/2007	Sodemann et al.	D629,748 S *	12/2010	van Deursen D13/116
			2004/0182845 A1 *	9/2004	Crisler et al. 219/130.1
			2008/0093862 A1	4/2008	Brandenburg et al.

* cited by examiner

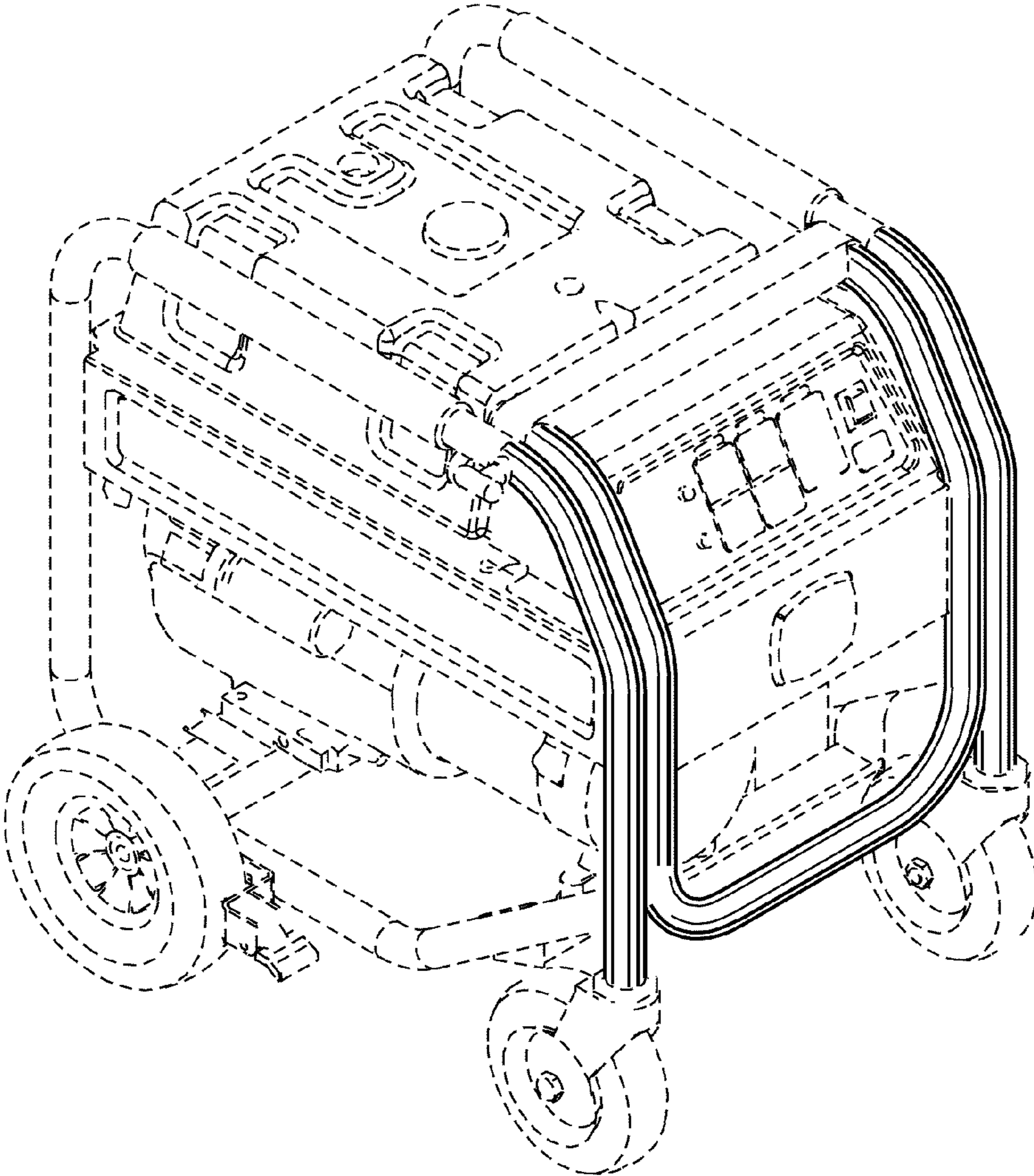


FIG. 1

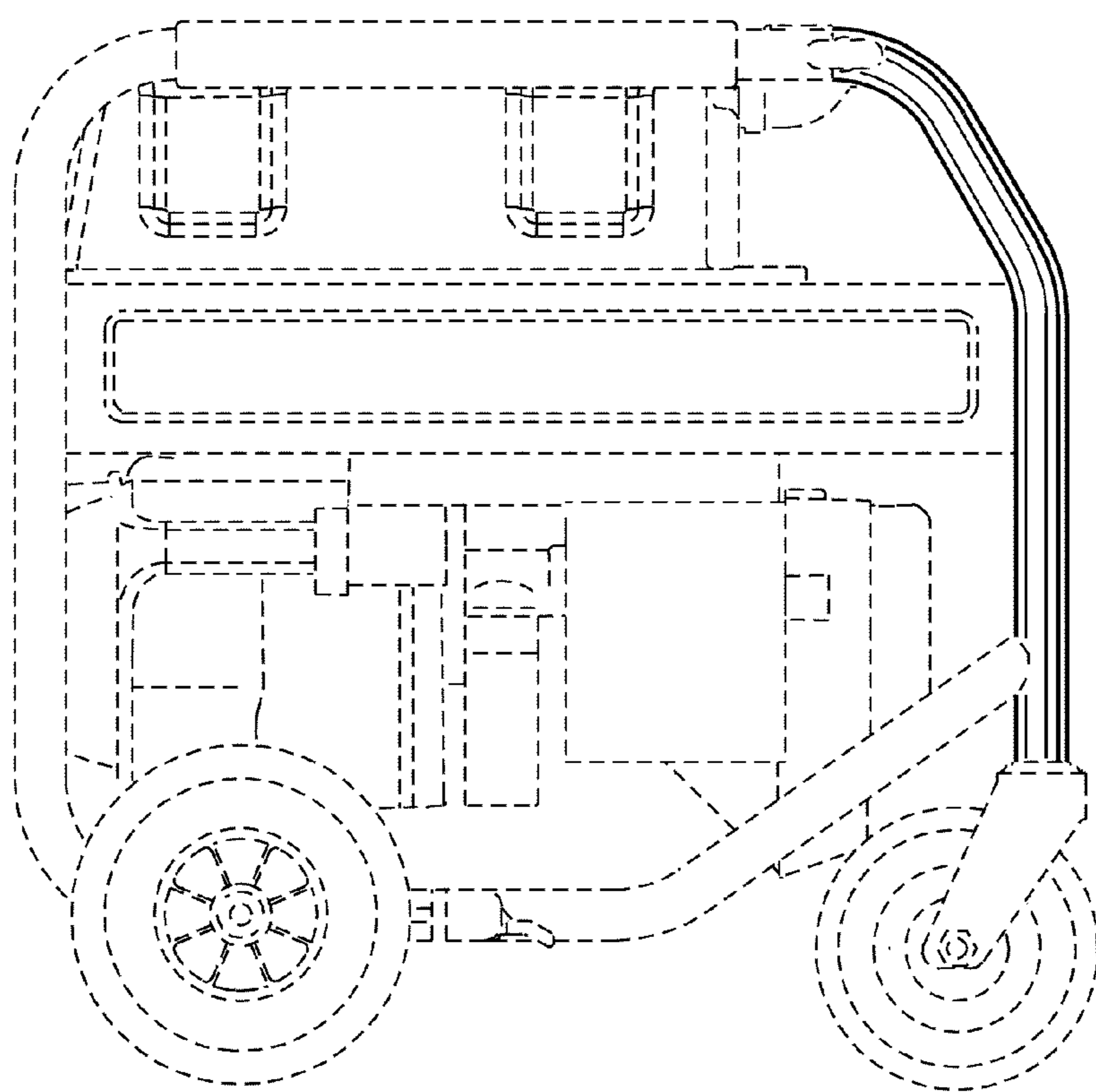


FIG. 2

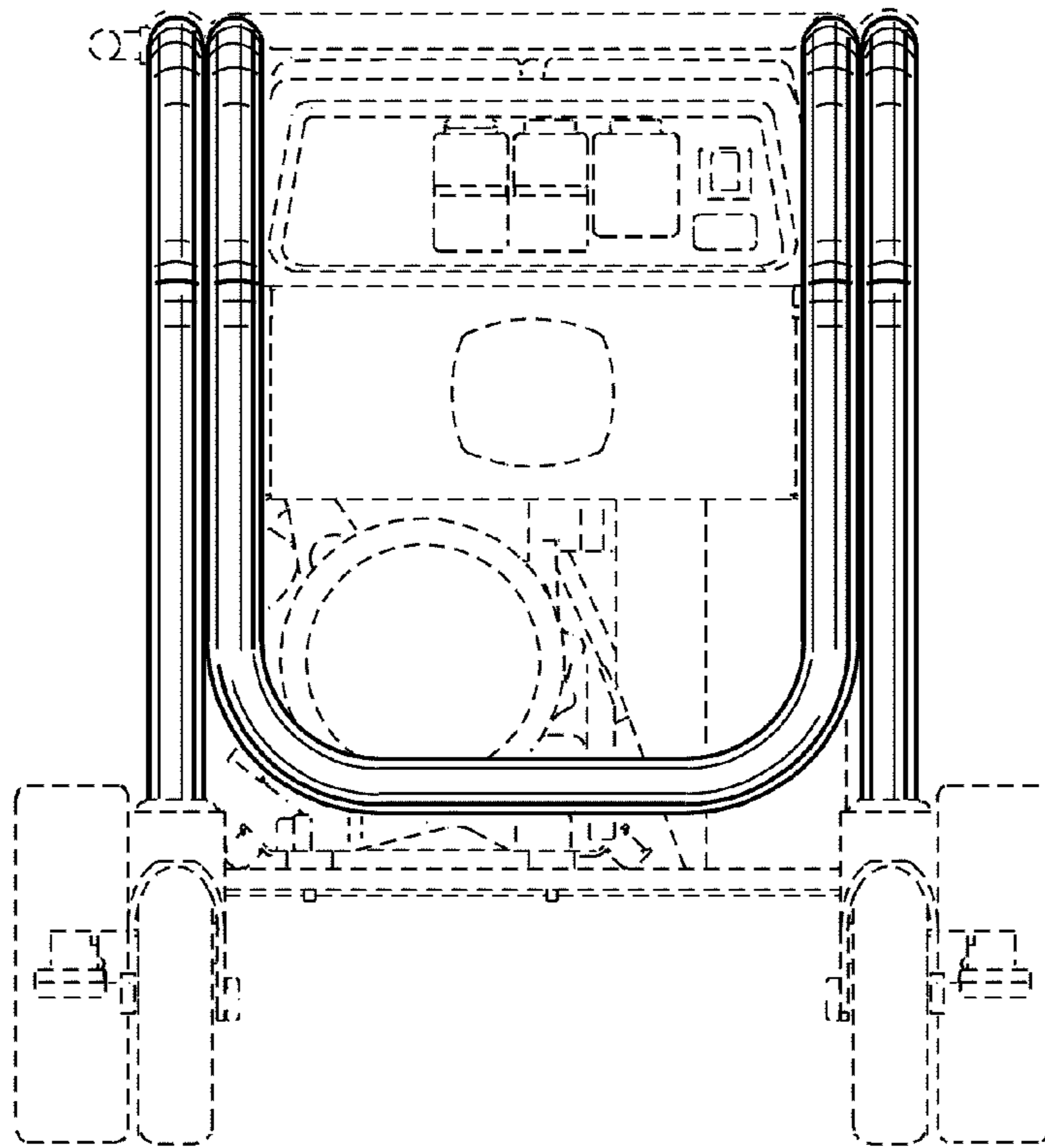


FIG. 3

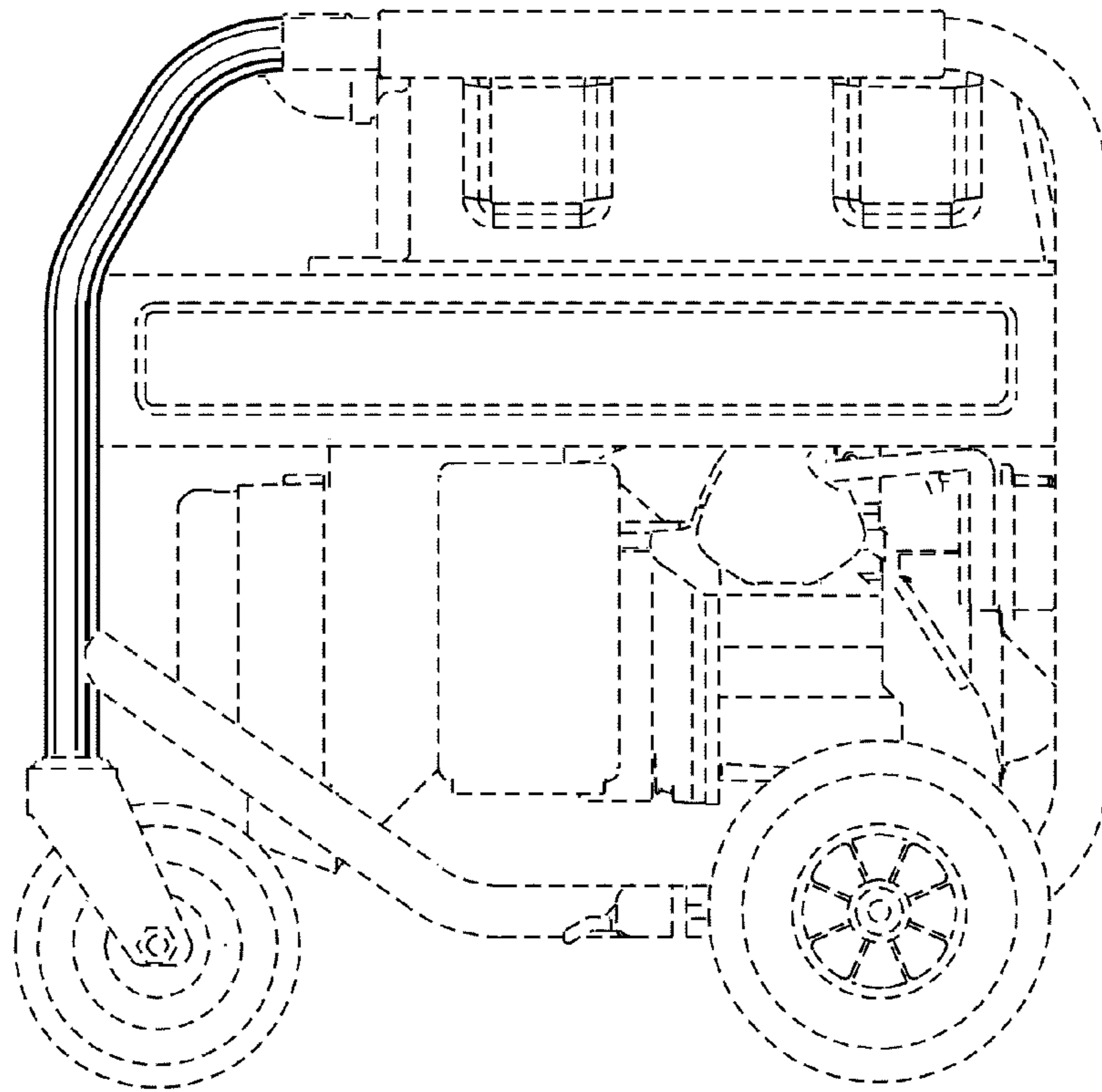


FIG. 4

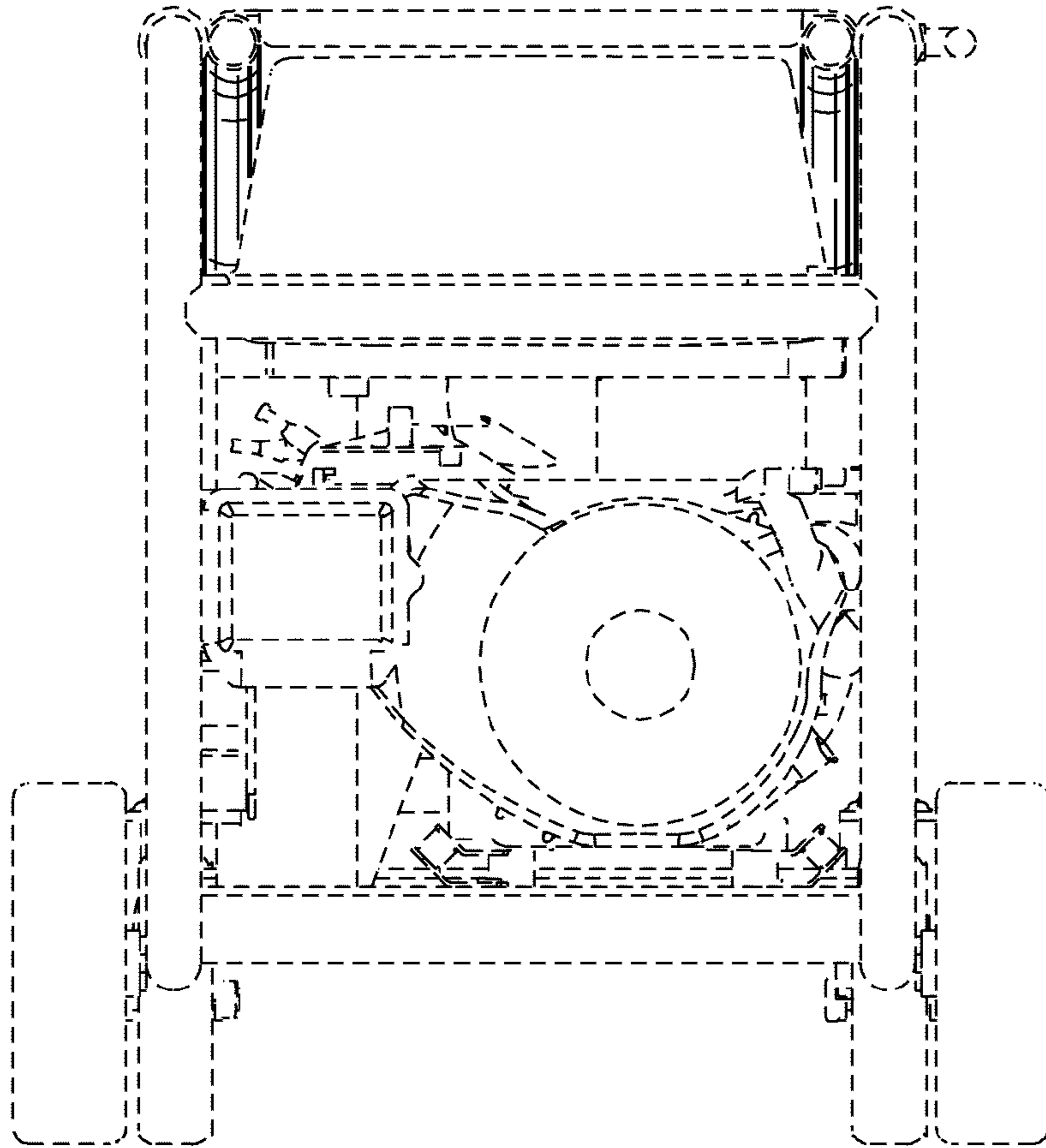


FIG. 5

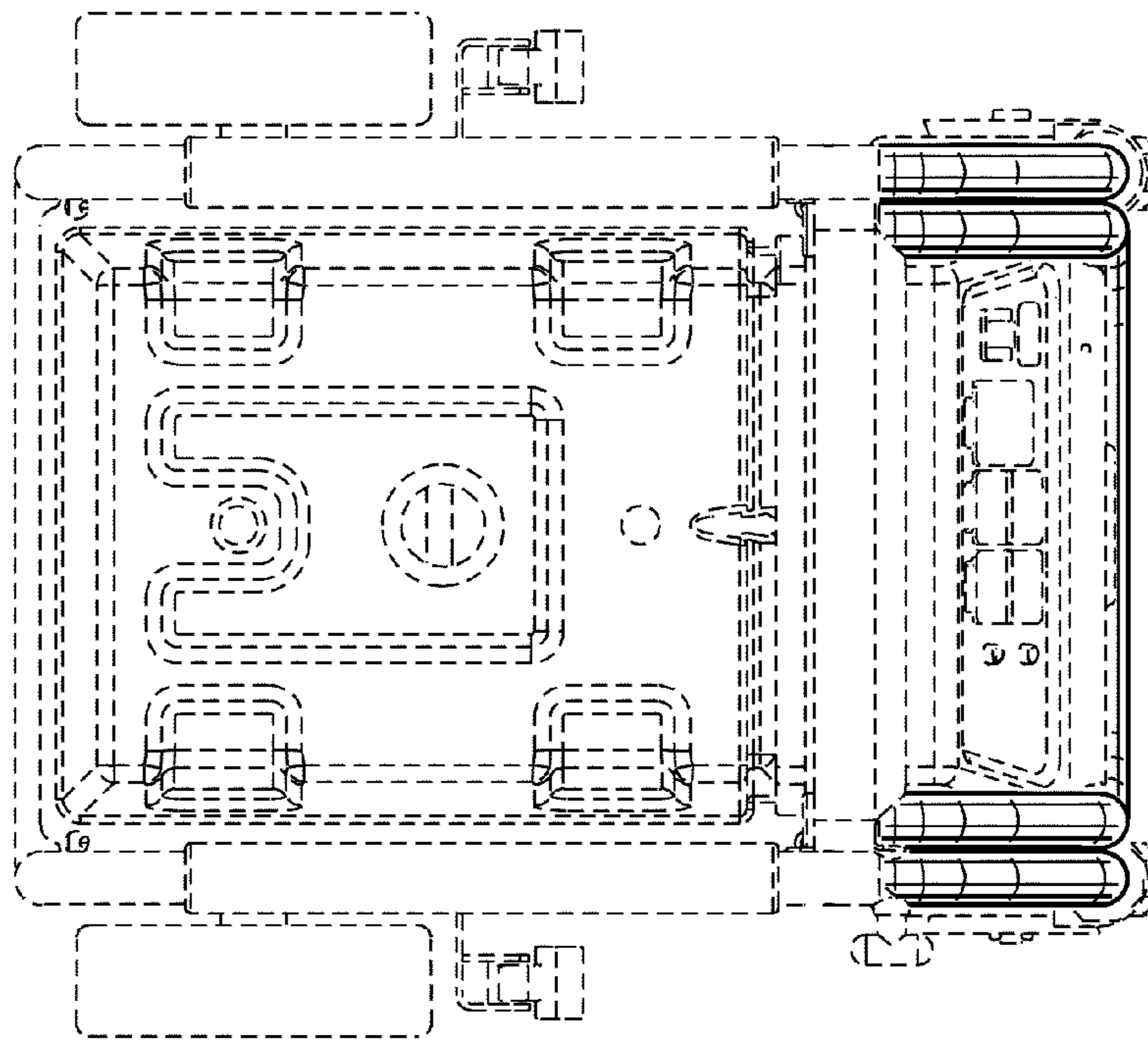


FIG. 6

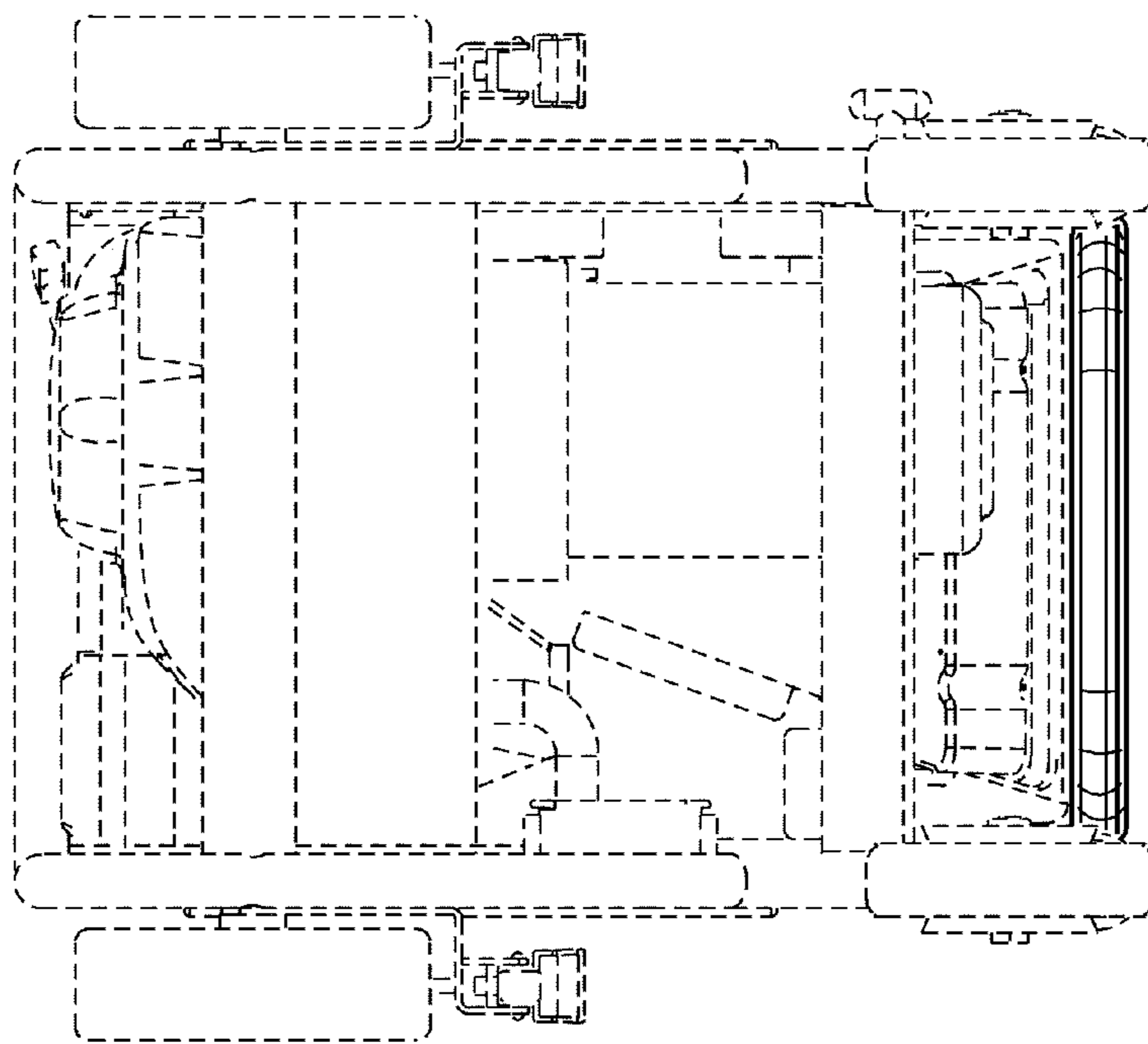


FIG. 7

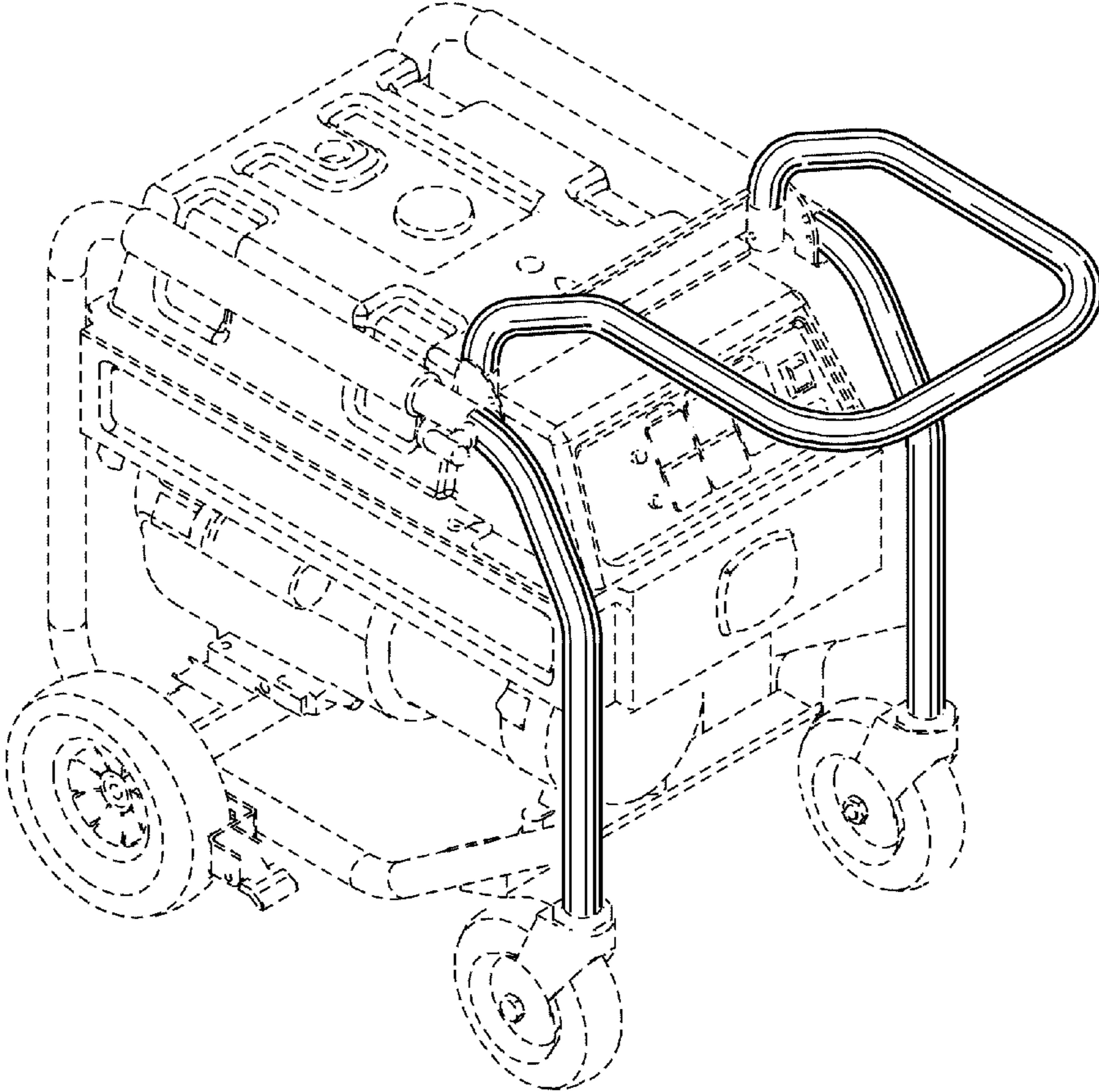


FIG. 8