



US00D688627S

(12) **United States Design Patent**
Veeh

(10) **Patent No.:** **US D688,627 S**

(45) **Date of Patent:** **** Aug. 27, 2013**

(54) **ELECTRIC MOTOR**

(71) Applicant: **Michael Veeh**, Kleinrinderfeld (DE)

(72) Inventor: **Michael Veeh**, Kleinrinderfeld (DE)

(73) Assignee: **Baum Mueller Nuernberg GmbH**,
Nuremberg (DE)

(**) Term: **14 Years**

(21) Appl. No.: **29/437,843**

(22) Filed: **Nov. 21, 2012**

(30) **Foreign Application Priority Data**

May 23, 2012 (EP) 002046128

(51) **LOC (9) Cl.** **13-01**

(52) **U.S. Cl.**
USPC **D13/112**

(58) **Field of Classification Search**

USPC D13/112, 113, 114, 122, 199; D15/3,
D15/5, 199; 74/606 R, 609; 310/10, 40 R,
310/42, 51, 52, 58, 64, 71, 80, 83, 85, 88,
310/89, 91, 109, 236, 239, 254; 318/245,
318/255; 322/16, 39; 361/688, 704, 709;
29/596-598

See application file for complete search history.

(56) **References Cited**

U.S. PATENT DOCUMENTS

D287,715	S	*	1/1987	Pittman et al.	D13/112
D306,009	S	*	2/1990	Mintz et al.	D13/112
4,988,905	A	*	1/1991	Tolmie, Jr.	310/68 B
D336,890	S	*	6/1993	Hirose et al.	D13/112
D424,516	S	*	5/2000	Friedrichsen	D13/112
D457,493	S	*	5/2002	Borges	D13/112
6,717,302	B2	*	4/2004	Kolloff et al.	310/71
D557,210	S	*	12/2007	Liu	D13/112
D573,091	S	*	7/2008	Shih et al.	D13/112
D597,943	S	*	8/2009	Lin et al.	D13/112
D601,958	S	*	10/2009	Huan et al.	D13/112
D610,988	S	*	3/2010	Oohashi et al.	D13/112
D628,154	S	*	11/2010	Veeh	D13/112
D634,272	S	*	3/2011	Veeh	D13/112

* cited by examiner

Primary Examiner — Derrick Holland

(74) *Attorney, Agent, or Firm* — Laurence A. Greenberg;
Werner H. Stemer; Ralph E. Locher

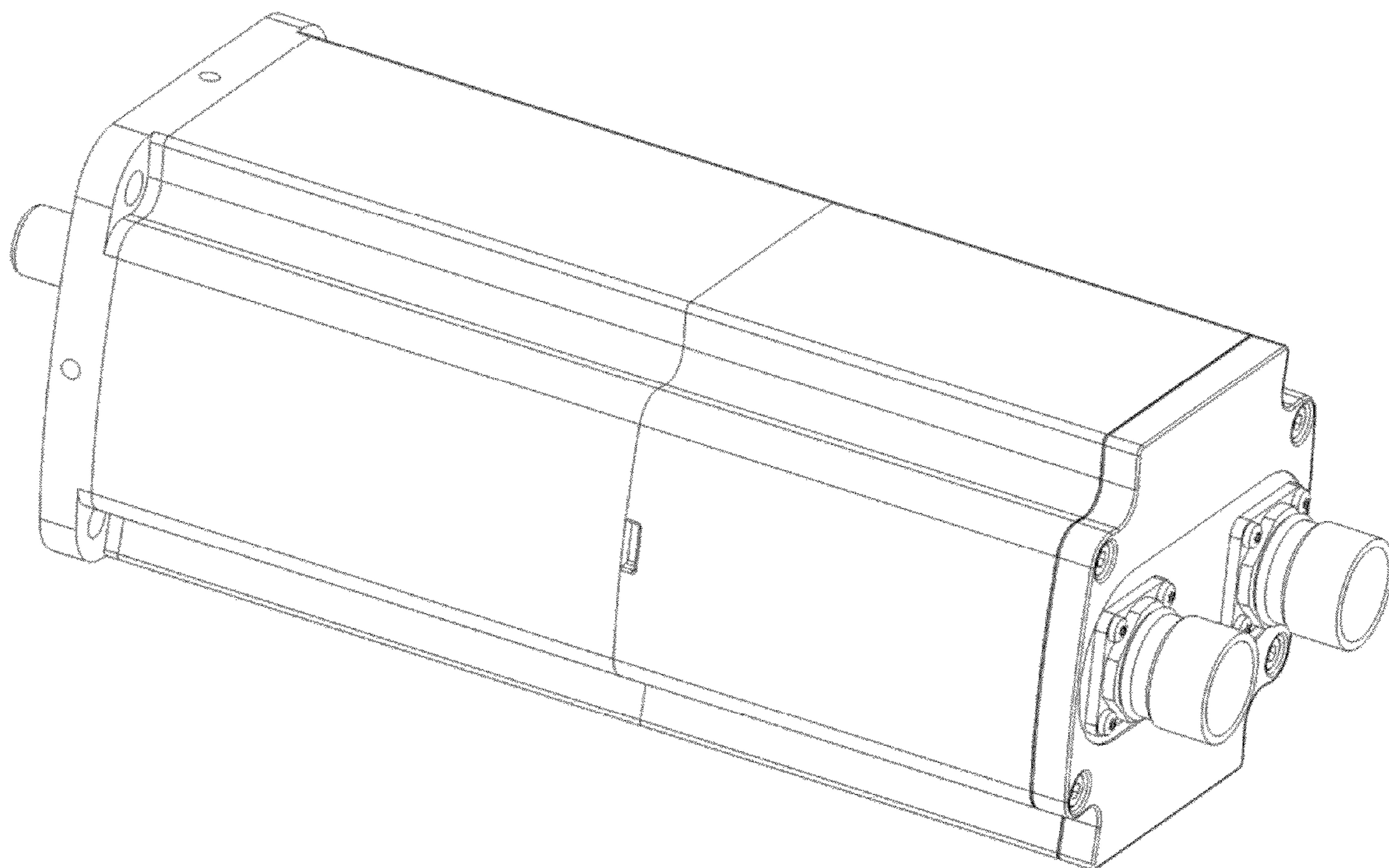
(57) **CLAIM**

The ornamental design for an electric motor, as shown and described.

DESCRIPTION

FIG. 1 is a right-side perspective view of an electric motor, showing my new design;
FIG. 2 is a left-side perspective view thereof;
FIG. 3 is a front elevation view thereof;
FIG. 4 is a rear elevation view thereof;
FIG. 5 is a side elevation view thereof; and,
FIG. 6 is a top plan view thereof, the bottom being a mirror image.

1 Claim, 6 Drawing Sheets



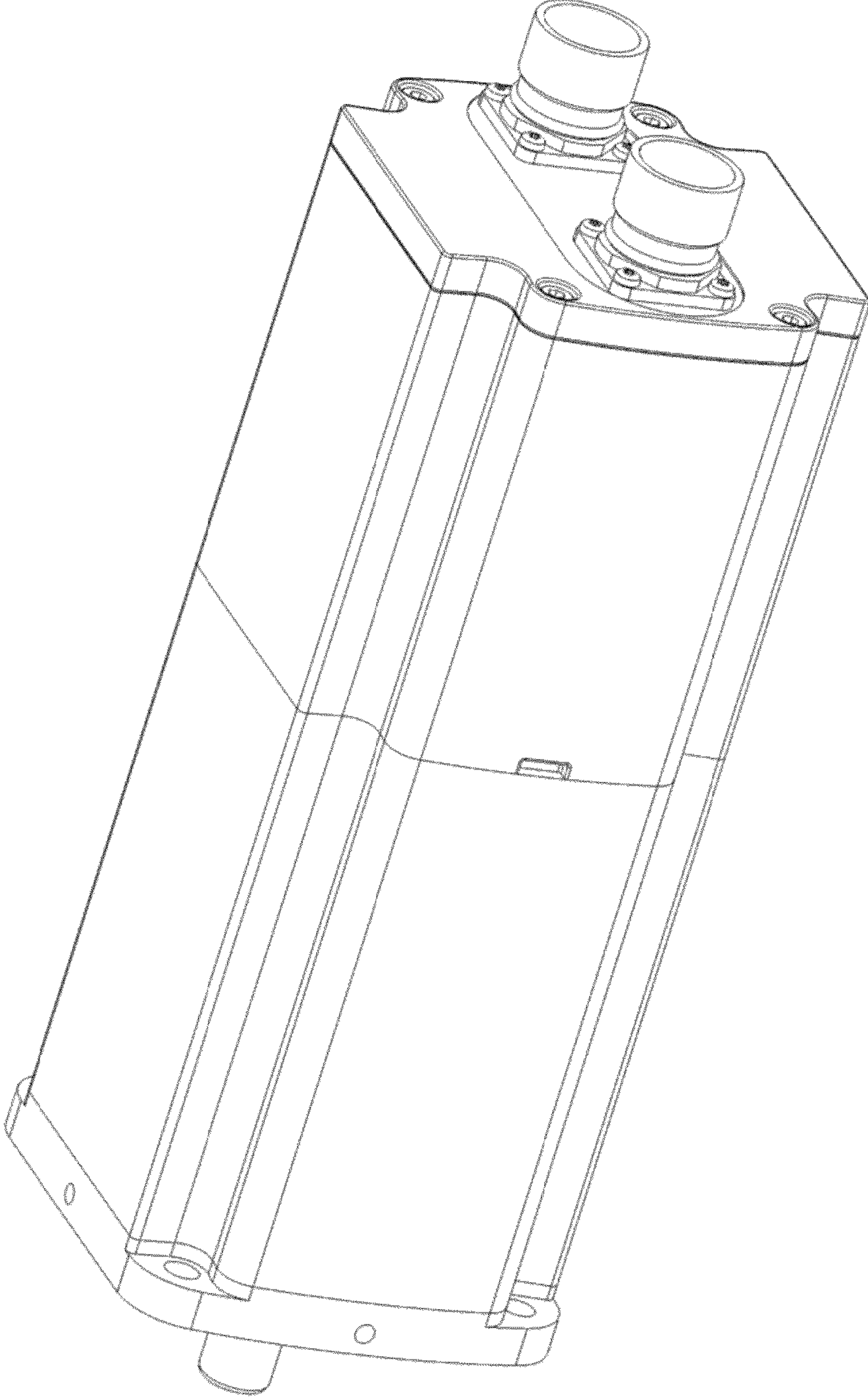


FIG. 1

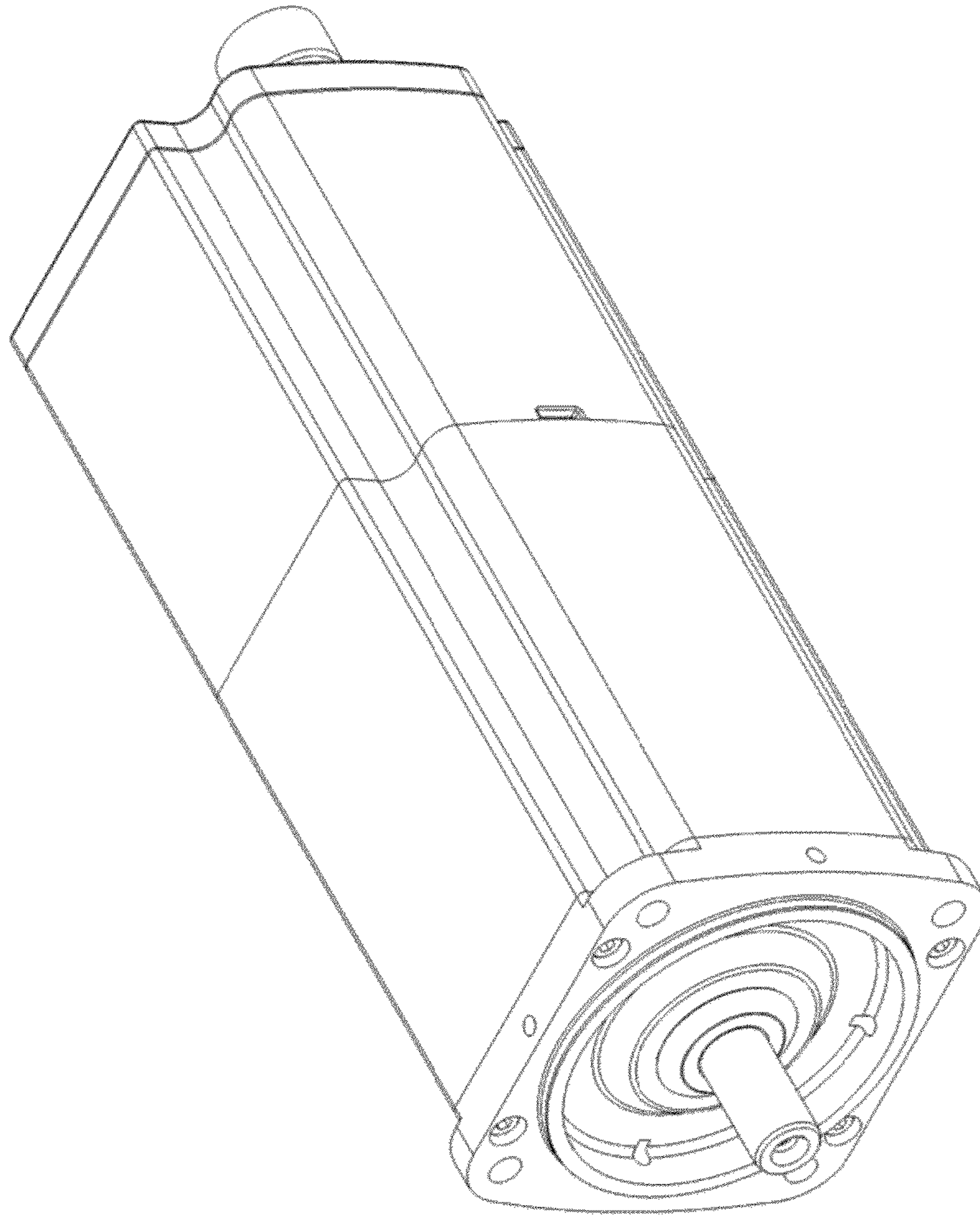


FIG. 2

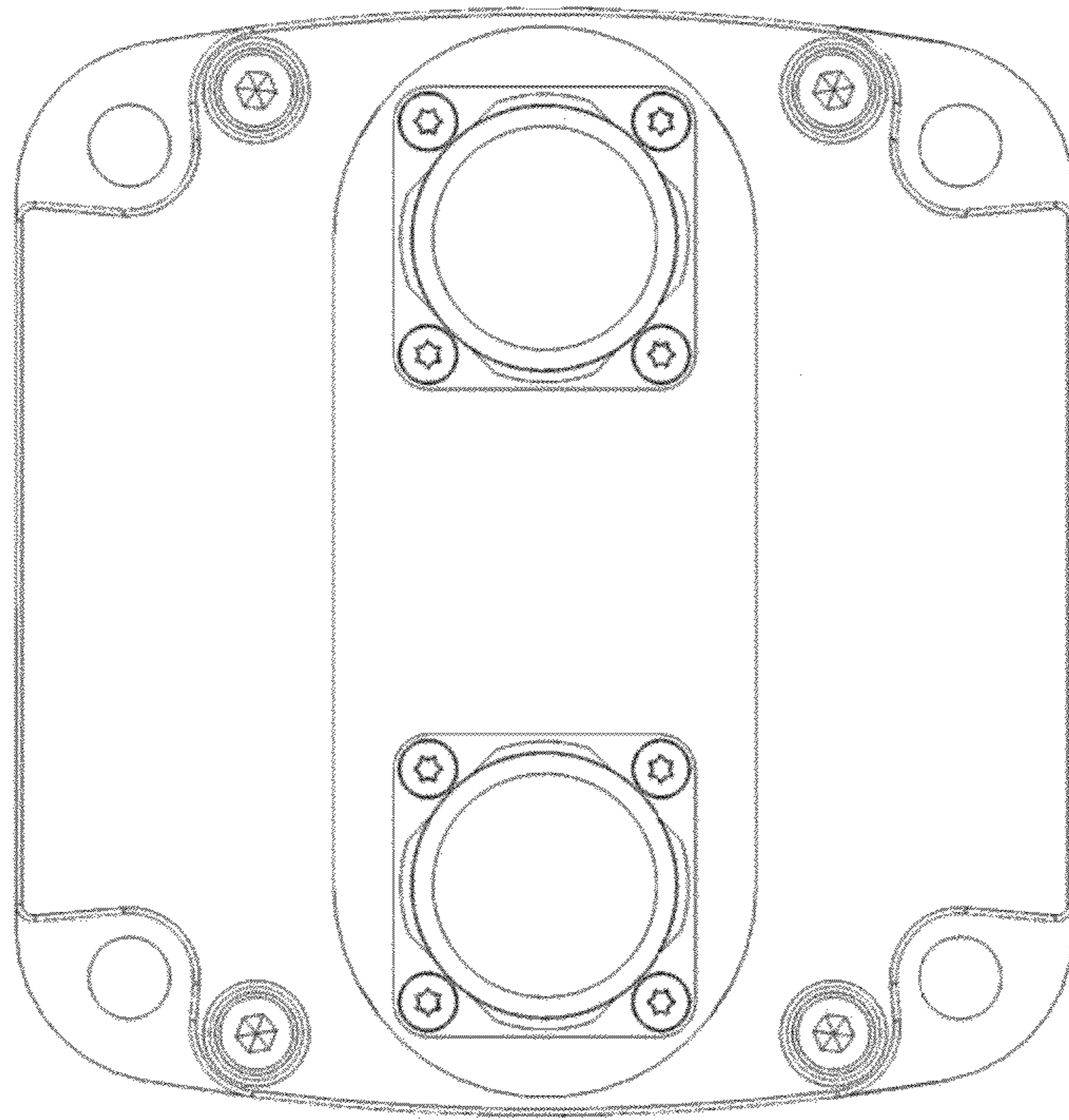


FIG. 3

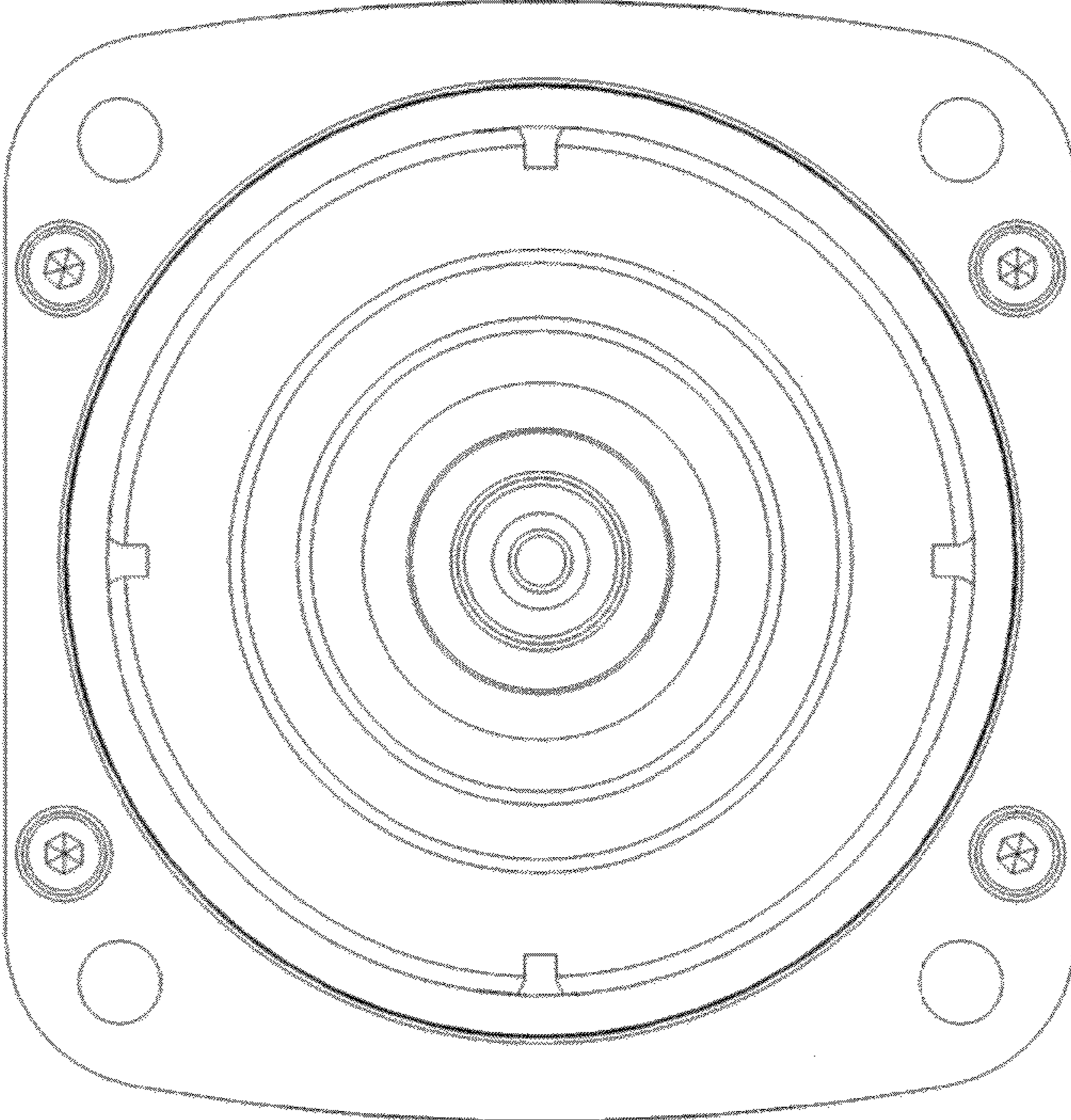


FIG. 4

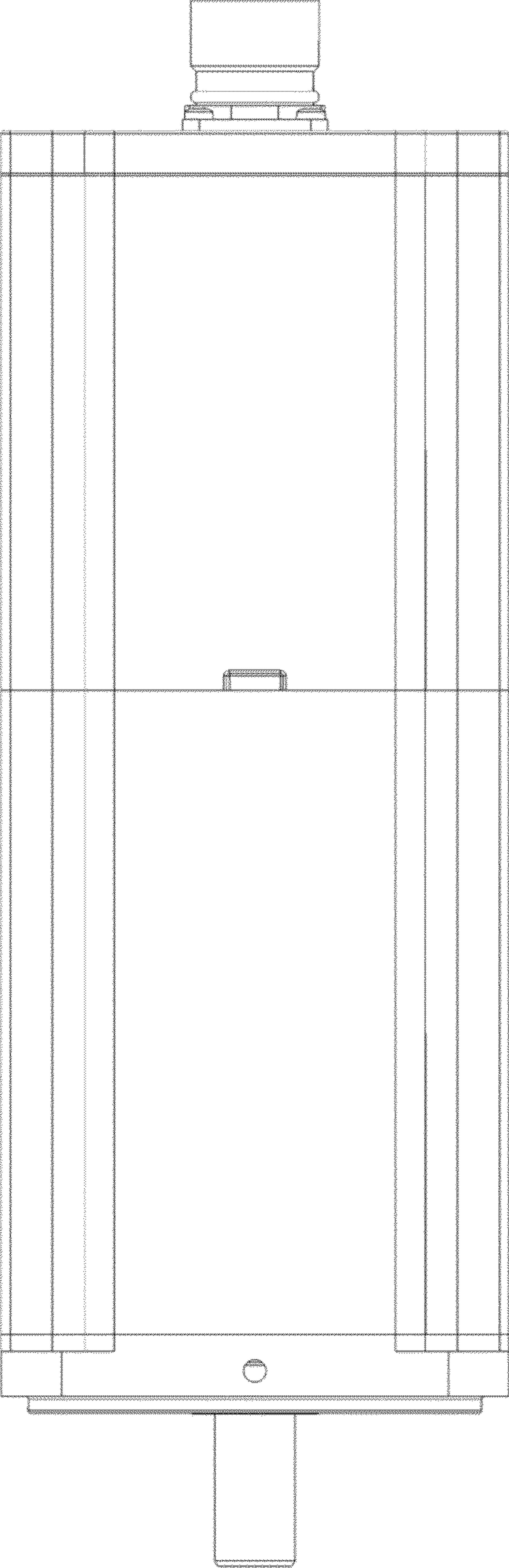


FIG. 5

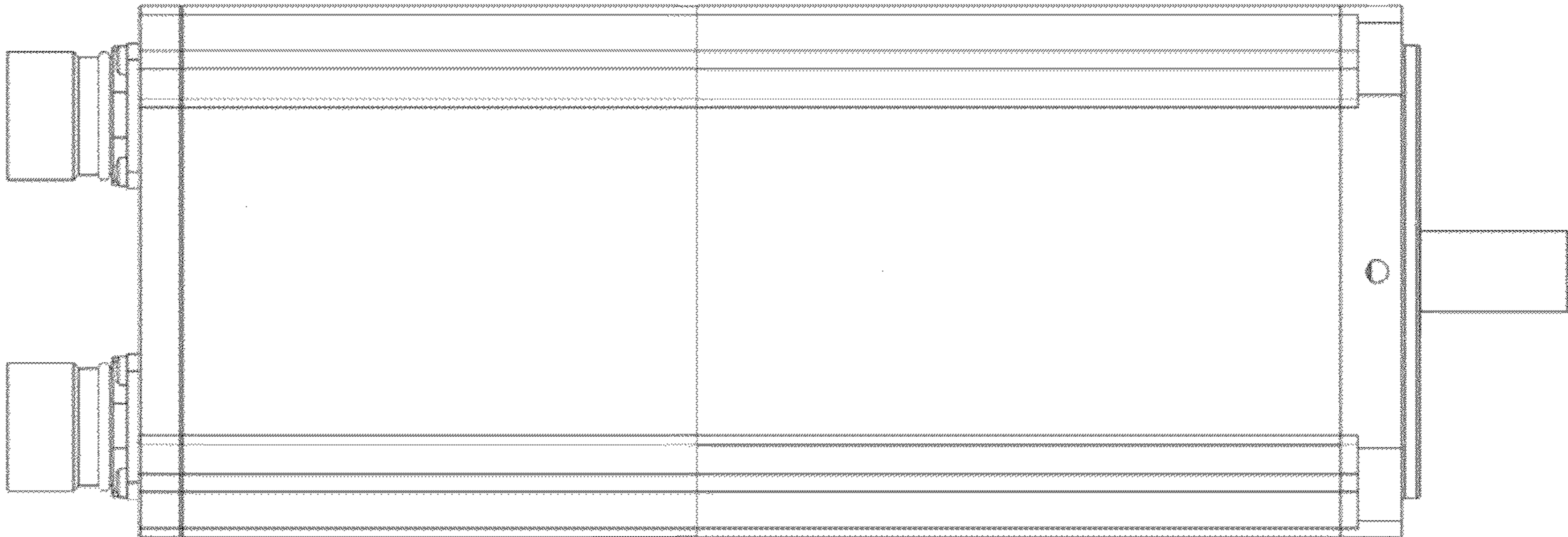


FIG. 6