



US00D688626S

(12) **United States Design Patent**
Ye

(10) **Patent No.:** **US D688,626 S**

(45) **Date of Patent:** **** Aug. 27, 2013**

(54) **CURRENT TRANSDUCER**

(71) Applicant: **LEM Intellectual Property SA,**
Fribourg (CH)

(72) Inventor: **Nanshan Ye,** Beijing (CN)

(73) Assignee: **LEM Intellectual Property SA,**
Fribourg (CH)

(**) Term: **14 Years**

(21) Appl. No.: **29/437,383**

(22) Filed: **Nov. 15, 2012**

(30) **Foreign Application Priority Data**

May 16, 2012 (WO) 669612801

(51) **LOC (9) Cl.** **13-02**

(52) **U.S. Cl.**
USPC **D13/110**

(58) **Field of Classification Search**
USPC D13/110, 101, 117, 123, 124, 159,
D13/184, 199; D10/75; 73/767, 771, 779,
73/801, 811; 324/117 H, 117 R, 120, 121 R,
324/127; 361/18, 30, 31, 93.1-93.9; 367/140;
369/13.11-13.13; 381/150; 336/173, 176,
336/178

See application file for complete search history.

(56) **References Cited**

U.S. PATENT DOCUMENTS

D288,314	S	*	2/1987	Makinson et al.	D13/110
4,794,326	A	*	12/1988	Friedl	324/117 R
5,103,163	A	*	4/1992	McLyman	324/117 H
5,587,651	A	*	12/1996	Berkcan et al.	324/127
D468,683	S	*	1/2003	Maurer	D13/101
6,727,683	B2	*	4/2004	Goto et al.	324/117 H
D534,120	S	*	12/2006	Ricci et al.	D13/110

* cited by examiner

Primary Examiner — Derrick Holland

(74) *Attorney, Agent, or Firm* — Sterne, Kessler, Goldstein & Fox, P.L.L.C.

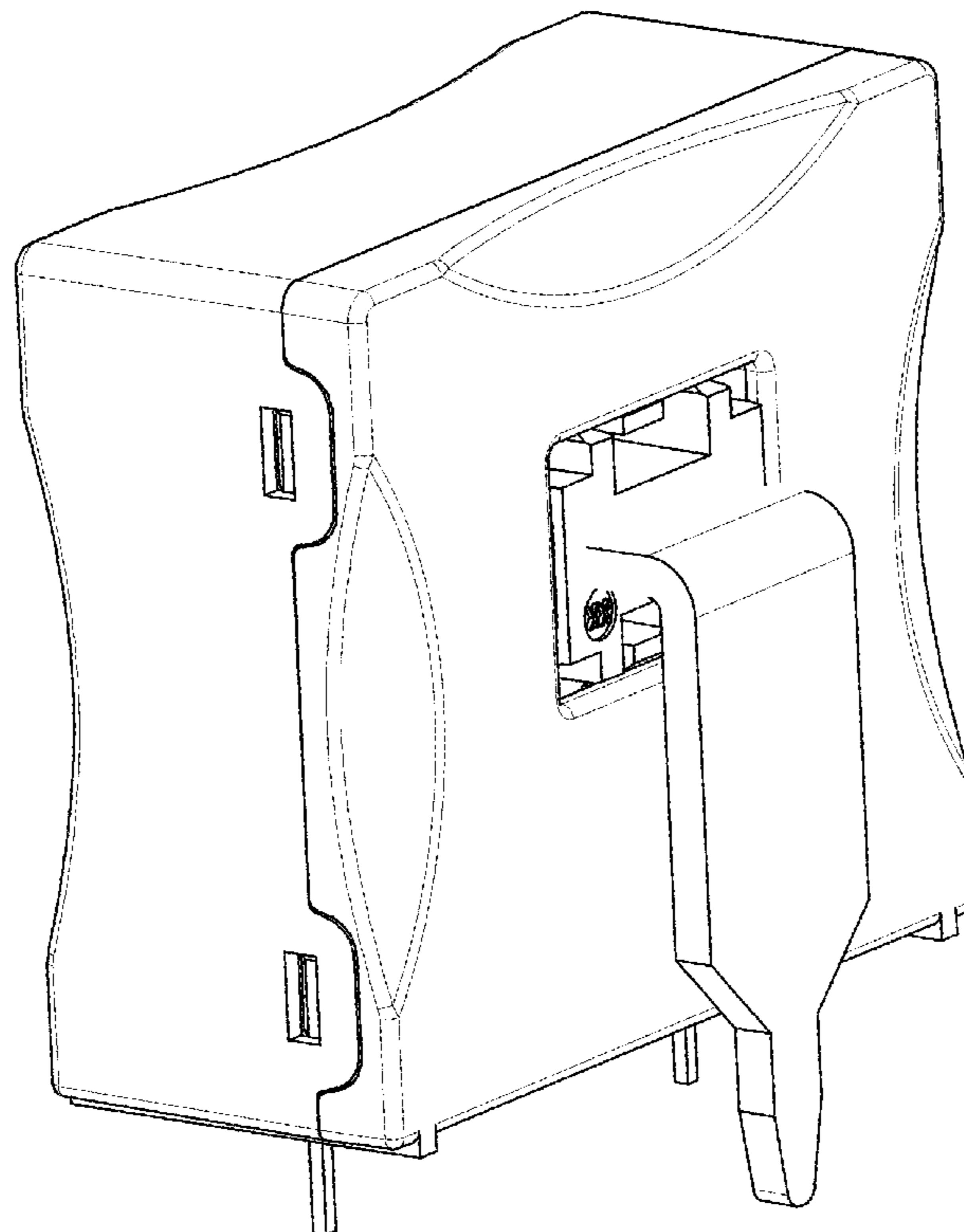
(57) **CLAIM**

The ornamental design for a current transducer, as shown and described.

DESCRIPTION

FIG. 1 is a rear perspective view of a current transducer showing my new design;
FIG. 2 is another rear perspective view thereof;
FIG. 3 is a front view thereof;
FIG. 4 is a rear view thereof;
FIG. 5 is a bottom plan view thereof;
FIG. 6 is a top plan view thereof;
FIG. 7 is a left side view thereof; and,
FIG. 8 is a right side view thereof.
The shade lines in the Figures show contour, and not surface ornamentation.

1 Claim, 8 Drawing Sheets



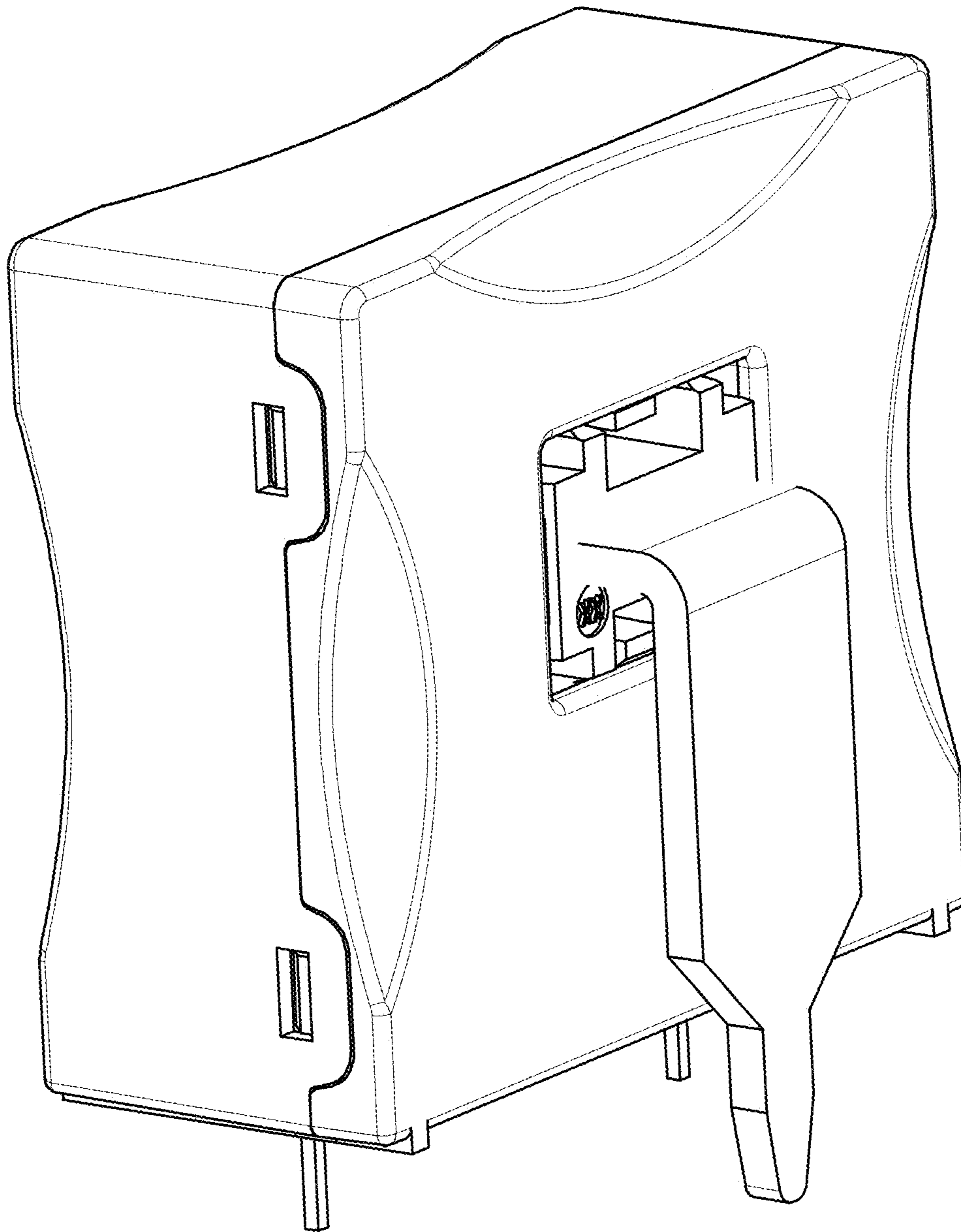


FIG. 1

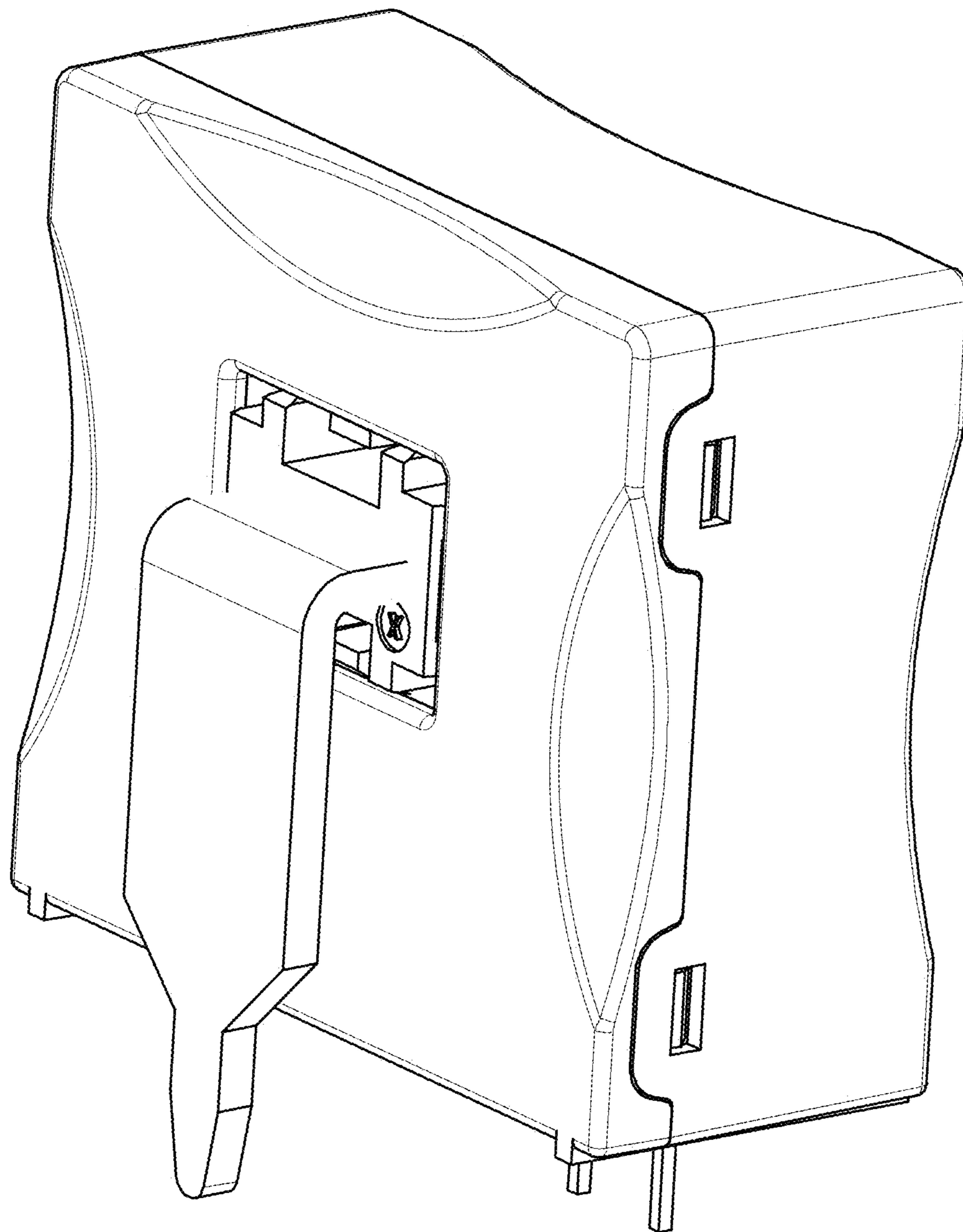


FIG. 2

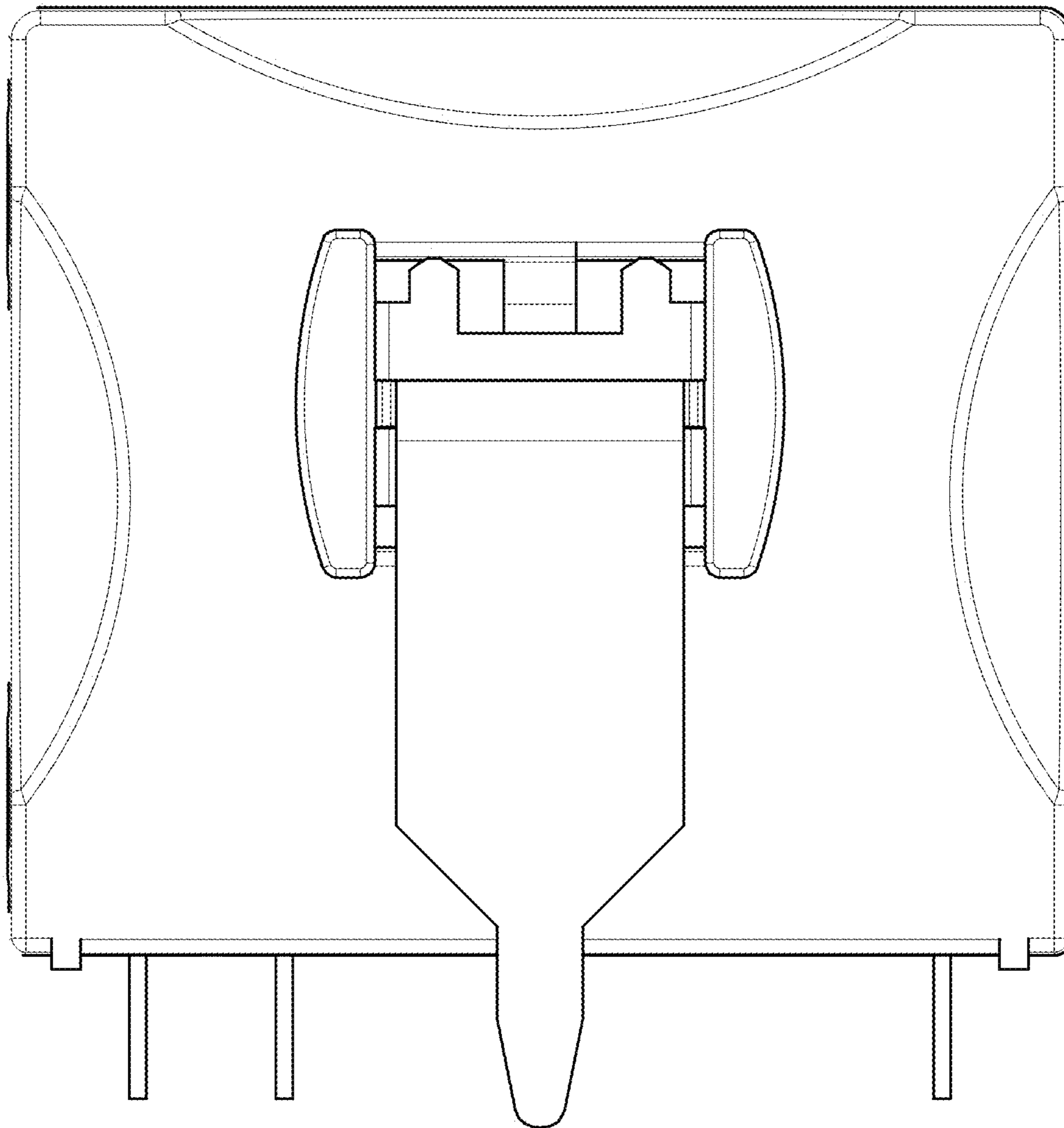


FIG. 3

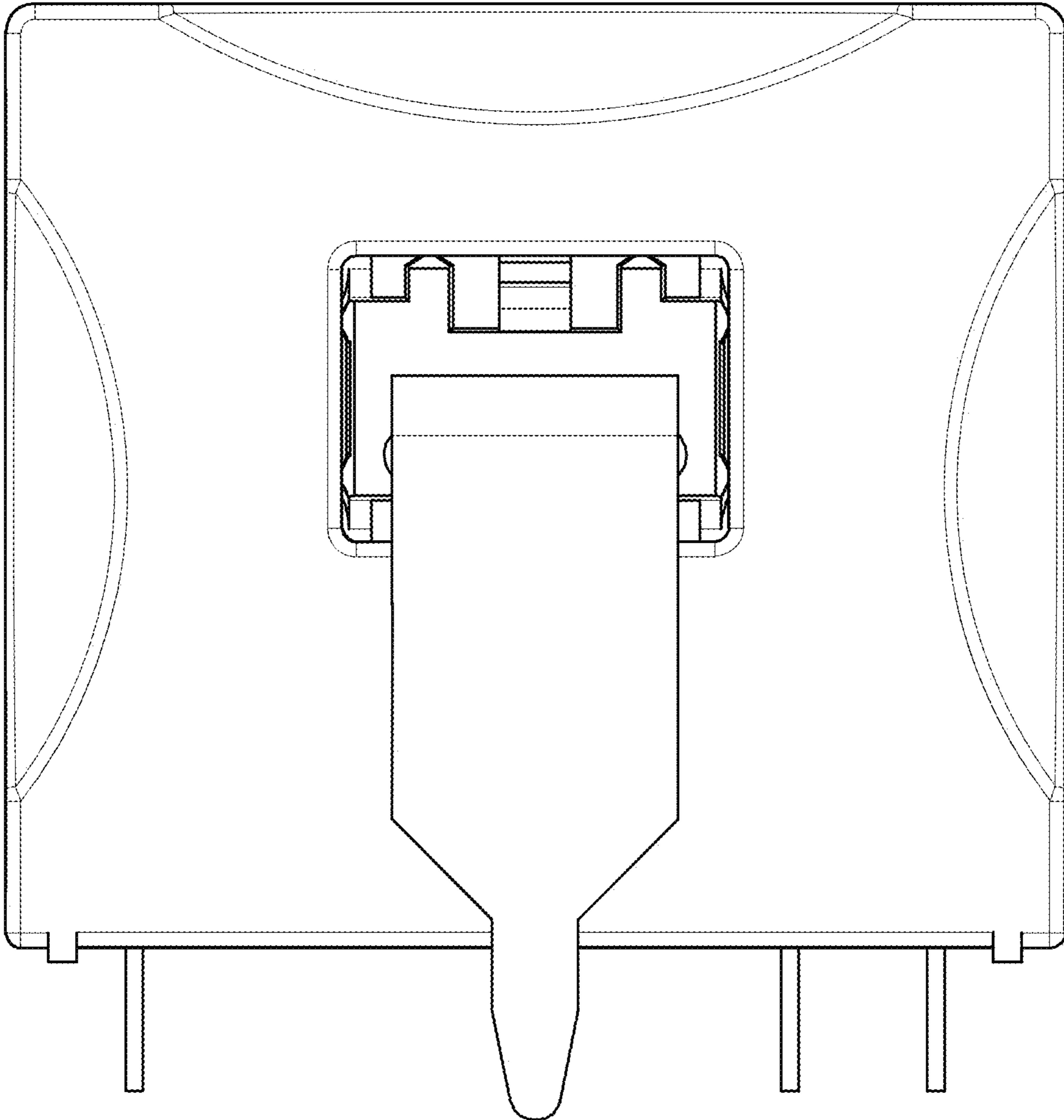


FIG. 4

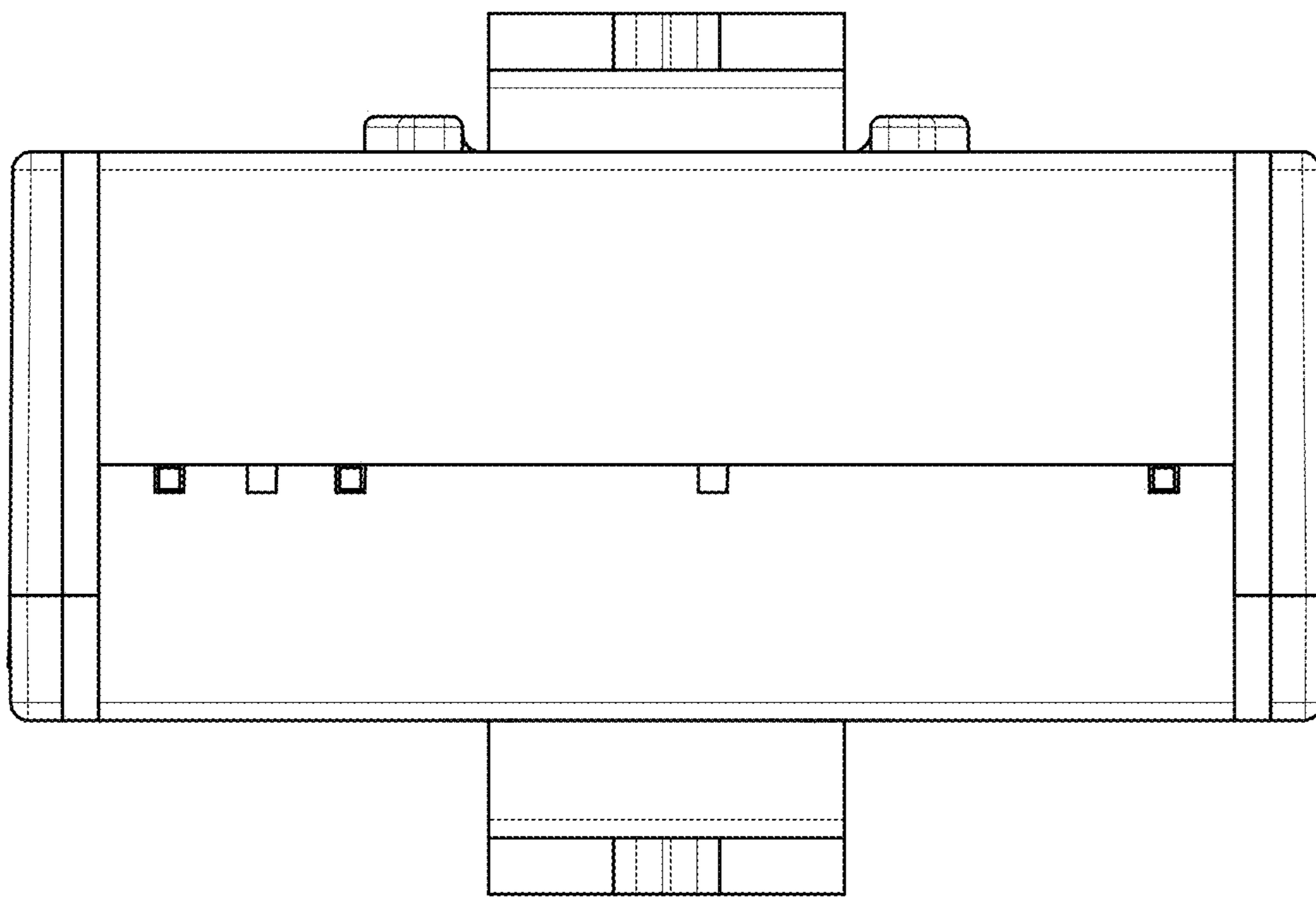


FIG. 5

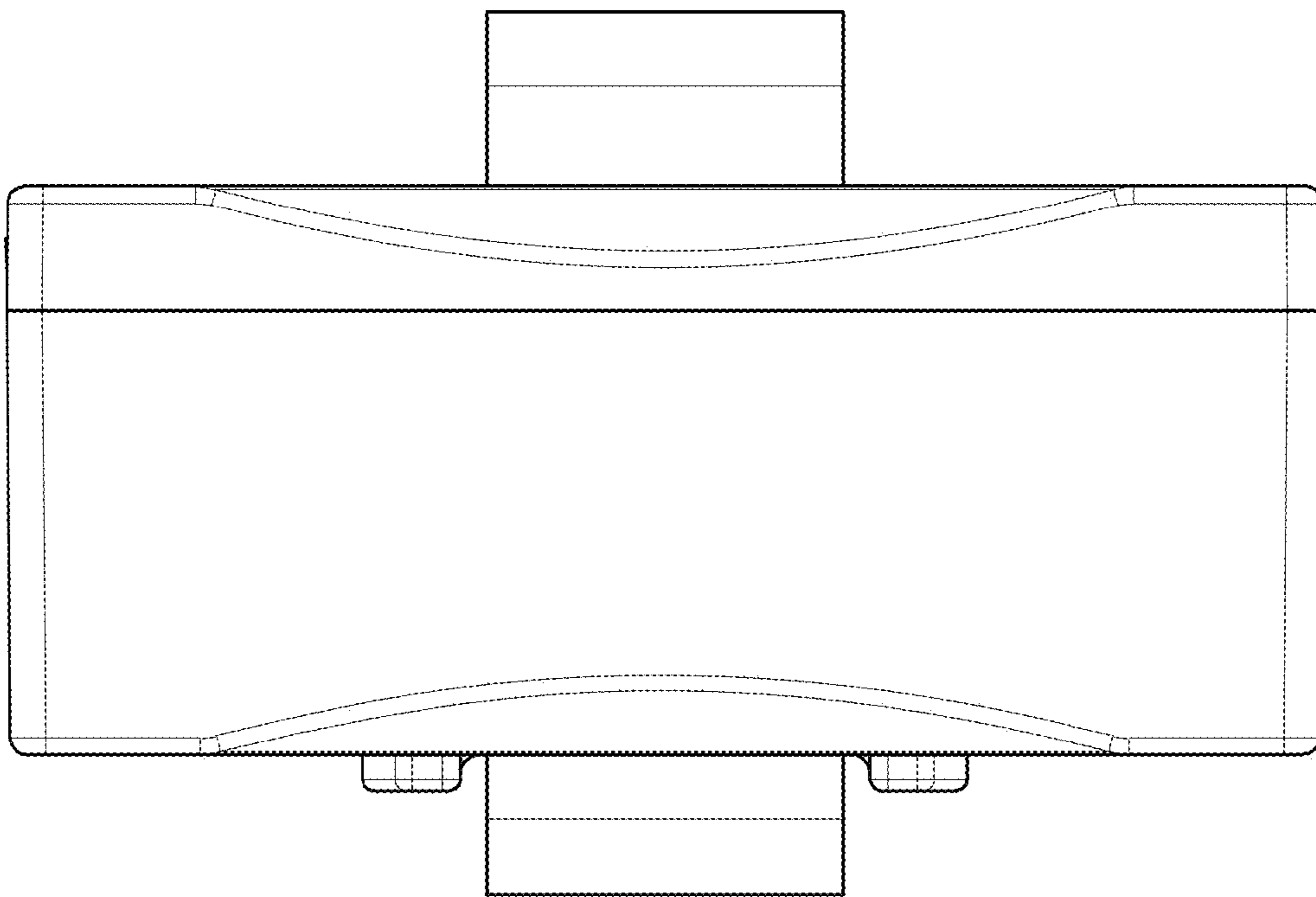


FIG. 6

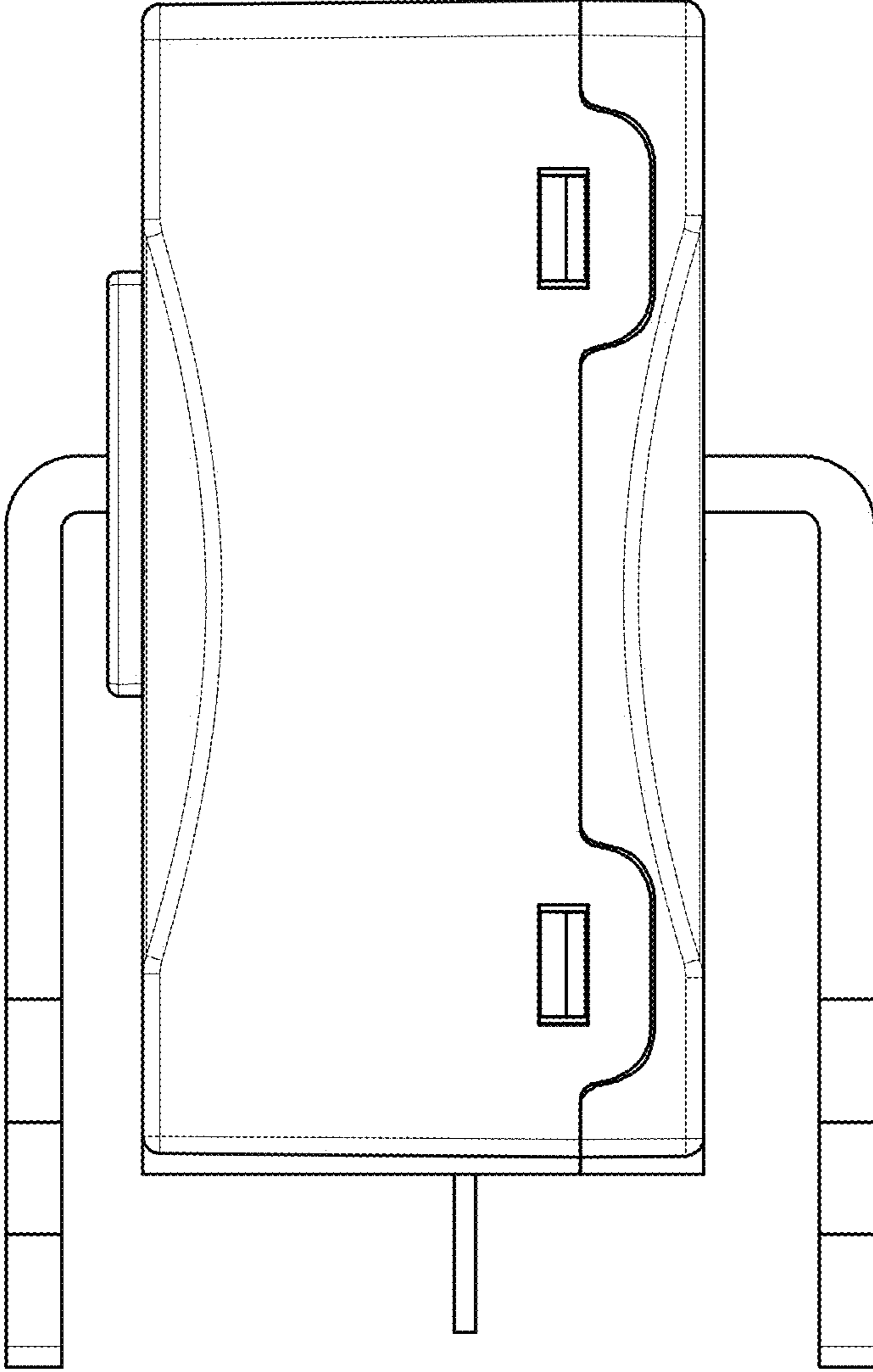


FIG. 7

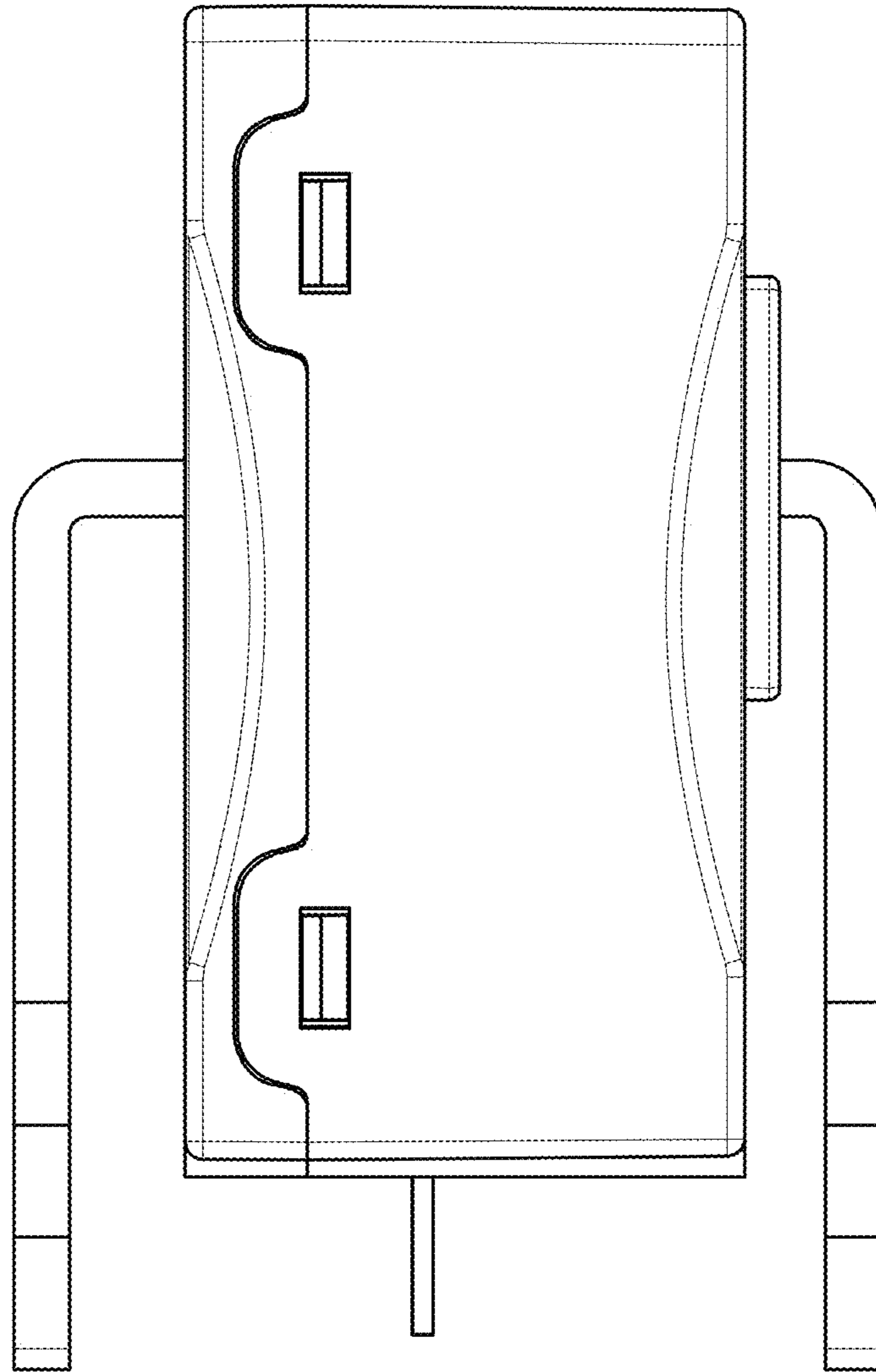


FIG. 8