



US00D688625S

(12) **United States Design Patent**
Fulk et al.

(10) **Patent No.:** **US D688,625 S**
(45) **Date of Patent:** **** Aug. 27, 2013**

(54) **POWER TRANSMISSION LINE**
(75) Inventors: **Meihuan Zhu Fulk**, Lewis Center, OH (US); **Richard Gutman**, Columbus, OH (US)

D369,785 S * 5/1996 Cotee D13/184
D381,096 S * 7/1997 Tallon D25/127
D387,881 S * 12/1997 Tallon D25/127
D402,379 S * 12/1998 Mimram D25/127
D610,087 S * 2/2010 Johnson D13/110
D613,686 S * 4/2010 Mueller et al. D13/110

(73) Assignee: **AEP Transmission Holding Company, LLC**, Columbus, OH (US)

* cited by examiner

(**) Term: **14 Years**

Primary Examiner — Derrick Holland

(21) Appl. No.: **29/428,106**

(74) *Attorney, Agent, or Firm* — Standley Law Group LLP

(22) Filed: **Jul. 26, 2012**

(51) **LOC (9) Cl.** **13-02**

(52) **U.S. Cl.**
USPC **D13/110**

(58) **Field of Classification Search**
USPC D13/110, 101, 102, 118, 123, 124, D13/184, 199; D8/356; D25/126, 127, 128, D25/129; 52/147, 223.5, 296; 174/40 R, 174/41, 42, 43, 45 R, 40 TD
See application file for complete search history.

(57) **CLAIM**
The ornamental design for a power transmission line, as shown and described.

DESCRIPTION

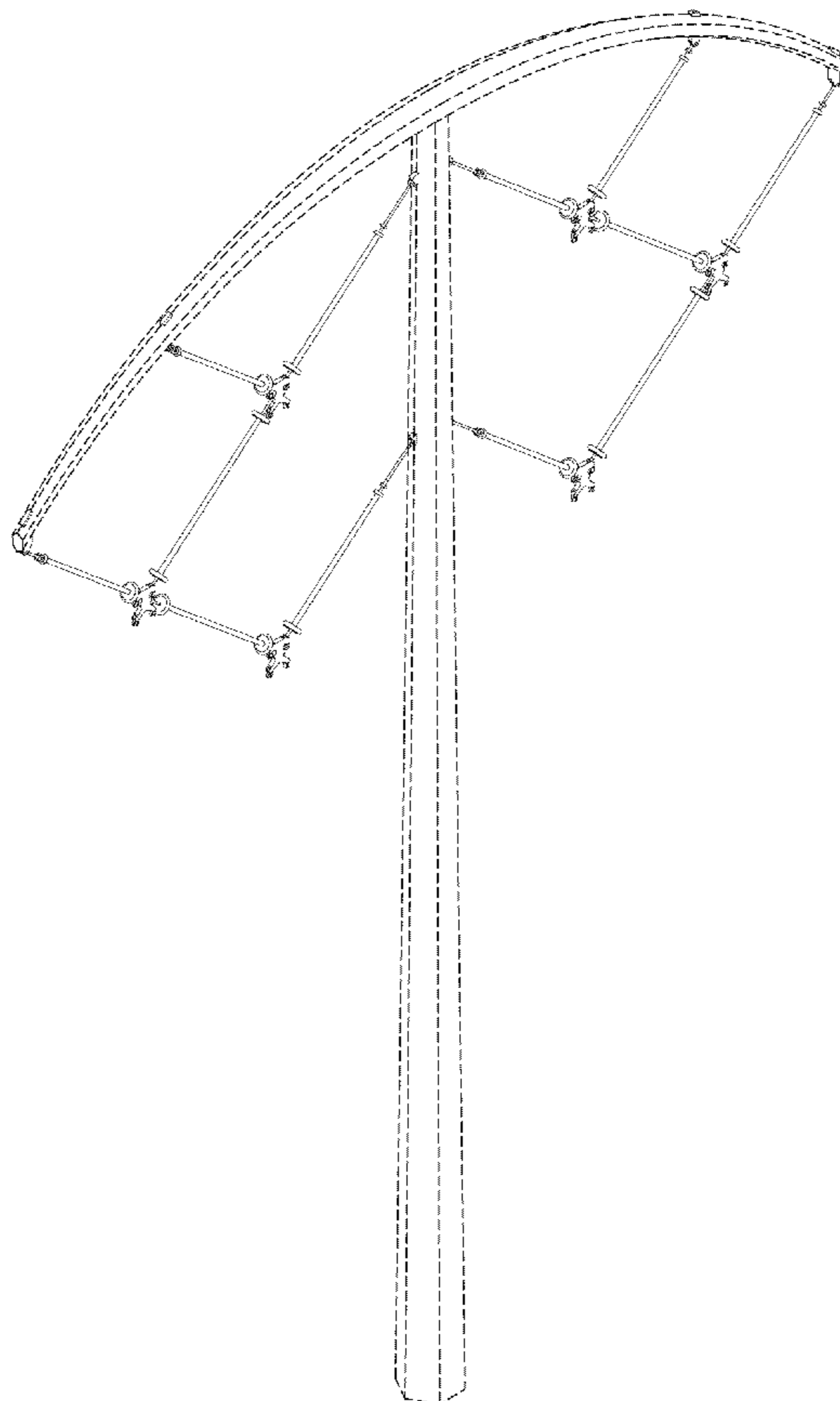
FIG. 1 is a perspective view of a power transmission line showing our new design;
FIG. 2 is a front elevational view thereof;
FIG. 3 is a right side elevational view thereof, the left side elevational view being a mirror image;
FIG. 4 is a top plan view thereof; and,
FIG. 5 is a bottom plan view thereof.
The portions illustrated by broken lines relate to environmental structure that does not form part of the claimed design.

(56) **References Cited**

U.S. PATENT DOCUMENTS

D211,089 S * 5/1968 Dreyfuss D25/127
D242,765 S * 12/1976 Patrick D8/356

1 Claim, 3 Drawing Sheets



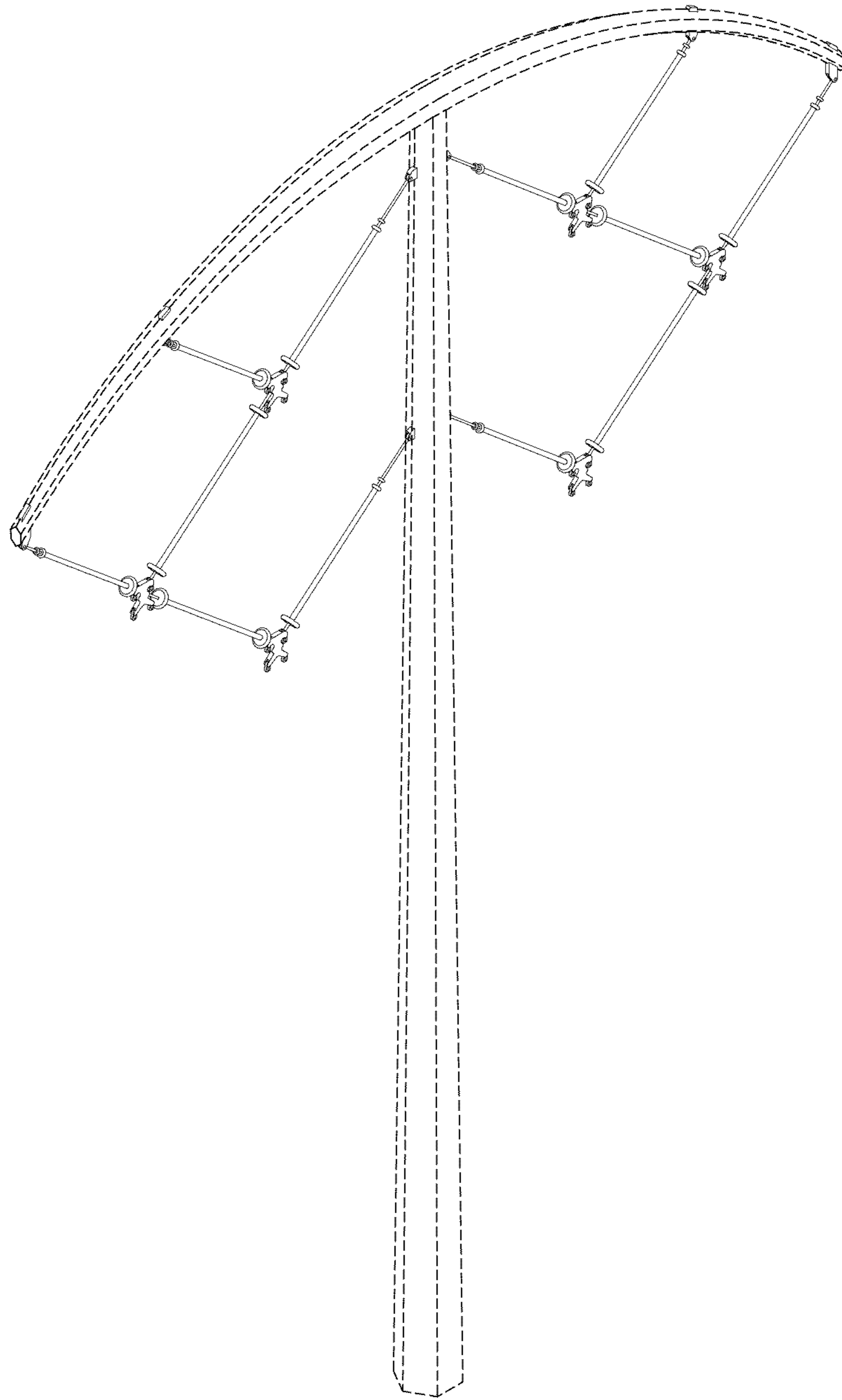


FIG-1

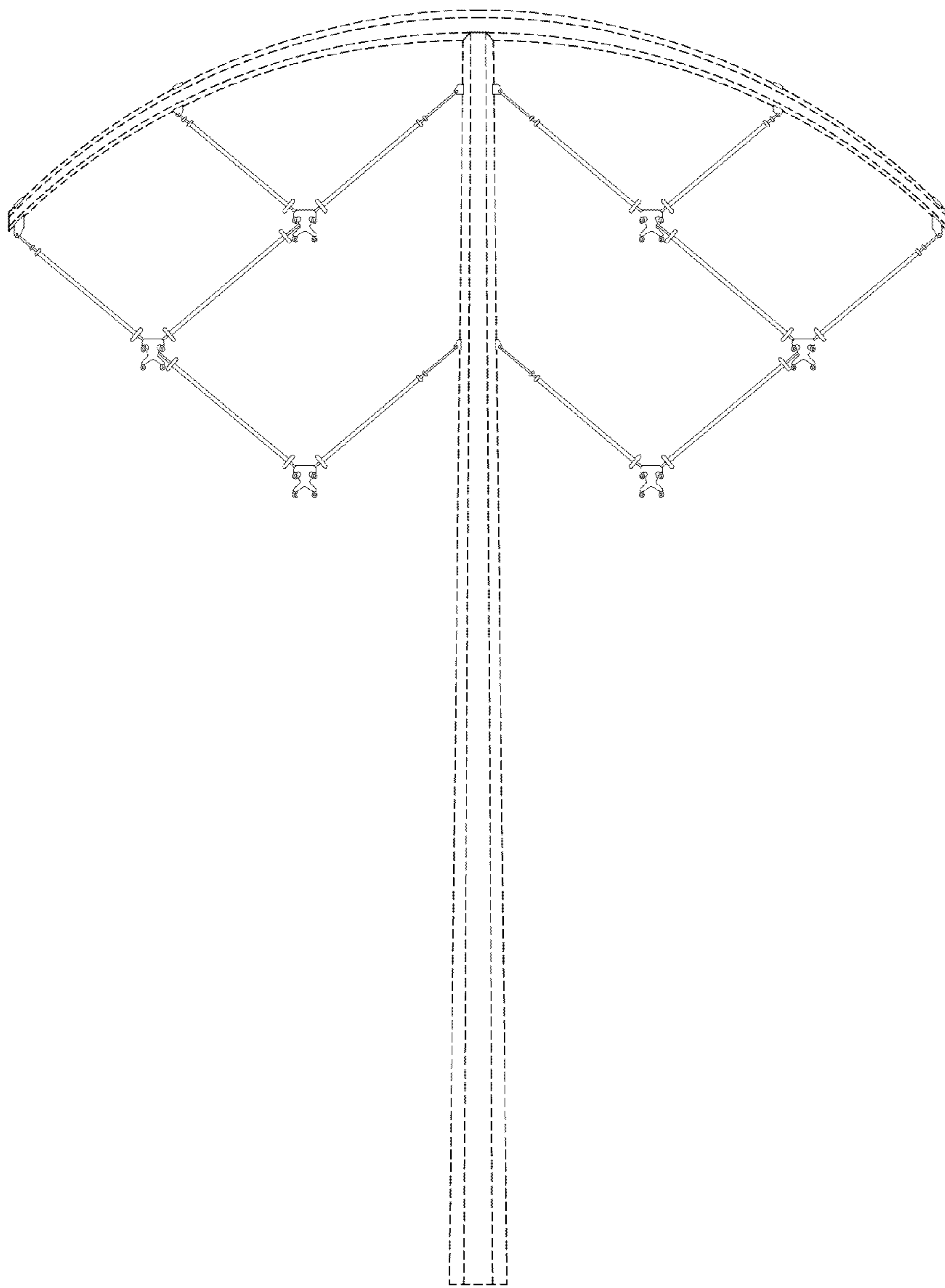


FIG-2

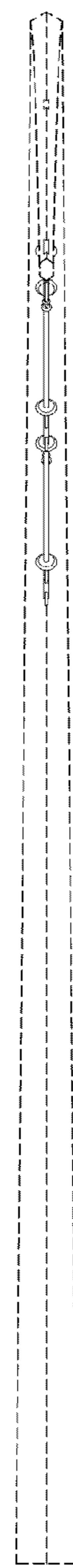


FIG-3

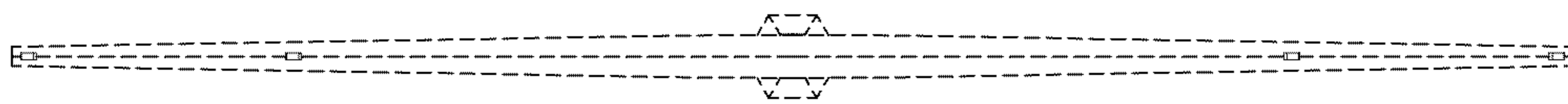


FIG-4



FIG-5