



US00D688623S

(12) **United States Design Patent**
Carreon et al.

(10) **Patent No.:** **US D688,623 S**

(45) **Date of Patent:** **** Aug. 27, 2013**

(54) **UNIVERSAL CHARGING DOCK**

(71) Applicant: **Superior Communications, Inc.**,
Irwindale, CA (US)

(72) Inventors: **Kristopher Carreon**, Montebello, CA
(US); **Soo Youn Park**, Tustin, CA (US);
Mervyn Cheung, Alhambra, CA (US)

(73) Assignee: **Superior Communications, Inc.**,
Irwindale, CA (US)

(**) Term: **14 Years**

(21) Appl. No.: **29/444,144**

(22) Filed: **Jan. 25, 2013**

(51) **LOC (9) Cl.** **13-02**

(52) **U.S. Cl.**
USPC **D13/107**

(58) **Field of Classification Search**
USPC D13/107-110, 118-119, 184, 199;
D14/217, 251, 253, 432, 434; 320/107-115

See application file for complete search history.

(56) **References Cited**

U.S. PATENT DOCUMENTS

D489,325	S	*	5/2004	Nakamura	D13/110
D512,418	S	*	12/2005	Sarasjoki	D14/253
D624,919	S	*	10/2010	Bull	D14/434
D645,847	S	*	9/2011	Chau	D14/217
D649,113	S	*	11/2011	Ploss	D13/108
D657,741	S	*	4/2012	Fahrendorff et al.	D13/108
D674,392	S	*	1/2013	Cheng et al.	D14/434
D676,832	S	*	2/2013	Akana et al.	D14/217

* cited by examiner

Primary Examiner — Rosemary K Tarcza

(74) *Attorney, Agent, or Firm* — Snell & Wilmer, LLP

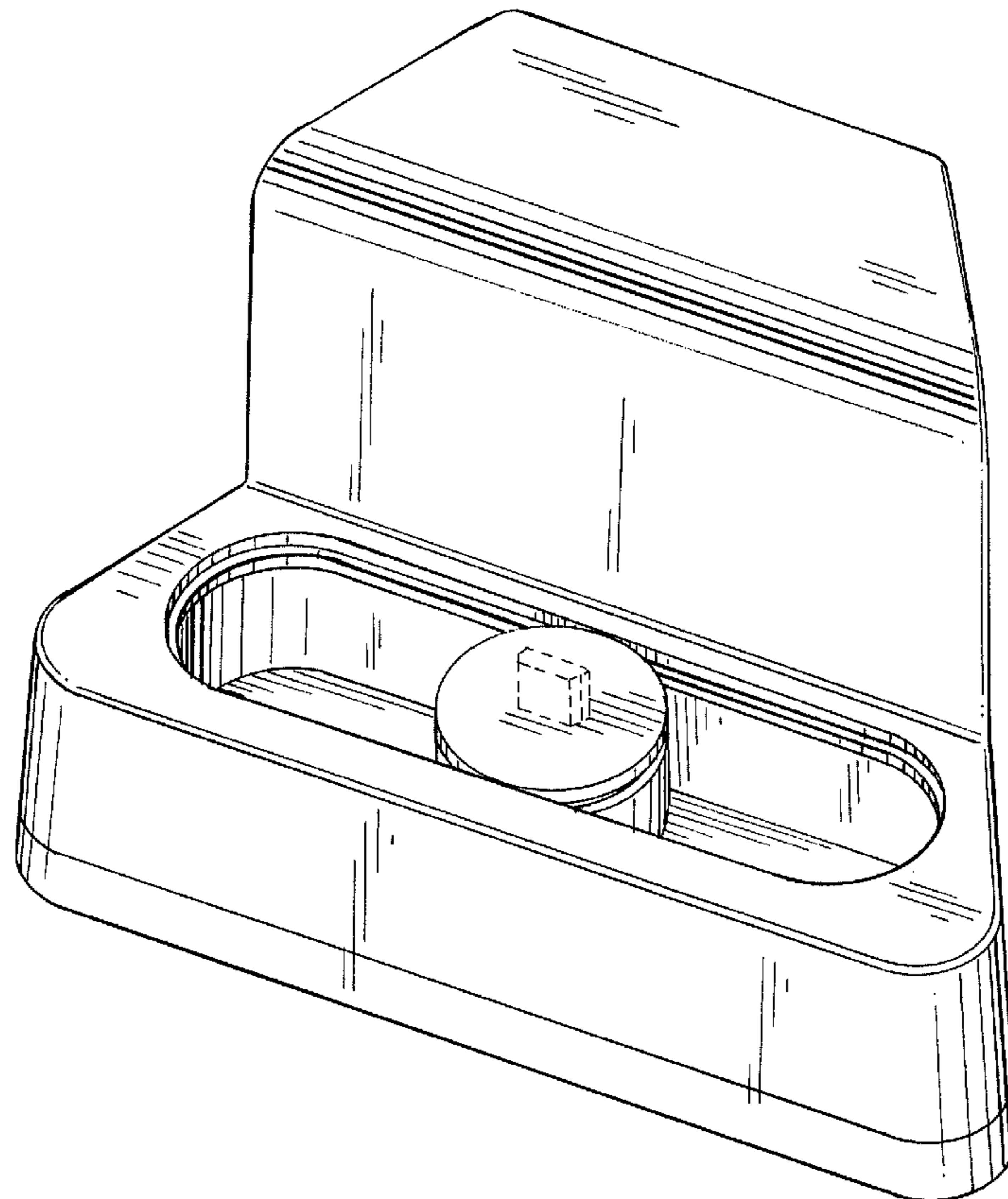
(57) **CLAIM**

We claim the ornamental design for a universal charging dock, as shown and described.

DESCRIPTION

FIG. 1 is a perspective view of a universal charging dock showing our new design;
FIG. 2 is a top view of the universal charging dock;
FIG. 3 is a right side view of the universal charging dock;
FIG. 4 is a rear view of the universal charging dock; and,
FIG. 5 is a front view of the universal charging dock.
The broken lines in the FIGURES showing the male connector are for illustrative purposes only and form no part of the claimed design.

1 Claim, 5 Drawing Sheets



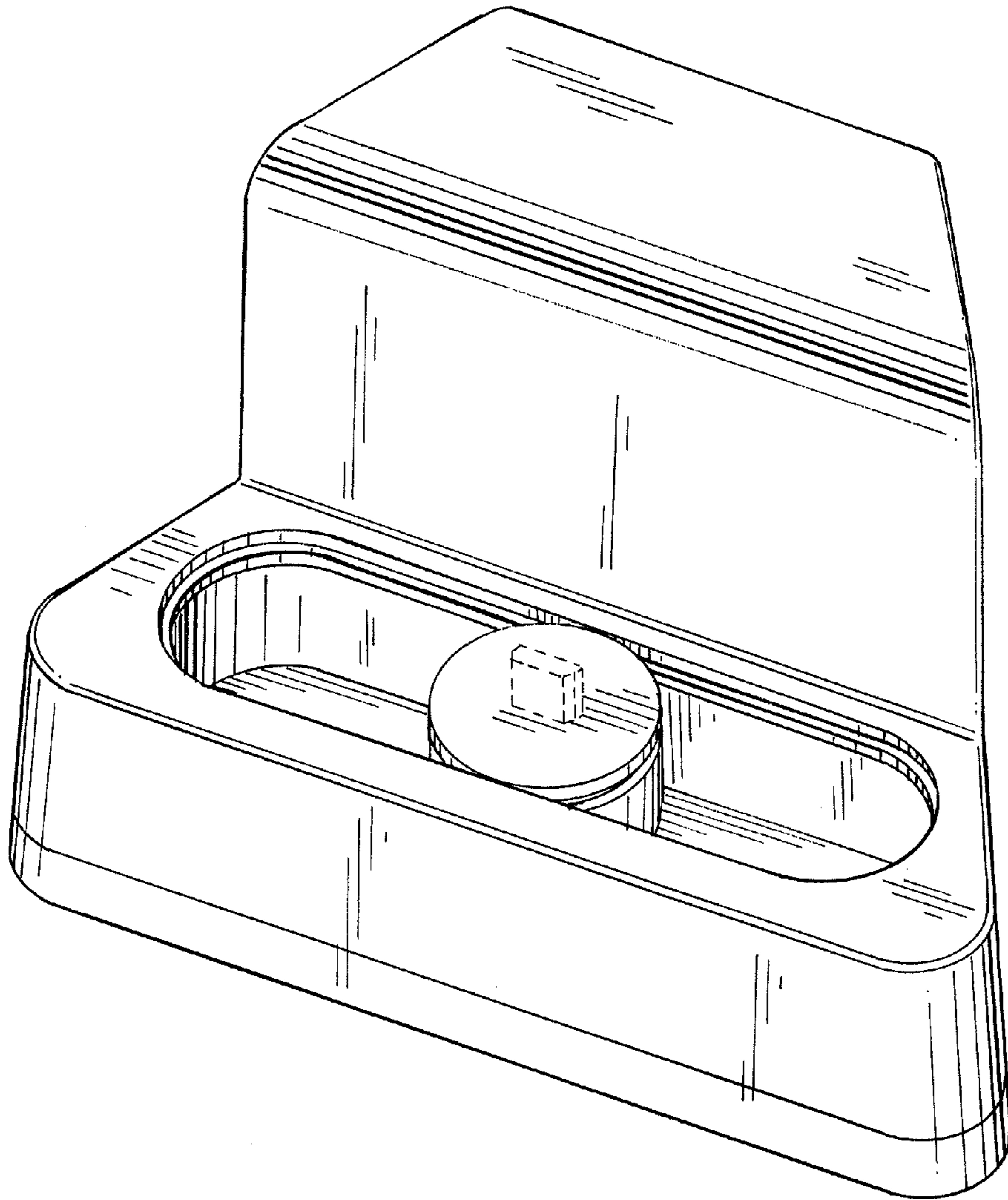


FIG. 1

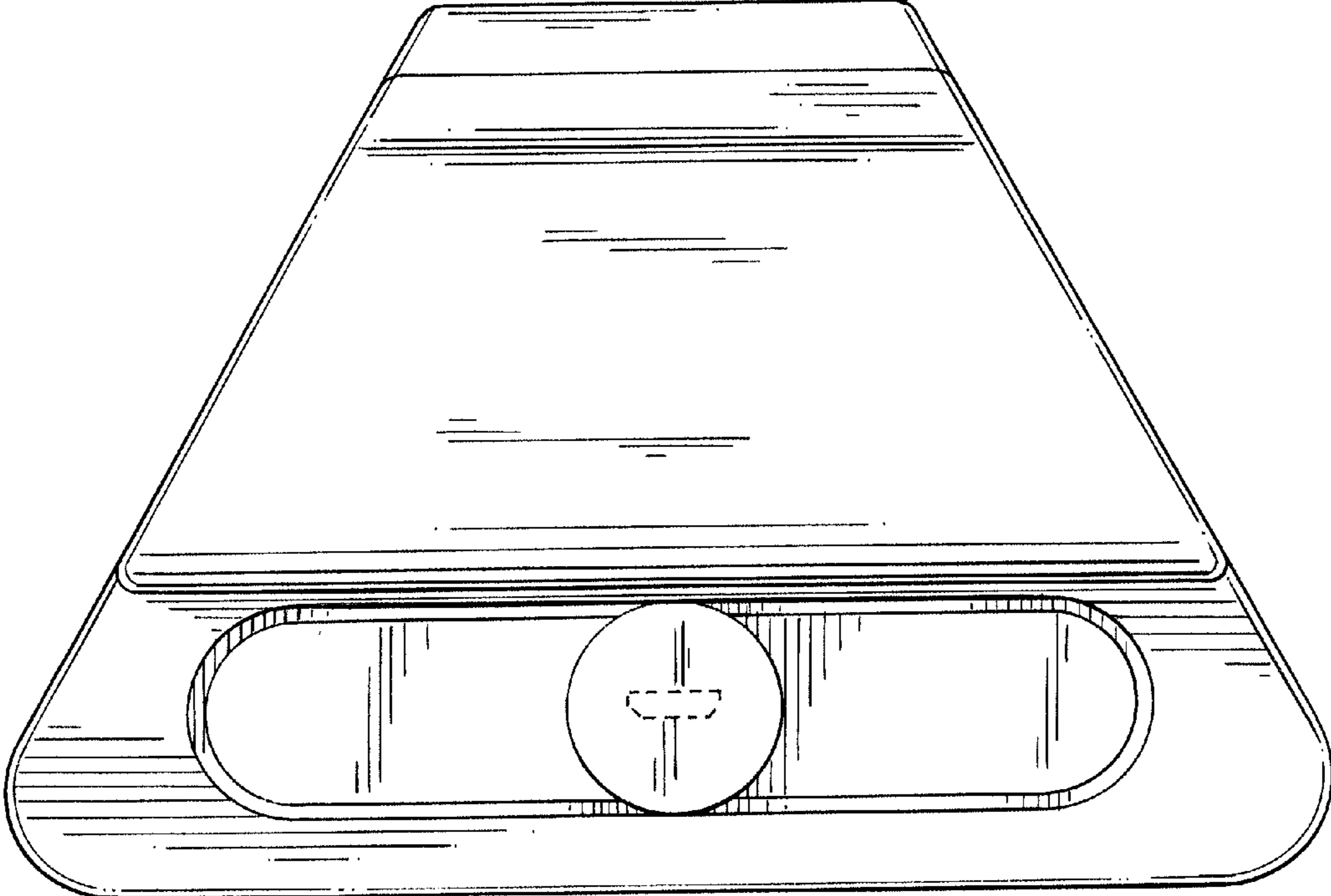


FIG. 2

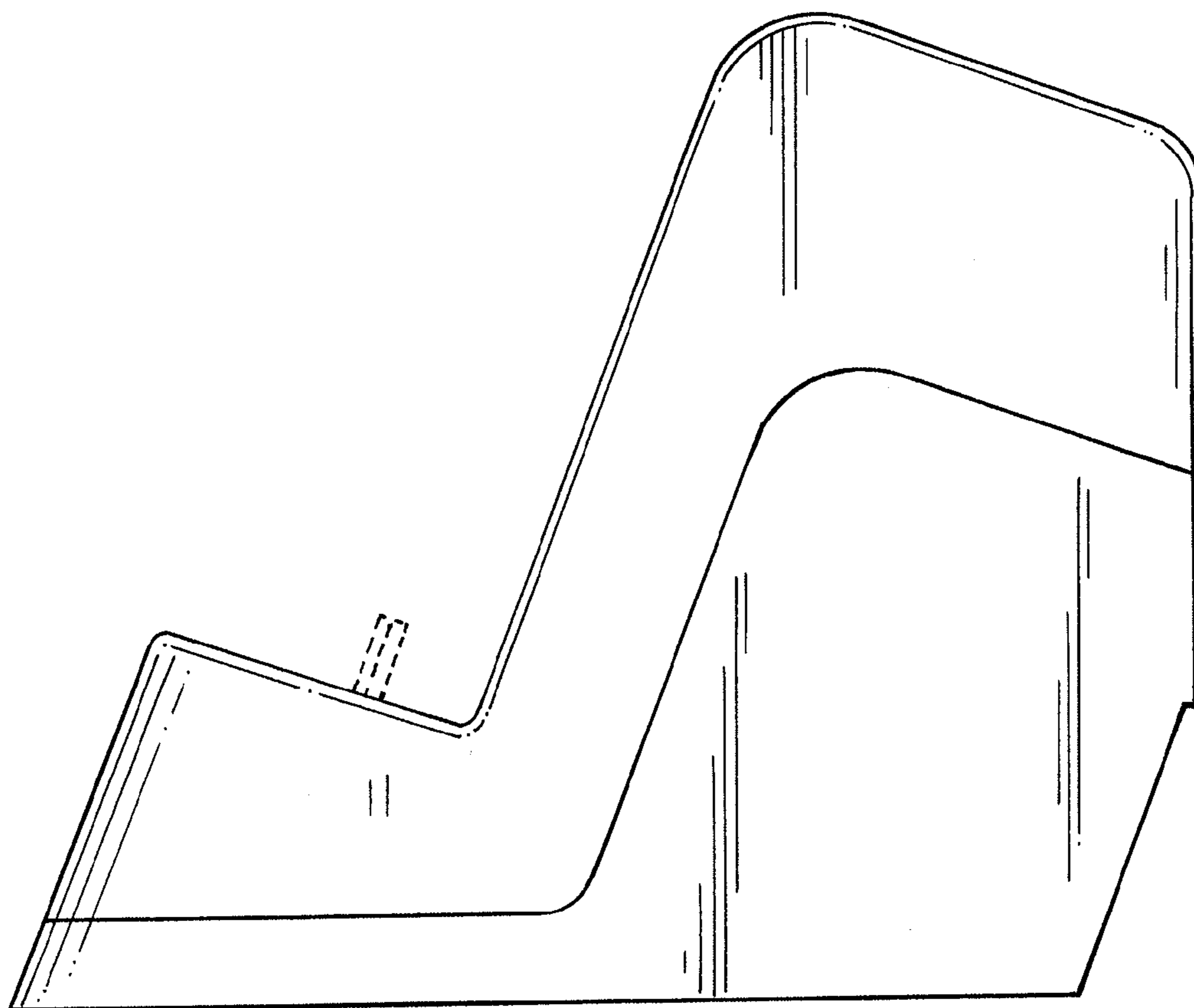


FIG. 3

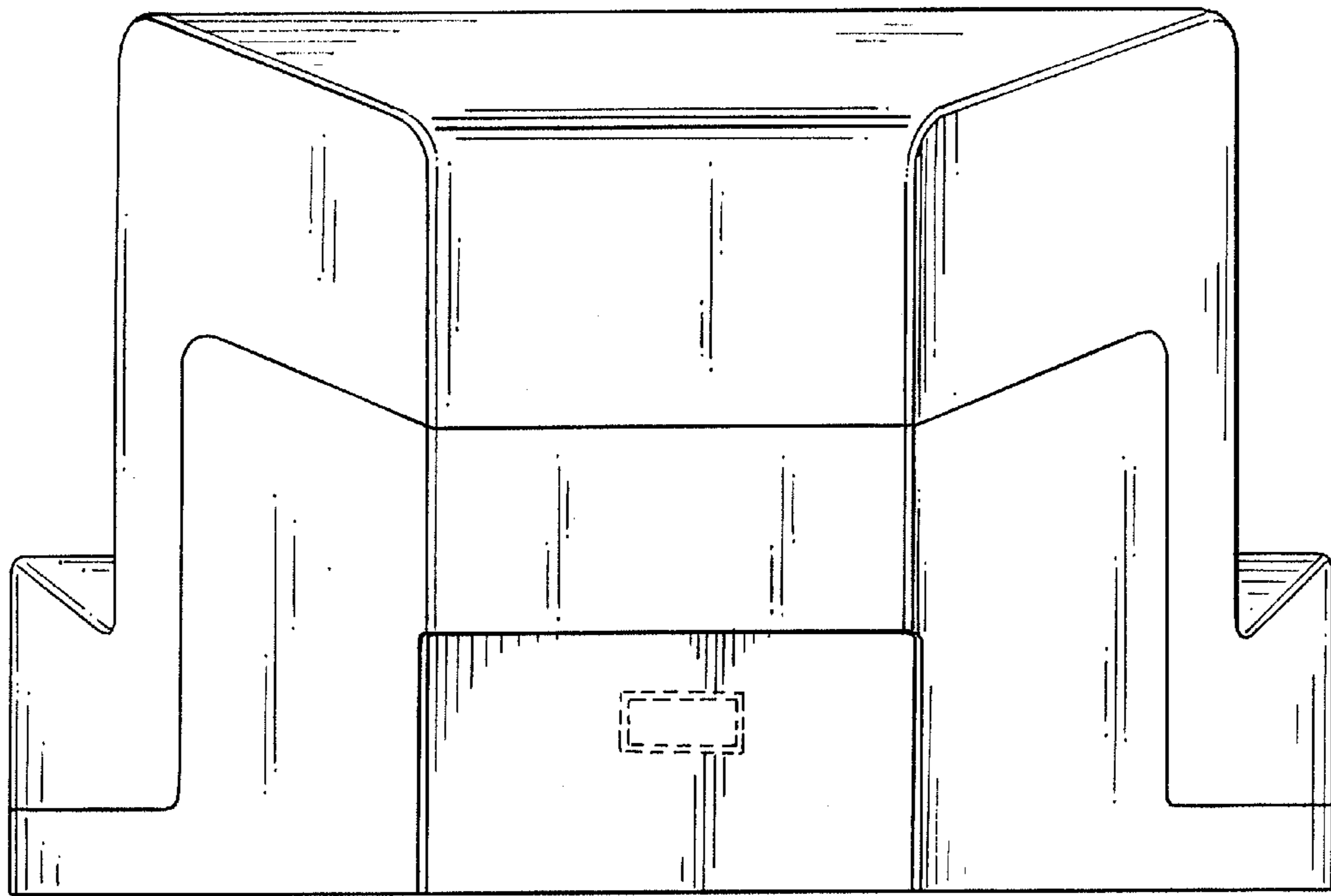


FIG. 4

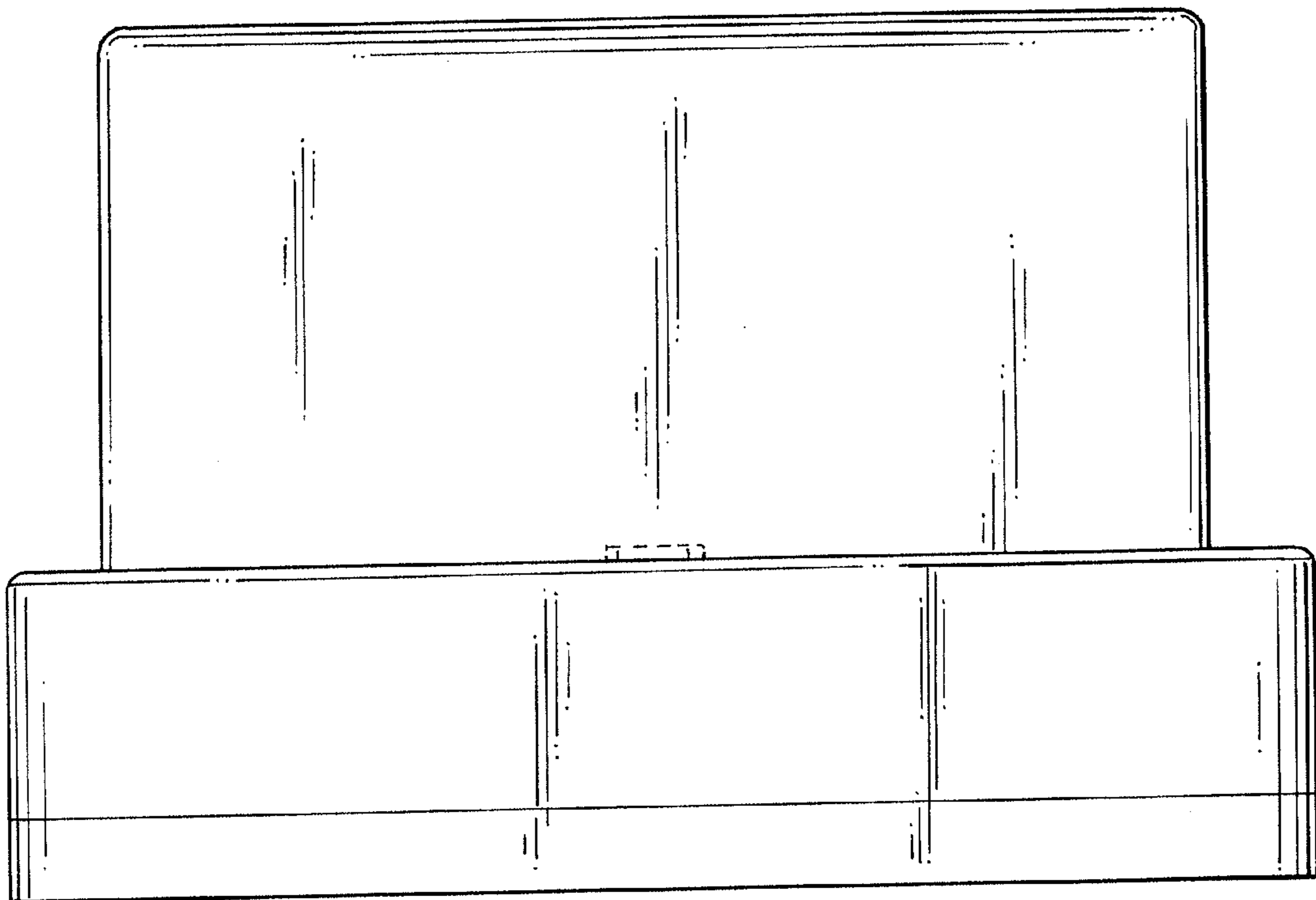


FIG. 5