



US00D688619S

(12) **United States Design Patent**  
**Camara**

(10) **Patent No.:** **US D688,619 S**

(45) **Date of Patent:** **\*\* Aug. 27, 2013**

(54) **MOTORCYCLE COVER**

(75) Inventor: **Christopher J. Camara**, Fall River, MA  
(US)

(73) Assignee: **Christopher J Camara**, Fall River, MA  
(US)

(\*\*) Term: **14 Years**

(21) Appl. No.: **29/417,723**

(22) Filed: **Apr. 6, 2012**

(51) **LOC (9) Cl.** ..... **12-16**

(52) **U.S. Cl.**  
USPC ..... **D12/402**

(58) **Field of Classification Search**  
USPC ..... D12/401-405; 160/370.21, 370.22,  
160/370.23; 280/770; 150/158, 165-167;  
296/100.11-100.18, 136.01, 136.07, 136.05,  
296/136.06, 95.1, 77.1; 135/88.01, 95  
See application file for complete search history.

(56) **References Cited**

**U.S. PATENT DOCUMENTS**

3,795,009	A *	2/1974	Gaynor	.....	346/74.2
4,792,040	A *	12/1988	Wagstaff, III	.....	206/223
4,944,340	A *	7/1990	Tortorich	.....	150/167
D341,552	S *	11/1993	Schardt	.....	D12/114
5,282,502	A *	2/1994	Ballard	.....	150/167
5,336,191	A *	8/1994	Davis et al.	.....	604/165.01
D361,977	S *	9/1995	Kahler	.....	D12/402
D373,753	S *	9/1996	Ferguson	.....	D12/402
5,562,139	A *	10/1996	Cseri	.....	150/167

5,676,288	A *	10/1997	Spirk	.....	224/463
D393,445	S *	4/1998	Nicholson	.....	D12/402
6,405,771	B1 *	6/2002	Mote et al.	.....	150/167
D468,257	S *	1/2003	Roby et al.	.....	D12/402
6,718,697	B2 *	4/2004	Voorhees	.....	52/79.4
6,876,297	B2 *	4/2005	Krohn et al.	.....	340/427
D619,939	S *	7/2010	Olsen	.....	D12/133
7,757,734	B2 *	7/2010	Hooker et al.	.....	150/167
2005/0247387	A1 *	11/2005	Hooker et al.	.....	150/167
2009/0167049	A1 *	7/2009	Lariviere	.....	296/98
2011/0036474	A1 *	2/2011	Phillips	.....	150/167
2012/0145292	A1 *	6/2012	Saggau et al.	.....	150/167

\* cited by examiner

*Primary Examiner* — Katrina A Betton

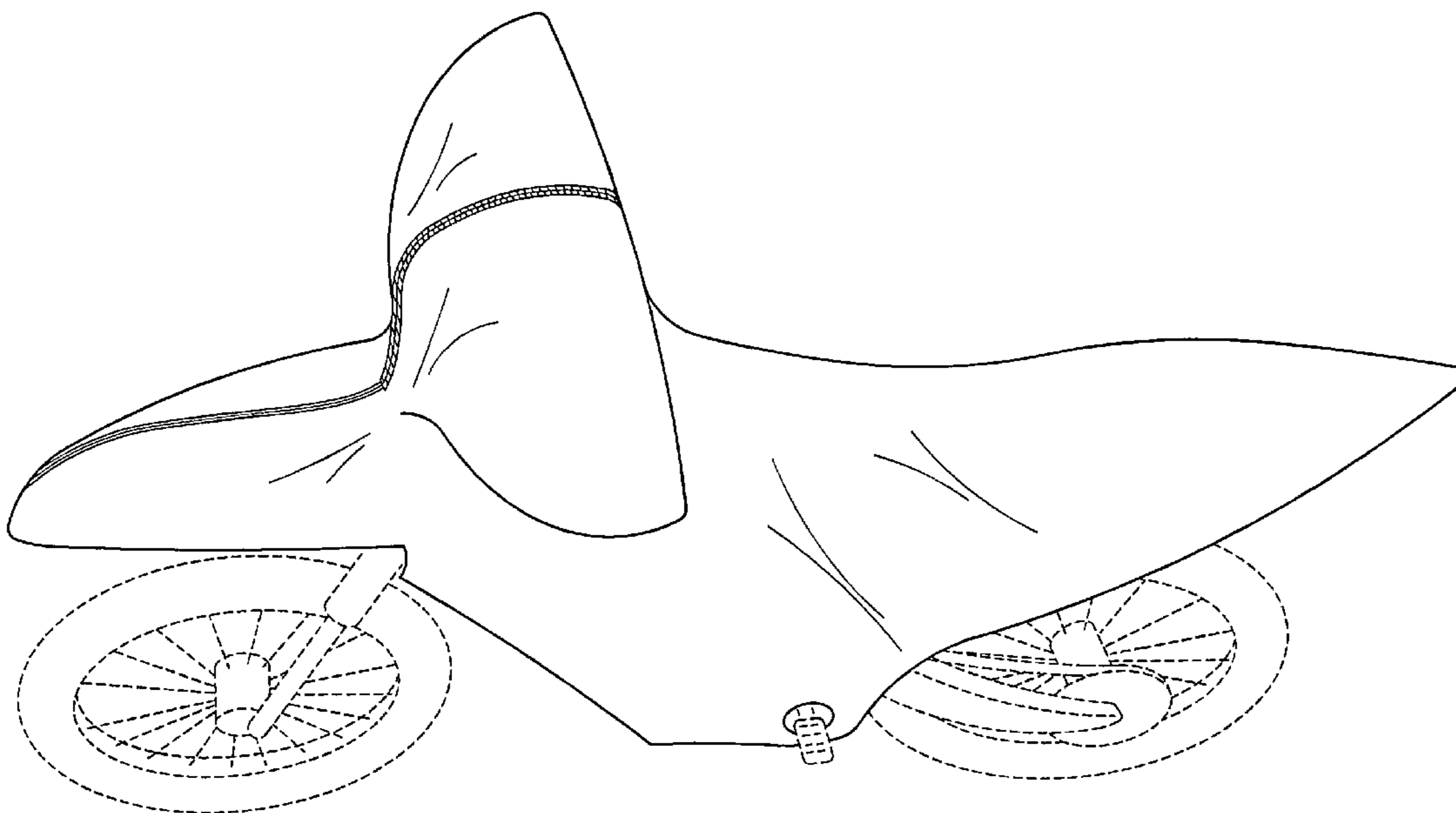
(57) **CLAIM**

The ornamental design for a motorcycle cover, as shown and described.

**DESCRIPTION**

FIG. 1 is a perspective view of a motorcycle cover showing my new design;  
FIG. 2 is a right side view thereof;  
FIG. 3 is a left side view thereof;  
FIG. 4 is a top view thereof;  
FIG. 5 is a bottom view thereof;  
FIG. 6 is a front view thereof; and,  
FIG. 7 is a rear view thereof.  
In the drawing FIG. 1 the broken lines depict a motorcycle and form no part of the claimed design.

**1 Claim, 7 Drawing Sheets**



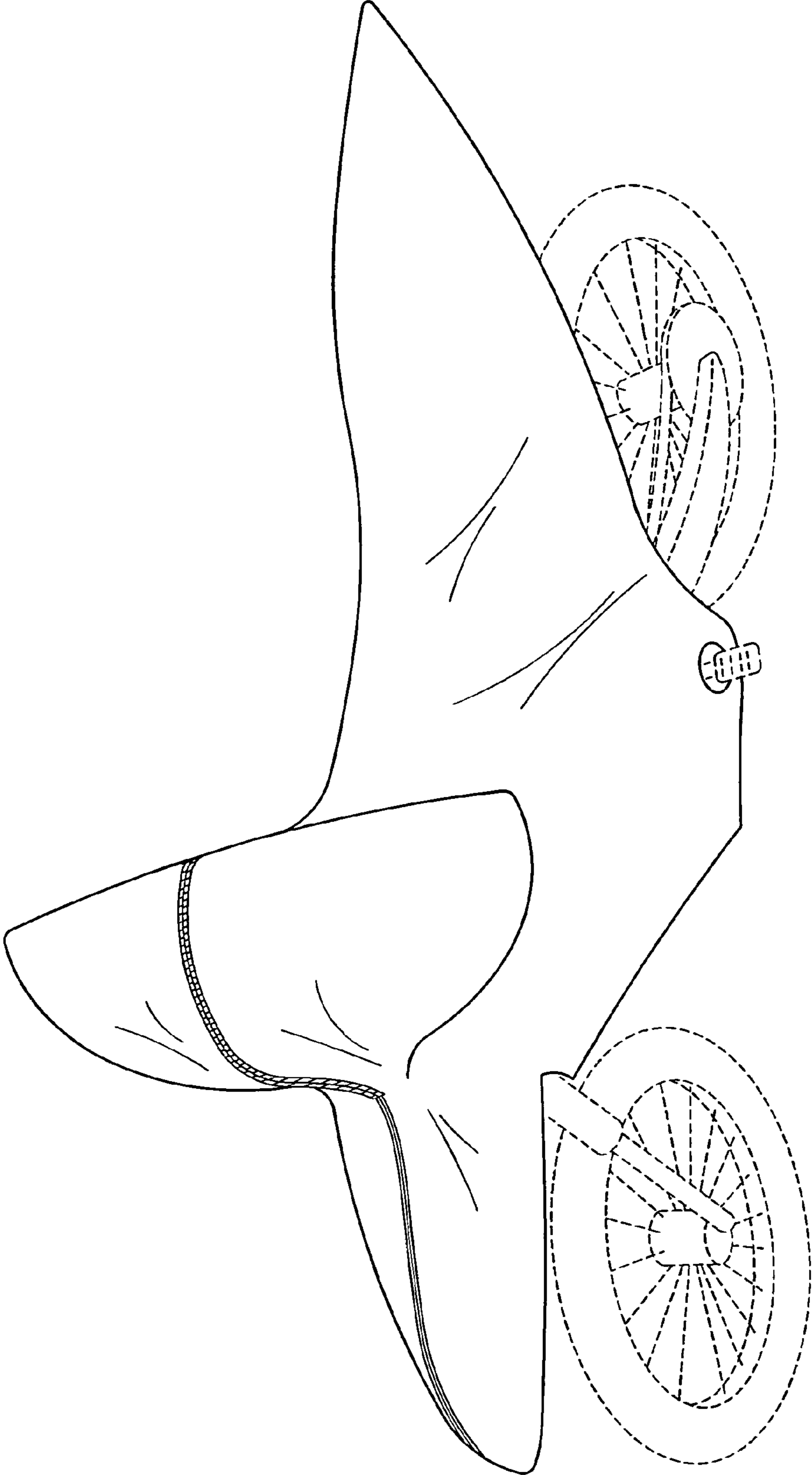


FIG. 1

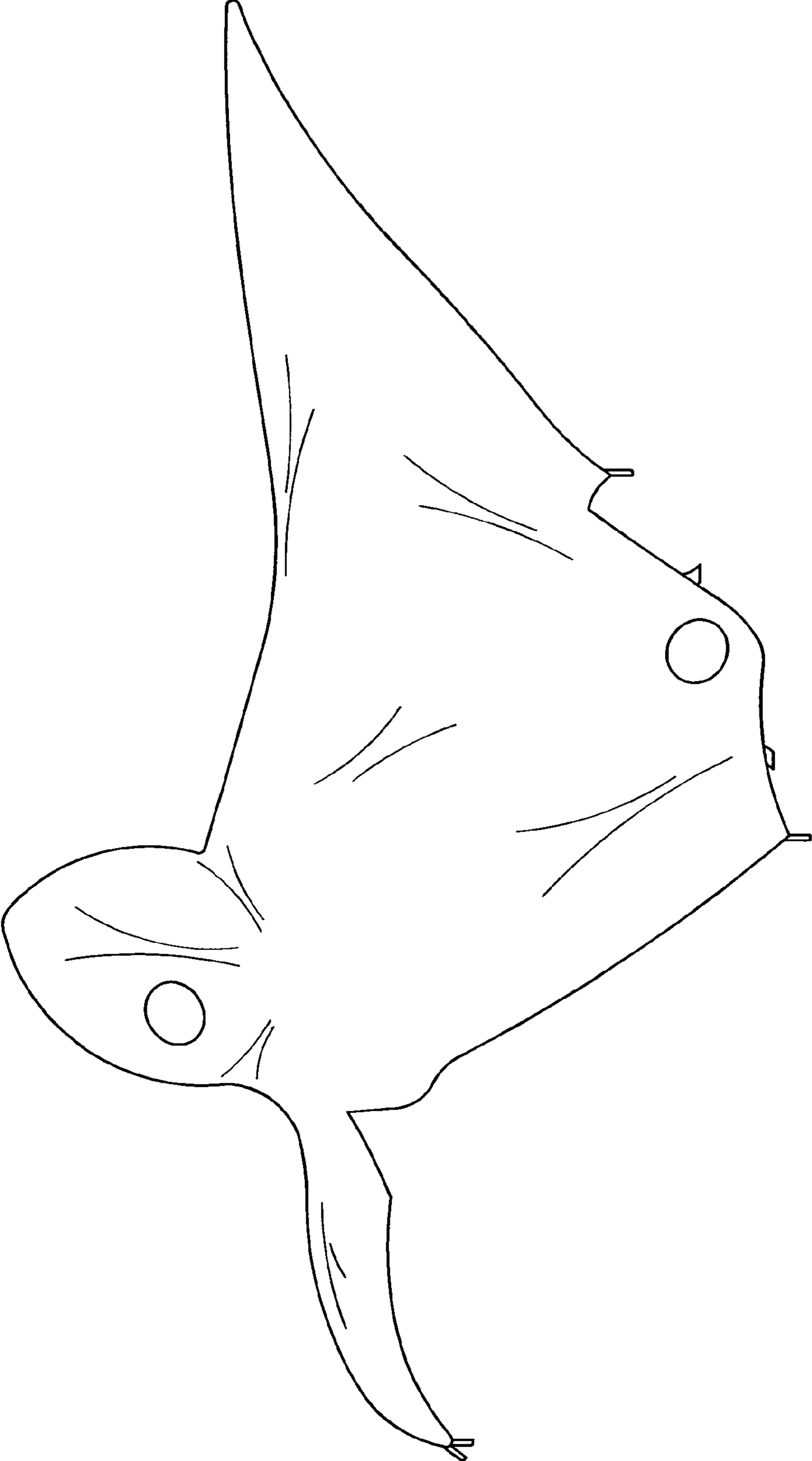


FIG. 2

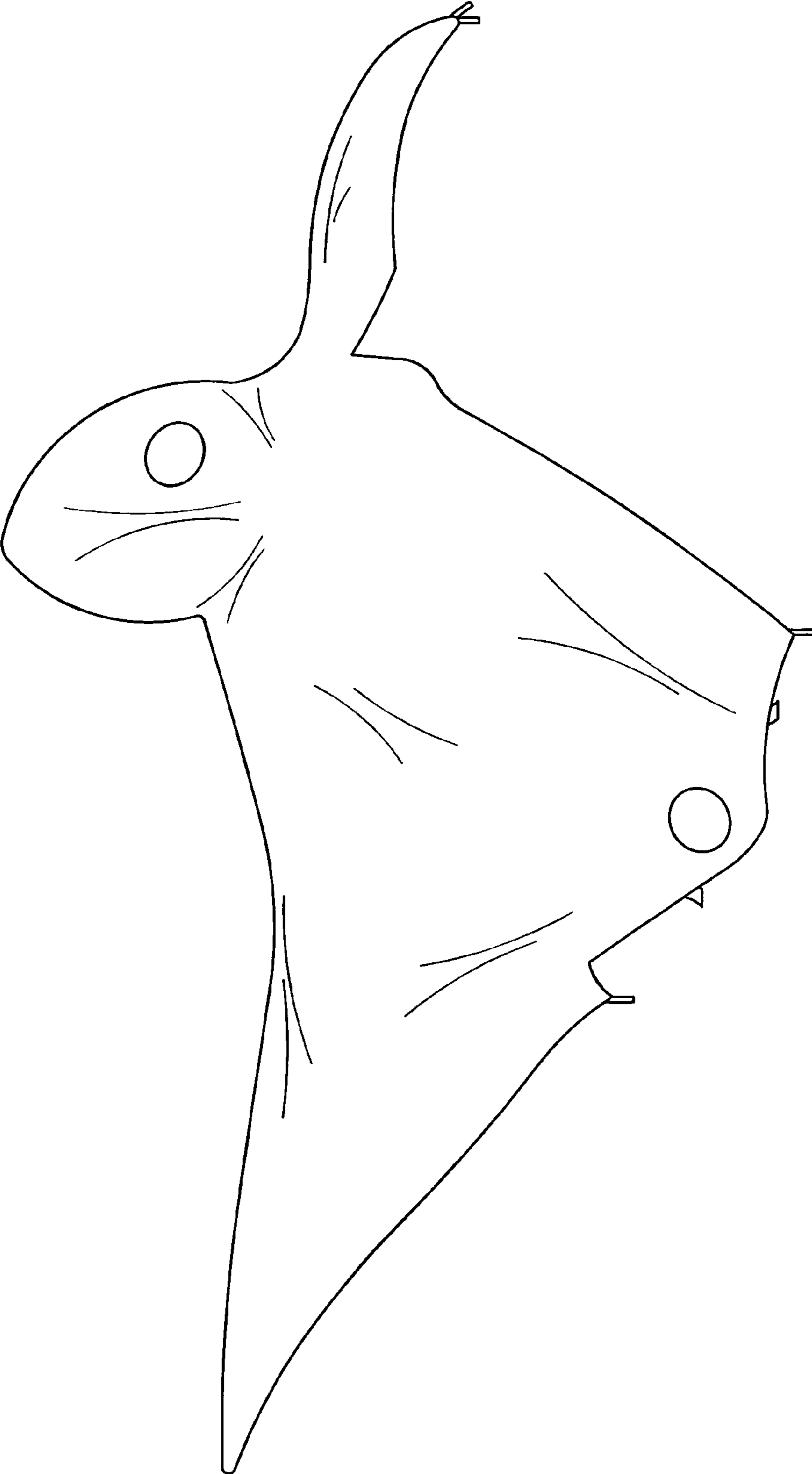


FIG. 3

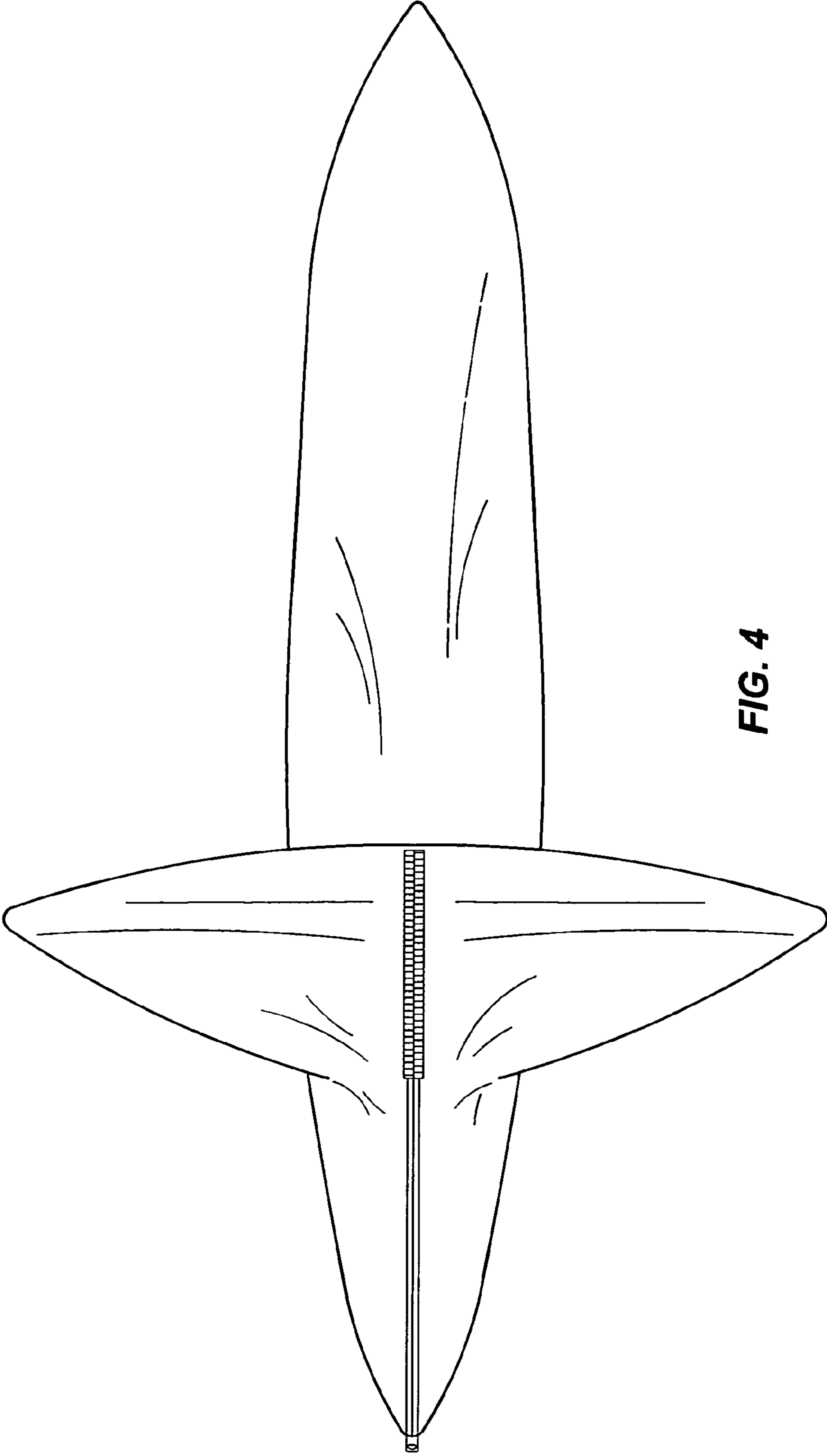


FIG. 4

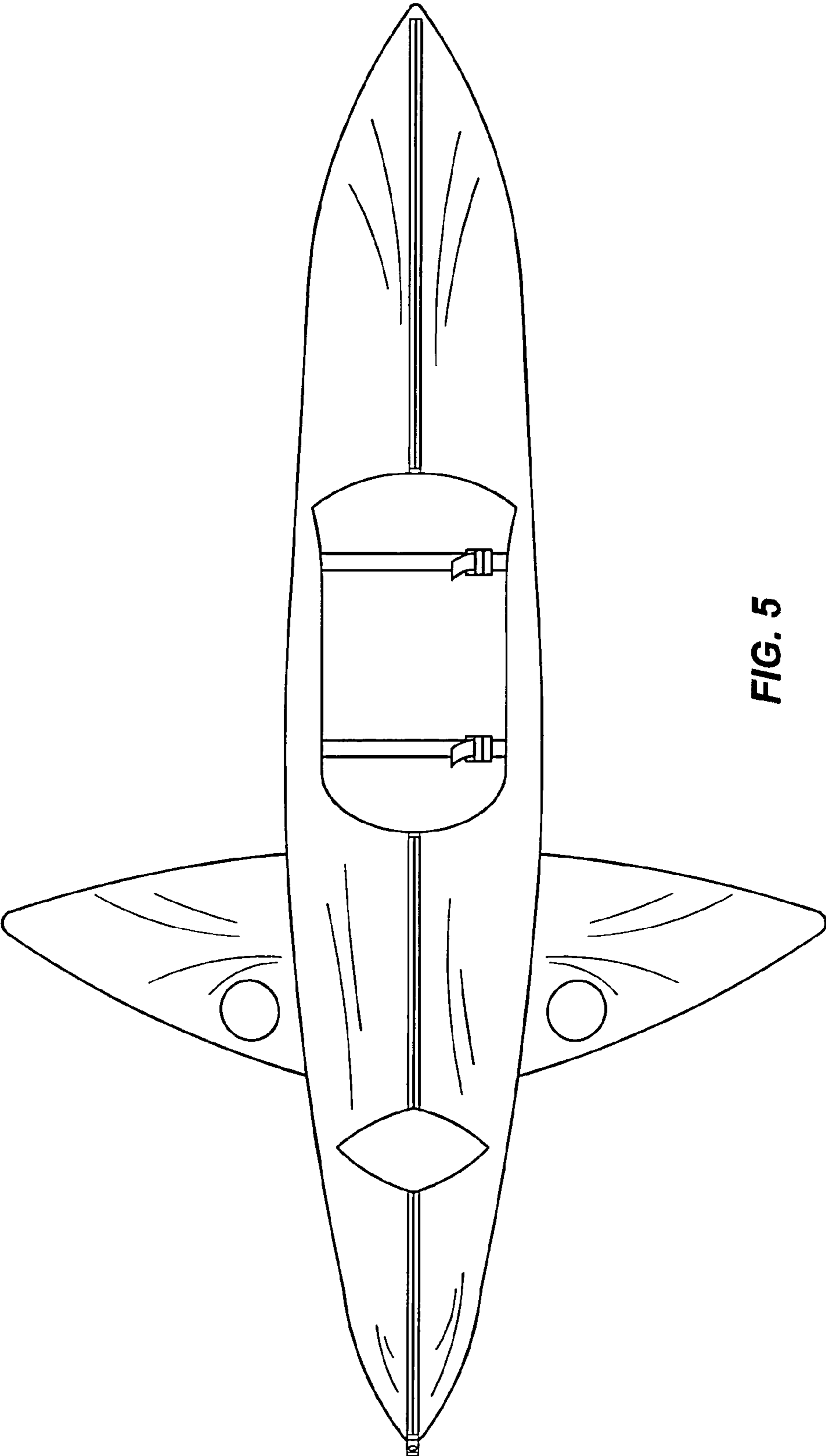
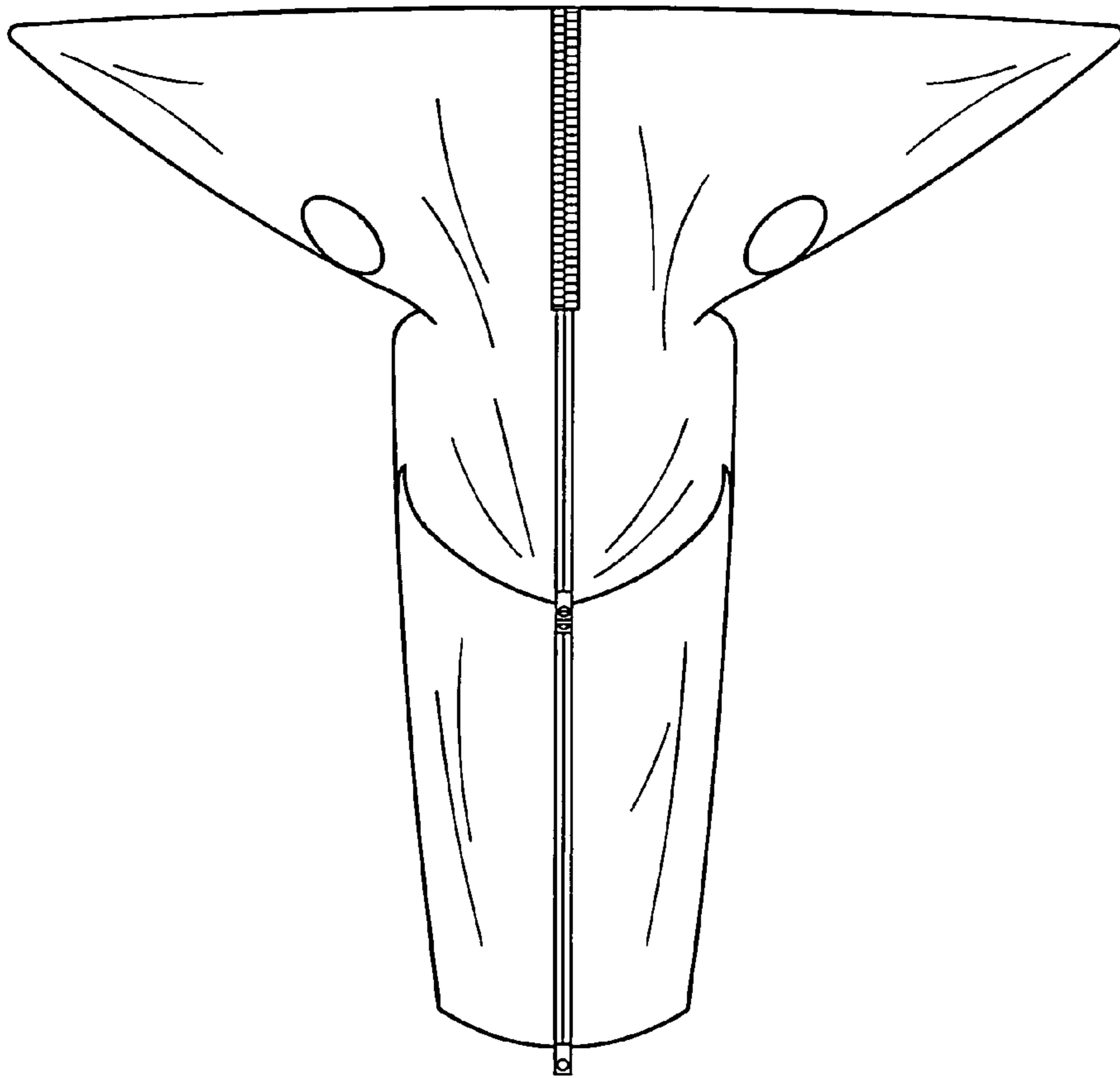
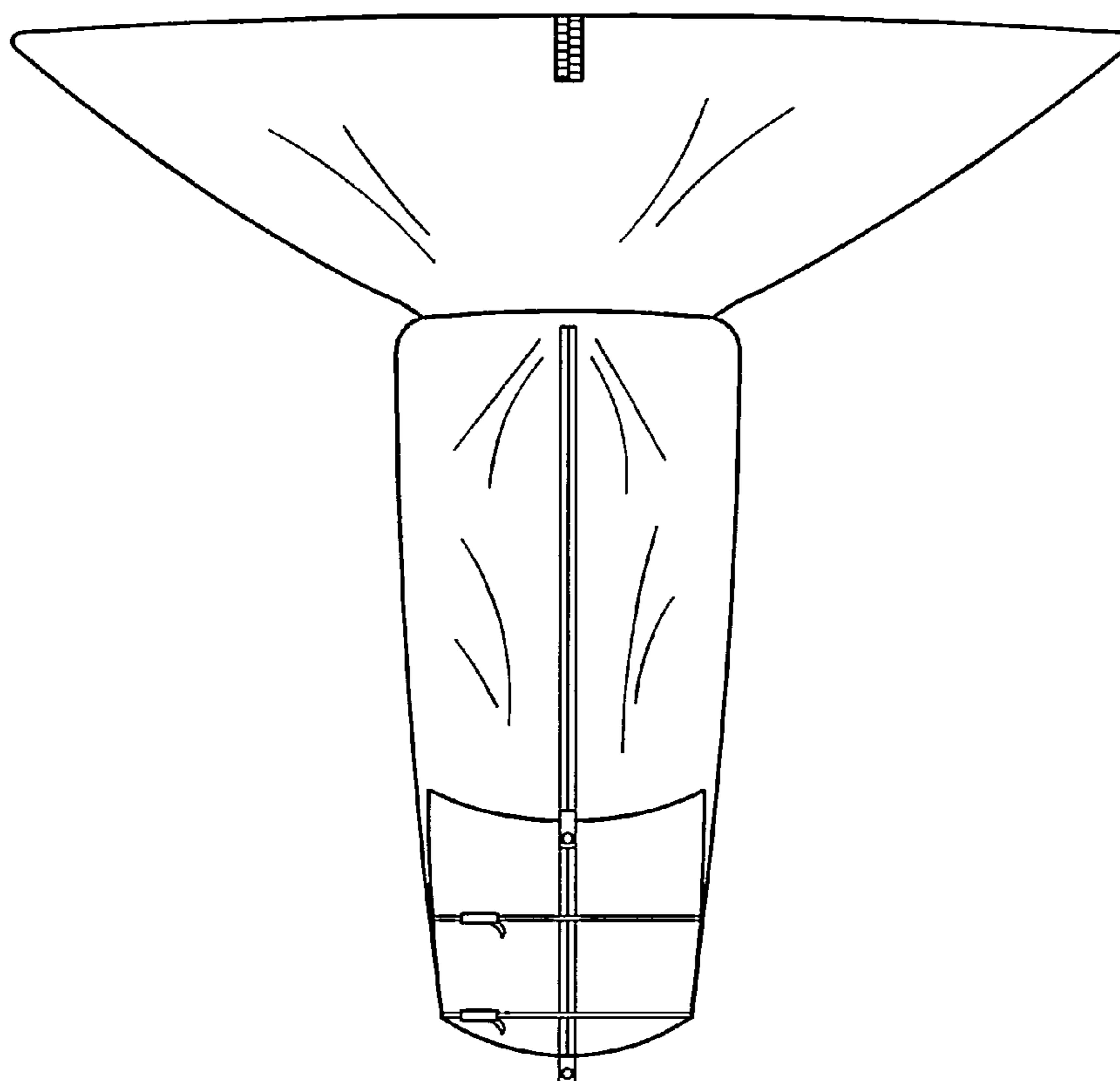


FIG. 5



**FIG. 6**



**FIG. 7**