



US00D688618S

(12) **United States Design Patent**
Bock et al.

(10) **Patent No.:** **US D688,618 S**

(45) **Date of Patent:** **** Aug. 27, 2013**

(54) **GAP COVERING DEVICE FOR AIRCRAFT WALL PANELS**

(75) Inventors: **Thomas Bock**, Grenade (FR); **Michael Auburger**, Erlenmoos (DE); **Patrique Doemeland**, Hamburg (DE); **Brigitte Gerner**, Laupheim (DE); **Florian Schuephaus**, Hamburg (DE); **Silvan Fiedler**, Ulm (DE)

(73) Assignee: **Airbus Operations GmbH**, Hamburg (DE)

(**) Term: **14 Years**

(21) Appl. No.: **29/375,534**

(22) Filed: **Sep. 23, 2010**

Related U.S. Application Data

(63) Continuation of application No. 12/532,343, filed on Mar. 3, 2010, which is a continuation of application No. PCT/EP2008/002353, filed on Mar. 25, 2008.

(30) **Foreign Application Priority Data**

Mar. 22, 2007 (DE) 102007013904

(51) **LOC (9) Cl.** **12-07**

(52) **U.S. Cl.**
USPC **D12/345**

(58) **Field of Classification Search**
USPC D12/317-319, 345, 400, 190, 195,
D12/223; 114/86, 88; 244/131-132, 117 R,
244/119-120, 129.1, 133
See application file for complete search history.

(56) **References Cited**

U.S. PATENT DOCUMENTS

1,549,721	A *	8/1925	Kraft	220/685
4,020,611	A *	5/1977	Amos	52/586.1
4,050,208	A	9/1977	Pompei et al.	
5,695,154	A	12/1997	Castellucci et al.	
7,478,781	B2	1/2009	Granzeier et al.	
2004/0021039	A1	2/2004	Jones	

OTHER PUBLICATIONS

European Patent Office, International Search Report and Written Opinion for PCT/EP2008/002353, Forms PCT/ISA/210, PCT/ISA/220, PCT/ISA/237, mailing date of Oct. 17, 2008.

* cited by examiner

Primary Examiner — Ian Simmons

Assistant Examiner — Dana L Meyrow

(74) *Attorney, Agent, or Firm* — Wood, Herron & Evans, LLP

(57) **CLAIM**

The ornamental design for an gap covering device for aircraft wall panels, as shown and described.

DESCRIPTION

FIG. 1 is a bottom, front, right side perspective view of a gap covering device for aircraft wall panels showing our new design in use.

FIG. 2 is a front elevation view taken along line 2-2 in FIG. 1.

FIG. 3 is a top view taken along line 3-3 in FIG. 1.

FIG. 4 is a rear bottom perspective view of the gap covering device of FIG. 1.

FIG. 5 is a cross-sectional view taken along line 5-5 in FIG. 4.

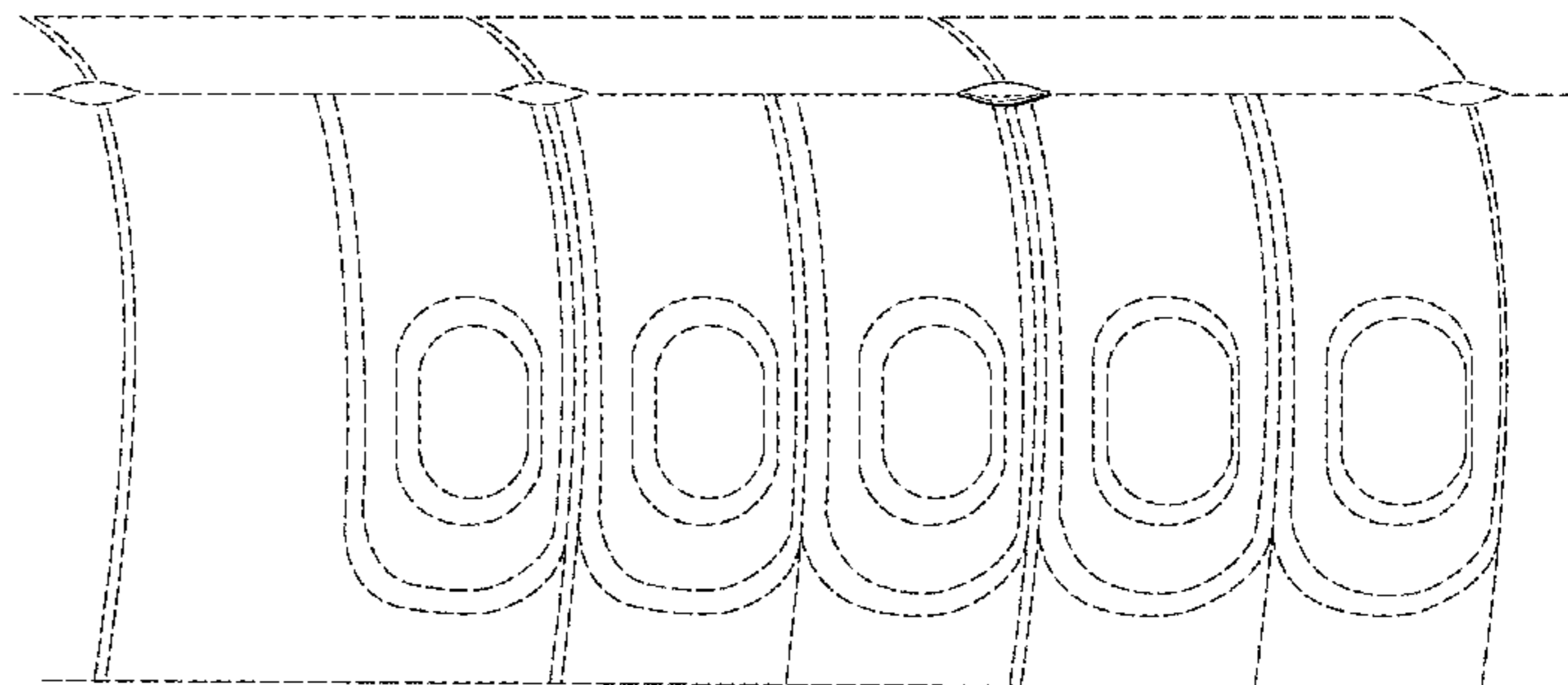
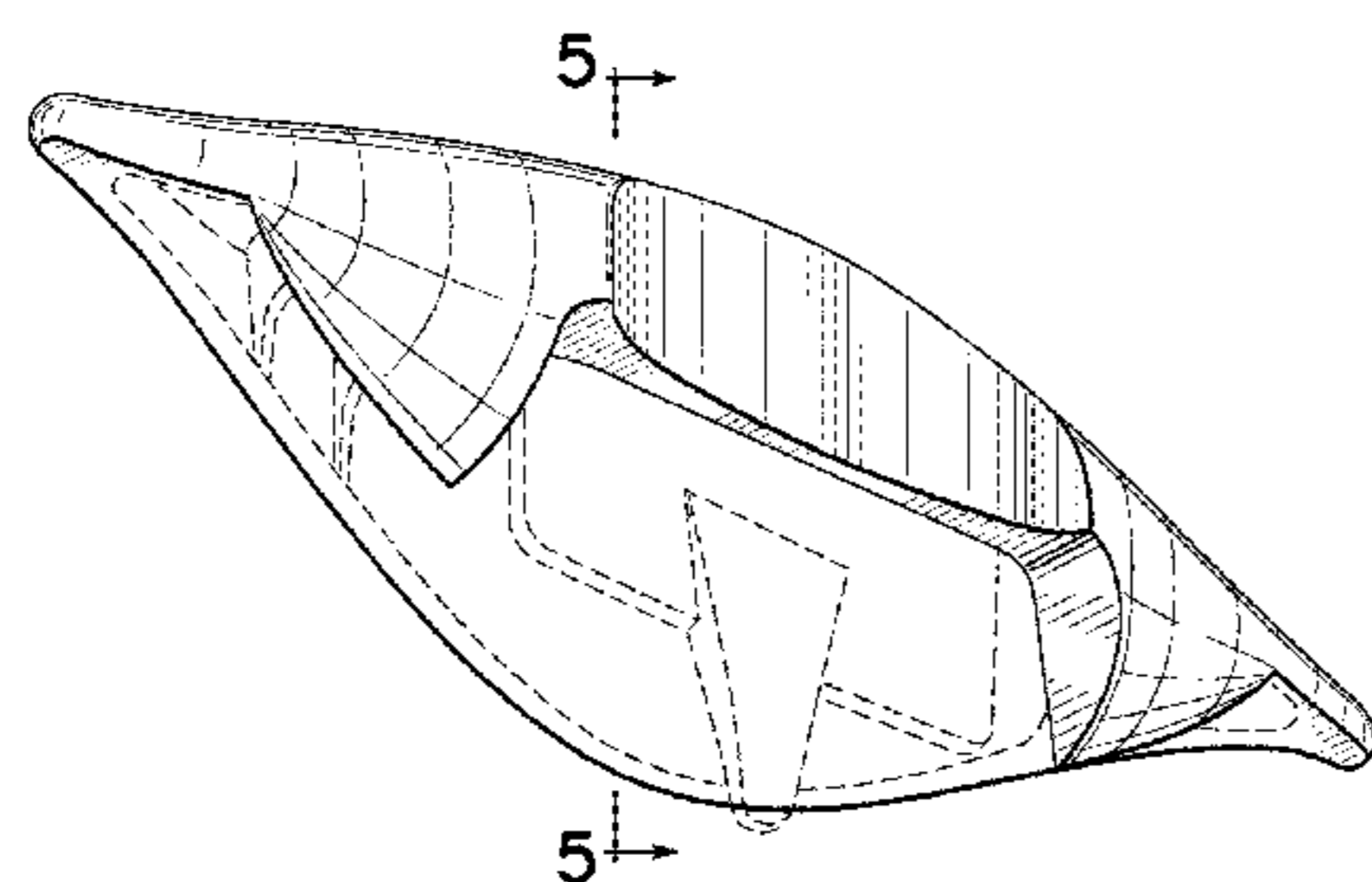
FIG. 6 is a rear top perspective in cross-section along line 5-5 in FIG. 4.

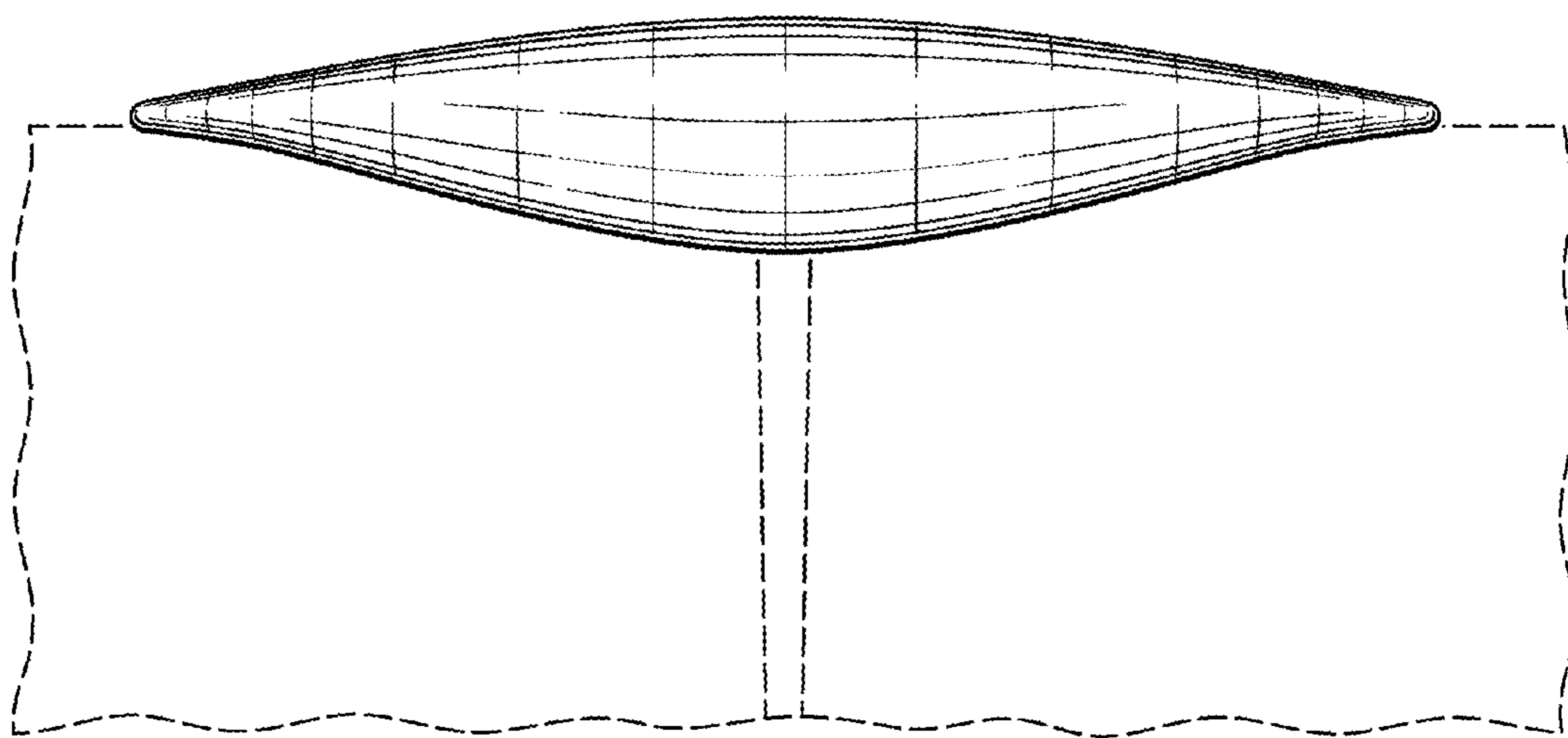
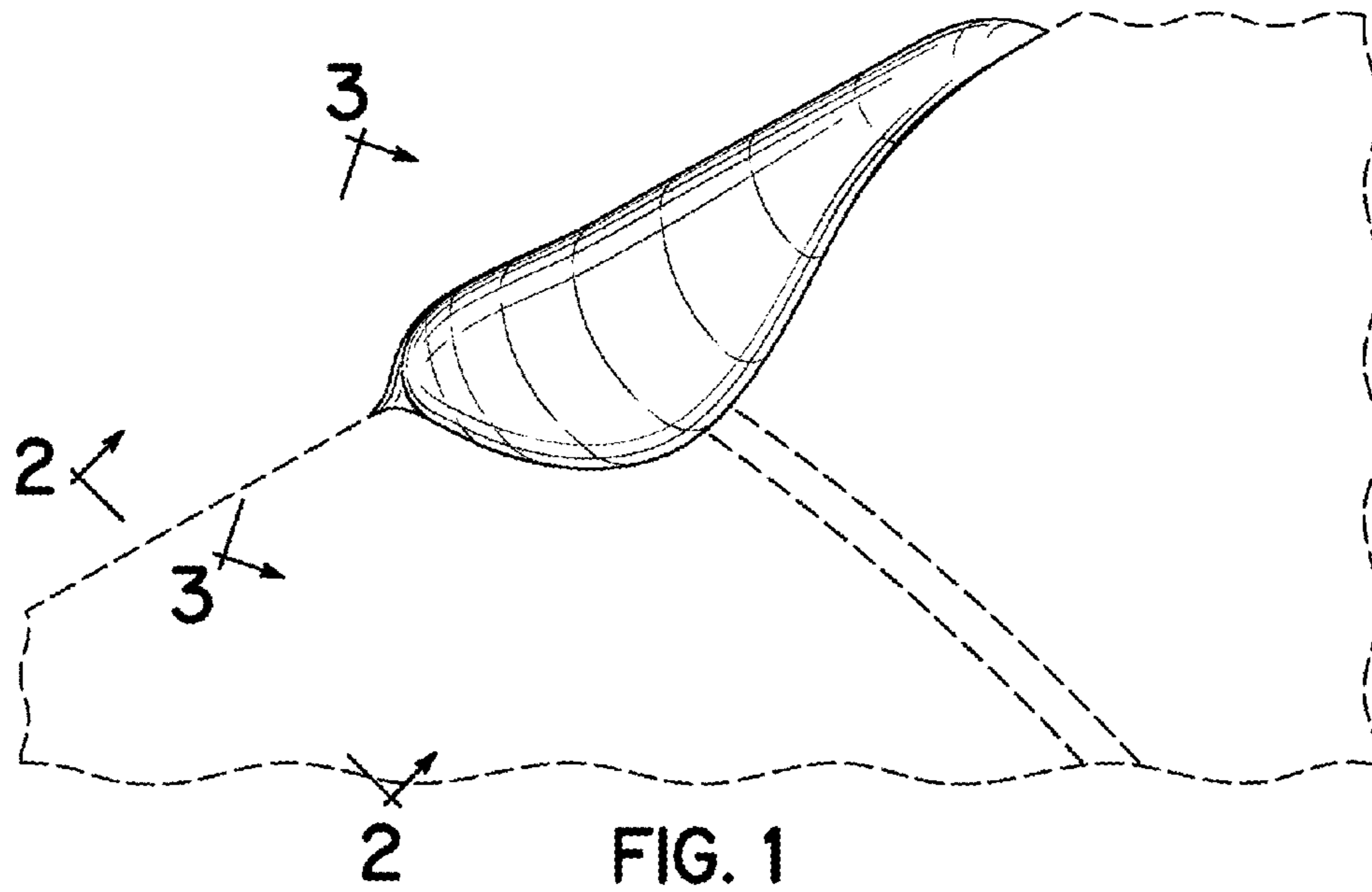
FIG. 7 is a front perspective view of the gap covering device of FIG. 1; and,

FIG. 8 is a perspective view of the gap covering device of FIG. 1 in an airplane cabin shown in broken lines.

The broken lines in the drawings showing a portion of aircraft wall panels illustrate environmental structure and form no part of the claimed design. Also, the non-shown portion of the gap covering device for aircraft wall panels forms no part of the claimed design.

1 Claim, 6 Drawing Sheets





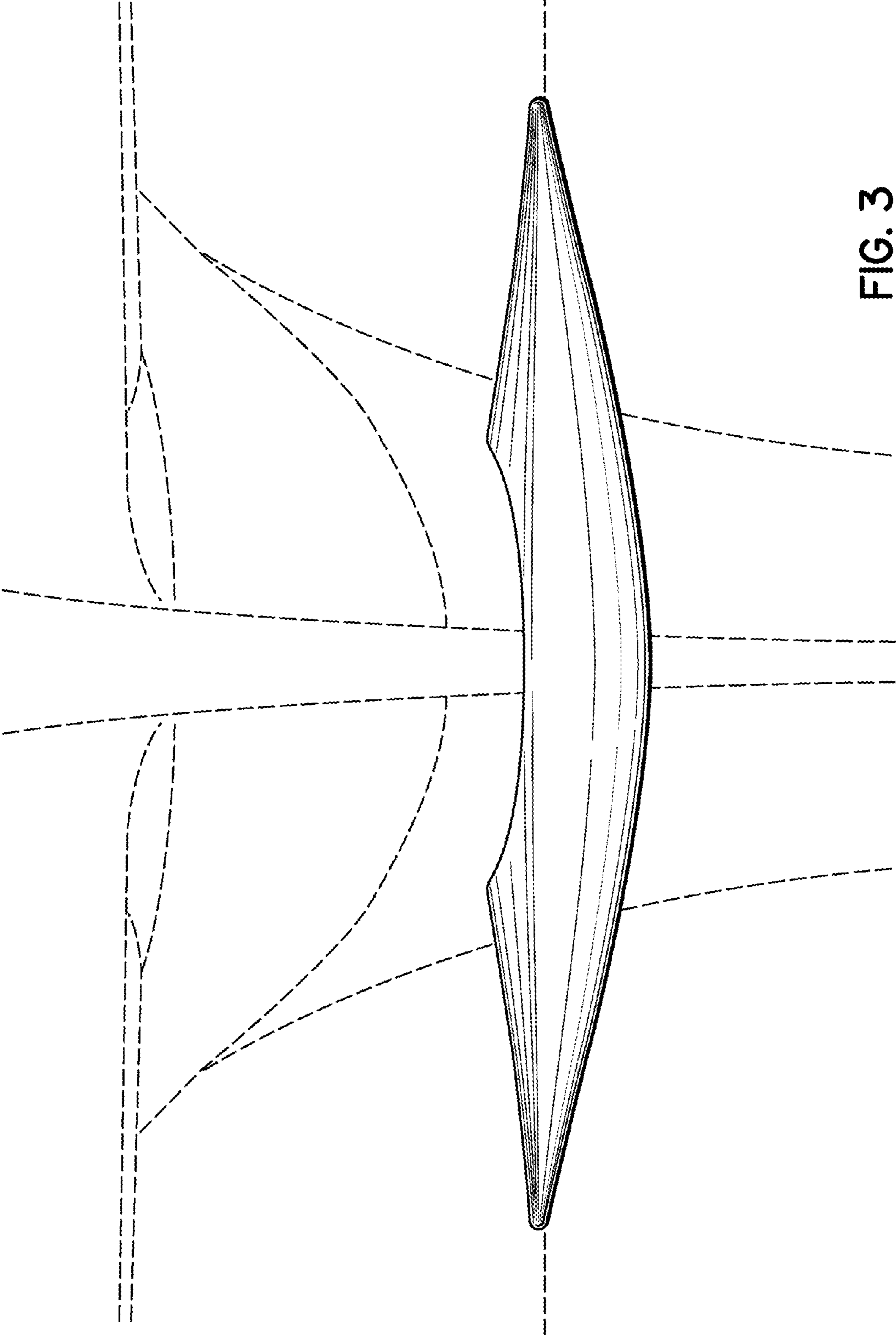


FIG. 3

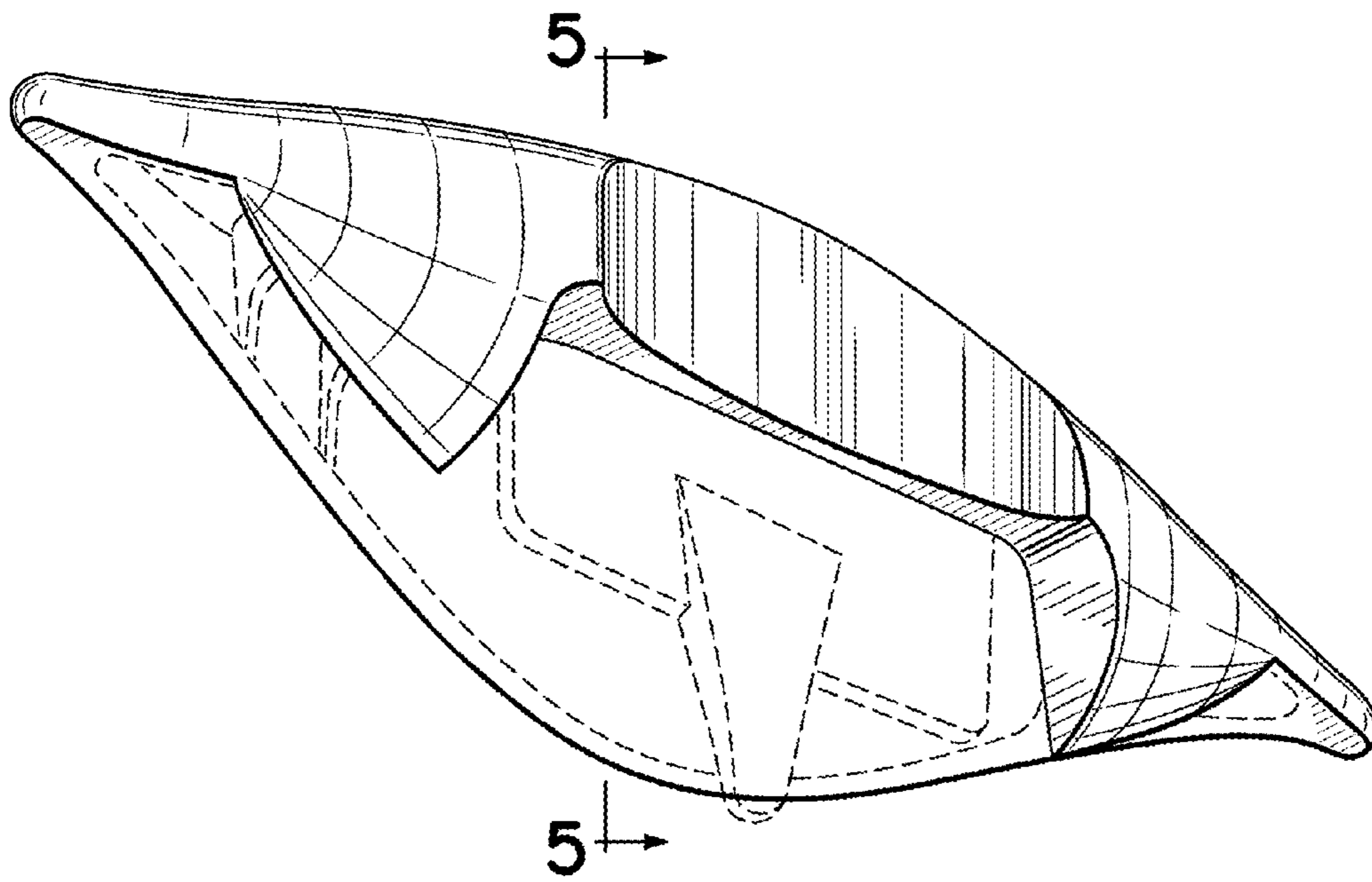


FIG. 4

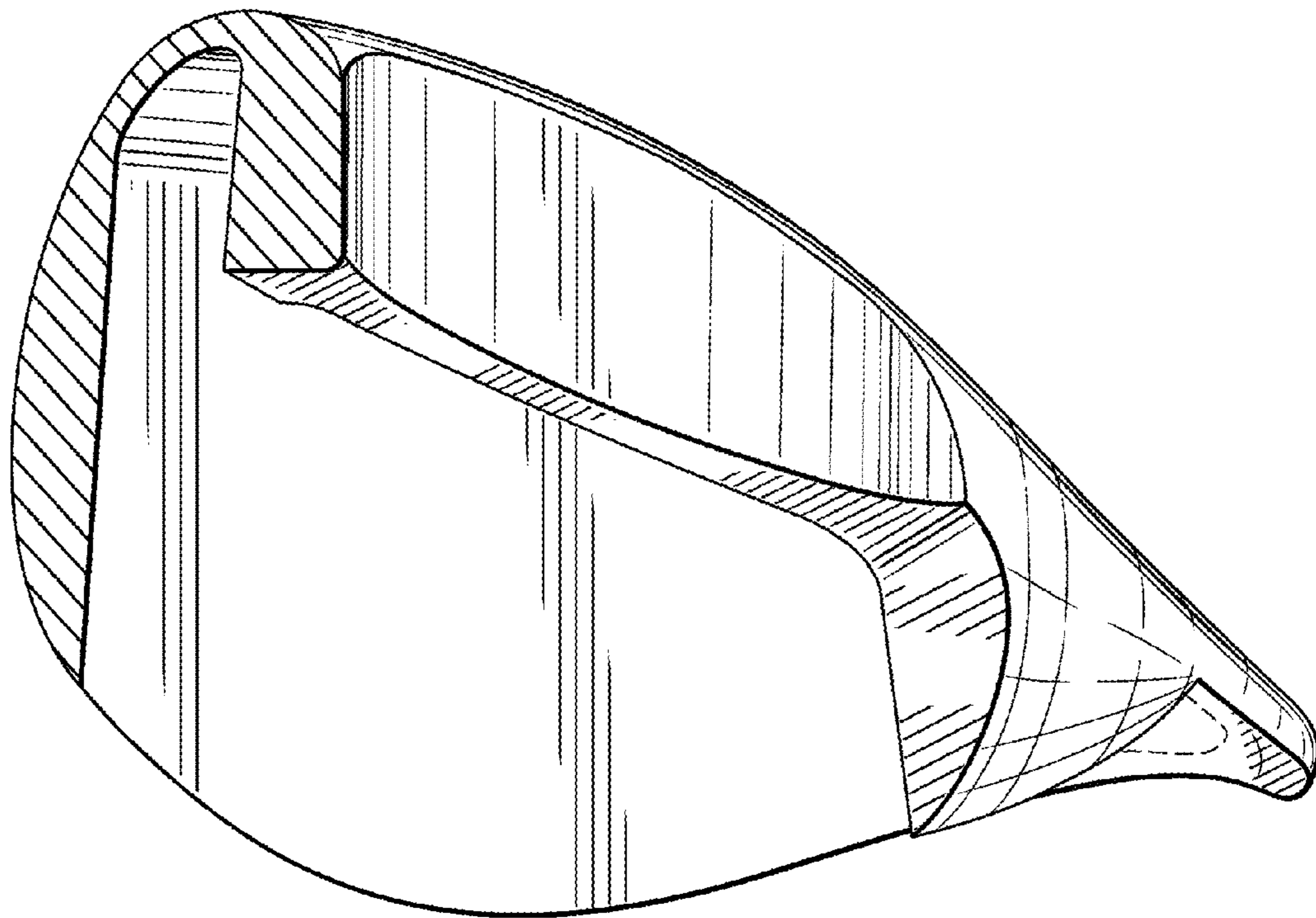


FIG. 5

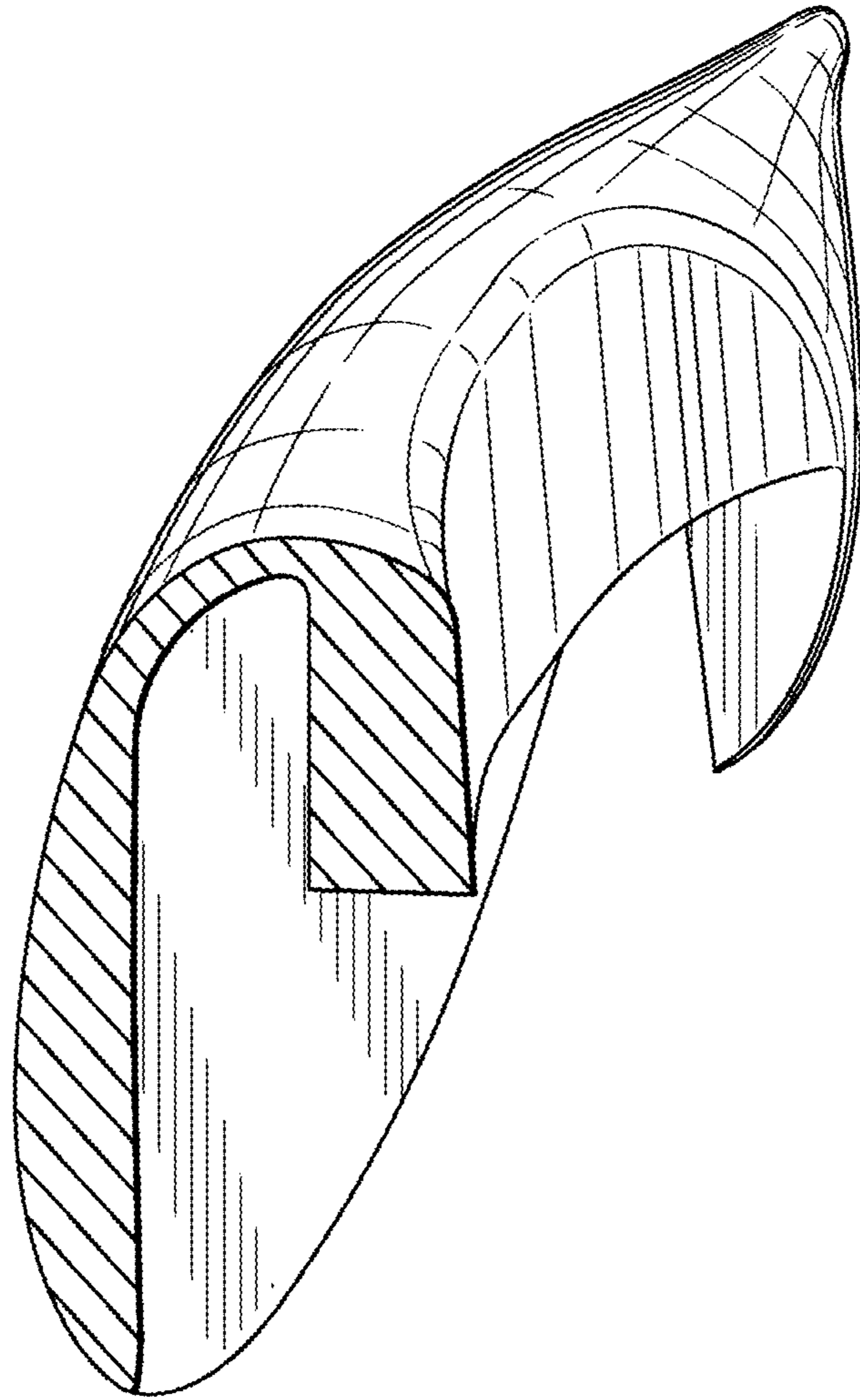


FIG. 6

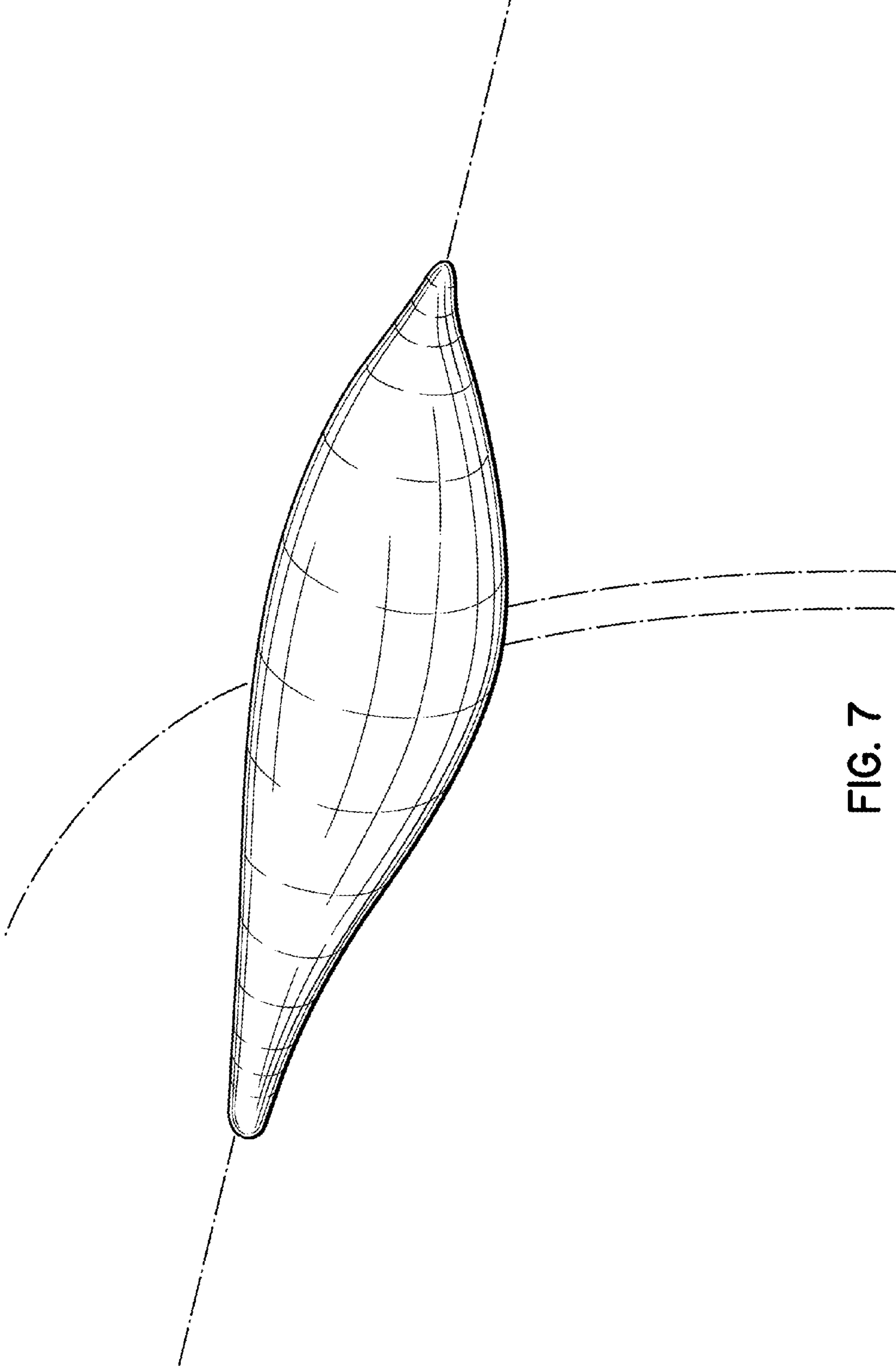


FIG. 7

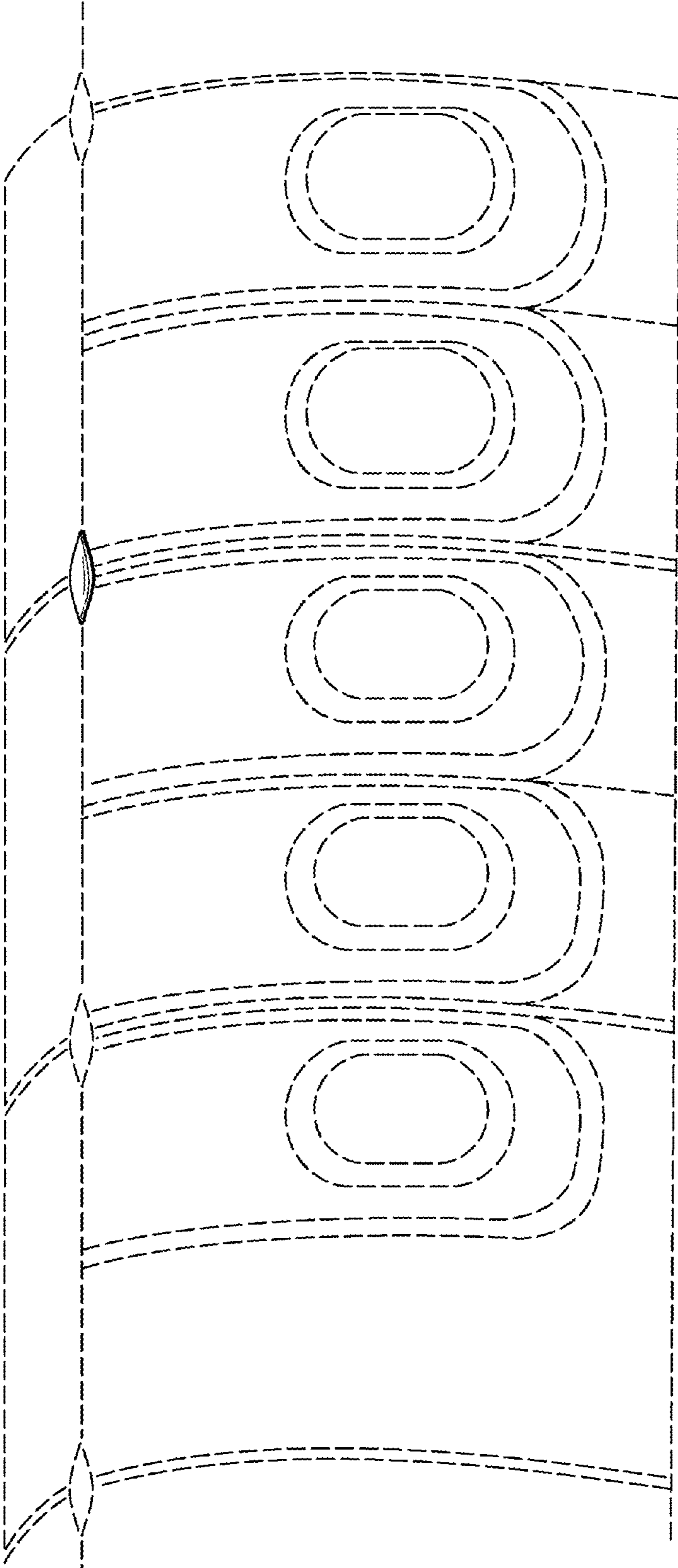


FIG. 8